



# SETUP SHEET



Name: Mini 8IGHT-DB

City: \_\_\_\_\_ State: \_\_\_\_\_

### Front Suspension

Toe: -1 degree

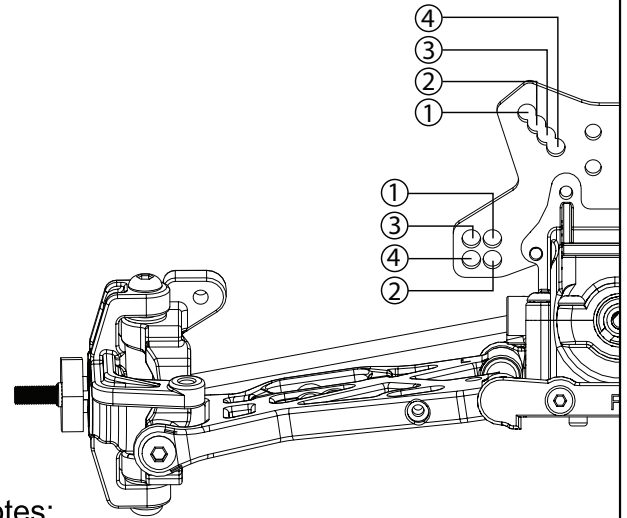
Ride Height: Arms Level

Caster: Stock

Piston/Oil: 3-hole piston/30 wt

Camber Link: Position 2

Shock Location: Position 1/Outside



Notes: \_\_\_\_\_  
\_\_\_\_\_  
\_\_\_\_\_

### Rear Suspension

Toe: 3 degrees

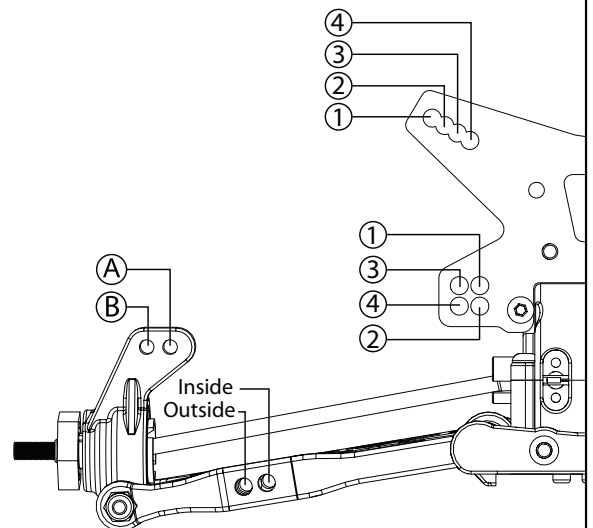
Ride Height: Arms Level

Rear Hub Spacing: Stock

Piston/Oil: 3-hole piston/25 wt

Camber Link: Position 2-B

Shock Location: Position 2/Outside



Notes: \_\_\_\_\_  
\_\_\_\_\_  
\_\_\_\_\_

### Electronics

Motor: Fuze 3800Kv

ESC: TAZER Mini Brushless Waterproof ESC

Battery: 1200mAh 7.2V Ni-MH Gearing: 60T/14T

Optimal Battery: 2000mAh 7.4V 2S Li-Po (Gearing: 60T/14T)

**Notes** For 3s operation 60T/12T is the recommended gearing.  
\_\_\_\_\_  
\_\_\_\_\_  
\_\_\_\_\_



# SETUP SHEET

# MINI 8IGHT-DB

Name: Mini 8IGHT-DB

City: \_\_\_\_\_ State: \_\_\_\_\_

### Front Suspension

Toe: \_\_\_\_\_

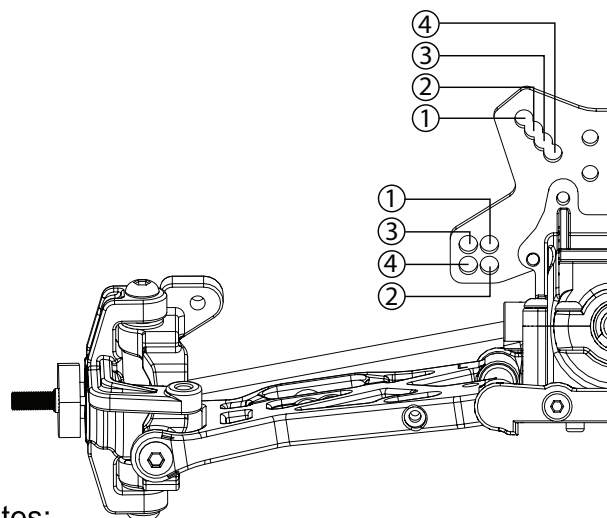
Ride Height: \_\_\_\_\_

Caster: \_\_\_\_\_

Piston/Oil: \_\_\_\_\_

Camber Link: \_\_\_\_\_

Shock Location: \_\_\_\_\_



Notes: \_\_\_\_\_

\_\_\_\_\_

\_\_\_\_\_

### Rear Suspension

Toe: \_\_\_\_\_

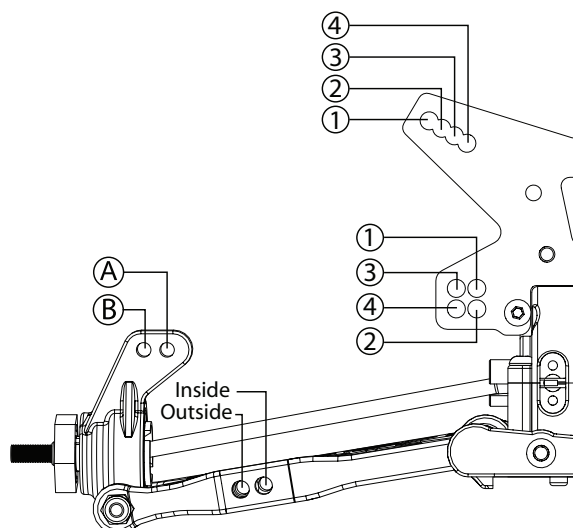
Ride Height: \_\_\_\_\_

Rear Hub Spacing: \_\_\_\_\_

Piston/Oil: \_\_\_\_\_

Camber Link: \_\_\_\_\_

Shock Location: \_\_\_\_\_



Notes: \_\_\_\_\_

\_\_\_\_\_

\_\_\_\_\_

### Electronics

Motor: \_\_\_\_\_

ESC: \_\_\_\_\_

Battery: \_\_\_\_\_ Gearing: \_\_\_\_\_

Optimal Battery: \_\_\_\_\_

### Notes

\_\_\_\_\_

\_\_\_\_\_

\_\_\_\_\_



[WWW.LOSI.COM](http://WWW.LOSI.COM)

49970

Created 2/2017 LOS01009T1/T2

©2017 Horizon Hobby, LLC.

Losi, 8IGHT, DSM, DSM2, DSMR, Dynamite, Fuze, Tazer, EC3, and the Horizon Hobby logo are trademarks or registered trademarks of Horizon Hobby, LLC.

The Spektrum trademark is used with permission of Bachmann Industries, Inc. All other trademarks, service marks and logos are property of their respective owners.