

Replacement Parts // Teileliste // Liste des pièces de rechange // Elenco dei ricambi

Part #	English	Deutsch	Français	Italiano
DYN4955	Fuze 130A Sensorless Brushless WP ESC	Fuze 130A Sensorless Brushless ESC spritzwassergeschützt	Contrôleur Fuze Brushless 130A étanche	ESC brushless waterproof Fuze 130 A senza sensori
DYNS1616	Fuze 550BL Motor, 3800Kv	Fuze 550BL Motor, 3800Kv	Moteur Fuze Brushless 550, 3800Kv	Motore brushless Fuze 550, 3800 Kv
LOSA3573	1.0 Module Pitch Pinion, 13T	Ritzel Modul 1, 13T	Pignon modulaire 1.0, 13 dents	Pignone a passo modulare 1.0, 13 denti
LOSA6250	Set Screws, 4mm & 5mm (6 ea)	Madenschrauben 4 & 5 mm (je 6)	Vis, 4mm et 5mm (6 chacun)	Grani, 4 mm e 5 mm (6 cad.)
LOSA6937	5x10mm Sealed Ball Bearing (2)	Kugellager, gekapselt 5 x10mm	Roulements à billes scellés 5x10mm (2)	Cuscinetto a sfere sigillato 5x10 mm (2)
LOSA6940	6x12mm Sealed Ball Bearing (4)	Kugellager, gekapselt 6 x12mm (4)	Roulements à billes scellés 6x12mm (4)	Cuscinetto a sfere sigillato 6x12 mm (4)
LOSA6956	12x18x4mm Sealed Ball Bearing (2)	Kugellager gekapselt 12 x18x 4mm	Roulements à billes scellés 12x18x4mm (2)	Cuscinetto a sfere sigillato 12x18x4 mm (2)
LOSA6957	10x 15x4mm Bearing	Kugellager 5 x 10 x 4mm (2)	Roulements 5 x 10 x 4mm (2)	10x15x4mm Cuscinetti 5 x 10 x 4mm (2)
LOSB3008	3x6x2.5mm Ball Bearing (2)	Kugellager, 3x6x2.5mm (2)	Roulements à billes 3x6x2.5mm (2)	Cuscinetto a sfere 3x6x2,5 mm (2)
LOS230010	Roll Cage Sides L&R: Baja Rey	Überrollbügelteile links und rechts: Baja Rey	Baja Rey - Faces latérales gauche et droite de l'arceau cage	Parti laterali roll cage D&S: Baja Rey
LOS230011	Top Bar, X-Bar,Cover & Tire Mount: Baja Rey	Obere Abdeckung, X-Abdeckung: Baja Rey	Baja Rey - Barre supérieure, Barre X, protection et support pneu	Barra superiore, barra a X, copertura e supporto gomma: Baja Rey
LOS230012	Fr Bar, RR Body Mnt Bar, Bumper, Tower Support: Baja Rey	Karosserieteile hinten Stoßfänger: Baja Rey	Baja Rey - Barre avant, barre de support de carrosserie arrière, support	Barra ant., barra supporto carrozz. post., paraurto, montante torretta: Baja Rey
LOS230013	Body Button Base & Top (22): Baja Rey	Body Button Base & Top (22): Baja Rey	Baja Rey - Anneaux de protection de carrosserie (22)	Body Button Base & Top (22): Baja Rey
LOS230020	Interior Set with Helmets, Clear: Baja Rey	Interiorset mit Helmen, transparent: Baja Rey	Baja Rey - Décoration intérieure avec casques, transparente	Set interni con caschi, trasparente: Baja Rey
LOS230026	Sticker Sheet: Baja Rey	Sticker Bogen: Baja Rey	Feuille d'autocollants: Baja Rey	Adesivi: Baja Rey
LOS231005	Rear Bulkhead,Fan Panel, Mudguards: Baja Rey	Lüfterpanel, Schmutzfänger: Baja Rey	Baja Rey - Cloison arrière, ventilateur et bavettes	Paratia post., fan panel, parafango: Baja Rey
LOS231006	Battery Tray,Door, Lock, 2S Spacer: Baja Rey	Akkuhalter und Klappe, 2S Distanzstück: Baja Rey	Baja Rey - Support batterie, trappe, verrou et cales 2S	Vano batteria, portello, chiusura, distanziale 2S: Baja Rey
LOS231007	Front Upper Arm/Shock Mount, RR Chassis Brace: Baja Rey	Stoßdämpferbefestigung hinten mit Chassishalter: Baja Rey	Baja Rey - Triangle supérieur/fixation d'amortisseur avant, renfort arrière de châssis	Braccetto superiore ant. / supporto ammortizz., trapezio post.: Baja Rey
LOS231008	Servo Mount, Steering Servo Set Plastic: Baja Rey	Servohalter: Baja Rey	Baja Rey - Support servo, servo de direction plastique	Supporto servo, set servo sterzo in plastica: Baja Rey
LOS231010	Chassis Plate & Motor Cover Plate: Baja Rey	Chassisplatte und Motorabdeckung: Baja Rey	Baja Rey - Platine de châssis et couvercle moteur	Piastra telaio & piastra copertura motore: Baja Rey
LOS231011	Center Chassis Brace & Standoffs: Baja Rey	Chassishalter und Distanzstücke: Baja Rey	Baja Rey - Renfort central de châssis et entretoises	Montanti telaio centrali con distanziali: Baja Rey
LOS231012	Motor Mount: Baja Rey	Motorhalter: Baja Rey	Baja Rey - Support moteur	Supporto motore: Baja Rey
LOS231013	Steering Hardware Set: Baja Rey	Zubehörsset Lenkung: Baja Rey	Baja Rey - Set d'accessoires de direction	Set hardware sterzo: Baja Rey
LOS232001	Axle Housing Set; Rear: Baja Rey	Achsgehäuse set hinten: Baja Rey	Baja Rey - Carter de pont arrière	Set alloggiamento asse posteriore: Baja Rey
LOS232002	Center Transmission Housing: Baja Rey	Achsgehäuse mitte: Baja Rey	Baja Rey - Boîtier de transmission centrale	Scatola trasmissione centrale: Baja Rey
LOS232003	Front Gear Box/Bulkhead: Baja Rey	Getriebegehäuse mit Halter: Baja Rey	Baja Rey - Set de carters de transmission avant/Cellule	Scatola ingranaggio anteriore / paratia: Baja Rey
LOS232004	HD Diff Housing & Internals: Baja Rey	Differentialgehäuse mit Einsätzen: Baja Rey	Baja Rey - Corps de différentiel renforcé et éléments internes	Scatola diff. HD ed parti interne: Baja Rey
LOS232005	Rear Driveshaft Set: Baja Rey	Antriebswelle hinten: Baja Rey	Baja Rey - Tiges de cardans arrière	Set trasmissione posteriore: Baja Rey
LOS232006	Hex, Rotor, Caliper & Pin Set (4): Baja Rey	Scheibenbremse mit Bremssattel Vorne/Hinten: Baja Rey	Baja Rey - Hexagone, rotor, mâchoires et goupilles	Set esagone, rotore, spessore e perno: Baja Rey
LOS232007	Center Transmission Gear Set: Baja Rey	Getriebebet Mitte: Baja Rey	Baja Rey - Set de pignons de transmission centrale	Set ingranaggio trasmissione centrale: Baja Rey
LOS232008	40T Ring & 14T Pinion Gear FR/RR: Baja Rey	Stirnrad 40 Zähne & 14 er Ritzel: Baja Rey	Baja Rey - Anneau 40T et Pignon 14T avant/arrière	40T ingranaggio & 14T pignone ant./post.: Baja Rey
LOS232009	Front Axle Set (2): Baja Rey	Vorderachsenset (2): Baja Rey	Baja Rey - Axe de roues avant (2)	Set asse anteriore: Baja Rey
LOS232010	Center Drive Shaft: Baja Rey	Antriebswelle Mitte: Baja Rey	Baja Rey - Cardan central	Albero di trasmissione centrale: Baja Rey
LOS232011	Rear Diff Locker: Baja Rey	Differentialsperre hinten: Baja Rey	Baja Rey - Verrou de diff arrière	Diff. locker posteriore: Baja Rey
LOS232012	Center Outdrive Set: Baja Rey	Antriebsklaue mitte: Baja Rey	Baja Rey - Set de noix de cardans centraux	Set trascintore centrale: Baja Rey
LOS232013	Front Outdrive Set: Baja Rey	Antriebsklaue vorne: Baja Rey	Baja Rey - Set de noix de cardans avant	Set trascintore anteriore: Baja Rey
LOS232014	Rear Axle Shaft Set: Baja Rey	Hinterachsewellenset: Baja Rey	Baja Rey - Axe de roues arrière	Set semiasse posteriore: Baja Rey
LOS233001	Shock Ends, Tops, Piston: Baja Rey	Stoßdämpferendeteile, Kolben: Baja Rey	Baja Rey - Chapes d'amortisseurs, bouchons supérieurs et pistons	Terminali, tappi, pistoni ammortizz.: Baja Rey
LOS233002	FR/RR Shock Body & Collar Set: Baja Rey	Stoßdämpfergehäuse, Distanzringe v/h: Baja Rey	Baja Rey - Corps d'amortisseurs avant/arrière avec bague	Corpo ammortizz. ant./post & collarino
LOS233003	FR/RR Shock Shaft Set & Hardware: Baja Rey	Dämpfer Kolbenstange mit Zubehör: Baja Rey	Baja Rey - Tiges d'amortisseurs avant/arrière avec visserie	Stelo ammortizz. ant./post e hardware: Baja Rey
LOS233004	FR/RR Shock Seal & Limiter Set: Baja Rey	Stoßdämpferdichtung und Begrenzer: Baja Rey	Baja Rey - Joint d'amortisseurs avant/arrière avec limiteur	Set guarnizione ammortizz. ant./post. e limitatore: Baja Rey
LOS233005	Front and Rear Spring Set: Baja Rey	Dämpferfedern v/h: Baja Rey	Baja Rey - Ressort avant/arrière	Set molle ant./post.: Baja Rey
LOS234002	Shock Tower, Upper/Track Rod Mounts, Rear: BR	Dämpferbrücke hinten: Baja Rey	Baja Rey - Support d'amortisseurs, tirants	Torretta ammortizz., supporti tirante sterzo superiore post.: Baja Rey
LOS234003	Trailing Arm, Steering, Upper, Drag Link St: BR	Lenkgestänge: Baja Rey	Baja Rey - Tringlerie de direction supérieure	Braccetto longitudinale, sterzo, superiore, tirante sterzo: Baja Rey
LOS234004	Front Suspension Arm Set Upper/Lower: Baja Rey	Querlenkerkerse unten: Baja Rey	Baja Rey - Bras de suspension avant supérieur et inférieur	Set braccetti sospensione ant. inferiore/ superiore: Baja Rey
LOS234005	Steering Spindle Set & Hardware: Baja Rey	Lenkspindelset: Baja Rey	Baja Rey - Set de fusées et visserie	Set fusello sterzo e hardware:
LOS234006	Front & Rear Sway Bar Links: Baja Rey	Querlenkerverbinder vorne: Baja Rey	Baja Rey - Tringlerie barre anti-roulis avant/arrière	Collegamenti barra antitorzione ant./post.: Baja Rey
LOS234007	Front Hinge Pins & Brace Set: Baja Rey	Querlenkerstifte und Halter: Baja Rey	Baja Rey - Renfort de cellule avant	Perni braccetti ant. e set piastine

Replacement Parts // Teileliste // Liste des pièces de rechange // Elenco dei ricambi

Part #	English	Deutsch	Français	Italiano
LOS234008	7mm Steel Pivot Ball Double Boss (10): Baja Rey	7mm Kugelköpfe (10): Baja Rey	Baja Rey - Rotules Double Boss acier 7mm (10)	7mm Steel Pivot Ball Double Boss (10): Baja Rey
LOS235001	Cap Head Screws M2 x 6mm (10)	Sechskantschraube M2 x 6mm (10)	Vis CHC M2 x 6mm (10)	Viti a testa piatta M2 x 6mm (10)
LOS235002	Cap Head Screws M2.5 x 10mm (10)	Sechskantschraube M2.5 x 10mm (10)	Vis CHC M2,5 x 10mm (10)	Viti a testa piatta M2.5 x 10mm (10)
LOS235003	Cap Head Screws M3 x 6mm (10)	Sechskantschraube M3 x 6mm (10)	Vis CHC M3 x 6mm (10)	Viti a testa piatta M3 x 6mm (10)
LOS235004	Cap Head Screws M3 x 25mm (10)	Sechskantschraube M3 x 25mm (10)	Vis CHC M3 x 25mm (10)	Viti a testa piatta M3 x 25mm (10)
LOS235005	Button Head Screws M2.5x6mm (10)	Halbrundschrabe M2.5 x 6mm (10)	Vis BHC M2,5 x 6mm (10)	Viti a testa tonda M2.5x6mm (10)
LOS235006	Button Head Screws M2.5x 20mm (10)	Halbrundschrabe M2.5 x 20mm (10)	Vis BHC M2,5 x 20mm (10)	Viti a testa tonda M2.5x 20mm (10)
LOS235007	Button Head Screws M4 x 12mm (10)	Halbrundschrabe M4 x 12mm (10)	Vis BHC M4 x 12mm (10)	Viti a testa tonda M4 x 12mm (10)
LOS235008	Flat Head Screws M2.5 x 5mm (10)	Flachkopfschraube M2.5 x 5mm (10)	Vis FHC M2,5 x 5mm (10)	Viti a testa piatta M2.5 x 5mm (10)
LOS235009	Flat Head Screws M2.5 x 8mm (10)	Flachkopfschraube M2.5 x 8mm (10)	Vis FHC M2,5 x 8mm (10)	Viti a testa piatta M2.5 x 8mm (10)
LOS235010	Flat Head Screws M2.5 x 12mm (10)	Flachkopfschraube M2.5 x 12mm (10)	Vis FHC M2,5 x 12mm (10)	Viti a testa piatta M2.5 x 12mm (10)
LOS235011	Set Screws, M3 x 3mm Cup Point (10)	Madenschraube M3 x 3mm spitz (10)	Vis STHC M3 x 3mm CUV (10)	Grano, M3 x 3mm punta piana (10)
LOS235012	Set Screw, M4 x 4mm Cup Point (10)	Madenschrauben, M4 x 4mm spitz (10)	Vis STHC M4 x 4mm CUV (10)	Grano, M4 x 4mm punta piana (10)
LOS235013	Flat Nut, M3 x 0.5 x 5mm (10)	Flachmutter M3 x 05 x 5mm (10)	Écrou plat M3 x 0,5 x 5mm (10)	Dado piatto, M3 x 0.5 x 5mm (10)
LOS235014	Lock Nut, M2 x 0.4 x4mm (10)	Stopmmutter M2 x 0.4mm (10)	Écrou auto-freiné M2 x 0,4 x 4mm (10)	Dado autobloccante, M2 x 0.4 x4mm (10)
LOS235015	Lock Nut, Flanged M5 x 0.8 (10)	Stopmmutter M5 x 0.8mm geriffelt (10)	Écrou auto-freiné épaulé strié M5 x 0,8mm (10)	Dado autobloccante con flangia dentata M5 x 0.8 (10)
LOS321009	Front Bumper & Skid Plate: Baja Rey	Stoßfänger vorne und Unterfahrschutz: Baja Rey	Baja Rey - Pare choc avant et protection	Paraurto anteriore e piastra protetti telaio: Baja Rey
LOS43006	Wheels (4): Baja Rey	Räder (4): Baja Rey	Baja Rey - Roues (4)	Ruote (4): Baja Rey
LOS43011	Desert Claws Tires Soft w/Foam (2)	Desert Claws Reifen mit Schaumeinlage (2)	Pneus Desert Claws Soft avec inserts (2)	Gomme Desert Claws soft con inserti (2)
SPMS605	9KG Servo, WP, Metal Gear, 23T	Servo, spritzwassergeschützt 9Kg MG, 23T	Servo 9Kg à pignons métal, étanche, tête 23T	Servo 9 kg, waterproof, ingranaggi metallici, 23 denti
SPMSRS4220	Spektrum SR4200 DSMR AVC Surface Receiver	Spektrum SR4200 DSMR AVC Surface Empfänger	Servo 9Kg à pignons métal, étanche, tête 23T	Ricevente di superficie Spektrum SR4200 DSMR AVC
TLR5904	Button Head Screws, M3 x 0.5mm x 12mm, Stl, BZ	TLR Rundkopfschraube, M3 x 12mm (10)	Vis à tête bombée M3 x 12mm (10)	Viti testa tonda, M3 x 12mm (10)
TLR5909	Button Head Screws, M3 x 0.5mm x 16mm, Stl, BZ, Pref	TLR Rundkopfschraube, M3 x 16mm (10)	Vis à tête bombée M3 x 16mm (10)	Viti testa tonda, M3 x 16mm (10)
TLR5910	Button Head Screws, M3 x 0.5mm x 14mm, Stl, BZ	TLR Rundkopfschrauben M3 x 14mm (10)	Vis à tête bombée M3 x 14mm (10)	Viti testa tonda, M3 x 14mm (10)
TLR5911	Button Head Screws, M3 x 0.5mm x 20mm, Stl, BZ, Pref	TLR Rundkopfschrauben M3 x 20mm (10)	Vis à tête bombée M3 x 20mm (10)	Viti testa tonda, M3 x 20mm (10)
TLR5913	Button Head Screws, M2.5 x 0.45mm x 12mm, Stl, BZ	TLR Rundkopfschrauben M2.5 x 12mm (10)	Vis à tête bombée M2.5 x 12mm (10)	Viti testa tonda, M2.5 x 12mm (10)
TLR5932	Cap Head Screws, M3 x 0.5mm x 10mm, Stl, BZ, Pref	TLR Zylinderkopfschraube, M3 x 10mm (10)	Vis BTR M3 x 10mm (10)	Viti testa a brugola, M3 x 10mm (10)
TLR5933	Cap Head Screws, M3 x 12mm (10)	TLR Zylinderkopfschraube, M3 x 12mm (10)	Vis BTR M3 x 12mm (10)	Viti testa a brugola, M3 x 12mm (10)
TLR5934	Cap Head Screws, M3 x 0.5mm x 16mm, Stl, BZ, Pref	TLR Zylinderkopfschraube, M3 x 16mm (10)	Vis BTR M3 x 16mm (10)	Viti testa a brugola, M3 x 16mm (10)
TLR5935	Cap Head Screws, M3 x 0.5mm x 20mm, Stl, BZ, Pref	TLR Zylinderkopfschraube, M3 x 20mm (10)	Vis BTR M3 x 20mm (10)	Viti testa a brugola, M3 x 20mm (10)
TLR5961	Screw, M3 x 0.5mm x 8mm, Flat Head, Stl, BZ	TLR Flachkopfschrauben, M3 x 8mm (10)	Vis à tête fraisée M3 x 8mm (10)	Vite a testa piatta, M3 x 8mm (10)
TLR5963	Screw, M3 x 0.5mm x 12mm, Flat Head, Stl, BZ	TLR Flachkopfschrauben, M3 x 12mm (10)	Vis à tête fraisée M3 x 12mm (10)	Vite a testa piatta, M3 x 12mm (10)
TLR5964	Screw, M3 x 0.5mm x 16mm, Flat Head, Stl, BZ, Pref	TLR Flachkopfschrauben, M3 x 16mm (10)	Vis à tête fraisée M3 x 16mm (10)	Vite a testa piatta, M3 x 16mm (10)
TLR5965	Screw, M3 x 0.5mm x 20mm, Flat Head, Stl, BZ, Pref	TLR Flachkopfschrauben, M3 x 20mm (10)	Vis à tête fraisée M3 x 20mm (10)	Vite a testa piatta, M3 x 20mm (10)
TLR6312	Locknut, M2.5x.45 x 5mm (6)	Stopmmutter M2.5x.45 x 5mm (6)	Ecrou M2,5x0,45x5mm (6)	Dado autobloccante, M2,5x45x5mm (6)
TLR6313	Nut, M3 x 0.5mm x 5.5mm, Nylock, Stl, Clear Zinc	TLR Mutter selbstsichernd, M3 x .5 x 5.5mm (10)	Ecrou M3 x 0,5 x 5,5mm (10)	Dado autobloccante, M3 x .5 x 5.5mm (10)
TLR6352	Washer, 3.2mm x 7mm x 0.5mm, Stl, Clear Zinc	TLR U-Scheibe, M3 (10)	Rondelles M3 (10)	Rondelle, M3 (10)
TLR74006	Silicone Shock Oil, 30wt, 2oz.	Silikon Dämpferöl 30wt, 2oz	Huile silicone d'amortisseur, 30wt, 60 ml	Olio silconico ammortizzatori, 30 wt, 2 oz.
TLR255007	Button Head Screws M4x.07mm x 12mm (10)	TLR Rundkopfschraube, M4 x 12mm (10)	Vis à tête bombée M4 x 12mm (10)	Viti testa tonda, M4 x 12mm (10)
VTR236003	Flat Nut, M4 x 0.7 x 7mm (10)	Flachmutter M 4 x 0,7 x 7mm (10)	Écrou plat, M4 x 0,7 x 7mm (10)	Dado piatto, M4 x 0,7 x 7mm (10)
VTR236025	M4 Nylock Flanged Nut	Nylon Bundmutter M4	Ecrou épaulé autofreiné M4 (10)	Dado flangiato Nylock M4
VTR246001	Screw Pin, Clip Post (10): Glamis Uno	Stiftschraube(10) GLU	Supports de clips avec goupilles (10): GLU	Perni viti clip (10): GLU

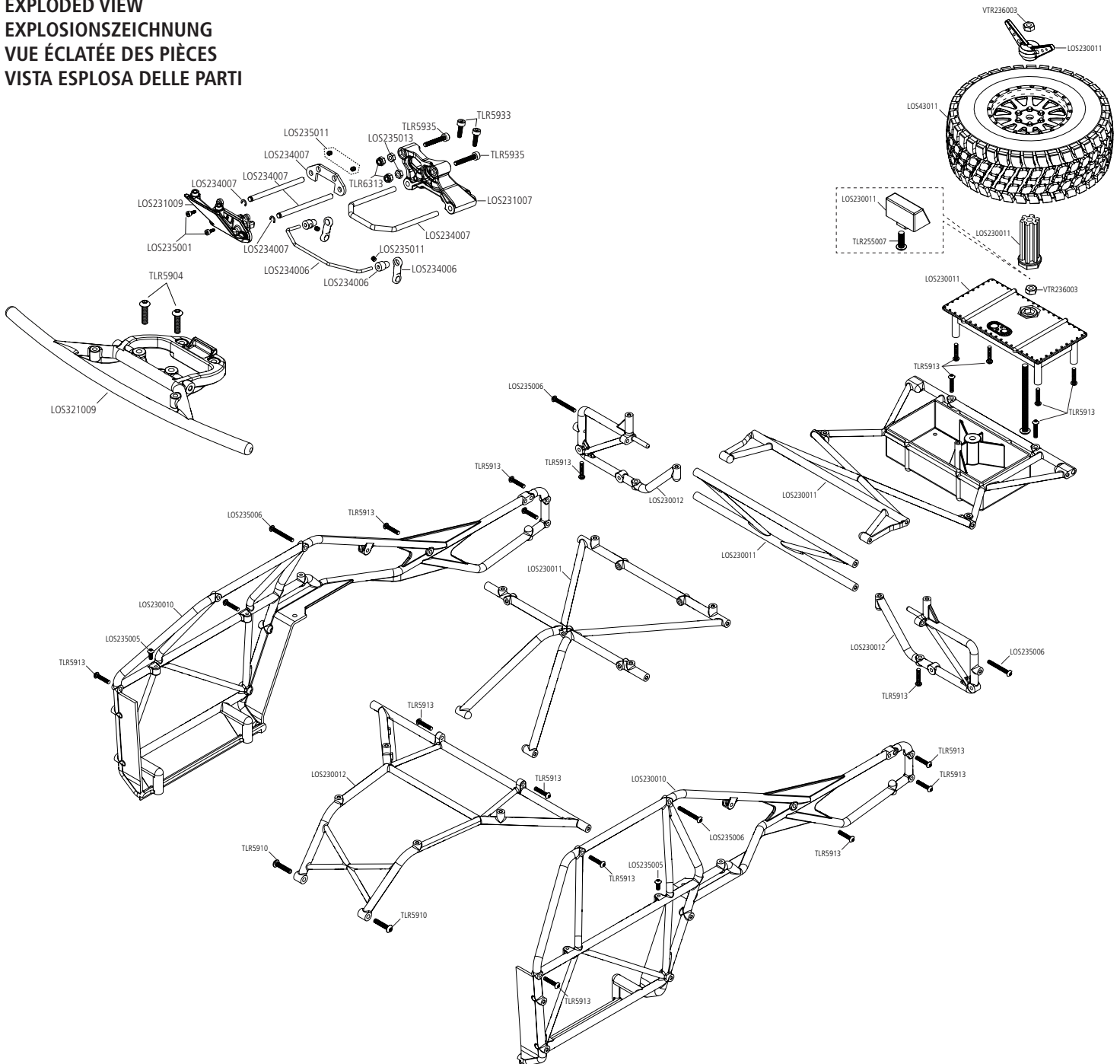
Optional Parts // Diverse Teile // Pièces optionnelles // Pezzi opzionali

Part #	English	Deutsch	Français	Italiano
LOS230009	Body Set, Clear: Baja Rey	Karosserie Set: Baja Rey	Baja Rey - Carrosserie, transparente	Set carrozzeria, trasparente: Baja Rey
LOS330001	LED Roof Light Bar Set: Baja Rey	LED Light Bar Set f. Dachmontage: Baja Rey	Baja Rey - Rampe lumineuse DEL toit	Set barra luci LED tetto: Baja Rey
LOS331001	Aluminum Steering Servo Mount: Baja Rey	Lenkervohalter Aluminium: Baja Rey	Baja Rey - Support de servo de direction aluminium	Supporto servo sterzo alluminio: Baja Rey
LOS331002	Aluminum Bellcrank Servo Saver Set: BR	Servo Saver Aluminium: aja Rey	Baja Rey - Sauve servo levier aluminium	Set salvaservo squadrette alluminio: Baja Rey
LOS331003	Adjustable Turnbuckle Set: BR/RR	Gewindestangenset einstellbar: BR/RR	BR/RR - Biellettes réglables	Set tiranti filettati regolabili: BR/RR
LOS331004	Aluminum Rear Upper Link & Space Set: Baja Rey	Heckanlenkung und Distanzstück Aluminium: Baja Rey	Baja Rey - Tirant supérieur arrière et entretoise aluminium	Set collegamenti e distanziali superiori posteriori alluminio: Baja Rey
LOS331005	Aluminum Servo Arm, 23T: Baja Rey	Servoarm Aluminium, 23T: Baja Rey	Baja Rey - Palonnier de servo aluminium, 23T	Squadretta servo alluminio, 23 denti: Baja Rey
LOS331006	Aluminum Servo Arm, 24T: Baja Rey	Servoarm, Aluminium 24T: Baja Rey	Baja Rey - Palonnier de servo aluminium, 24T	Squadretta servo alluminio, 24 denti: Baja Rey
LOS331007	Aluminum Servo Arm, 25T: Baja Rey	Servoarm Aluminium, 25T: Baja Rey	Baja Rey - Palonnier de servo aluminium, 25T	Squadretta servo alluminio, 25 denti: Baja Rey

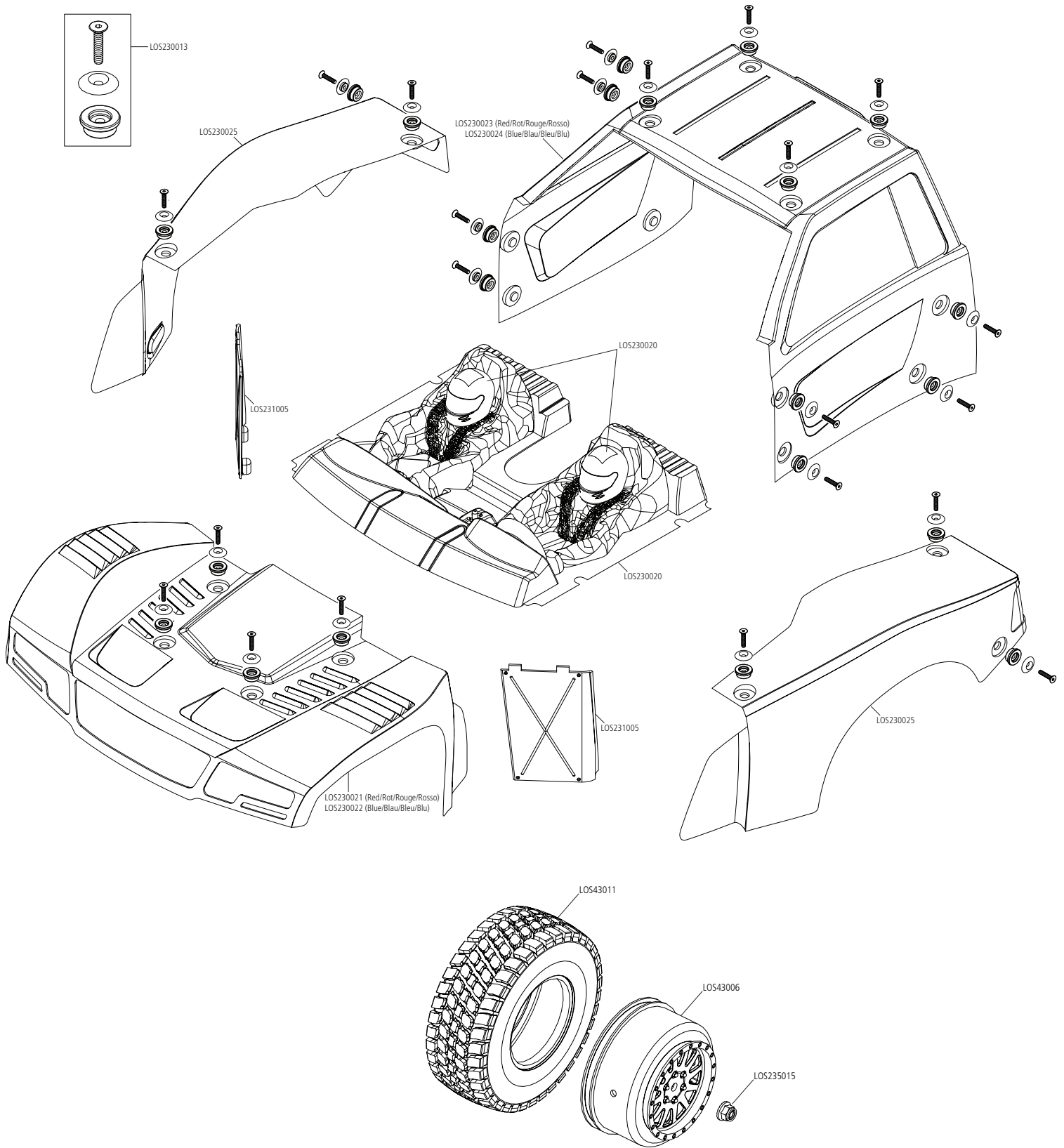
Optional Parts // Diverse Teile // Pièces optionnelles // Pezzi opzionali

Part #	English	Deutsch	Français	Italiano
LOS332001	Al Lightened Hex Adapter Set, 12mm x 6mm: Baja Rey	Radmitnehmer Set ultraleicht Aluminium 12 x 6mm: Baja Rey	Baja Rey - Hexagones aluminium allégé, 12mm x 6mm	Set adattatore esagoni alluminio alleggerito, 12 mm x 6 mm: Baja Rey
LOS332003	Lightened Front Outdrive Set: Baja Rey	Frontantriebset ultraleicht: Baja Rey	Baja Rey - Set de noix de cardans avant allégées	Set trascinatore anteriore alleggerito: Baja Rey
LOS334001	Aluminum Front Spindle Set: Baja Rey	Radträger Set Aluminium: Baja Rey	Baja Rey - Fusées avant aluminium	Set fusello anteriore alluminio: Baja Rey
LOS334002	AL Axle Housing Upper Track Rod Mount: Baja Rey	Achshöhse oben Aluminium: Baja Rey	Baja Rey - Carter de pont supérieur aluminium Track Rod Mount	Supporto tirante trasversale superiore corpo asse alluminio: Baja Rey
LOS334003	Aluminum Upper Lower Buklhead Track Rod Mounts: BR/RR	Achshöhse Aluminium unten: BR / RR	BR/RR - Cellule supérieure/inférieure aluminium Track Rod Mount	Supporti tiranti trasversali paratia inferiore superiore alluminio: BR/RR
LOS334004	Aluminum Rear Shock Tower Set: Baja Rey	Dämpferbrückenset Aluminium hinten: Baja Rey	Baja Rey - Supports d'amortisseurs arrière aluminium	Set torre ammortizzatore posteriore alluminio: Baja Rey
LOS334005	Aluminum Front Shock Tower: Baja Rey	Dämpferbrückenset Aluminium vorne: Baja Rey	Baja Rey - Supports d'amortisseurs avant aluminium	Torre ammortizzatore anteriore alluminio: Baja Rey
LOS334006	Aluminum Lower Rear Trailing Arm Set: Baja Rey	Spurstangenset unten Aluminium: Baja Rey	Baja Rey - Bras arrière inférieur aluminium	Set braccio longitudinale posteriore inferiore alluminio: Baja Rey

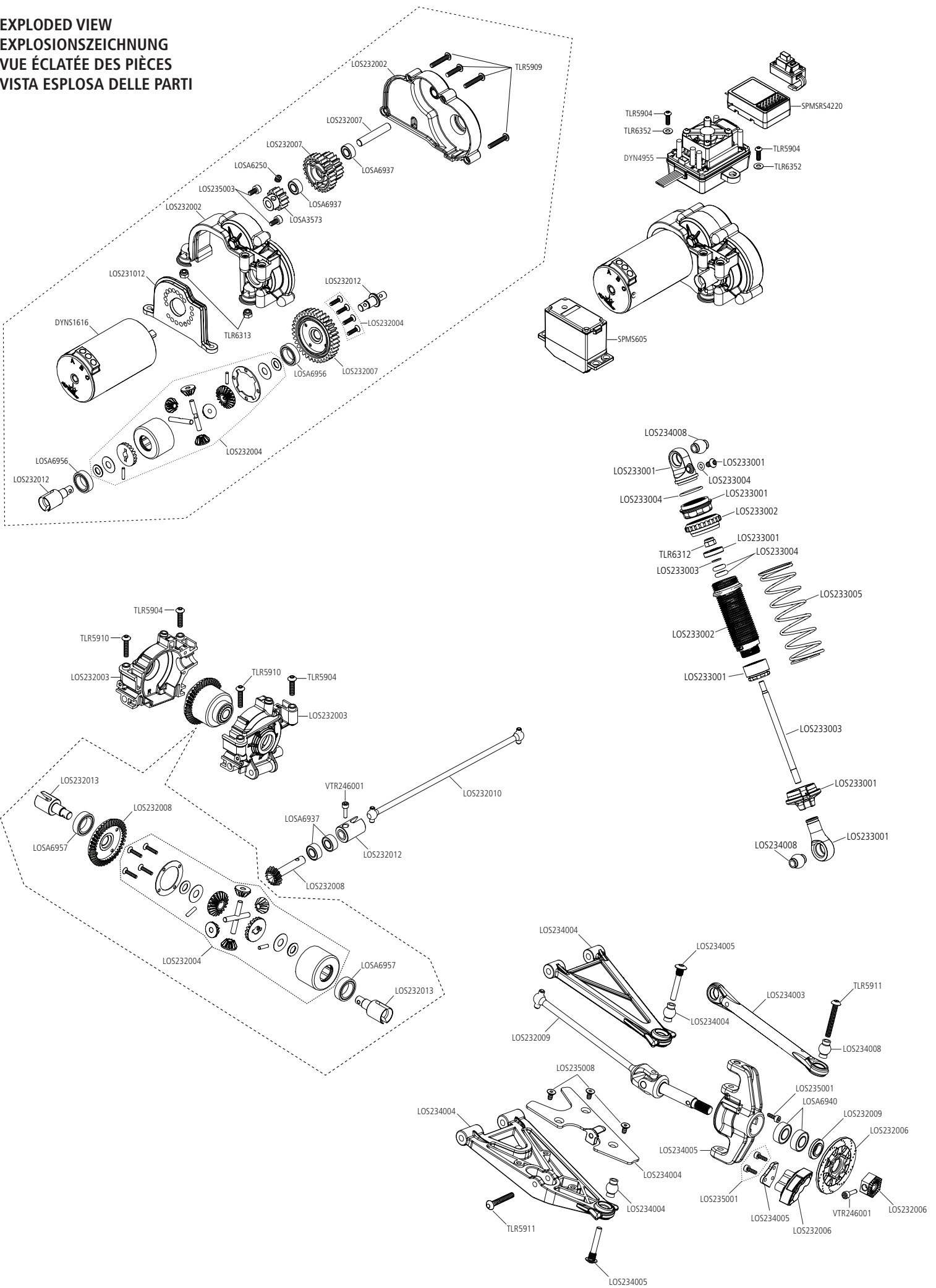
EXPLODED VIEW EXPLOSIONSZEICHNUNG VUE ÉCLATÉE DES PIÈCES VISTA ESPLOSA DELLE PARTI



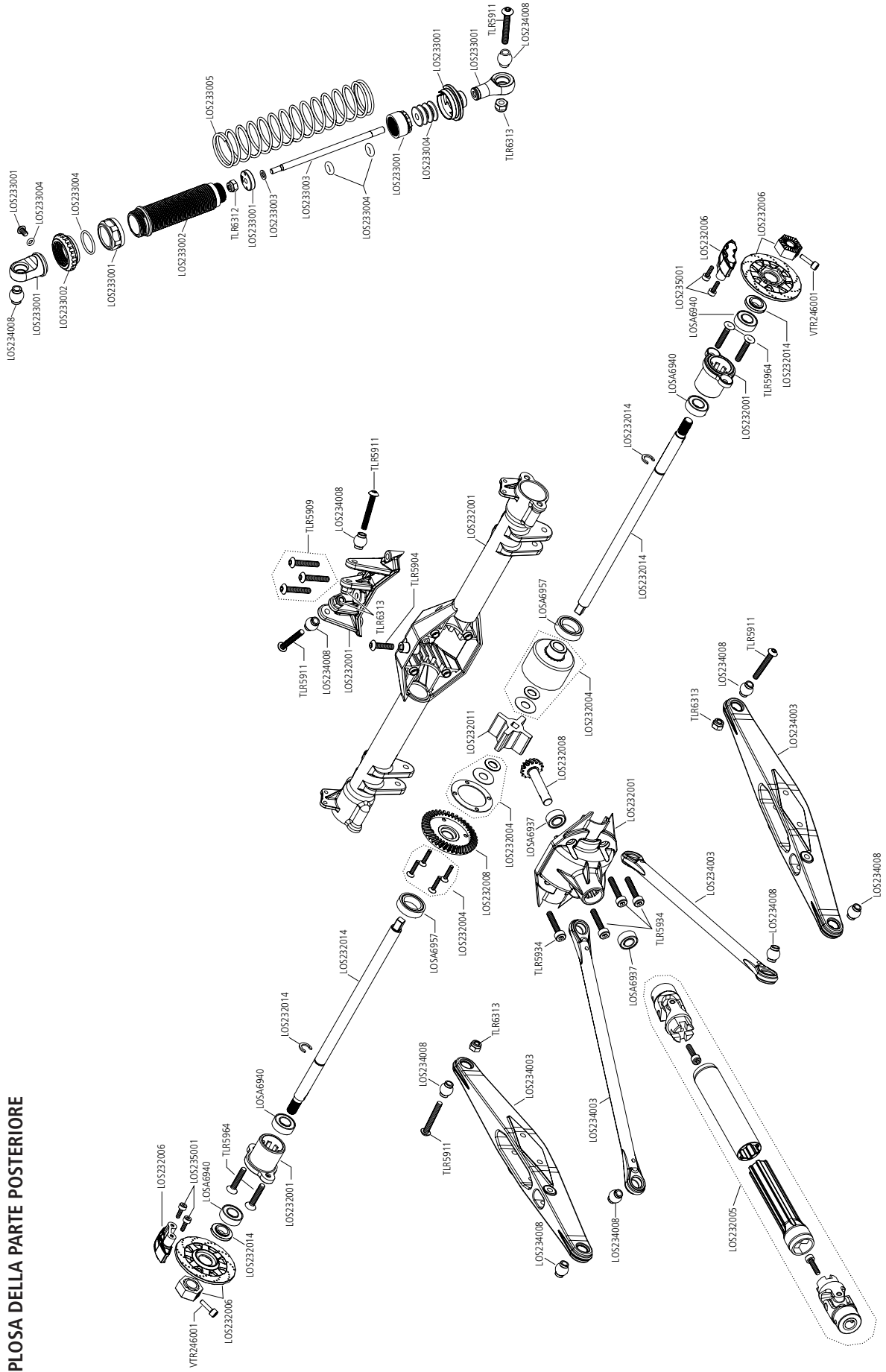
EXPLODED VIEW
 EXPLOSIONSZEICHNUNG
 VUE ÉCLATÉE DES PIÈCES
 VISTA ESPLOSA DELLE PARTI



**EXPLODED VIEW
EXPLOSIONSZEICHNUNG
VUE ÉCLATÉE DES PIÈCES
VISTA ESPLOSA DELLE PARTI**



REAR EXPLODED VIEW
HECK EXPLOSIONSZEICHNUNG
VUE ÉCLATÉE ARRIÈRE
VISTA ESPLOSA DELLA PARTE POSTERIORE





WWW.LOSI.COM

©2017 Horizon Hobby, LLC.

Losi, Baja Rey, DSM, DSM2, DSMR, AVC, Active Vehicle Control, EC3, Dynamite, Fuze, Prophet and the Horizon Hobby logo are trademarks or registered trademarks of Horizon Hobby, LLC. The Spektrum trademark is used with permission of Bachmann Industries, Inc. US 9,320,977.

Other patents pending.

Updated 03/17



44326.1 LOS03008