

MODEL: RAMPAGE XT



RAMPAGE XT

LARGE SCALE MONSTER TRUCK
OWNERS MANUAL



FAST • AFFORDABLE • FUN™

MAN-RAMPAGEXT-2016-12-05

- To ensure that you are using the most recent version of this manual:
www.redcatracing.com/manuals/RAMPAGEXTMANUAL.pdf
- To ensure that you have the most recent version of the Gas Vehicles Manual:
www.redcatracing.com/manuals/GAS-MANUAL.pdf

WARNING!

READ ALL INSTRUCTIONS INCLUDED WITH VEHICLE BEFORE OPERATING

**AGE WARNING!**

This radio controlled (RC) vehicle is not a toy! You must be 14 years of age or older to operate this vehicle. Adult supervision is required.

**RISK OF RUNAWAY VEHICLE OR INJURY!**

Never start the engine without first having the controller and receiver turned on, and having tested the controls to make sure everything is functioning properly.

**RISK OF FIRE! / RISK OF EXPLOSION!**

There is a risk of fire and explosion when dealing with gasoline. Gasoline is highly flammable and combustible. Injury or death can occur if proper care is not taken. Follow all precautions that go along with handling gasoline and never allow gas to be near open sparks or flames of any kind. Only use gas rated containers. Gas ignites quickly and emits fumes into the air. The entire area around the gas may have combustible fumes in the air.



This means the air around the gas can flash ignite causing an explosion. Only use outdoors in a well ventilated area.

**POISONOUS!**

Gasoline is toxic. Injury or death can occur if swallowed. May irritate skin and cause injury if absorbed into the skin. Injury or death can occur from breathing the toxic fumes. The exhaust emitted from this Radio Control (RC) vehicle's muffler is toxic and can cause injury or death if inhaled. **KEEP AWAY FROM CHILDREN AND PETS!** Never start the engine indoors, not even in a closed garage. Always follow the appropriate gasoline safe handling practices.

**RISK OF BURNS!**

The engine, exhaust pipe, and other areas of the vehicle get hot. Burns can occur if they are touched after vehicle operation. Allow adequate time to cool before handling.

**RISK OF INJURY!**

Hobby grade RC vehicles can cause serious injury or death if not operated correctly. Never use this vehicle in crowds. Never chase people or animals. Drive in safe open areas only. Keep body parts away from moving parts.

**RISK OF DAMAGE!**

Never operate RC vehicles on public roads. Damage of vehicle and property can occur. Injury or death may also occur. Only operate on wide open private property.

**WARNING!**

Do not mix old and new batteries. Do not mix alkaline, lithium, standard (carbon zinc), or rechargeable (nickel cadmium) batteries. Do not change or charge batteries in a hazardous location.



FCC Compliance Statement! The radio included with your vehicle complies with part 15 of the FCC Rules. Operation is subject to the following two conditions: (1) This device may not cause harmful interference, and (2) This device must accept any interference received, including interference that may cause undesired operations. Note: This equipment has been tested and found to comply with the limits for a Class B digital device, pursuant to Part 15 of the FCC Rules. These limits are designed to provide reasonable protection against harmful interference in a residential installation. This equipment generates, uses and can radiate radio frequency energy and, if not installed and used in accordance with the instructions, may cause harmful interference to radio communications. However, there is no guarantee that interference will not occur in a particular installation. If this equipment does cause harmful interference to radio or television reception, which can be determined by turning the equipment off and on, the user is encouraged to try to correct the interference by one of the following measures:

Reorient or relocate the receiving antenna.

Increase the separation between the equipment and receiver.

Connect the equipment into an outlet on a circuit different from that to which the receiver is connected.

Consult the dealer or an experienced radio/TV technician for help.

WARNING: Any changes or modifications not expressly approved by the party responsible for compliance could void the user's authority to operate this equipment.

WARNING: While operating the Radio, a separation distance of at least 20 centimeters must be maintained between the radiating antenna and the body of the user or nearby persons in order to meet the FCC RF exposure guidelines.

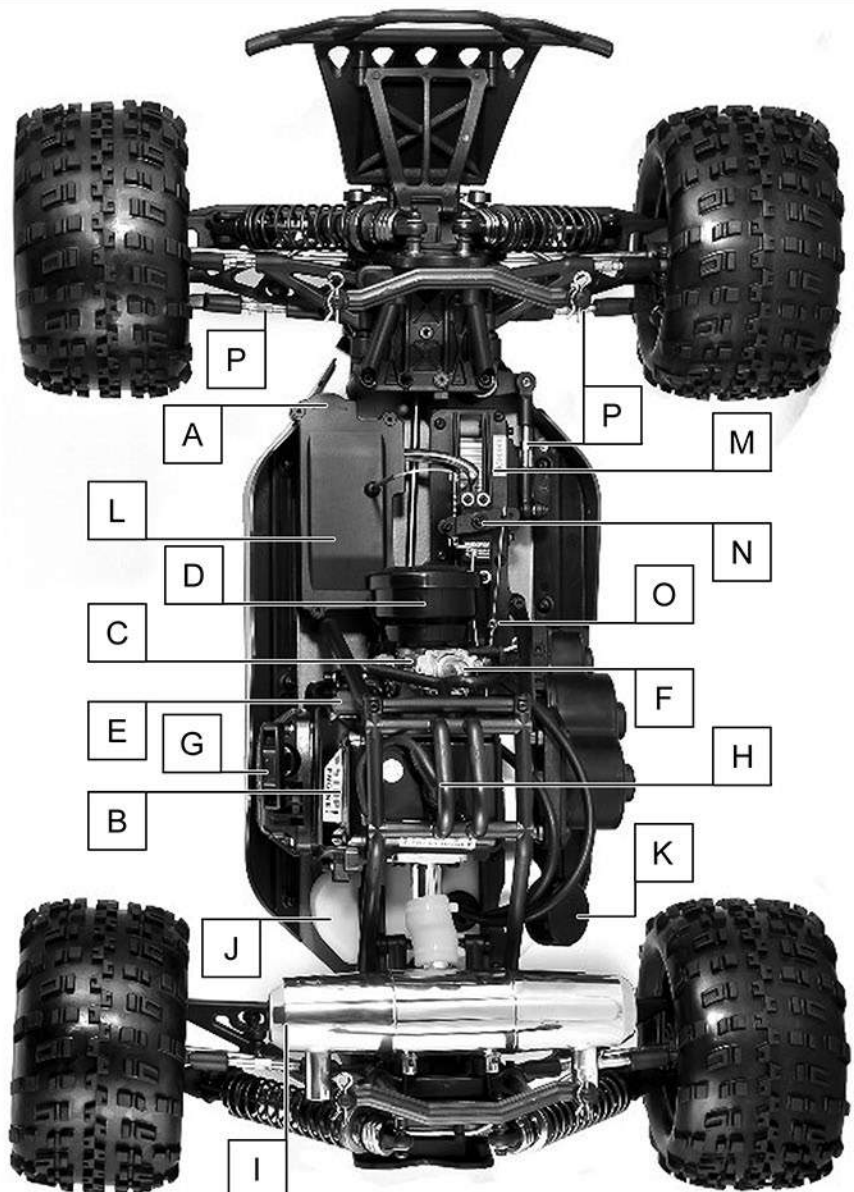
FEATURES & SPECIFICATIONS

- Powerful 32cc HY 2-Stroke Gas Engine
- Uses Gasoline Mixed With 2-Stroke Oil
- Large 500cc Fuel Tank
- 4 Wheel Drive
- Aluminum Oil Filled Shocks
- Dual Disc Brake
- Receiver Battery & Charger Included
- 2.4GHz Radio System
- Scale: 1/5
- Length: 750mm
- Width: 540mm
- Height: 320mm
- Wheelbase: 500mm
- Ground Clearance: 40mm
- Dry Weight: 10.5KG (23.1 LBS)

Note: This vehicle uses AA batteries, a rechargeable battery, and a gasoline fuel mixture to run. You must have all of these components to run this vehicle. See the included Gas Manual for additional information.

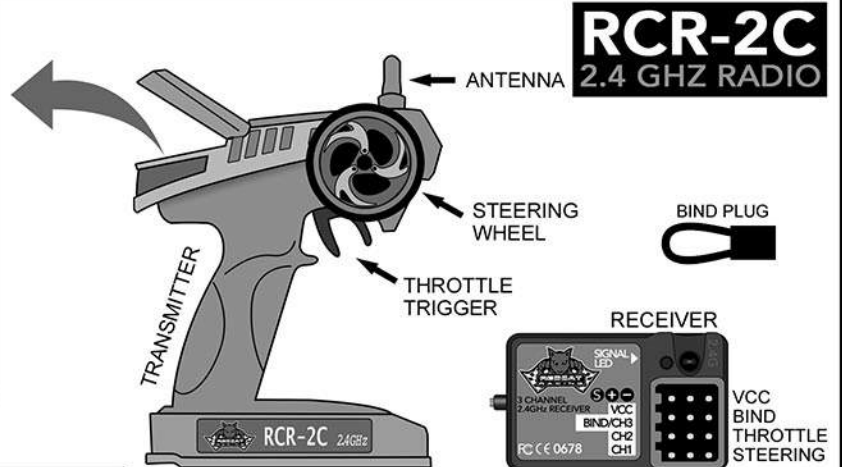
VEHICLE OVERVIEW

- A:** On/Off Switch
- B:** Gasoline Engine
- C:** Engine's Carburetor
- D:** Engine's Air Filter
- E:** Engine Kill Button
- F:** Engine Primer Bulb
- G:** Engine Pull Starter Cord
- H:** Spark Plug
- I:** Exhaust Pipe
- J:** Fuel Tank
- K:** Fuel Tank Fill Cap
- L:** Receiver Battery Box
- M:** Steering Servo
- N:** Throttle/Brake Servo
- O:** Brake Adjustment
- P:** Adjustable Steering Linkage



RADIO GUIDE

CONTROL PANEL



Steering Reverse Switch: Top left switch. Used to change steering orientation. If the vehicle turns right when you steer left, flip this switch.

Throttle Reverse Switch: Top right switch. Used to change throttle trigger orientation. If the brakes activate while you pull the throttle trigger, flip this switch.

Power LED: Left LED light. Lights up when the transmitter is turned on.

Battery Level LED: Right LED light. Lights up green when transmitter batteries are full. Flashes when transmitter batteries are low and need replacing.

Bind Button: Used to bind the transmitter to the receiver. See binding instructions.

Steering Trim: Left knob. Used to set the steering neutral point. If the vehicle veers in one direction while the steering wheel is centered, turn this knob in the opposite direction until the vehicle drives straight.

Throttle Trim: Middle knob. Used to set the throttle neutral point. If the vehicle moves forward or applies brakes while the throttle trigger is centered, turn this knob until the vehicle remains still. For best setting, turn until the engine slightly revs, then turn in the opposite direction until the engine idles.

Steering Dual Rate: Right knob. Used to limit the amount of steering. 0= little/no steering & 6= maximum steering. Set the knob to the amount of steering you feel comfortable with. If the vehicle has a tendency to spin out, lower the steering rate.

On/Off Switch: Bottom switch. Turns transmitter On and Off.

VCC: Used to power the servos and receiver, through a receiver battery.

BIND/CH3: Used when binding to transmitter. Used for 3rd channel when needed.

CH2: Used for throttle servo.

CH1: Used for steering servo.

Binding:

1. Make sure the vehicle On/Off switch is turned OFF and plugged into the VCC port.
2. Insert the bind plug into the Bind/Ch3 port.
3. Plug a fresh set of receiver batteries into the On/Off switch and power the vehicle on.
4. **Do NOT start the engine!** The receiver light should now begin to blink red.
5. Press and hold the BIND button in the center of the transmitter's Control Panel and turn on the radio.
6. Release the bind button when you see the green light on the radio flashing. At this point, your receiver's LED should now be solid red. If so, turn off the power to your vehicle, as well as the radio.
7. Remove the BIND PLUG from the receiver and reinstall the servos as well as the receiver battery, according to the paragraph above.
8. Now turn your radio and vehicle on as normal. Your radio and receiver should be bound together and communicating with each other.

BEFORE YOU START THE VEHICLE!

This vehicle requires new AA batteries for the transmitter, fully charged rechargeable battery pack for the receiver, and a mixture of 2-stroke oil and unleaded gasoline for the engine. All of these are required for this vehicle to be used. The motor in this vehicle needs to be "broken-in" to ensure reliable operation. See the included Redcat Racing Gas Vehicles Manual for instructions on how to mix the oil and gasoline, and how to properly break-in the engine.

NEEDED TO RUN VEHICLE



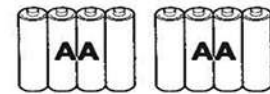
100% Unleaded Gasoline



2-Stroke oil



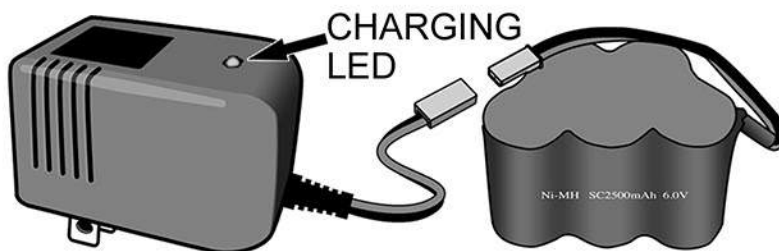
Spare receiver battery

AA batteries for transmitter
(Number of batteries may vary per vehicle)

All warranties are void if the proper break-in procedures and proper mixing ratios are not followed/used.

You may check here to make sure you have the most recent version of the Gas Vehicles Instruction Manual: www.redcatracing.com/manuals/GAS-MANUAL.pdf

CHARGING THE RECEIVER BATTERY

**CHARGER****RECEIVER BATTERY**

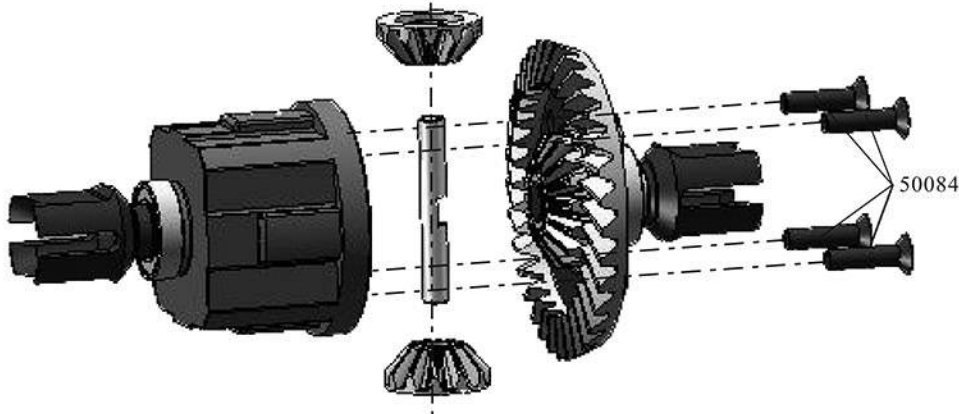
1. Unplug the receiver battery from the power switch and remove the battery from the vehicle.
2. Plug the charger into a 110v wall receptacle.
3. Plug the receiver battery into the charger.

NOTE: LEAVING THE BATTERY UNATTENDED WHILE CHARGING MAY RESULT IN FIRE AND DAMAGE/INJURY. NEVER LEAVE THE BATTERY UNATTENDED WHILE CHARGING. IF BATTERY GETS "HOT", UNPLUG IT FROM THE CHARGER AND LET IT COOL IN A SAFE PLACE AWAY FROM ANYTHING FLAMMABLE.

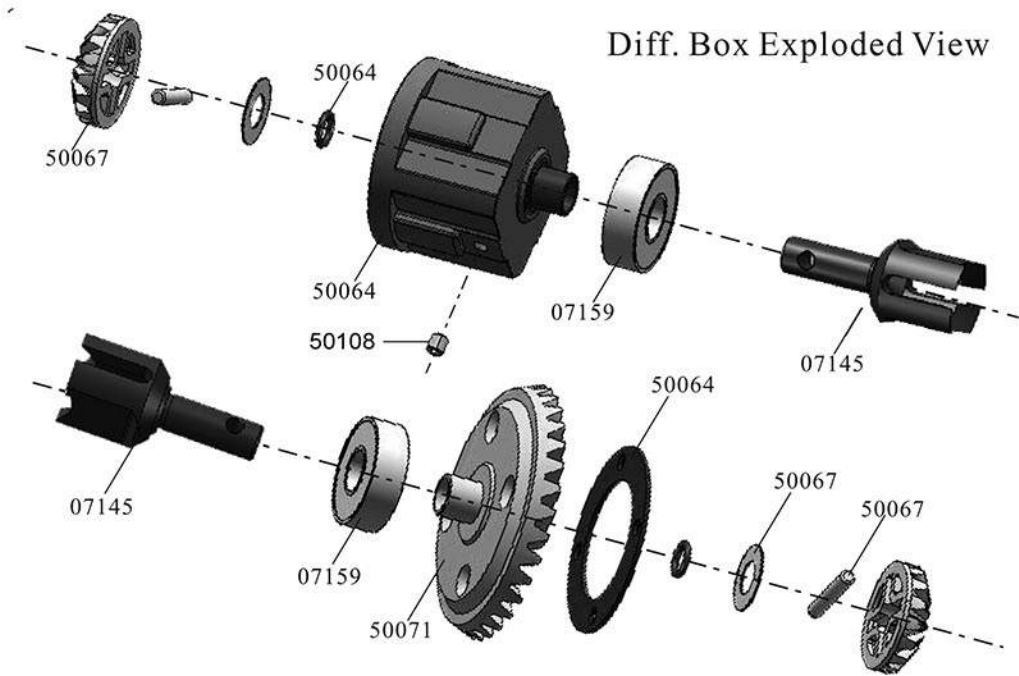
It's normal for the battery pack to get warm, but it should never get hot!


EXPLODED VIEWS

Diff.Gear Assembly



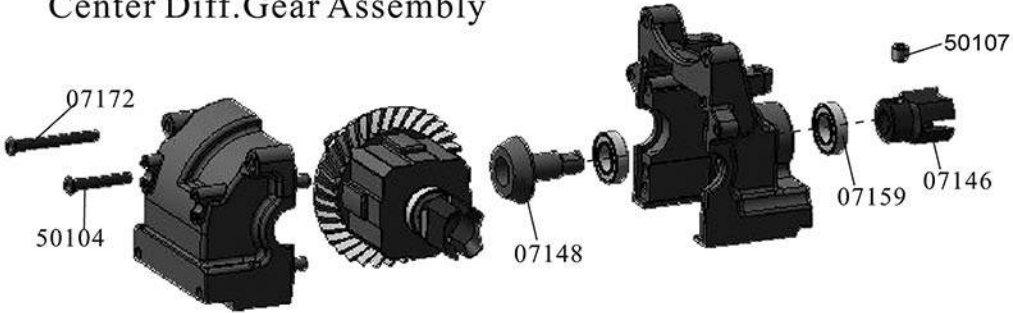
Diff. Box Exploded View



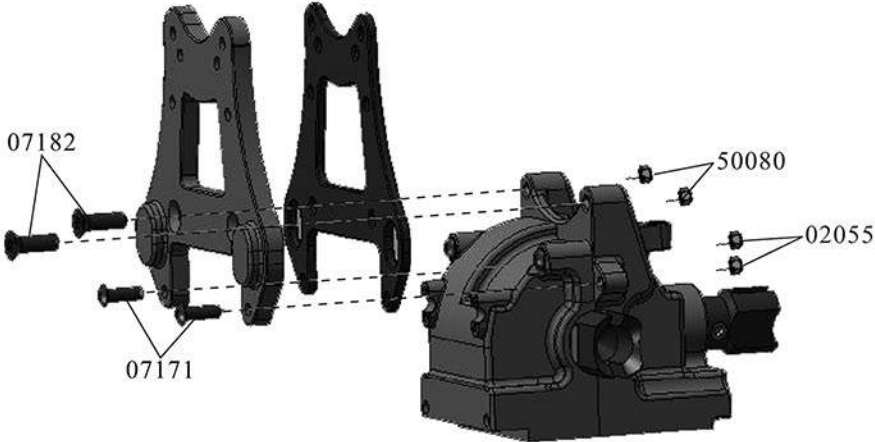
 Don't forget to assemble the O Ring.

EXPLODED VIEWS

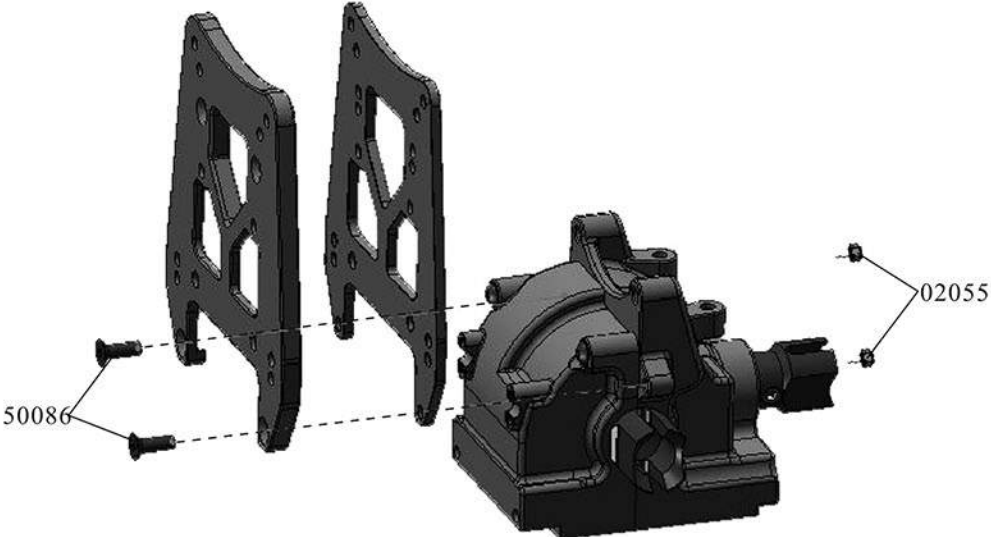
Center Diff. Gear Assembly



Front Shock Tower Assembly

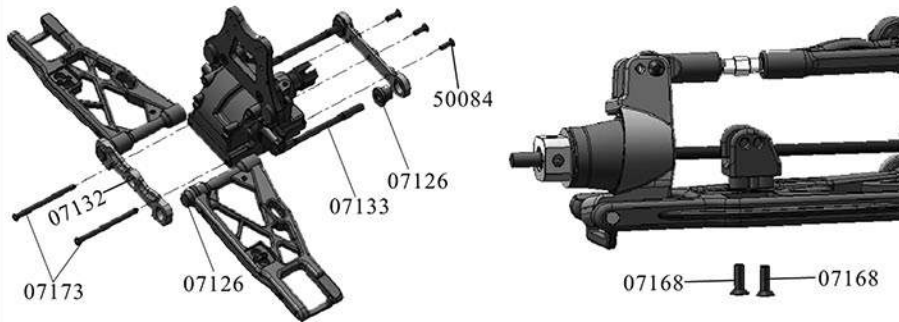


Rear Shock Tower Assembly

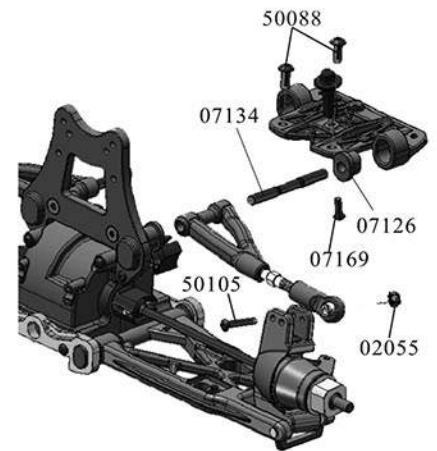


EXPLODED VIEWS

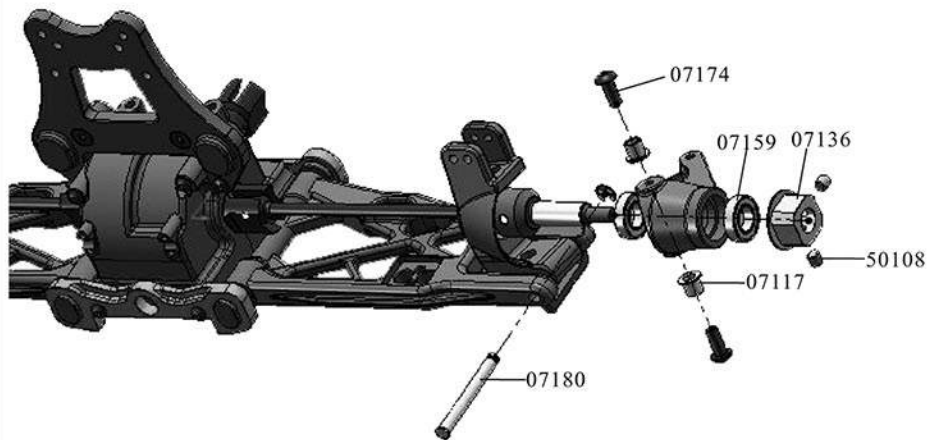
Front Lower Suspension Arm Assembly



Front Upper Top Plate Assembly



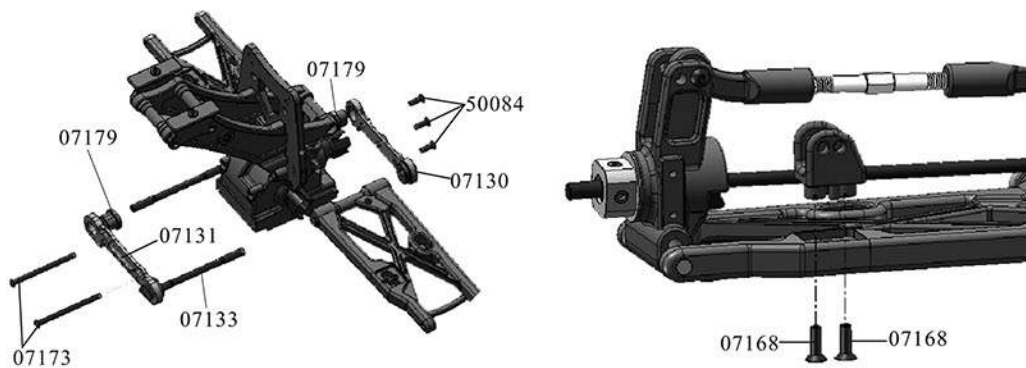
Steering Mount Assembly



Front Upper Suspension Arm Assembly

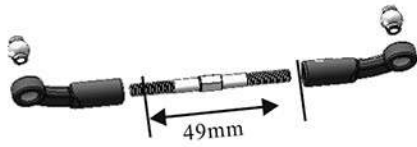


Rear Lower Suspension Arm Assembly

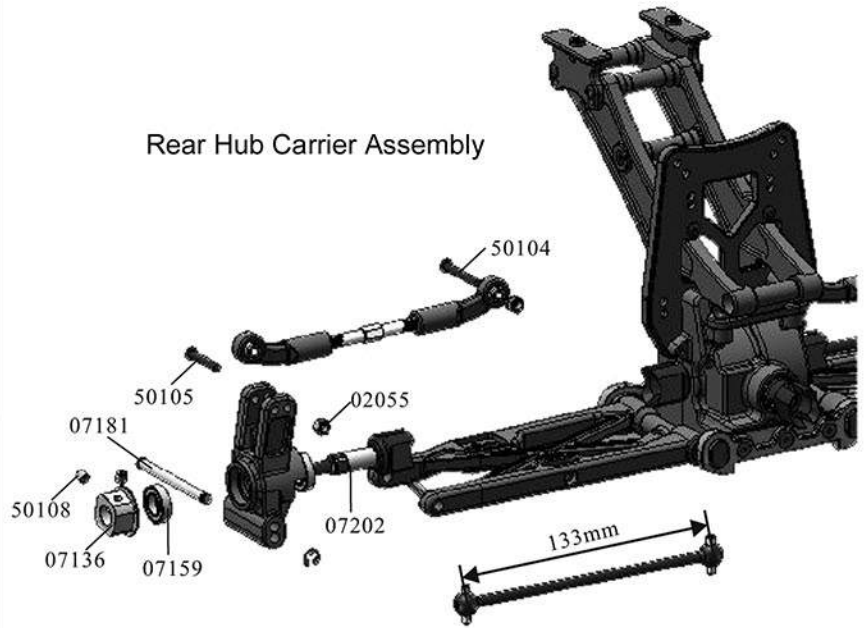


EXPLODED VIEWS

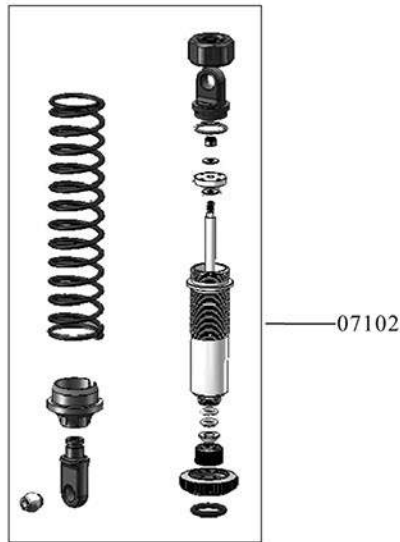
Rear Upper Suspension Arm Assembly



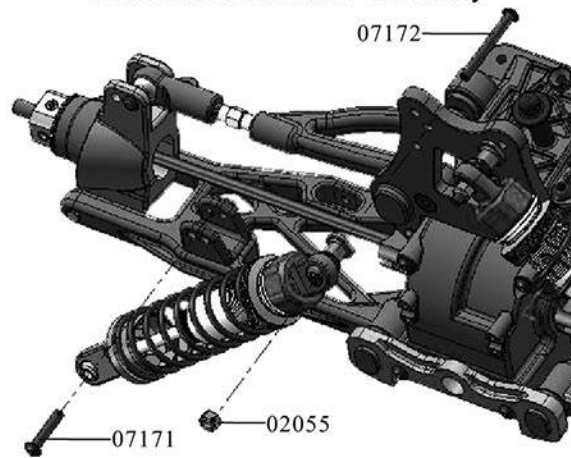
Rear Hub Carrier Assembly



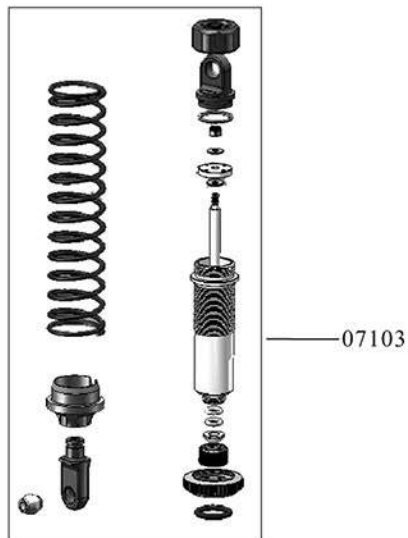
Front Shock Absorber (Short)



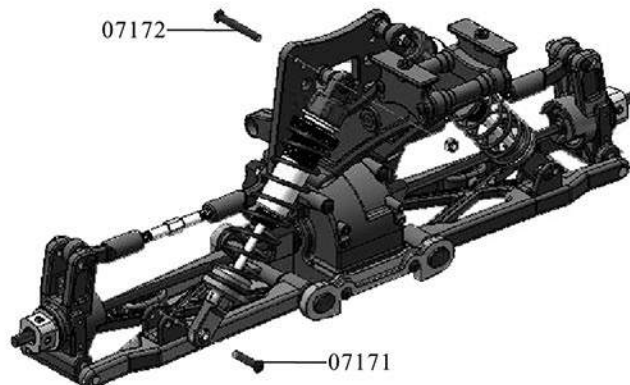
Front Shock Absorber Assembly



Rear Shock Absorber (Long)

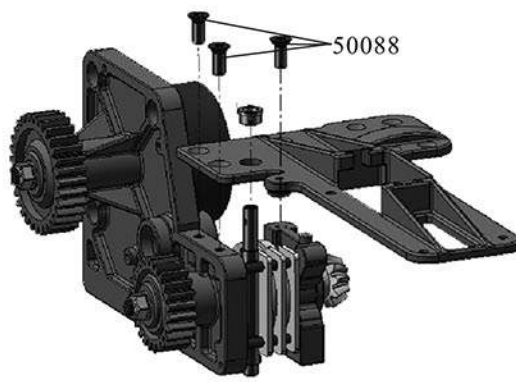
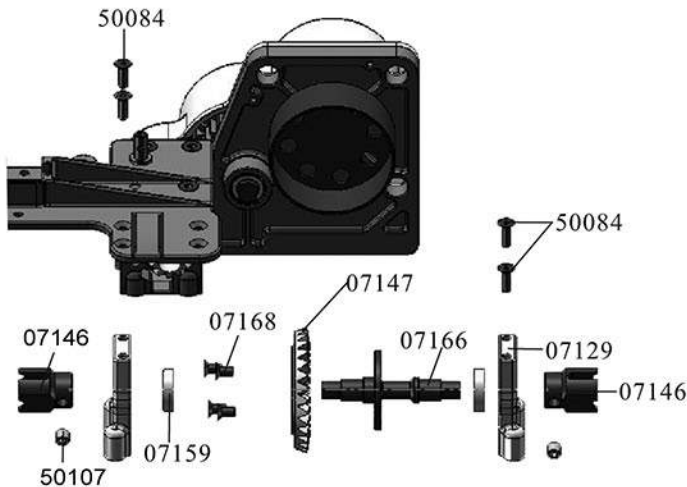
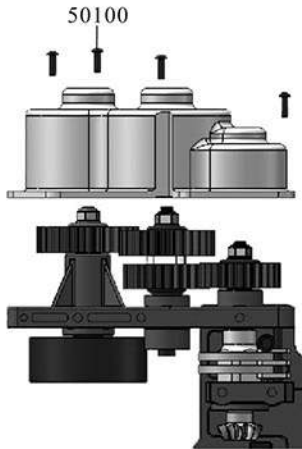
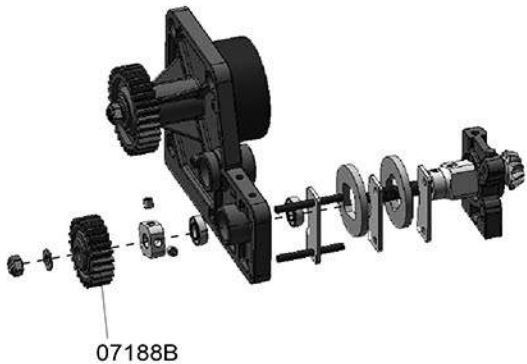
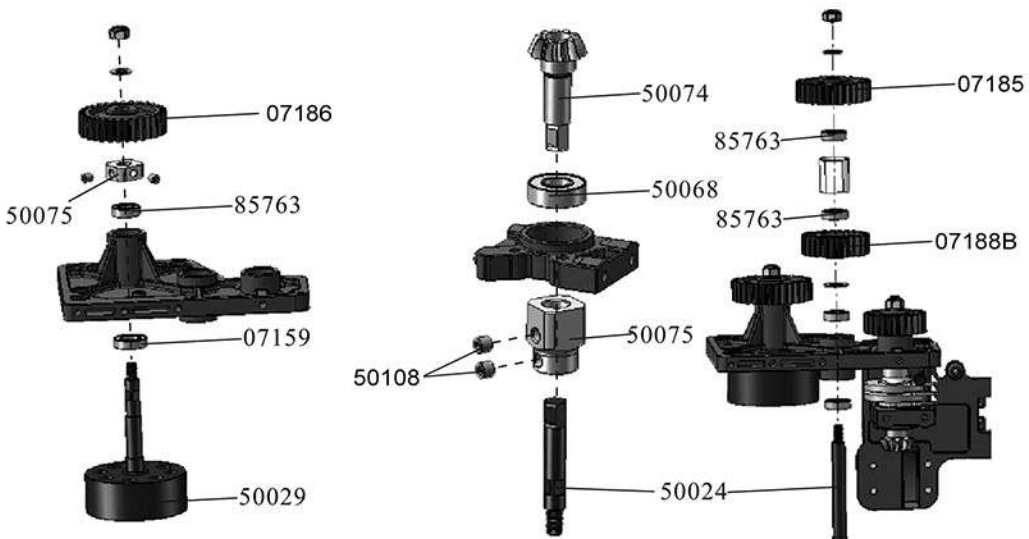


Rear Shock Absorber Assembly



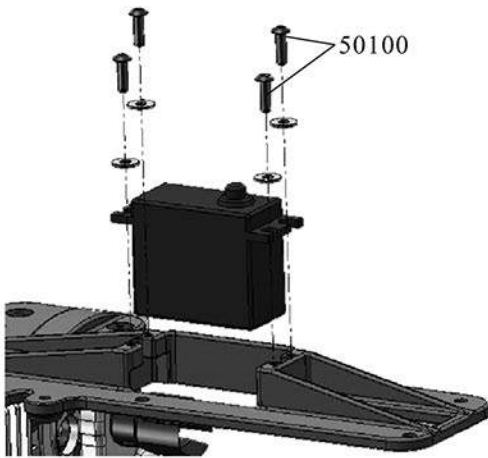
EXPLODED VIEWS

Gear Box Assembly

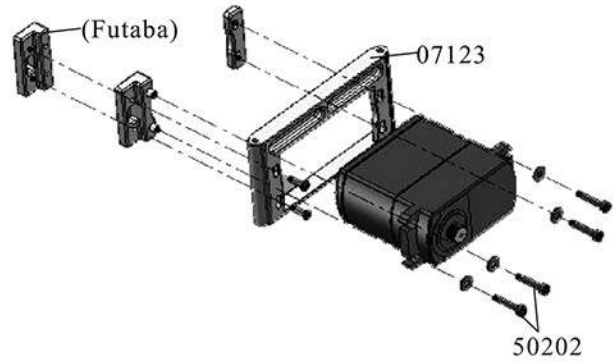


EXPLODED VIEWS

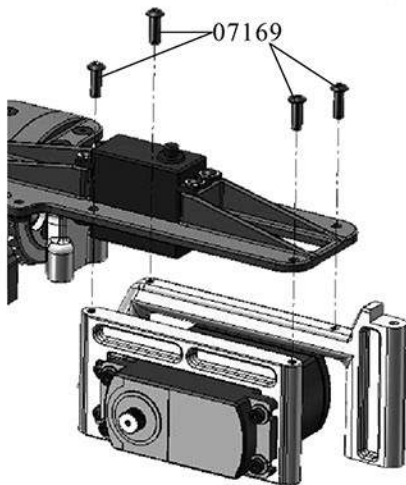
Throttle Servo Assembly



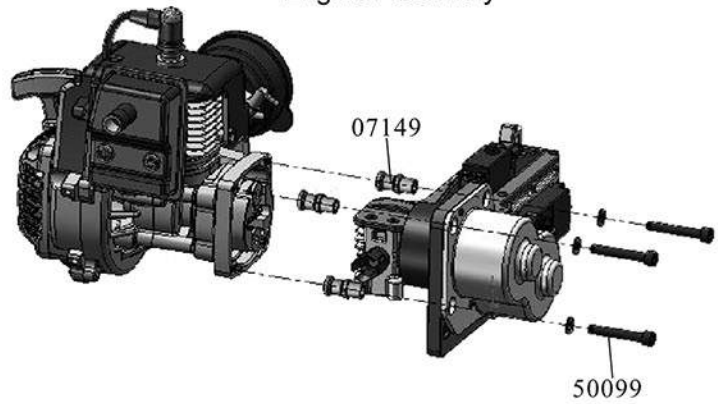
Steering Servo Assembly



Front Brace Assembly



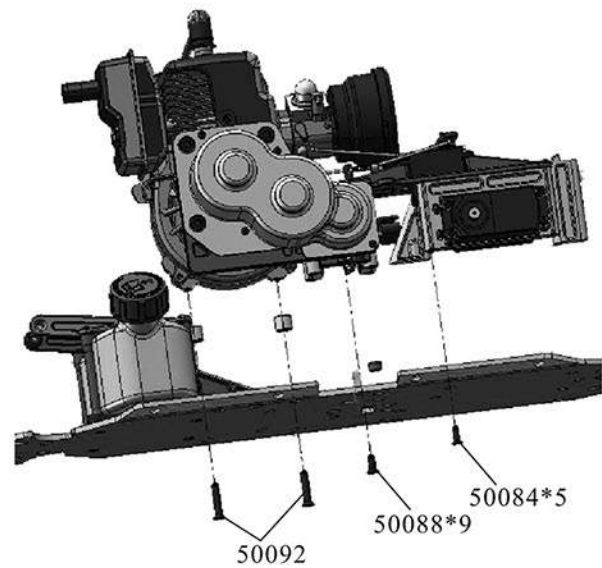
Engine Assembly



Throttle / Brake Linkage

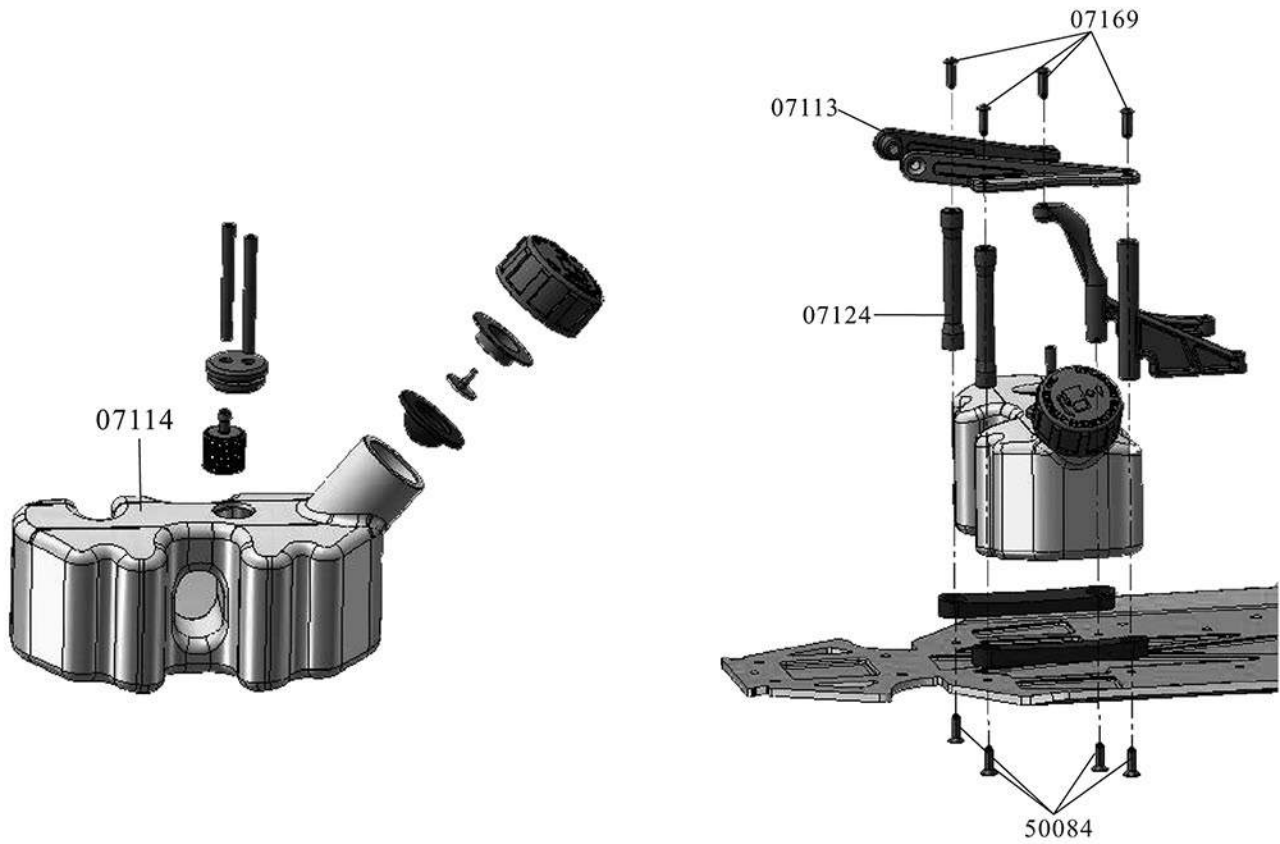


Center Unit Assembly

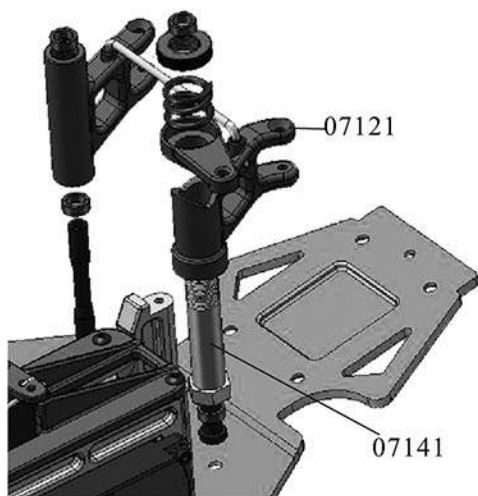


EXPLODED VIEWS

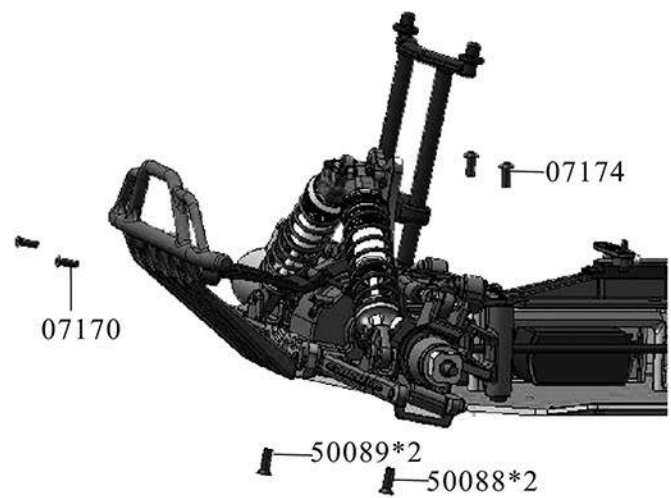
Fuel Tank Assembly



Buffer Assembly

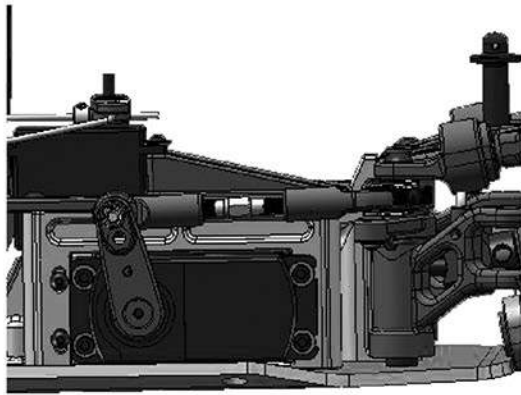


Front Unit Assembly

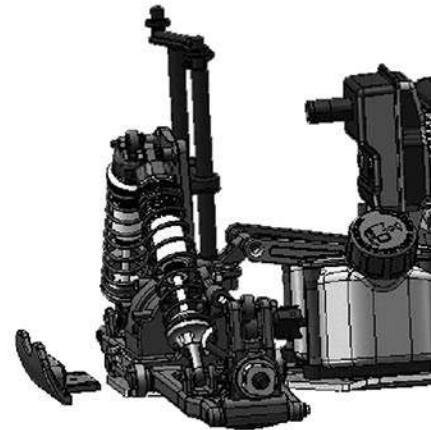


EXPLODED VIEWS

Servo Link Assembly



Rear Unit Assembly

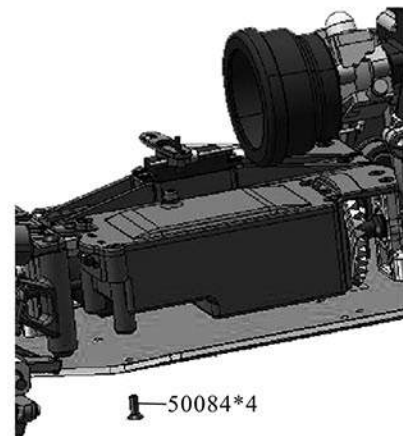


50089*2

50088*2

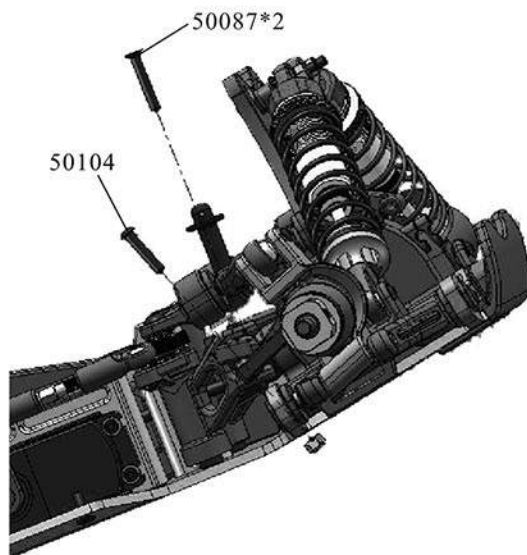


Battery Case Assembly



50084*4

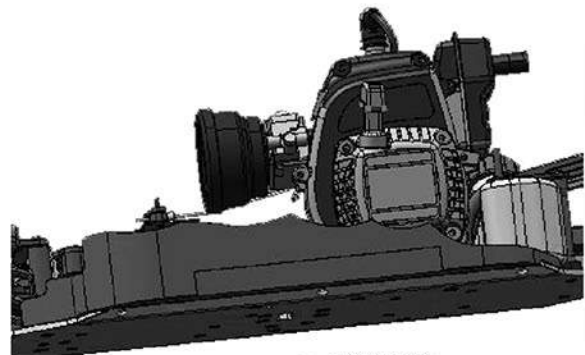
Steering Link Assembly



50087*2

50104

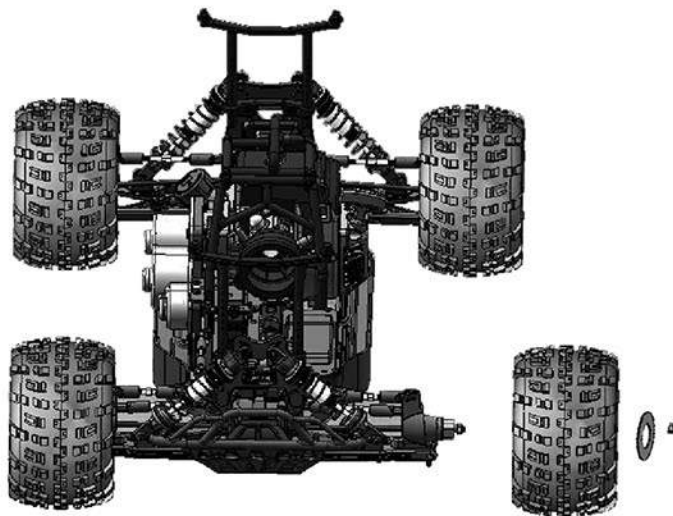
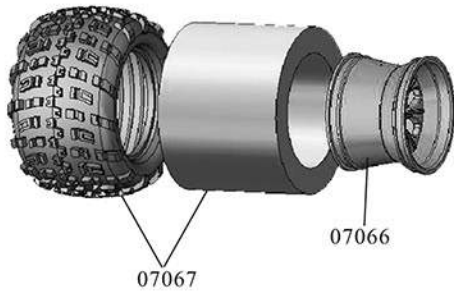
Side Guard Assembly (L/R)



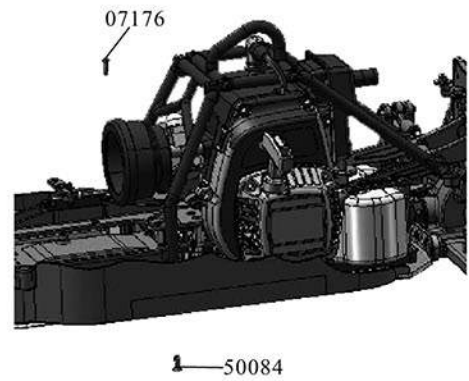
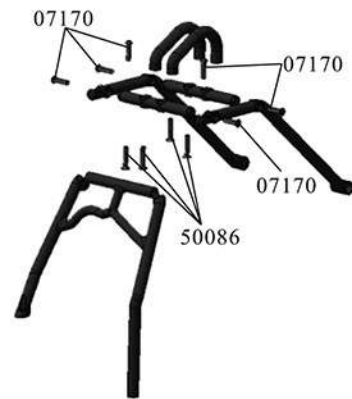
50084*7

EXPLODED VIEWS

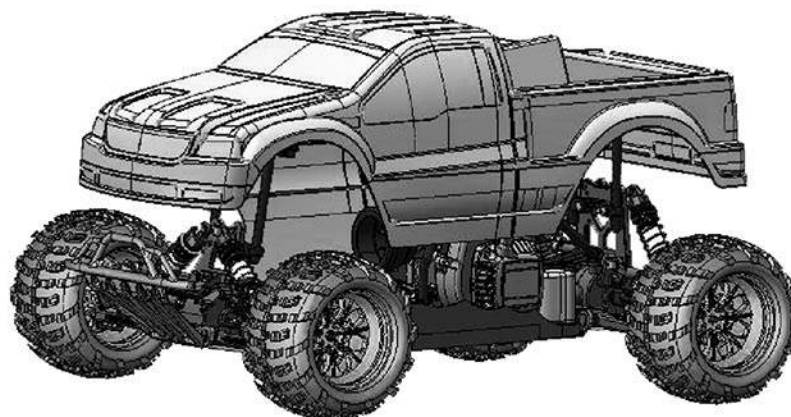
Complete Wheel / Tire Assembly (L/R)



Roll Cage Assembly



Body Assembly



PARTS IDENTIFICATION



07104-Front Lower Suspension Arm(L/R)



07105-Rear Lower Suspension Arm(L/R)



07112-Front Upper Suspension Arm(L/R)



07110-Front Shock Tower



07111-Rear Shock Tower



07115-Bumper



07061-Front Bumper



07116-Front Upper Top Plate



07411-Side Guard(L/R)



07113-Rear Top Plate



07117-Steering Mount (L/R)



07121-Steering Rocker



07127-Steering Mount (L/R)



07125-RadioTray



07122-Diff.Mount Set



07123-Servo Set



70020-Servo Linkage



07370-Rear Upright (L/R)



07146-Centre Dogbone Joint Cup



07145-Diff.Joint Cups



07405-Front wheel Axle



07202- Rear Wheel Axle



07203- Universal Drive Joint (Length:128mm)



07406-CVD-Kit For 07203 Only



07106-Steering Link



07107-Rear Upper Link



50006-Battery/Receiver Case



50051-Chargeable Battery Pack (6V 2500MA)



26001-Engine (26CC PRO)



07149-Engine Fix Post (AL.)

PARTS IDENTIFICATION



07128-Roll Cage



07114-Fuel Tank



07124-Fuel Tank Post



54026-Exhaust pipe+
Silicone Joint Tubing



07101-Chassis



07129-Centre Diff.Mount



07060-Body Post



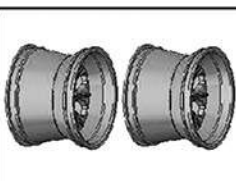
07167-Servo horn and
Throttle Linkage Set



07102- Front Shock
Absorber



07103- Rear Shock
Absorber



07066-Wheel Rims



07067-Tires+Insert
Sponge



07065-Wheels/Tires
Complete (L/R)



50224-Air Filter



50225-Outside Air
Filter Sponges



50226-Inside Air Filter
Sponges



50227-Inside/Outside
Air Filter Sponges



07412-Switch



07108-Gear Box



07118-Shock Mount Set
L/R



50066-Diff. Gear Cover



50075-Centre Diff.
Gear Set



50064-Front/Rear Diff.
Shell Set



50067-Front/Rear Diff.
Gear Set



07166-Center Diff. Spool
Shaft+Washers



07185-Powder Steel
Gear (31T)



07186-Powder Steel
Gear (29T)

PARTS IDENTIFICATION



07188B-Powder Steel Gear (25T)(Thick)



51030-Powder Steel Gear (29T/31T/25T-B*2)



07148-Diff. Gear (11T) Steel



50074-Diff.Drive Pinion (10T)



07147-Diff. Gear (30T) Steel



50071-Front /Rear Crown Gear(33T)



07135-Gear Mount



07136-Wheel Mount



50022-Spacer + Screw (For Engine)



50029-Clutch Bell Bush



50023-Brake Discs+ Pads+Pins



50037-Brake Cam Set



07130-Rear Lower Sus. Arm Holder (B)



07131-Rear Lower Sus. Arm Holder (C)



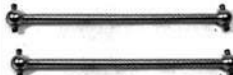
07132-Front Lower Sus. Arm Holder (A)



07142-Buffer Post



07141-Buffer Aluminium Mount



07157-Center Front Dogbones: 152mm



07158-Center Rear Dogbones: 162mm



07156-Rear Dogbones
New Length:133mm
Old Length:131mm



07180-Front Lower Sus. Arm Pins 5*50.5



07181-Rear Lower Sus. Arm Pins 5*65



50024-Diff.First +Second Way Shaft



07133-Front/ Rear Lower Sus.Arm Pins 6*90



07134-Front Upper Sus. Arm Pins 6*60



07139-Front Stabilizer Bar



07140-Rear Stabilizer Bar



81013-Body Clips 6P



07126-Adjust Bushes (Centre)



07179-Adjust Bushes (Side)

PARTS IDENTIFICATION

50068-Ball Bearing
(22*10*7)

07159-Bearing 19*10*5



85763-Bearing 16*8*5

50077-Second Way
Gear Washer
6.2*12*1mm07178-Second Way
Gear Washer
4.2*10*1.0mm50076-First Way Gear
Washer 8*15*1.5mm50078-Servo Washers
3*8*0.8mm07151-Front Sus.Arm
Ball (AL.) Length:12mm07152-Shock lower Ball
(AL.) Length:10mm07153-Shock Upper Ball
(AL.)50114-Servo Link Ball
8mm

02102-Nuts(M3)



02055-Nuts(M4)



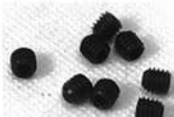
50080-Nuts(M5)



50081-Nuts(M6)



07204-Nuts(M10)

50111-Hex Head Grub
Screw(5*10) 4P50107-Hex Head
Grub Screw(6*6) 8P50108-Hex Head
Grub Screw(5*5) 8P02099-Hex Head Grub
Screw(4*4) 10P50110- Hex Head
Grub Screw(3*3) 8P50202-Column Head
Hex.Self-tapping Screw
(3*16) 12P07176-Column Head
Hex.Self-tapping Screw
(4*16) 12P50097-Column Head
Mechanical Screw(5*35)
6P50099-Column Head
Mechanical Screw(6*40)
4P07182-Countersunk
Mechanical Screw(5*22)
4P07168-Countersunk
Mechanical Screw (4*8)
12P50084-Countersunk
Mechanical Screw(4*12)
12P50085-Countersunk
Mechanical Screw(4*16)
12P50086-Countersunk
Mechanical Screw(4*20)
8P

PARTS IDENTIFICATION



50087-Countersunk
Mechanical Screw(4*25)
8P



50088-Countersunk
Mechanical Screw (5*12)
12P



50089-Countersunk
Mechanical Screw(5*15)
12P



50092-Countersunk
Mechanical Screw(5*25)
4P



50104-Cap Head
Mechanical Screw(4*25)
4P



50105-Cap Head
Mechanical Screw(4*30)
4P



50106-Cap Head
Mechanical Screw(5*15)
10P



50100-Cap Head
Mechanical Screw(3*10)
8P



07169-Cap Head
Mechanical Screw(4*12)
8P



07170-Cap Head
Mechanical Screw(4*16)
8P



07171-Cap Head
Mechanical Screw(4*20)
8P



07172-Cap Head
Mechanical Screw(4*35)
4P



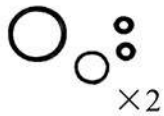
07174-Cap Head
Mechanical Screw(5*12)
10P



07183-Cap Head
Mechanical Screw(5*28)
4P



07173-Cap Head
Mechanical Screw(4*60)
4P



07195-O-Ring
×2



07196-Front Shock Main
Axle+Nut M3+Pads
(80mm)
×2



07197 -Rear Shock Main
Axle+Nut M3 +Pads
(85mm)
×2



07198-Front Shock
Spring (Short)
×2



07199-Rear Shock
Spring (Long)
×2



07200-Front Shock Body
×2



07201-Rear Shock Body
×2



50127-Shock Plastic
Parts
×2



50128-Shock Absorber
Cap+Ball Mount
×2



50118-Servo Horn



50210-Servo Horn



50223-Servo Horn



050023-Servo Horn (AL.)



050120-Servo Horn (AL.)

OPTIONAL PERFORMANCE PARTS



710001-Center Diff. Mount



710002-Front Upper Sus.Arm



710003-Front Upper Top Plate



710004-Front Shock Tower



710005-Rear Shock Tower



710006-Rear Axle Mount



710007-Diff.Mount Set



710008-Servo Set



710009-Rear Top Plate



710010-Steering Mount (L/R)



710011-Steering Rocker



710013-Steering Mount (L/R)



710014-Roll Cage



710015-Front Shock Absorber(Short) (AL.)



710016-Rear Shock Absorber (Long)(AL.)



710017-Front Lower Sus.



710018-Rear Lower Sus. Arm Holder



710019-Front Lower Sus. Arm Holder



710023-Center Dogbone(AL.)



710024-Center Dogbone(AL.)



710032- (AL.) Rear Lower Suspension (L/R) +Suspension Tab



710033-(AL.) Front Lower Suspension (L/R) +Suspension Tab



710028-Rear upper link (AL.)



30001-Engine (30CCPRO)



050033-Engine Recoil Star (AL.)



050032-Fuel Tank Cover (AL.)



700001-Polished Exhaust Pipe (AL.)



050034-Engine Cover (AL.)



050029-Shock Absorber Protective Cap (AL.)



050028-Air Filter (AL.)



FAST  AFFORDABLE  FUN

www.redcatracing.com

 Follow us on FaceBook: <https://www.facebook.com/RedcatRacing>

MAN-RAMPAGEXTE-2016-12-05

- To ensure that you are using the most recent version of this manual:
www.redcatracing.com/manuals/RAMPAGEXTMANUAL.pdf
- To ensure that you have the most recent version of the Gas Vehicles Manual:
www.redcatracing.com/manuals/GAS-MANUAL.pdf