

Name: \_\_\_\_\_ Date: \_\_\_\_\_ Event: \_\_\_\_\_ Track: \_\_\_\_\_

**Track Conditions**

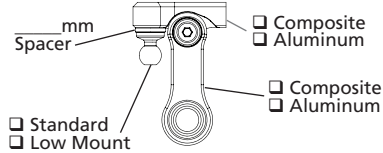
Indoor    Clay    Carpet    Tight    Smooth    Hard Packed    Blue Groove    Wet   Bite:  Low    Med    High   Other: \_\_\_\_\_  
 Outdoor    Dirt    Astro    Open    Rough    Loose/Loamy    Dry    Dusty   Tread:  Pin    Ghost    Slicks

**Front Suspension**

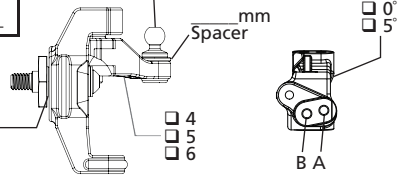
|             |    |
|-------------|----|
| Ride Height | mm |
| Camber      | °  |
| Toe         | °  |
| Sway Bar    | mm |
| Notes:      |    |

- 2mm
- 3mm
- 4mm

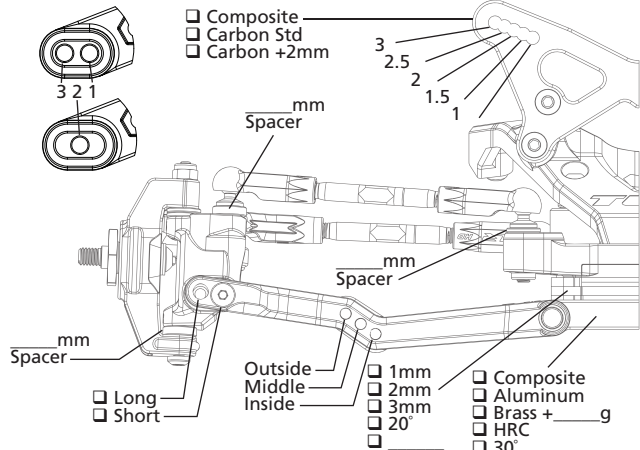
- 1.0
- 0.5
- 0.0



- Standard
- Low Mount



- 0'
- 5'

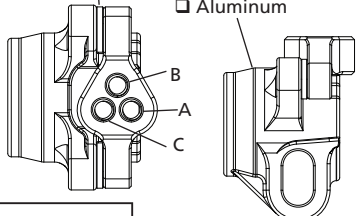


**Rear Suspension**

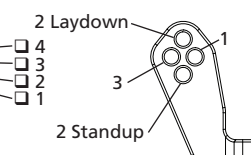
|             |    |
|-------------|----|
| Ride Height | mm |
| Camber      | °  |
| Sway Bar    | mm |
| Notes:      |    |

mm Spacer

- Composite
- Aluminum



- 4.5
- 5.0
- 5.5
- 6.0
- Std



- Composite
- Carbon Std
- Carbon +2mm

- 67mm
- 68mm
- X67mm
- X68mm

- Shock Location
- Front
- Rear

mm Spacer

mm Spacer

Outside  
Middle  
Inside

- 0    +1.0    +1.75    +2.5    +3.5    +1    0    -1

**Chassis**

| Drive Train    |  |
|----------------|--|
| Diff Type      | <input type="checkbox"/> Ball Diff <input type="checkbox"/> Gear Diff        |
| Setting/Fluid  |  |
| Internal Gears | <input type="checkbox"/> Steel <input type="checkbox"/> Composite            |
| Planet Gears   | <input type="checkbox"/> 2 <input type="checkbox"/> 4                        |
| Slipper        | <input type="checkbox"/> Slipper <input type="checkbox"/> Direct Drive       |
| Slipper Pads   | <input type="checkbox"/> Torque/Yellow <input type="checkbox"/> Drive/Orange |

| Aerodynamics |   |
|--------------|---|
| Body         |   |
| Fr Wing      |   |
| Rr Wing      |   |
| Wicker       |   |
| Angle        | ° |
| Notes        |   |

| Tires    |  |      |
|----------|--|------|
|          | Front  | Rear |
| Brand    |  |      |
| Tread    |  |      |
| Compound |  |      |
| Insert   |  |      |
| Sauce    |  |      |
| Wheel    | <input type="checkbox"/> Standard <input type="checkbox"/> Stiffezel |      |
| Notes    |  |      |

**Shocks**

|              | Front   | Rear  |
|--------------|---|---|
| Shock Caps   |   |   |
| Oil          |   |   |
| Piston       | <input type="checkbox"/> Thin   | <input type="checkbox"/> Thin   |
| Limiter, Int | mm  | mm  |
| Shaft Dia    | <input type="checkbox"/> 3.0mm <input type="checkbox"/> 3.5mm                           | <input type="checkbox"/> 3.0mm <input type="checkbox"/> 3.5mm                           |
| Limiter, Ext | mm  | mm  |
| Stroke       | mm  | mm  |
| Eyelet       | <input type="checkbox"/> Std <input type="checkbox"/> +2mm                              | <input type="checkbox"/> Std <input type="checkbox"/> +2mm                              |
| Spring       |   |   |
| Spring Cup   | <input type="checkbox"/> Low <input type="checkbox"/> Mid <input type="checkbox"/> High | <input type="checkbox"/> Low <input type="checkbox"/> Mid <input type="checkbox"/> High |

**Electronics**

|            |   |               |   |
|------------|---|---------------|---|
| Radio      |   | ESC           |   |
| Servo      |   | Thro Prof     |   |
| Battery    |   | Timing Adv    |   |
| Battery Wt | g | Initial Brake |   |
| Motor      |   | Drag Brake    |   |
| Gearing    | / | Thr/Bra EPA   | / |

