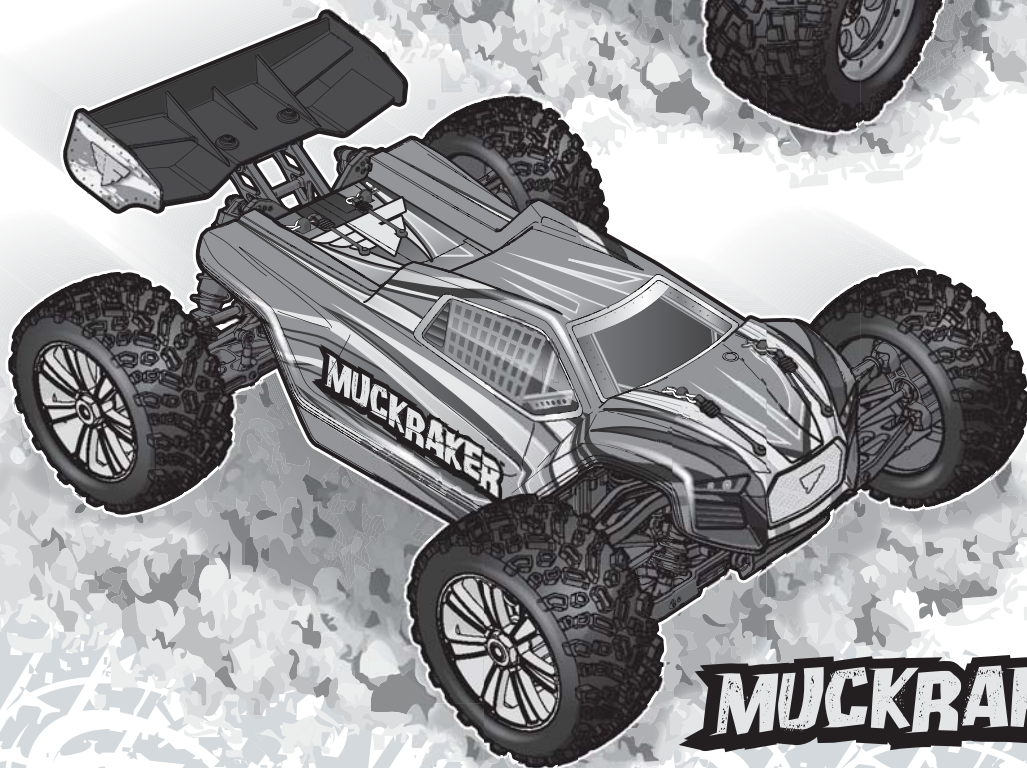


FORCE RC®



EPIDEMIC™

1/8 4WD MONSTERTRUCK
FCES04000



MUCKRAKER™

1/8 4WD ELECTRIC TRUGGY
FCES04001

INSTRUCTION MANUAL
MANUEL D'UTILISATION

NOTICE

All instructions, warranties and other collateral documents are subject to change at the sole discretion of Horizon Hobby, LLC. For up-to-date product literature, visit <http://www.horizonhobby.com> and click on the support tab for this product.

Meaning of Special Language:

The following terms are used throughout the product literature to indicate various levels of potential harm when operating this product:

WARNING: Procedures, which if not properly followed, create the probability of property damage, collateral damage, and serious injury OR create a high probability of superficial injury.

CAUTION: Procedures, which if not properly followed, create the probability of physical property damage AND a possibility of serious injury.

NOTICE: Procedures, which if not properly followed, create a possibility of physical property damage AND little or no possibility of injury.



WARNING: Read the ENTIRE instruction manual to become familiar with the features of the product before operating. Failure to operate the product correctly can result in damage to the product, personal property and cause serious injury.

This is a sophisticated hobby product and NOT a toy. It must be operated with caution and common sense and requires some basic mechanical ability. Failure to operate this Product in a safe and responsible manner could result in injury or damage to the product or other property. This product is not intended for use by children without direct adult supervision. Do not use with incompatible components or alter this product in any way outside of the instructions provided by Horizon Hobby, LLC. This manual contains instructions for safety, operation and maintenance. It is essential to read and follow all the instructions and warnings in the manual, prior to assembly, setup or use, in order to operate correctly and avoid damage or serious injury.

Age Recommendation: Not for children under 14 years. This is not a toy.

Safety Precautions and Warnings

As the user of this product, you are solely responsible for operating in a manner that does not endanger yourself and others or result in damage to the product or property of others.

This model is controlled by a radio signal subject to interference from many sources outside your control. This interference can cause momentary loss of control, so it is advisable to always keep a safe distance in all directions around your model as this margin will help avoid collisions or injury.

- Never operate your model with low transmitter batteries.
- Always operate your model in open spaces away from full-size vehicles, traffic and people.
- Never operate the model in the street or in populated areas for any reason.
- Carefully follow the directions and warnings for this and any optional support equipment (chargers, rechargeable battery packs, etc.) you use.

- Keep all chemicals, small parts and anything electrical out of the reach of children.
- Never lick or place any portion of the model in your mouth as it could cause serious injury or even death.
- Exercise caution when using tools and sharp instruments.
- Take care during maintenance as some parts may have sharp edges.
- Immediately after using your model, do NOT touch equipment such as the motor, electronic speed control and battery, because they generate high temperatures. You may burn yourself seriously touching them.
- Do not put fingers or any objects inside rotating and moving parts, as this may cause damage or serious injury.
- Always turn on your transmitter before you turn on the receiver in the car. Always turn off the receiver before turning your transmitter off.
- Keep the wheels of the model off the ground when checking the operation of the radio equipment.

TABLE OF CONTENTS

| | | | |
|--|-----------|---|-----------|
| Water Resistant Vehicle with Waterproof Electronics | 3 | Binding | 10 |
| Box contents | 4 | Failsafe | 10 |
| Specifications | 4 | Recommended Upgrades | 11 |
| Vehicle Preparations | 4 | Troubleshooting Guide | 11 |
| Charging the Vehicle Battery | 4 | Limited Warranty | 12 |
| CHARGING WARNINGS | 4 | Contact Information | 13 |
| Removing or Installing The Vehicle Body | 5 | FCC Information | 13 |
| Installing The Battery In The Vehicle | 5 | IC Information | 13 |
| Transmitter Controls..... | 6 | Replacement Parts | 26 |
| Getting Started..... | 7 | Optional Parts | 27 |
| Operation | 7 | Recommended Tools | 27 |
| When You Are Finished | 8 | Parts Diagram (Drivetrain) | 27 |
| Maintenance | 8 | Parts Diagram (Front End) | 28 |
| Motor care | 8 | Parts Diagram (Rear End) | 29 |
| Shock Cleaning..... | 8 | Parts Diagram (Center Chassis) | 30 |
| Electronic Speed Control (ESC) Functions..... | 9 | Parts Diagram (Bodies) | 31 |
| Component Specifications | 10 | Shock Parts Diagram | 31 |
| Electrical Layout..... | 10 | | |

WATER-RESISTANT VEHICLE WITH WATERPROOF ELECTRONICS

Your new Force RC Epidemic or Muckraker is equipped with waterproof electronics.

- **DO NOT** submerge this product under water for any period of time. If it is submerged, it may result in damage or loss of function.
- **DO NOT** pour water onto or allow excess water to come in direct contact with the product.
- **DO NOT** use this product in wet or moist conditions such as puddles, mud, and heavy wet or dew-covered grass.
- **DO NOT** operate this product in heavy rain or snow.

In case of excess exposure to water or debris, immediately remove the component, wipe down the exterior with a soft cloth, and allow it to fully dry before next use.



CAUTION: Failure to exercise caution while using this product and complying with the following precautions could result in product malfunction and/or void the warranty.

General Precautions

- Read through the wet conditions maintenance procedures and make sure that you have all the tools you will need to properly maintain your vehicle.
- Not all batteries can be used in wet conditions. Consult the battery manufacturer before use. Caution should be taken when using Li-Po batteries in wet conditions.
- Most transmitters are not water-resistant. Consult your transmitter's manual or the manufacturer before operation.
- Never operate your transmitter or vehicle where lightning may be present.
- Do not operate your vehicle where it could come in contact with salt water (ocean water or water on salt-covered roads), contaminated or polluted water. Salt water is very conductive and highly corrosive, so use caution.

Wet Conditions Maintenance

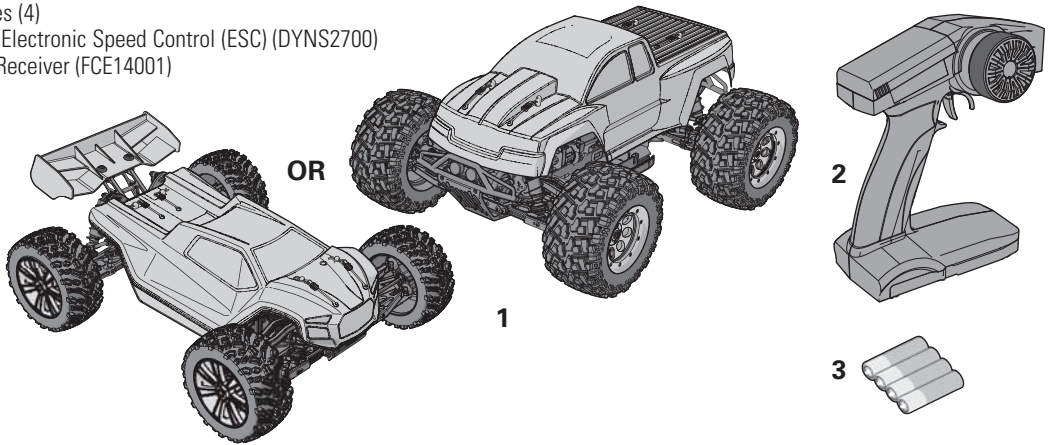
- Remove the battery pack(s) and dry the contacts. If you have an air compressor or a can of compressed air, blow out any water that may be inside the recessed connector housing.
- Remove the tires/wheels from the vehicle and gently rinse the mud and dirt off with a garden hose. Avoid rinsing the bearings and transmission.

NOTICE: Never use a pressure washer to clean your vehicle.

- Use an air compressor or a can of compressed air to dry the vehicle and help remove any water that may have gotten into small crevices or corners.
- Spray the bearings, drive train, fasteners and other metal parts with a water-displacing light oil or lubricant. Do not spray the motor.
- Let the vehicle air dry before you store it. Water (and oil) may continue to drip for a few hours.
- Increase the frequency of disassembly, inspection and lubrication of the following:
 - Front and rear axle hub assembly bearings.
 - All transmission cases, gears and differentials.
 - Motor—re-oil the bearings with lightweight motor oil.

BOX CONTENTS

1. Force RC® Epidemic™ Monster Truck (FCES0400) or Muckraker™ Truggy (FCES04001)
2. Force RC® Pistol Grip Transmitter (FCE14000)
3. AA Batteries (4)
4. Dynamite® Electronic Speed Control (ESC) (DYNS2700)
5. Force RC® Receiver (FCE14001)



SPECIFICATIONS

| | |
|----------------------|--------------------------------------|
| Frequency | 2.4GHz |
| Run time | 8-10 minutes |
| Compatible Batteries | 2 2S or 1-4S LiPo with EC5 connector |

VEHICLE PREPARATIONS

CHARGING THE VEHICLE BATTERY

Neither a battery or charger are included with your vehicle. Follow the manufacturers' instructions for a compatible battery and charger of your choice.

⚠ CAUTION: If at any time during the charge process the battery pack(s) becomes hot to the touch, unplug the battery immediately and discontinue the charge process.

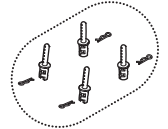
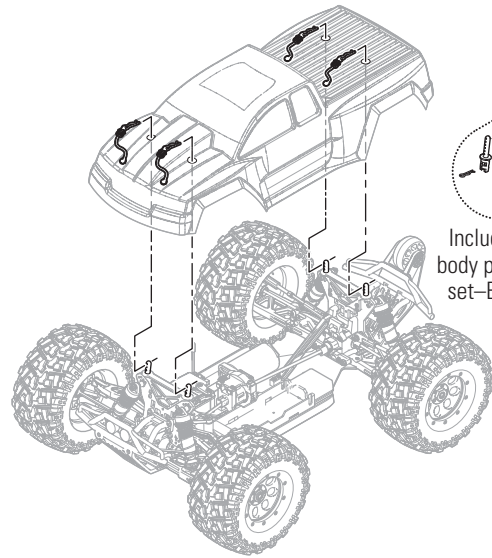
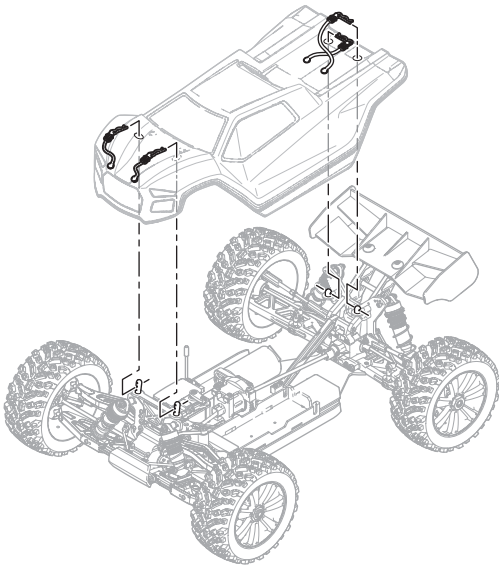
CHARGING WARNINGS

⚠ WARNING: Failure to exercise caution while using this product and comply with the following warnings could result in product malfunction, electrical issues, excessive heat, FIRE, and ultimately injury and property damage.

- **NEVER LEAVE CHARGING BATTERIES UNATTENDED.**
- **NEVER CHARGE BATTERIES OVERNIGHT.**
- Read all safety precautions and literature prior to use of this product.
- Never leave the battery and charger unattended during use.
- Never allow children under 14 years of age to charge battery packs.
- Never attempt to charge dead or damaged batteries.
- Never charge a battery if the cable has been pinched or shorted.

- Never allow batteries or charger to come into contact with moisture at any time.
- Never charge batteries in extremely hot or cold places (recommended between 50–80°F (10–26°C)) or place in direct sunlight.
- Always use only Ni-MH rechargeable batteries. This charger cannot charge batteries such as "heavy duty", "alkaline", "mercury" or "lithium" battery.
- Always connect to the charger correctly.
- Always disconnect the battery and charger after charging and let them cool between charges.
- Always inspect the battery before charging.
- Always terminate all processes and contact Horizon Hobby if the product malfunctions.
- Always make sure you know the specifications of the battery to be charged or discharged to ensure it meets the requirements of this charger.
- Always constantly monitor the temperature of the battery pack while charging.
- Always end the charging process if the charger or battery becomes hot to the touch or starts to change form during the charge process.
- Always charge in a well ventilated area.

REMOVING OR INSTALLING THE VEHICLE BODY

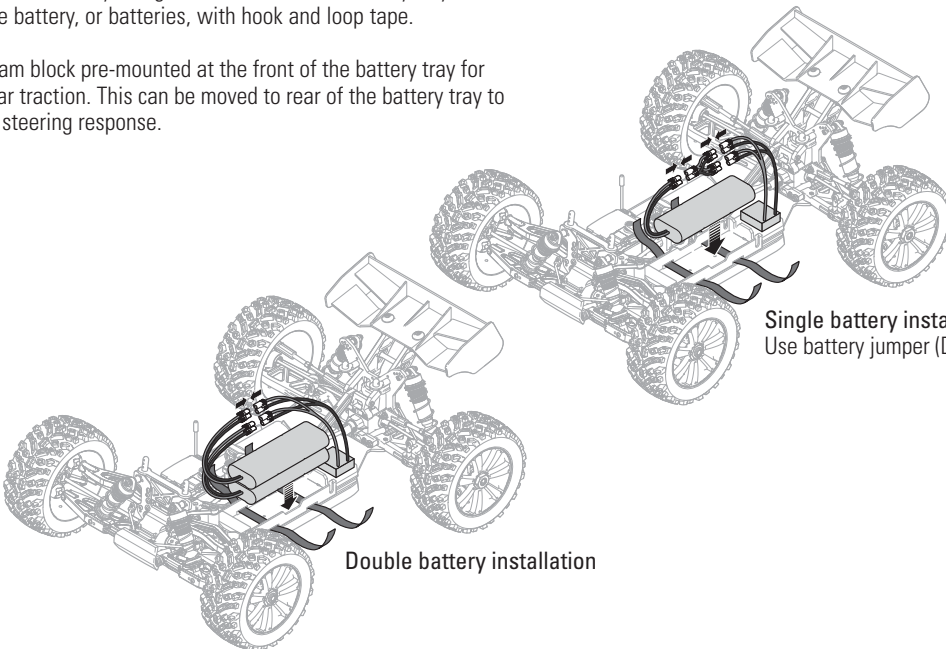


Included optional
body post extension
set—Epidemic MT
ONLY

INSTALLING THE BATTERY IN THE VEHICLE

1. Install one or two fully charged batteries into the battery tray.
2. Secure the battery, or batteries, with hook and loop tape.

There is a foam block pre-mounted at the front of the battery tray for maximum rear traction. This can be moved to rear of the battery tray to increase the steering response.



Single battery installation:
Use battery jumper (DYNC0166).

Double battery installation

TRANSMITTER CONTROLS

Reverse Switch

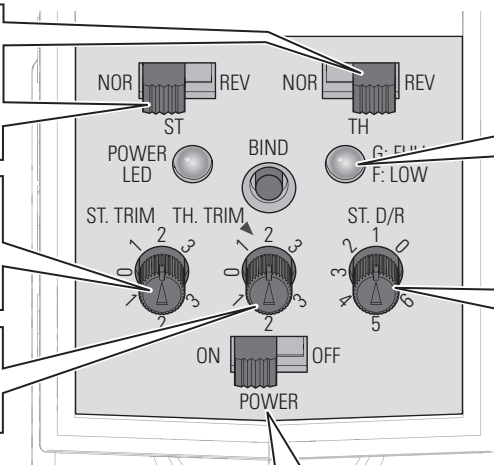
Allows you to change the direction of steering (ST. REV) and throttle (TH. REV) controls (Ensure proper function with a radio system test)

Steering Trim

Adjust to make the model drive straight with no input at the steering wheel

Throttle Trim

Adjusts the neutral point of the electronic speed control



Battery Level Indicator

- Solid Green: Battery voltage is good (above 4V)
- Flashing Green: Battery voltage is critically low (below 4V). Replace transmitter batteries

Steering Rate

Adjusts the amount the front wheels move when the steering wheel is turned left or right.

Power Switch

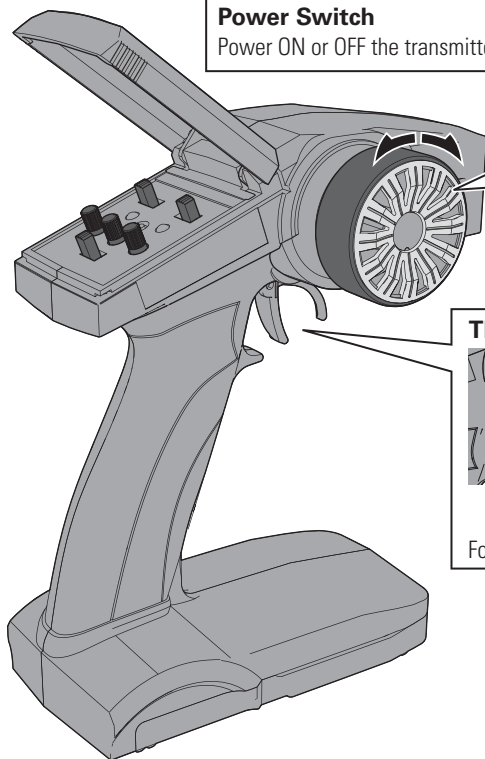
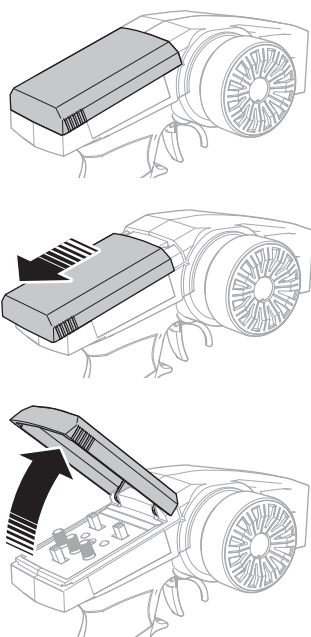
Power ON or OFF the transmitter

Steering Wheel

Controls RIGHT and LEFT steering

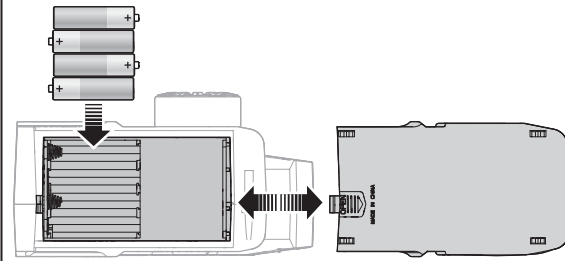
Throttle Trigger

- Controls power to the motor for forward or reverse
- Reverse (in TH NOR mode)
- Stop
- Forward (in TH NOR mode)



GETTING STARTED

1. Install the transmitter batteries



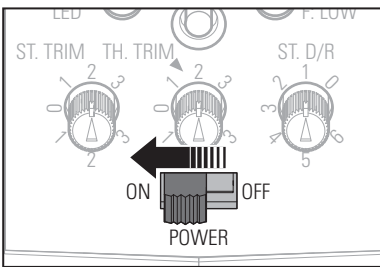
1. Open the panel on the bottom of the transmitter.
2. Obey the battery plus (+) and minus (-) diagram in the transmitter to install 4 AA batteries.
3. Close the panel.

We recommend using only alkaline AA batteries in the transmitter.

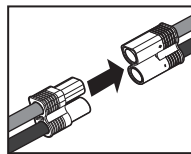
CAUTION: If using rechargeable batteries, charge only rechargeable batteries. Charging non-rechargeable batteries may cause the batteries to burst, resulting in injury to persons and/or damage to property.

- Never install damaged batteries.
- Never install batteries of mixed types or of different ages in the transmitter.
- Always remove exhausted batteries.
- Always remove batteries before storing the transmitter.
- Low battery power can result in loss of control of the RC vehicle.

2. Power ON the transmitter.

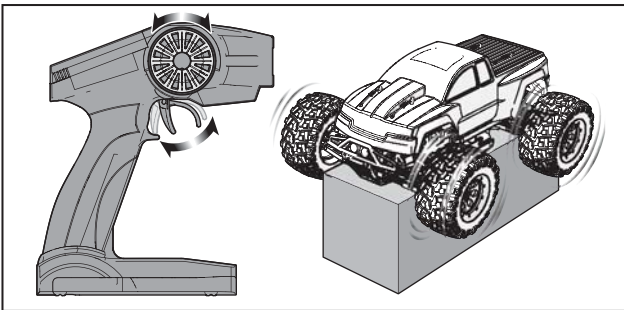


3. Connect the vehicle battery, or batteries, to the ESC

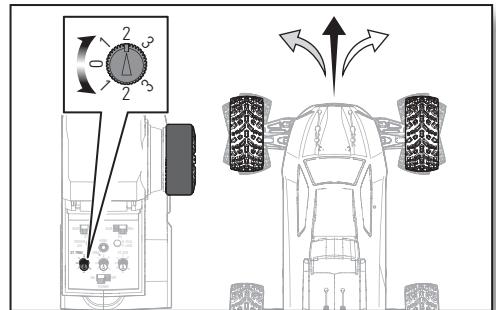


NOTICE: The ESC will be supplied with 2 EC5 connectors for 2 2S batteries installation. For a single 4 cell battery, a DYNC0166 is installed into 1 of the ESC's EC5 connectors.

4. Do a test of the transmitter's control of the vehicle with the vehicle's wheels off the ground.



5. Start driving slowly, if the vehicle does not go straight, adjust the steering trim buttons on the transmitter.



OPERATION

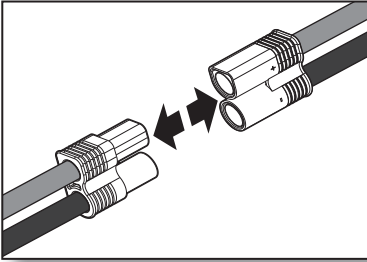
- ALWAYS turn on your transmitter before you turn on the receiver in the vehicle. Always power off the receiver before turning your transmitter off.
- ALWAYS operate your vehicle in a wide open area. Operating the vehicle in a small space or indoors can cause overheating at low speeds. Operating at low speed increases heat in the electronic speed control (ESC). Overheating can damage the vehicle and failure may result.
- If high speed runs are what you are after, use the supplied/ optional larger pinion gear. With this gearing, only run on hard smooth surfaces and avoid abrupt starts and stops. A cool-down period between every couple of passes is recommended as well in order to keep the electronic components operating temperatures in check.

CAUTION: If you stray very far from the stock gearing, you risk overheating the electronic components (motor, ESC and batteries) when play or bash style driving in heavy grass or muddy conditions. So for play or bash style running with a lot of stop and go style of driving, use the factory installed smaller pinion gear.

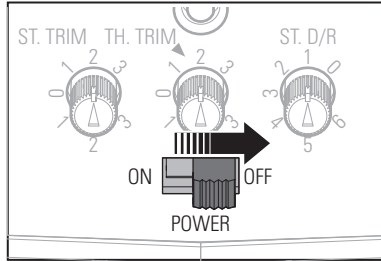
CAUTION: When play or bash style driving in heavy load conditions (such as in thick heavy grass or muddy conditions) or prefer a driving style that encounters a lot of stop and go throttle inputs, DO NOT use the larger optional pinion gear as it will overheat and shorten the life of the electronics.

WHEN YOU ARE FINISHED

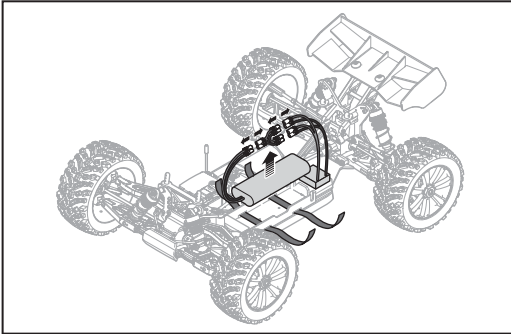
1. Disconnect the battery, or batteries, from the Electronic Speed Control (ESC)



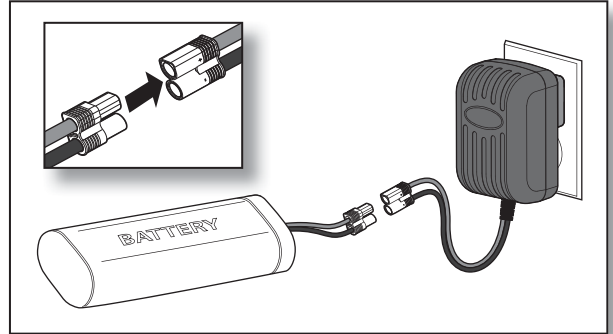
2. Power OFF the transmitter.



3. Remove the battery, or batteries, from the vehicle.



4. Recharge the battery, or batteries.



MAINTENANCE

MOTOR CARE

- Prolong motor life by preventing overheating conditions. Overheating results from using a pinion gear that is too large, frequent turns, stops and starts, pushing objects, driving in water and tall grass, and driving continuously up hill.
- Over-temperature protection is installed on the ESC to prevent circuit damage, but cannot protect the motor from driving against heavy resistance.

SHOCK CLEANING

Oil-filled shocks will require regular maintenance due to the oil breaking down or getting dirty. This maintenance should be performed after about every 3 to 5 hours of use, depending on the conditions that the vehicle is used in.

- Remove the shock from the vehicle.
- Remove the cap from the shock body and dispose of fluid.
- Disassemble the shock. Clean thoroughly with DYN5505. Dry parts before assembly.
- Re-assemble the shock and refill the shock body with silicone fluid (80 weight recommended).
- Slowly move the shaft and piston up and down to remove air bubbles.
- Move the piston to the midway point of the body and install the cap.
- Wipe off any overflowing fluid.
- When properly filled, the piston should rebound about 3/8 in (9.5mm) after being pushed in fully.
- Re-install the shock on the vehicle.

ESC FUNCTIONS

| Programmable Items | Programmable Value | | | | | | | | |
|----------------------|--------------------|-----------------------------|---------------------|-----------|-----------|-----------|---------|---------|---------|
| | 1 | 2 | 3 | 4 | 5 | 6 | 7 | 8 | 9 |
| 1 Running Mode | Forward with Brake | Forward/ Reverse with Brake | Forward and Reverse | | | | | | |
| 2 Drag Brake Force | 0% | 5% | 10% | 20% | 40% | 60% | 80% | 100% | |
| 3 Low Voltage Cutoff | Non-protection | 2.6V/Cell | 2.8V/Cell | 3.0V/Cell | 3.2V/Cell | 3.4V/Cell | | | |
| 4 Start Mode (Punch) | Level 1 | Level 2 | Level 3 | Level 4 | Level 5 | Level 6 | Level 7 | Level 8 | Level 9 |
| 5 Max Brake Force | 25% | 50% | 75% | 100% | Disable | | | | |

The shaded setting is the factory default.

Programmable Values

- 1. Running Mode:** In “Forward with Brake” mode, the car can go forward and brake, but cannot go backward, this mode is suitable for competition; “Forward/Reverse with Brake” mode provides backward function, which is suitable for daily training. Note: “Forward/Reverse with Brake” mode uses “Double-click” method to make the car go backward. When you move the throttle stick from forward zone to backward zone for the first time (The 1st “click”), the ESC begins to brake the motor, the motor speeds down but it's still running, not completely stopped, so the backward action is NOT happened immediately. When the throttle stick is moved to the backward zone again (The 2nd “click”), if the motor speed is slowed down to zero (i.e. stopped), the backward action will happen. The “Double-Click” method can prevent mistakenly reversing action when the brake function is frequently used in steering. By the way, in the process of braking or reversing, if the throttle stick is moved to forward zone, the motor will run forward at once. “Forward/Reverse” mode uses “Single-click” to make the car go backward. When you move the throttle stick from forward zone to backward zone, the car will go backward immediately. This mode is usually used for the Rock Crawler.
- 2. Drag Brake Force:** Set the amount of drag brake applied at neutral throttle to simulate the slight braking effect of a neutral brushed motor while coasting.
- 3. Low Voltage Cut-Off:** The function prevents the lithium battery pack from over discharging. The ESC detects the battery's voltage at any time, if the voltage is lower than the threshold for 2 seconds, the output power will be cut off, and the red LED flashes in such a way: “•-, •-, •-”.
- 4. Start Mode** (Also called “Punch”): Select from “Level1” to “Level9” as you like. Level1 has a very soft start effect, while Level9 has a very aggressive start effect. From Level1 to Level9, the start force is increasing. Please note that if you choose “Level7” to “Level9” mode, you must use good quality battery with powerful discharge ability, otherwise these modes cannot get the burst start effect as you want. If the motor cannot run smoothly (that means the motor is trembling), it may caused by the weak discharge ability of the battery, please choose a better one or a softer gear ratio.
- 5. Maximum Brake Force:** The ESC provides proportional brake function. The brake force is related to the position of the throttle stick. Maximum brake force refers to the force when the throttle stick is located at the end point of the backward zone. A very large brake force can shorten the brake time, but it may damage the gears. The “Disable” option inhibits the inherent brake function of the speed controller. When this option is selected, the brake function is realized by a traditional mechanical disc-brake system driven by a servo.

Reset All Items To Default Values At any time when the throttle is located in neutral zone (except in the throttle calibration or parameters program process), hold the “SET” key for over 3 seconds, the red LED and green LED will flash at the same time , which means each programmable item has been reset to its default value. It needs to be restarted to complete the whole process.

| Operation | LED Status | Sound at Power UP |
|--|---------------------|--|
| Stop | OFF | Motor beeps and green LED blinks with the recognized input voltage/cell count. Example: ‘beep-beep-beep-beep’ designates that a 4s battery is connected. |
| Forward | Solid Red | |
| Forward (full speed) | Solid Red and Green | |
| Reverse | Solid Red | |
| Brake | Solid Red | |
| Brake (full brake) When maximum brake force is set to 100% | Solid Red and Green | |

COMPONENT SPECIFICATIONS

Transmitter

| | |
|--------------|------------|
| Frequency | 2.4GHz |
| Channels | 2 |
| Power supply | 4 AA cells |

Electronic Speed Control (ESC) DYNS2700

| | |
|-----------------------|----------------------------------|
| Input Voltage | 3-8S LiPo |
| Constant/Peak Current | 100A/650A |
| Resistance | 0.0005 ohm |
| Programming Port | FAN / PRG Port |
| BEC Voltage | 6V/5A, Switch mode |
| Size | 59.5mm (L) × 48mm (W) × 42mm (H) |
| Weight | 173 g |

Receiver

| | |
|---------|------------------------------------|
| Size | 37.8mm (L) × 22.5mm (W) × 13mm (H) |
| Weight | 5 Grams |
| Voltage | 4.5V-6.5V |

Servo

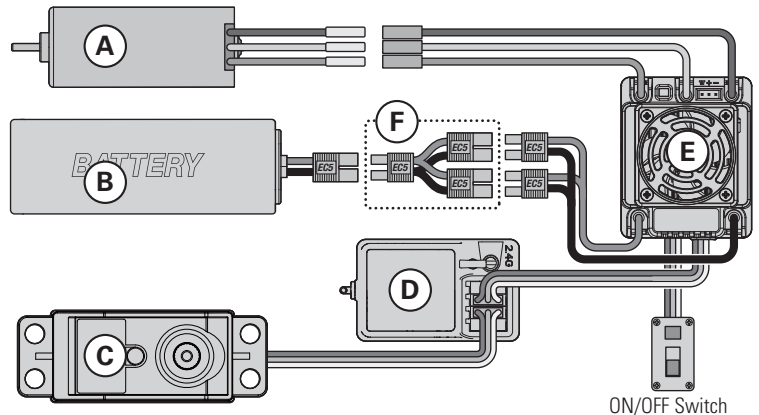
| | |
|-----------------|------------------------------------|
| Voltage | 6.0V~7.4V |
| Output Torque | 14 kg-cm @ 6.0V |
| Operating Speed | 0.2sec/60 degrees of travel @ 6.0V |
| Size | 40mm (L) × 20mm (W) × 38.5mm (H) |

Motor

| | |
|-------|----------------|
| Type | 4274 Brushless |
| Turns | Kv -- 1600 |

ELECTRICAL LAYOUT

For correct operation, Channels 1 and 2 must be used as shown in the wiring diagram. The motor can be disconnected from the ESC at the connectors in the wiring.



| | Included Part # | Replacement Part # | Description |
|---|-----------------|---|--|
| A | DYNS1632 | DYNS1632 | Motor |
| B | Not included | DYNB3804EC, DYNB3854EC, DYNB3810EC, DYNB3857EC, DYNB3855EC, | 14.8V Battery, 15.2V Battery, 7.4V Battery, 15.2V Battery, 7.6V Battery, |
| C | SPMSS6280 | SPMSS6280 | Steering Servo |
| D | FCES14001 | FCES14001 | Receiver |
| E | DYNS2700 | DYNS2700 | Electronic Speed Control (ESC) |
| E | DYNC0166 | DYNC0166 | EC5 Battery Jumper (use when only one battery is installed) |

BINDING

Binding is the process of programming the receiver to recognize the GUID (Globally Unique Identifier) code of a single specific transmitter. The FCES14000 transmitter and FCES14001 receiver are bound at the factory. If you need to rebind, follow the instructions below.

1. Install the transmitter batteries and power OFF the transmitter.
2. Insert the bind plug into the BIND/CH3 port of the receiver.
3. Connect the battery to the VCC port of the receiver. The two LEDs will flash indicating BIND mode.
4. Press and hold the BIND button on the transmitter, then power ON the transmitter.
5. When the LED on the receiver stops flashing after approximately 5 seconds, the transmitter and receiver are successfully bound.
6. Release the BIND button on the transmitter and remove the BIND plug from the receiver.

FAILSAFE

In the unlikely event that the radio link is lost during use, the receiver will drive the servos to their pre-programmed failsafe positions (normally full brakes and straight steering). If the receiver is turned on prior to turning on the transmitter, the receiver will enter failsafe mode, driving the servos to their preset failsafe positions. When the transmitter is turned on, normal control is resumed. To set failsafe, follow these steps.

1. Power ON the transmitter.
2. Power on the receiver, the LED will light up.
3. Adjust the transmitter's throttle until the vehicle stops.
4. Press the "Setting" button on the receiver. The LED will flash for 3 seconds then go off, indicating FAILSAFE is set.

Failsafe must be set every time the system is bound. Binding will reset the failsafe setting.

RECOMMENDED UPGRADES

| Part # | Description |
|------------|---------------------------------------|
| DYNB3804EC | 14.8V 5000mAh 4S 50C LiPo, Hardcase |
| DYNB3854EC | 15.2V HV 5000mAh 4S 50C LiPo, Case |
| DYNB3810EC | 7.4V 5000mAh 2S 50C LiPo, Hardcase |
| DYNB3857EC | HV 15.2V 6500mAh 4S 50C LiPo, Case |
| DYNB3855EC | HV 7.6V 5000mAh 2S 50C LiPo, Case |
| DYNC3005 | Passport 400W Dual ACDC Touch Charger |
| DYNC2050 | Prophet Sport 4 X 100WAC/DC Charger |
| DYNC2025 | Prophet Sport Duo 50w x 2AC Charger |
| DYNC3000 | Ultra 100W ACDC Touch Charger |

TOUBLESHOOTING GUIDE

| Problem | Possible Cause | Solution |
|---|---|---|
| Short Run Time | <ul style="list-style-type: none"> • Battery damaged/not charged • Motor dirty or brushes worn | <ul style="list-style-type: none"> • Check/change battery • Check/clean/replace |
| Sluggish Action | <ul style="list-style-type: none"> • Bind in drivetrain • Vehicle battery is not charged • ESC calibration incorrect | <ul style="list-style-type: none"> • Clean/adjust • Replace/recharge • Recalibrate ESC |
| Controls Reversed | <ul style="list-style-type: none"> • ST. REV or TH. REV | <ul style="list-style-type: none"> • Change switch position |
| Motor/ESC overheat | <ul style="list-style-type: none"> • Running conditions putting a high strain on the power system | <ul style="list-style-type: none"> • Avoid overly tall grass and muddy conditions |
| Doesn't Operate | <ul style="list-style-type: none"> • Transmitter batteries low • Transmitter powered off • ESC powered off • Vehicle battery is not charged • Loss of bind | <ul style="list-style-type: none"> • Replace/recharge • Power On • Power On • Replace/recharge • Check for proper transmitter to receiver bind |
| Poor Range | <ul style="list-style-type: none"> • Transmitter batteries low • Receiver antenna damaged | <ul style="list-style-type: none"> • Replace/recharge • Check/repair/replace |
| The system will not connect | <ul style="list-style-type: none"> • Transmitter and receiver too near each other • Transmitter and receiver too near large metal objects (vehicles, etc.) • Receiver accidentally put in bind mode so receiver is no longer bound | <ul style="list-style-type: none"> • Move transmitter 8–12 feet (2.4–3.6m) from receiver • Move away from large metal objects (vehicles, etc.) • Rebind transmitter and receiver |
| The receiver goes into failsafe mode a short distance away from the transmitter | <ul style="list-style-type: none"> • Check the receiver antenna to be sure it is not cut or damaged | <ul style="list-style-type: none"> • Contact Horizon Product Support • Make sure receiver antenna is in an antenna tube and is above vehicle |
| The receiver quits responding during operation | <ul style="list-style-type: none"> • Low battery voltage • Loose or damaged wires or connectors between battery and receiver | <ul style="list-style-type: none"> • Completely recharge battery • Do a check of the wires and connection between battery and receiver. Repair or replace wires and/or connectors |
| Receiver loses its bind | <ul style="list-style-type: none"> • Transmitter accidentally put in bind mode, ending bind to receiver | <ul style="list-style-type: none"> • Bind transmitter to receiver |

LIMITED WARRANTY

DATE OF PURCHASE LIMITED WARRANTY

Horizon Hobby, LLC, (Horizon) warrants to the original purchaser that the product purchased (the "Product") will be free from defects in materials and workmanship at the date of purchase.

What is Not Covered - This warranty is not transferable and does not cover (i) cosmetic damage, (ii) damage due to acts of God, accident, misuse, abuse, negligence, commercial use, or due to improper use, installation, operation or maintenance, (iii) modification of or to any part of the Product, (iv) attempted service by anyone other than a Horizon Hobby authorized service center, (v) Product not purchased from an authorized Horizon dealer, (vi) Product not compliant with applicable technical regulations, or (vii) use that violates any applicable laws, rules, or regulations.

OTHER THAN THE EXPRESS WARRANTY ABOVE, HORIZON MAKES NO OTHER WARRANTY OR REPRESENTATION, AND HEREBY DISCLAIMS ANY AND ALL IMPLIED WARRANTIES, INCLUDING, WITHOUT LIMITATION, THE IMPLIED WARRANTIES OF NON-INFRINGEMENT, MERCHANTABILITY AND FITNESS FOR A PARTICULAR PURPOSE. THE PURCHASER ACKNOWLEDGES THAT THEY ALONE HAVE DETERMINED THAT THE PRODUCT WILL SUITABLY MEET THE REQUIREMENTS OF THE PURCHASER'S INTENDED USE.

Purchaser's Remedy - Horizon's sole obligation and purchaser's sole and exclusive remedy shall be that Horizon will, at its option, either (i) service, or (ii) replace, any Product determined by Horizon to be defective. Horizon reserves the right to inspect any and all Product(s) involved in a warranty claim. Service or replacement decisions are at the sole discretion of Horizon. Proof of purchase is required for all warranty claims. SERVICE OR REPLACEMENT AS PROVIDED UNDER THIS WARRANTY IS THE PURCHASER'S SOLE AND EXCLUSIVE REMEDY.

Limitation of Liability - HORIZON SHALL NOT BE LIABLE FOR SPECIAL, INDIRECT, INCIDENTAL OR CONSEQUENTIAL DAMAGES, LOSS OF PROFITS OR PRODUCTION OR COMMERCIAL LOSS IN ANY WAY, REGARDLESS OF WHETHER SUCH CLAIM IS BASED IN CONTRACT, WARRANTY, TORT, NEGLIGENCE, STRICT LIABILITY OR ANY OTHER THEORY OF LIABILITY, EVEN IF HORIZON HAS BEEN ADVISED OF THE POSSIBILITY OF SUCH DAMAGES. Further, in no event shall the liability of Horizon exceed the individual price of the Product on which liability is asserted. As Horizon has no control over use, setup, final assembly, modification or misuse, no liability shall be assumed nor accepted for any resulting damage or injury. By the act of use, setup or assembly, the user accepts all resulting liability. If you as the purchaser or user are not prepared to accept the liability associated with the use of the Product, purchaser is advised to return the Product immediately in new and unused condition to the place of purchase.

Law - These terms are governed by Illinois law (without regard to conflict of law principals). This warranty gives you specific legal rights, and you may also have other rights which vary from state to state. Horizon reserves the right to change or modify this warranty at any time without notice.

WARRANTY SERVICES

Questions, Assistance, and Services - Your local hobby store and/or place of purchase cannot provide warranty support or service. Once assembly, setup or use of the Product has been started, you must contact your local distributor or Horizon directly. This will enable Horizon to better answer your questions and service you in the event that you

may need any assistance. For questions or assistance, please visit our website at horizonhobby.com, submit an inquiry to productsupport@horizonhobby.com or call the toll-free telephone number referenced in the Warranty and Service Contact Information section to speak with a Product Support representative.

Inspection or Services - If this Product needs to be inspected or serviced and is compliant in the country you live and use the Product in, please use the Horizon Online Service Request submission process found on our website or call Horizon to obtain a Return Merchandise Authorization (RMA) number. Pack the Product securely using a shipping carton. Please note that original boxes may be included, but are not designed to withstand the rigors of shipping without additional protection. Ship via a carrier that provides tracking and insurance for lost or damaged parcels, as Horizon is not responsible for merchandise until it arrives and is accepted at our facility. An Online Service Request is available at http://www.horizonhobby.com/content/_service-center_render-service-center. If you do not have internet access, please contact Horizon Product Support to obtain a RMA number along with instructions for submitting your product for service. When calling Horizon, you will be asked to provide your complete name, street address, email address and phone number where you can be reached during business hours. When sending product into Horizon, please include your RMA number, a list of the included items, and a brief summary of the problem. A copy of your original sales receipt must be included for warranty consideration. Be sure your name, address, and RMA number are clearly written on the outside of the shipping carton. Provided warranty conditions have been met, your Product will be serviced or replaced free of charge. Service or replacement decisions are at the sole discretion of Horizon.

NOTICE: Do not ship LiPo batteries to Horizon. If you have any issue with a LiPo battery, please contact the appropriate Horizon Product Support office. Warranty Requirements - For Warranty consideration, you must include your original sales receipt verifying the proof-of-purchase date.

Non-Warranty Service - Should your service not be covered by warranty, service will be completed and payment will be required without notification or estimate of the expense unless the expense exceeds 50% of the retail purchase cost. By submitting the item for service you are agreeing to payment of the service without notification. Service estimates are available upon request. You must include this request with your item submitted for service. Non-warranty service estimates will be billed a minimum of ½ hour of labor. In addition you will be billed for return freight. Horizon accepts money orders and cashier's checks, as well as Visa, MasterCard, American Express, and Discover cards. By submitting any item to Horizon for service, you are agreeing to Horizon's Terms and Conditions found on our website http://www.horizonhobby.com/content/_service-center_render-service-center.

ATTENTION: Horizon service is limited to Product compliant in the country of use and ownership. If received, a non-compliant Product will not be serviced. Further, the sender will be responsible for arranging return shipment of the un-serviced Product, through a carrier of the sender's choice and at the sender's expense. Horizon will hold non-compliant Product for a period of 60 days from notification, after which it will be discarded.

10/15

CONTACT INFORMATION

| Country of Purchase | Horizon Hobby | Contact Information | Address |
|--------------------------|---|---|---|
| United States of America | Horizon Service Center (Repairs and Repair Requests) | servicecenter.horizonhobby.com/ RequestForm/ | 1608 Interstate Drive Champaign, Illinois, 61822 USA |
| | Horizon Product Support (Product Technical Assistance) | productsupport@horizonhobby.com 877-504-0233 | |
| | Sales | websales@horizonhobby.com 800-338-4639 | |

FCC INFORMATION

FCC ID: A6EFSCMYKQGT006

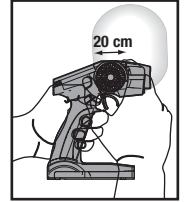
FCC Statement:

This equipment has been tested and found to comply with the limits for Part 15 of the FCC rules. These limits are designed to provide reasonable protection against harmful interference in a residential installation. This equipment generates, uses and can radiate radio frequency energy and, if not installed and used in accordance with the instructions, may cause harmful interference to radio communications.

However, there is no guarantee that interference will not occur in a particular installation. If this equipment does cause harmful interference to radio or television reception, which can be determined by turning the equipment off and on, the user is encouraged to try to correct the interference by one or more of the following measures:

- Reorient or relocate the receiving antenna.
- Increase the separation between the equipment and receiver.
- Connect the equipment to an outlet on a circuit different from that to which the receiver is connected.
- Consult the dealer or an experienced radio/TV technician for help.

This device complies with part 15 of the FCC rules. Operation is subject to the following two conditions: (1) This device may not cause harmful interference, and (2) this device must accept any interference received, including interference that may cause undesired operation.



Note: Modifications to this product will void the user's authority to operate this equipment.

RF Radiation Exposure Statement:

1. This Transmitter must not be co located or operating in conjunction with any other antenna or transmitter.
2. This equipment complies with FCC RF radiation exposure limits set forth for an uncontrolled environment. This equipment should be installed and operated with a minimum distance of 20 centimeters between the radiator and your body.

IC INFORMATION

IC: 23866-FCES14000

This device complies with Industry Canada licence-exempt RSS standard(s). Operation is subject to the following two conditions: (1) this device may not cause interference, and (2) this device must accept any interference, including interference that may cause undesired operation of the device.

REPLACEMENT PARTS / PIÈCES DE RECHANGE

| Item # / Pièce | Part number / Référence | Description | Description |
|-------------------|----------------------------|--|--|
| 1 | DYNS1632 | Fuze 1/8 4 Pole Brushless Motor 1600Kv | Moteur sans balais Fuze 1/8 4 pôles 1600Kv |
| 2 | DYNS2700 | Fuze 100A BL WP ESC | Fuze 100A BL WP ESC |
| 3 | FCES14000 | 2.4 GHZ Transmitter: Epidemic, Muckraker | Émetteur 2,4 GHZ : Epidemic, Muckraker |
| 4 | FCES14001 | 2.4 GHZ Receiver: Epidemic, Muckraker | Récepteur 2,4 GHZ : Epidemic, Muckraker |
| 5 | FCES44000 | Front/Rear Tire Set, Premount (2): Epidemic | Ensemble de pneus avant/arrière, prémonté (2) : Epidemic |
| 6 | FCES44001 | Front/Rear Tire Set, Premount (2): Muckraker | Ensemble de pneus avant/arrière, prémonté (2) : Muckraker |
| 7 | FCES240000 | Body, Color: Epidemic | Carrosserie, couleur : Epidemic |
| 8 | FCES240002 | Body, Color: Muckraker | Carrosserie, couleur : Muckraker |
| 9 | FCES240007 | Body Mount Set: Epidemic | Ensemble de montage de carrosserie : Epidemic |
| 10 | FCES240008 | Body Clip Set W/Retainers: All 1/8 | Ensemble de clips de carrosserie avec bagues de retenue : Tout 1/8 |
| 11 | FCES241000 | Chassis Plate, Aluminum: All 1/8 | Plaque châssis, aluminium : Tout 1/8 |
| 12 | FCES241001 | Battery Box: Epidemic, Muckraker | Compartiment de batterie : Epidemic, Muckraker |
| 13 | FCES241002 | Receiver Box Differential Mount Side Guards: All 1/8 | Compartiment de récepteur, montage différentiel, protections latérales : Tout 1/8 |
| 14 | FCES241003 | Motor Mount: Epidemic, Muckraker | Support moteur : Epidemic, Muckraker |
| 15 | FCES241004 | Shock Tower Front/Rear Epidemic, Rear Muckraker | Tour d'amortisseur avant/arrière Epidemic, arrière Muckraker |
| 16 | FCES241006 | Steering Bellcrank, Center Link and Pivot Screw Set: All 1/8 | Ensemble de levier de renvoi de direction, maillon central et vis pivot : Tout 1/8 |
| 17 | FCES241007 | Steering Post Set: Epidemic, Muckraker | Lot de colonnes de direction : Epidemic, Muckraker |
| 18 | FCES241008 | Front/Rear Bumper Set: Epidemic | Jeu de pare-chocs avant/arrière : Epidemic |
| 19 | FCES241009 | Wheelie Bar Set: Epidemic | Ensemble de barre de cabré : Epidemic |
| 20 | FCES242000 | Differential Housing Set (2): All 1/8 | Ensemble de boîtier de différentiel (2) : Tout 1/8 |
| 21 | FCES242001 | Differential Gear & Shaft Set: All 1/8 | Ensemble d'arbre et d'engrenage différentiel : Tout 1/8 |
| 22 | FCES242002 | Front/Rear Gear Box: Epidemic, Muckraker | Boîte à engrenage avant/arrière : Epidemic, Muckraker |
| 23 | FCES242003 | Front/Rear Ring & Pin Set: Epidemic, Muckraker | Jeu d'anneaux et broches avant/arrière : Epidemic, Muckraker |
| 24 | FCES242004 | Front/Rear Outdrive Set (2): All 1/8 | Ensemble d'arbre extérieur avant/arrière (2) : Tout 1/8 |
| 25 | FCES242005 | Center Outdrive Set (2): All 1/8 | Ensemble d'arbre extérieur central (2) : Tout 1/8 |
| 26 | FCES242006 | Outdrive Cup Set (2): All 1/8 | Ensemble de coupelle d'arbre extérieur (2) : Tout 1/8 |
| 27 | FCES242007 | Center Differential 49T Spur Gear: All 1/8 | Engrenage cylindrique 49T différentiel central : Tout 1/8 |
| 28 | FCES242008 | Rear Axle (2): Epidemic, Muckraker | Essieu arrière (2) : Epidemic, Muckraker |
| 29 | FCES242009 | Front CV Driveshaft Set (2): All 1/8 | Ensemble d'arbre de transmission CV (2) : Tout 1/8 |
| 30 | FCES242010 | Center Driveshaft Set (2): All 1/8 | Ensemble d'arbre de transmission central (2) : Tout 1/8 |
| 31 | FCES242011 | Rear Driveshaft Set (2): All 1/8 | Ensemble d'arbre de transmission arrière (2) : Tout 1/8 |
| 32 | FCES242012 | Wheel Hex & Nut Set (2): Epidemic | Ensemble d'hexagone de roue et d'écrou (2) : Epidemic |
| 33 | FCES243001 | Shock Set (2): Epidemic Front/Rear, Muckraker Rear | Ensemble d'amortisseurs (2) : Avant/arrière Epidemic, arrière Muckraker |
| 34 | FCES243002 | Upper Shock Mount Set (2): All 1/8 | Ensemble de support d'amortisseur supérieur (2) : Tout 1/8 |
| 35 | FCES244000 | Front Suspension Arm Set: Epidemic, Muckraker | Lot de bras de suspension avant : Epidemic, Muckraker |
| 36 | FCES244001 | Rear Suspension Arm Hub Set: Epidemic, Muckraker | Ensemble de moyeu de bras de suspension arrière : Epidemic, Muckraker |
| 37 | FCES244002 | Front Upright Pillow Ball Set: All 1/8 | Ensemble de rotule à coussinet droit avant : Tout 1/8 |
| 38 | FCES244003 | Camber Link & Tie Rod Set: All 1/8 | Ensemble de bras de carrossage et barre d'accouplement : Tout 1/8 |
| 39 | FCES244004 | Lower Arm Mount & Chassis Brace Set: All 1/8 | Ensemble de support de bras inférieur et support de carrosserie : Tout 1/8 |
| 40 | FCES244005 | Sway Bar Set: Epidemic, Muckraker | Ensemble de barre stabilisatrice : Epidemic, Muckraker |
| 41 | FCES244006 | Hinge Pin Set with Nuts: Epidemic, Muckraker | Lot de charnière avec écrous : Epidemic, Muckraker |
| 42 | FCES245000 | 3mm BH Screw Set: Epidemic, Muckraker | Ensemble de vis à tête de bouton 3 mm : Epidemic, Muckraker |
| 43 | FCES245001 | 4mm BH Screw Set: Epidemic, Muckraker | Ensemble de vis à tête de bouton 4 mm : Epidemic, Muckraker |
| 44 | FCES245002 | Flathead Screw Set: Epidemic, Muckraker | Ensemble de vis à tête plate : Epidemic, Muckraker |
| 45 | FCES245003 | Cap Screw & Nut Set (24pcs): All 1/8 | Ensemble de vis de recouvrement et écrous (24 pièces) : Tout 1/8 |
| 46 | FCES245004 | Set Screw Set (24pcs): All 1/8 | Ensemble de vis de fixation (24 pièces) : Tout 1/8 |
| 47 | FCES246000 | Servo Arm, Aluminum 25T: Epidemic, Muckraker | Bras de servo, Aluminium 25T : Epidemic, Muckraker |
| 48 | FCES247000 | Bearing and Bushing Set (8): Epidemic, Muckraker | Ensemble de roulement et bague (8) : Epidemic, Muckraker |
| 49 | SPMSS6280 | S6280 U-T / H-S Digital HV Waterproof Servo | Servo numérique étanche S6280 U-T / H-S HV |
| 50 | FCES242014 | Differential Rebuild Set: Epidemic, Muckraker | Ensemble de reconstruction du différentiel : Epidemic, Muckraker |
| 51 | FCES244007 | Rod End Set: Epidemic, Muckraker | Ensemble d'embout de bielle : Epidemic, Muckraker |
| 52 | FCES243003 | Shock Cap Set (4): Epidemic, Muckraker | Ensemble de capuchons d'amortisseurs (4) : Epidemic, Muckraker |

| | | | |
|----|-------------|--|--|
| 53 | FCESS243004 | Shock Piston Set (4): Epidemic, Muckraker | Ensemble de pistons d'amortisseurs (4) : Epidemic, Muckraker |
| 54 | FCESS243005 | Shock Rebuild Kit: Epidemic, Muckraker | Kit de reconstruction d'amortisseur : Epidemic, Muckraker |
| 55 | FCESS243006 | Front/Rear Shock Shaft Set: Epidemic, Muckraker | Lot de bras d'amortisseurs avant/arrière : Epidemic, Muckraker |
| 56 | FCESS243007 | Front Shock Springs and Retainer Set: Muckraker | Ensemble de ressorts d'amortisseur et bague de retenue avant : Muckraker |
| 57 | FCESS243008 | Rear Shock Springs and Retainer Set: Epidemic, Muckraker | Ensemble de ressorts d'amortisseur et bague de retenue arrière : Epidemic, Muckraker |
| 58 | FCESS243009 | Front Shock Body Set: Muckraker | Ensemble de carrosserie d'amortisseur avant : Muckraker |
| 59 | FCESS243010 | Shock Body Set: Epidemic Front/Rear, Muckraker Rear only | Ensemble de carrosserie d'amortisseur : Avant/arrière Epidemic, arrière Muckraker uniquement |
| 60 | FCESS243011 | Shock Boot and Bladder Set (4): Epidemic, Muckraker | Ensemble de soufflet d'amortisseur et poche (4) : Epidemic, Muckraker |
| 61 | FCESS240004 | Wing Mount, Front Bumper: Muckraker | Support d'aile, pare-chocs avant : Muckraker |
| 62 | FCESS240005 | Wing, Black: Muckraker | Aile, noire : Muckraker |
| 63 | FCESS240006 | Body Mount Set: Muckraker | Ensemble de montage de carrosserie : Muckraker |
| 64 | FCESS241005 | Front Shock Tower: Muckraker | Tour d'amortisseur avant : Muckraker |
| 65 | FCESS242013 | Wheel Hex and Nut Set (2): Muckraker | Ensemble d'hexagone de roue et d'écrou (2) : Muckraker |
| 66 | FCESS243000 | Shock Set, Front (2): Muckraker | Ensemble d'amortisseurs, avant (2) : Muckraker |
| 67 | LOSA3572 | 1.0 Module Pitch Pinion, 12T, 8E, SCTE: Epidemic | Module de pignon de pas 1.0, 12T, 8E, SCTE : Epidemic |
| 68 | LOSA3573 | 1.0 Module Pitch Pinion, 13T, 8E, SCTE: Muckraker | Module de pignon de pas 1.0, 13T, 8E, SCTE : Muckraker |

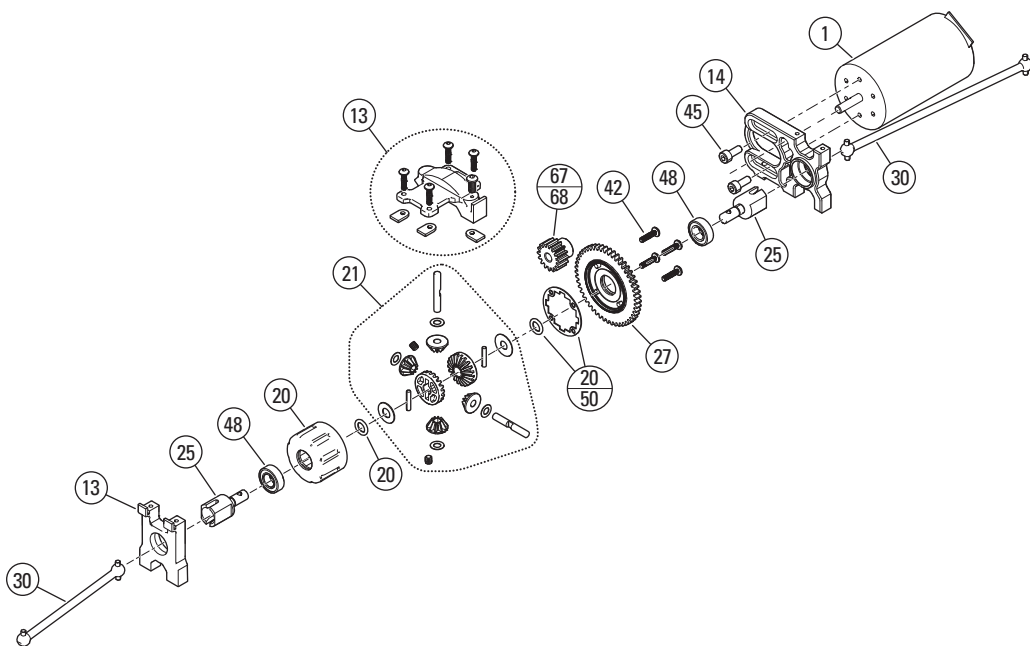
OPTIONAL PARTS / PIÈCES OPTIONNELLES

| Item # /Pièce | Part number / Référence | Description | Description |
|---------------|-------------------------|------------------------|---------------------------------------|
| 69 | FCESS240001 | Body, Clear: Epidemic | Carrosserie, transparente : Epidemic |
| 70 | FCESS240003 | Body, Clear: Muckraker | Carrosserie, transparente : Muckraker |
| | DYNC0166 | EC5 Battery Jumper | Cavalier de batterie EC5 |

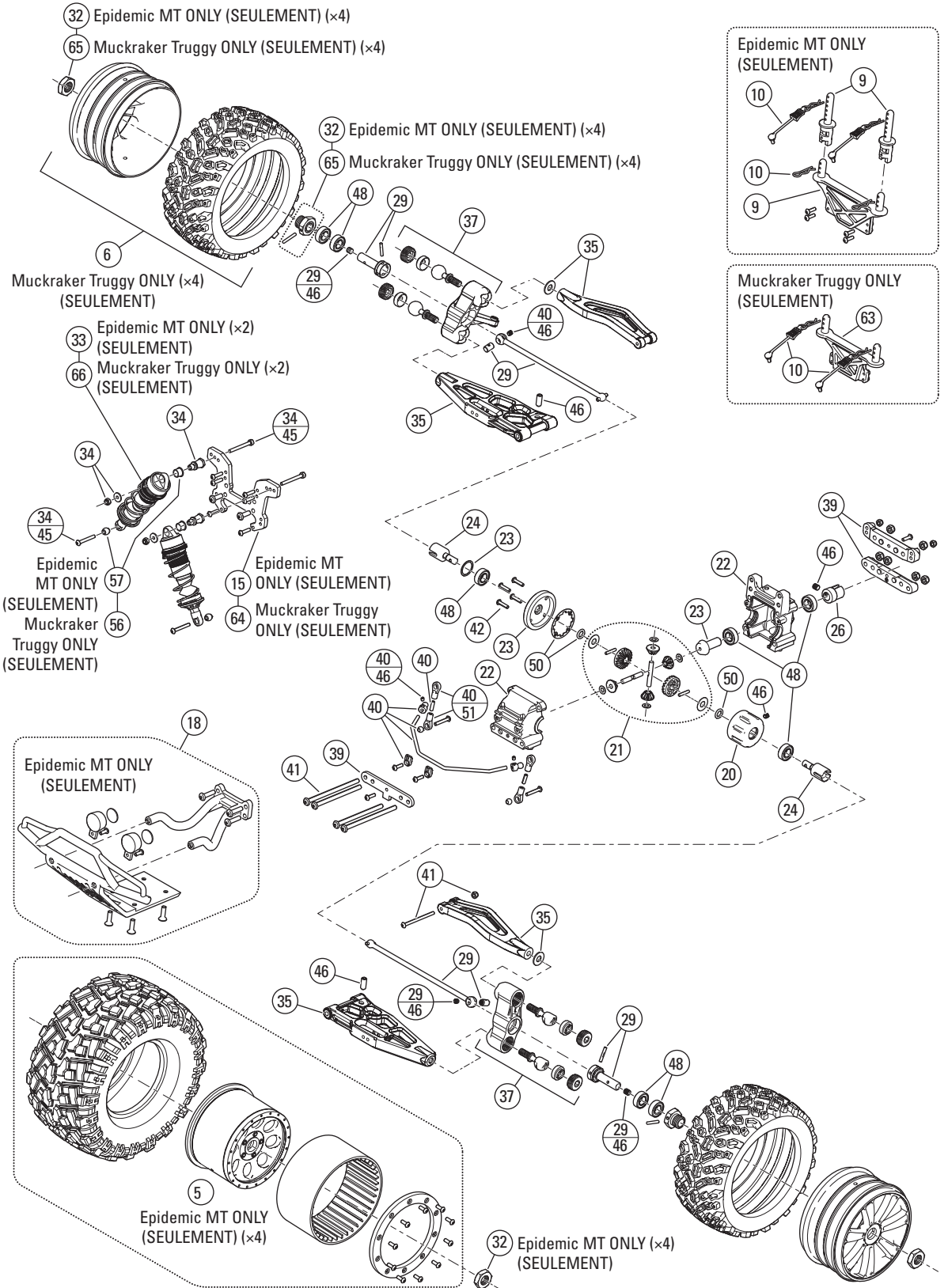
RECOMMENDED TOOLS / OUTILS RECOMMANDÉS



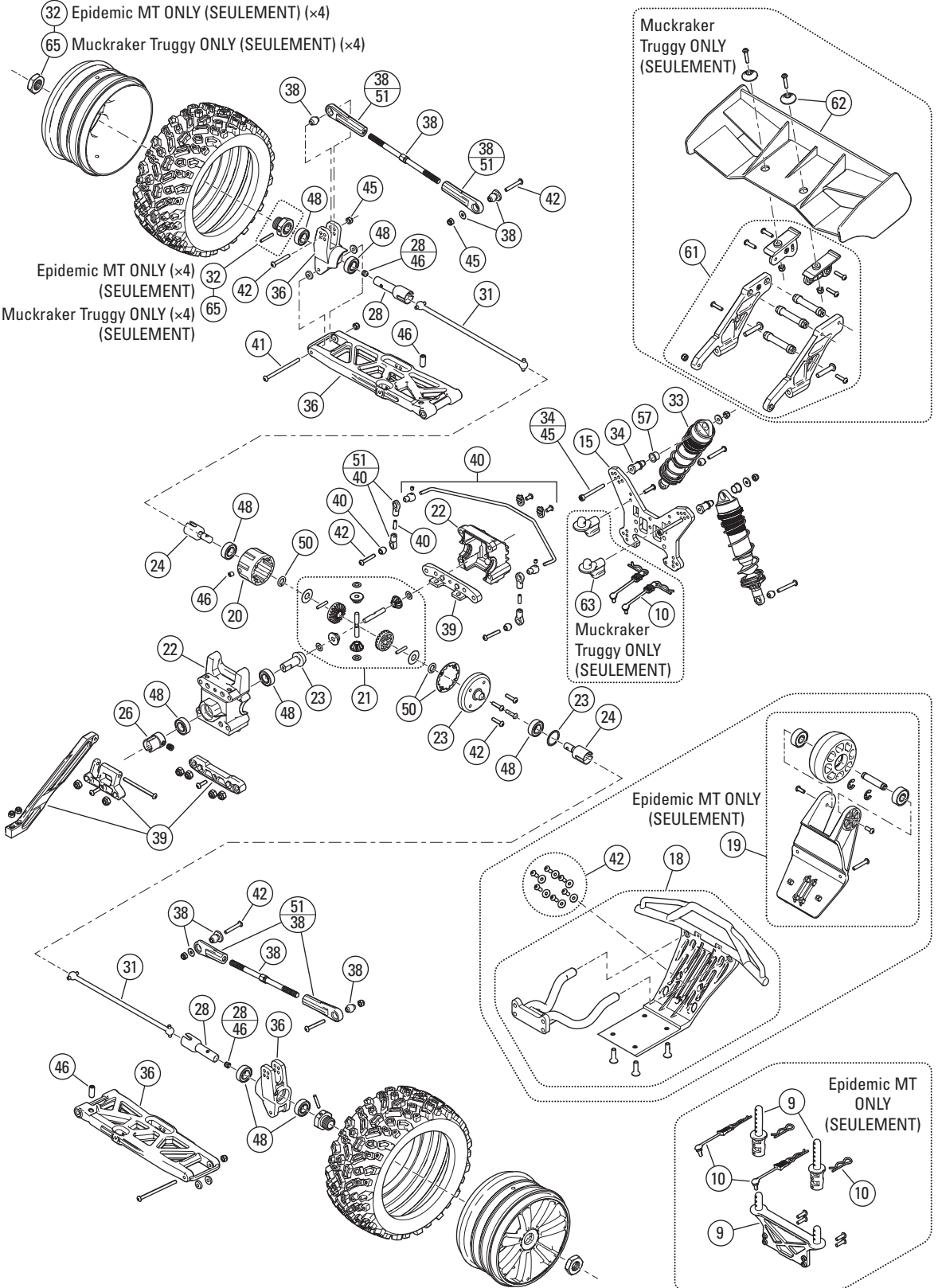
PARTS DIAGRAM (DRIVETRAIN) VUE ÉCLATÉE DES PIÈCES (GROUPE MOTOPROPULSEUR)



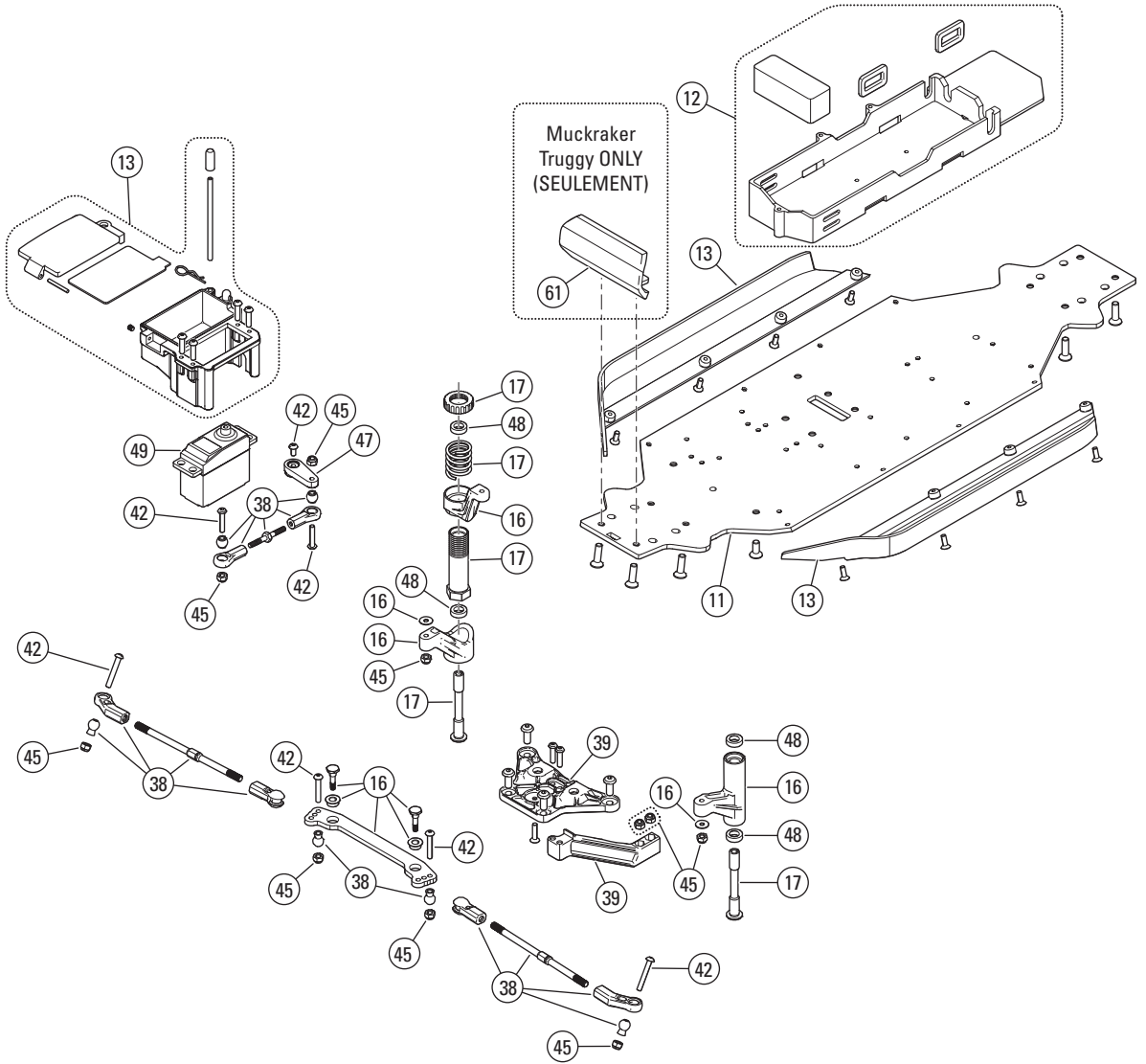
PARTS DIAGRAM (FRONT END) / VUE ÉCLATÉE DES PIÈCES (EXTRÉMITÉS AVANT)



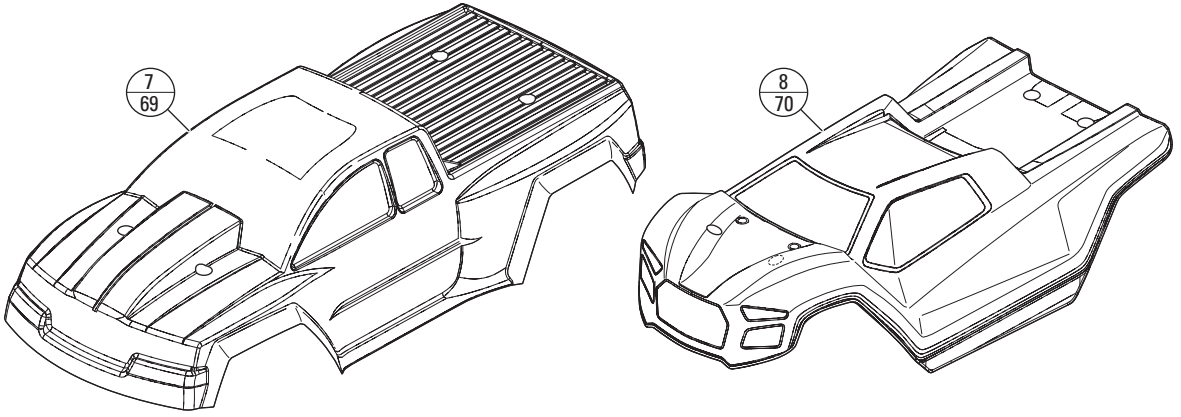
PARTS DIAGRAM (REAR END) / VUE ÉCLATÉE DES PIÈCES (EXTRÉMITÉS ARRIÈRE)



PARTS DIAGRAM (CENTER CHASSIS) / VUE ÉCLATÉE DES PIÈCES (CHÂSSIS CENTRAL)

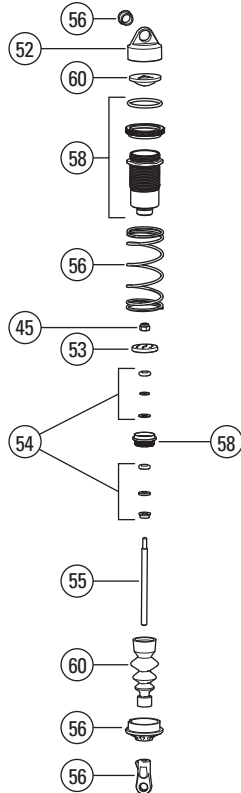


PARTS DIAGRAM (BODIES) / VUE ÉCLATÉE DES PIÈCES (CORPS)



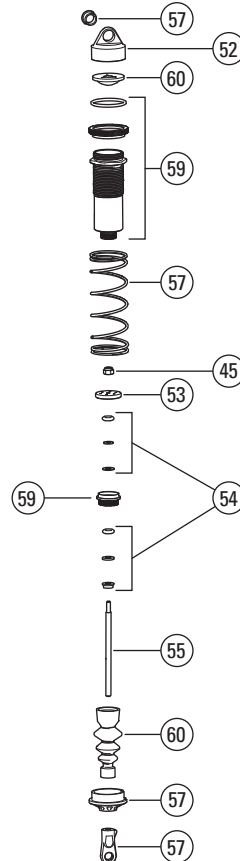
PARTS DIAGRAM (SHOCK ABSORBERS) / VUE ÉCLATÉE DES PIÈCES (AMORTISSEUR)

Muckraker Truggy - Front ONLY
Avant seulement



Epidemic MT - Front and Rear
Avant et Arrière

Muckraker - Rear ONLY
Arrière seulement



FORCE RC®



FCES04000
FCES04001

57613

Created 5/2018

© 2018 Horizon Hobby, LLC.

Force RC, the Force RC logo, Epidemic, Muckraker, Fuze, EC5, and the Horizon Hobby logo are trademarks or registered trademarks of Horizon Hobby, LLC. The Spektrum trademark is used with permission of Bachmann Industries, Inc. All other trademarks, service marks and logos are property of their respective owners.