

DESERT BUGGY **XLE**TM

1/5-SCALE READY-TO-RUN

Instruction Manual // Bedienungsanleitung // Manuel d'utilisation // Manuale di Istruzioni



 U.S. Pat. No. 9,320,977

NOTICE

All instructions, warranties and other collateral documents are subject to change at the sole discretion of Horizon Hobby, LLC. For up-to-date product literature, visit horizonhobby.com and click on the support tab for this product.

MEANING OF SPECIAL LANGUAGE

The following terms are used throughout the product literature to indicate various levels of potential harm when operating this product:

NOTICE: Procedures, which if not properly followed, create a possibility of physical property damage AND a little or no possibility of injury.

CAUTION: Procedures, which if not properly followed, create the probability of physical property damage AND a possibility of serious injury.

WARNING: Procedures, which if not properly followed, create the probability of property damage, collateral damage, and serious injury OR create a high probability of superficial injury.



WARNING: Read the ENTIRE instruction manual to become familiar with the features of the product before operating. Failure to operate the product correctly can result in damage to the product, personal property and cause serious injury.

This is a sophisticated hobby product. It must be operated with caution and common sense and requires some basic mechanical ability. Failure to operate this Product in a safe and responsible manner could result in injury or damage to the product or other property. This product is not intended for use by children without direct adult supervision. Do not use with incompatible components or alter this product in any way outside of the instructions provided by Horizon Hobby, LLC. This manual contains instructions for safety, operation and maintenance. It is essential to read and follow all the instructions and warnings in the manual, prior to assembly, setup or use, in order to operate correctly and avoid damage or serious injury.



WARNING AGAINST COUNTERFEIT PRODUCTS Always purchase from a Horizon Hobby, LLC authorized dealer to ensure authentic high-quality Spektrum product. Horizon Hobby, LLC disclaims all support and warranty with regards, but not limited to, compatibility and performance of counterfeit products or products claiming compatibility with DSM or Spektrum technology.

AGE RECOMMENDATION: NOT FOR CHILDREN UNDER 14 YEARS. THIS IS NOT A TOY.

REGISTER YOUR LOSI PRODUCT ONLINE

Register your vehicle now and be the first to find out about the latest option parts, product updates and more. Click on the Support tab at WWW.LOSI.COM and follow the product registration link to stay connected.

SAFETY PRECAUTIONS AND WARNINGS



WARNING: This vehicle is only intended for advanced RC drivers capable of operating large-scale model vehicles.



WARNING: Failure to follow all instructions can lead to damage to your vehicle, property damage and bodily injury or death.



CAUTION: If you make changes or adjustments not shown in the instruction manual, your vehicle may be damaged. To prevent any serious personal injury and/or damage to property, please be responsible when operating all remote controlled models.

As the user of this product, you are solely responsible for operating in a manner that does not endanger yourself and others or result in damage to the product or property of others.

This model is controlled by a radio signal subject to interference from many sources outside your control. This interference can cause momentary loss of control, so it is advisable to always keep a safe distance in all directions around your model as this margin will help avoid collisions or injury.

- Never operate your model with low transmitter batteries.
- Always operate your model in open spaces away from full-size vehicles, traffic and people.


- Never operate the model in the street or in populated areas for any reason.
- Carefully follow the directions and warnings for this and any optional support equipment (chargers, rechargeable battery packs, etc.) you use.
- Keep all chemicals, small parts and anything electrical out of the reach of children.
- Never lick or place any portion of the model in your mouth as it could cause serious injury or even death.
- Exercise caution when using tools and sharp instruments.
- Take care during maintenance as some parts may have sharp edges.
- Immediately after using your model, do NOT touch equipment such as the motor, electronic speed control and battery, because they generate high temperatures. You may burn yourself seriously touching them.
- Do not put fingers or any objects inside rotating and moving parts, as this may cause damage or serious injury.
- Always turn on your transmitter before you turn on the receiver in the car. Always turn off the receiver before turning your transmitter off.
- Keep the wheels of the model off the ground when checking the operation of the radio equipment.

WATER-RESISTANT VEHICLE WITH WATERPROOF ELECTRONICS

Your new Horizon Hobby vehicle has been designed and built with a combination of waterproof and water-resistant components to allow you to operate the product in many “wet conditions,” including puddles, creeks, wet grass, snow and even rain.

While the entire vehicle is highly water-resistant, it is not completely waterproof and your vehicle should NOT be treated like a submarine. The various electronic components used in the vehicle, such as the Electronic Speed Control (ESC), servo(s) and receiver are waterproof, however, most of the mechanical components are water-resistant and should not be submerged.

Metal parts, including the bearings, hinge pins, screws and nuts, as well as the contacts in the electrical cables, will be susceptible to corrosion if additional maintenance is not performed after running in wet conditions. To maximize the long-term performance of your vehicle and to keep the warranty intact, the procedures described in the “Wet Conditions Maintenance” section below must be performed regularly if you choose to run in wet conditions. If you are not willing to perform the additional care and maintenance required, then you should not operate the vehicle in those conditions.

 **CAUTION:** Failure to exercise caution while using this product and complying with the following precautions could result in product malfunction and/or void the warranty.


GENERAL PRECAUTIONS

- Read through the wet conditions maintenance procedures and make sure that you have all the tools you will need to properly maintain your vehicle.
- Not all batteries can be used in wet conditions. Consult the battery manufacturer before use. Caution should be taken when using Li-Po batteries in wet conditions.
- Most transmitters are not water-resistant. Consult your transmitter’s manual or the manufacturer before operation.
- Never operate your transmitter or vehicle where lightning may be present.
- Do not operate your vehicle where it could come in contact with salt water (ocean water or water on salt-covered roads), contaminated or polluted water. Salt water is very conductive and highly corrosive, so use caution.
- Even minimal water contact can reduce the life of your motor if it has not been certified as water-resistant or waterproof. If the motor becomes excessively wet, apply very light throttle until the water is mostly removed from the motor. Running a wet motor at high speeds may rapidly damage the motor.

- Driving in wet conditions can reduce the life of the motor. The additional resistance of operating in water causes excess strain. Alter the gear ratio by using a smaller pinion or larger spur gear. This will increase torque (and motor life) when running in mud, deeper puddles, or any wet conditions that will increase the load on the motor for an extended period of time.

WET CONDITIONS MAINTENANCE

- Drain any water that has collected in the tires by spinning them at high speed. With the body removed, place the vehicle upside down and pull full throttle for a few short bursts until the water has been removed.

 **CAUTION:** Always keep hands, fingers, tools and any loose or hanging objects away from rotating parts when performing the above drying technique.

- Remove the battery pack(s) and dry the contacts. If you have an air compressor or a can of compressed air, blow out any water that may be inside the recessed connector housing.
- Remove the tires/wheels from the vehicle and gently rinse the mud and dirt off with a garden hose. Avoid rinsing the bearings and transmission.

NOTICE: Never use a pressure washer to clean your vehicle.

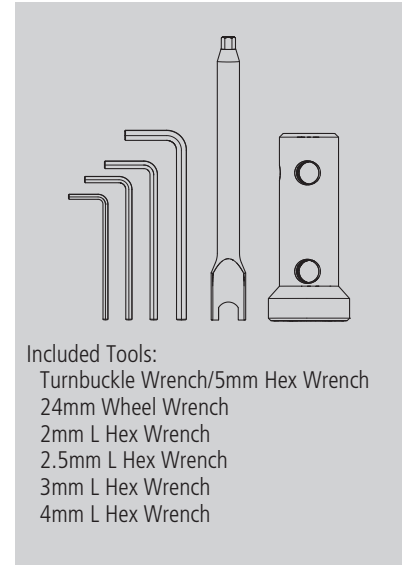
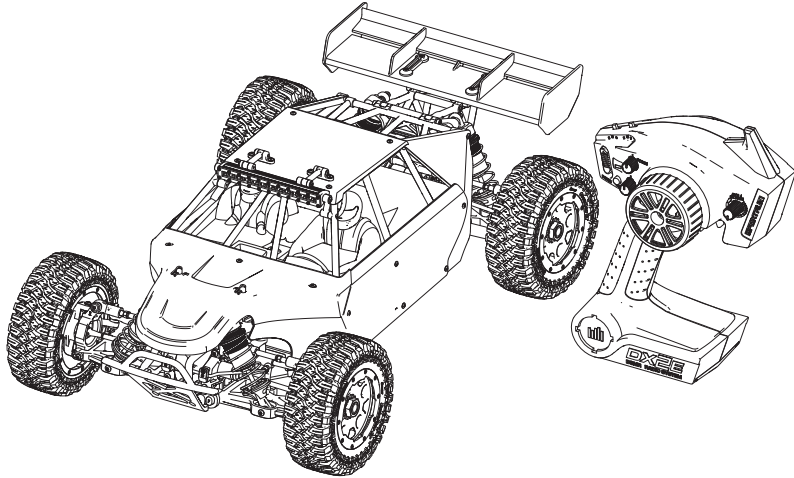
- Use an air compressor or a can of compressed air to dry the vehicle and help remove any water that may have gotten into small crevices or corners.
- Spray the bearings, drive train, fasteners and other metal parts with a water-displacing light oil. Do not spray the motor.
- Let the vehicle air dry before you store it. Water (and oil) may continue to drip for a few hours.
- Increase the frequency of disassembly, inspection and lubrication of the following:
 - Front and rear axle hub assembly bearings.
 - All transmission cases, gears and differentials.
 - Motor—clean with an aerosol motor cleaner and re-oil the bushings with lightweight motor oil.

TABLE OF CONTENTS

COMPONENTS	5	DIFFERENTIALS	13
NEEDED EQUIPMENT	5	GEARING	14
RECOMMENDED EQUIPMENT	5	PRECAUTIONS	14
A // SPEKTRUM DX2E RADIO SYSTEM	6	GEARING	14
SRS4220 AVC TECHNOLOGY RECEIVER	6	CHANGING THE PINION GEAR/GEAR RATIO	14
INSTALLING THE TRANSMITTER BATTERIES	6	RIDE HEIGHT	14
SRS4220 STABILITY ASSIST RECEIVER	7	SETTING THE GEAR MESH	14
AVC® – ACTIVE VEHICLE CONTROL™	7	D // ESC FUNCTIONS	15
BINDING/CALIBRATING THE RECEIVER	7	ESC LED STATUS	15
BINDING	7	AUDIBLE WARNING TONES	15
CALIBRATING (CONTINUE FROM STEP 6 ABOVE)	7	ESC CALIBRATION PROCEDURE	15
DISABLING AVC® TECHNOLOGY	7	ESC PROGRAMMING PROCEDURE	16
AVC® SENSITIVITY	7	PROGRAMMABLE ITEMS	16
B // VEHICLE PREPARATION	8	PROGRAMMABLE VALUE	16
INSTALLING THE BATTERIES	8	DESCRIPTIONS	16
TURNING THE VEHICLE ON	8	E // VEHICLE MAINTENANCE	17
CONTROL DIRECTION TEST	9	SHOCK DISASSEMBLY/CLEANING	17
STEERING	9	REFILLING/BLEEDING SHOCKS	18
ADJUSTING STEERING AND THROTTLE TRIMS	9	FRONT DIFFERENTIAL	18
STEERING TRIM	9	REAR DIFFERENTIAL	19
CHANGING THE TRAVEL ADJUST SETTINGS	9	CENTER DIFFERENTIAL	20
THROTTLE	9	TROUBLESHOOTING GUIDE	21
THROTTLE TRIM	9	LIMITED WARRANTY	22
DRIVING PRECAUTIONS	10	WARRANTY AND SERVICE CONTACT INFORMATION	23
RUN TIME	10	FCC STATEMENT	23
TO IMPROVE RUN TIMES	10	COMPLIANCE INFORMATION FOR THE EUROPEAN UNION	23
TURNING THE VEHICLE OFF	10	ANTENNA SEPARATION DISTANCE	23
C // VEHICLE TUNING	11	IC INFORMATION	23
CAMBER	11	HARDWARE	90
DROOP	12	PARTS LIST	92
SHOCK OIL	12	EXPLODED VIEWS	96
SHOCK SPRINGS	12	SETUP SHEET	100
SHOCK MOUNTING POSITIONS	12		
FRONT TOE	13		
SWAY BARS	13		

COMPONENTS

- Losi® Desert Buggy XL™-E: 1/5th 4WD Electric RTR (LOS05012)
- Spektrum™ DX2E 2.4GHz Transmitter (SPM2330)
- Spektrum SRS4220 4-Channel DSMR® AVC® Surface Receiver (SPMSRS4220)
- Dynamite® 1/5th BL Motor 800kv (DYNS1665)
- Dynamite Fuze™ 160A BL WP 1/5th ESC: 8s (DYNS2661)
- Losi S9020 1/5 Scale Digital HV Surface Servo (LOS0884)
- 4 AA batteries (for transmitter)
- Bind Plug
- Tool set



Included Tools:
 Turnbuckle Wrench/5mm Hex Wrench
 24mm Wheel Wrench
 2mm L Hex Wrench
 2.5mm L Hex Wrench
 3mm L Hex Wrench
 4mm L Hex Wrench

NEEDED EQUIPMENT

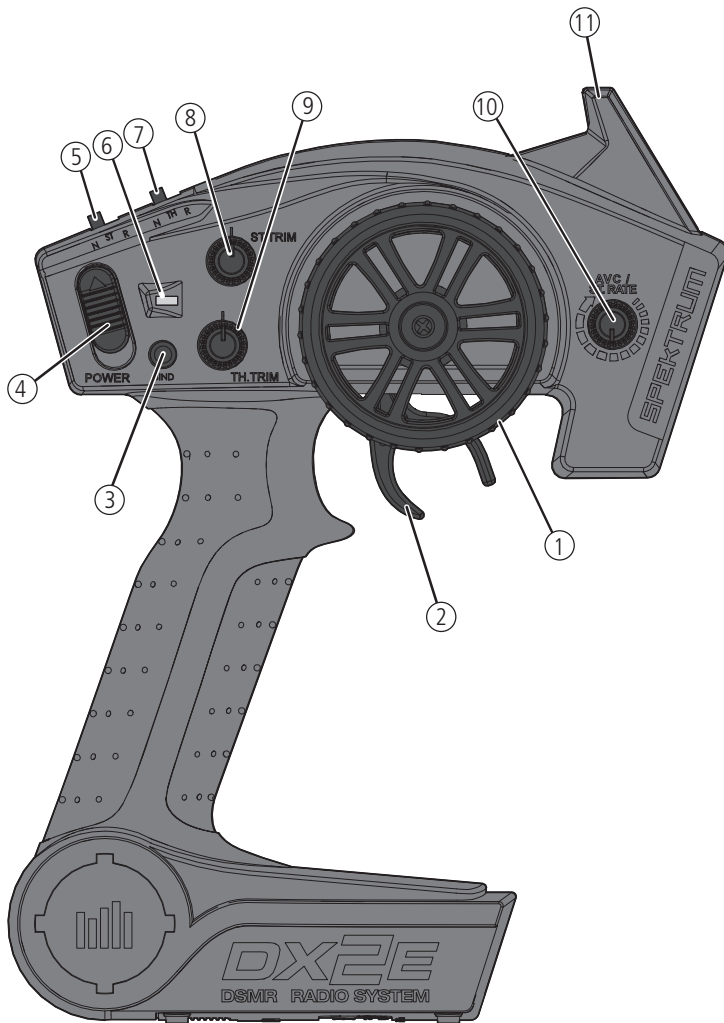
- A Balance Charger capable of charging a 3 to 4 cell LiPo with an EC5™ connector
- (2) 11.1V 5000mAh 3S 50C LiPo with EC5 connector
or
- (2) 14.8V 5000mAh 4S 50C LiPo with EC5 connector
- TLR Lok®, Threadlock, Blue (TLR76004)

RECOMMENDED EQUIPMENT

- Dynamite® Prophet™ Sport Quad 4 X 100W AC/DC Charger (DYNC2050)
- Dynamite Passport™ Duo 400W Dual AC/DC Touch Charger (DYNC3005)
- Dynamite Passport Ultra Force 220W Touch Battery Charger (DYNC3010)
- Dynamite Reaction® HD 11.1V 5000mAh 3S 50C LiPo (DYNB3811EC)
- Dynamite Reaction 14.8V 5000mAh 4S 50C LiPo (DYNB3804EC)
- Dynamite Reaction 15.2V 5000mAh 4S 50C LiPo Hardcase (DYNB3854EC)
- Deluxe 1/4" Large Scale Tool St W/Handle (DYNT1074)

A

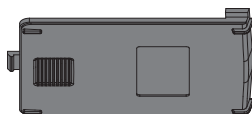
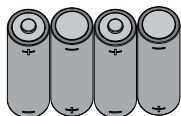
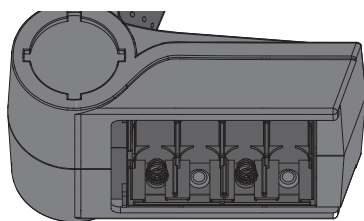
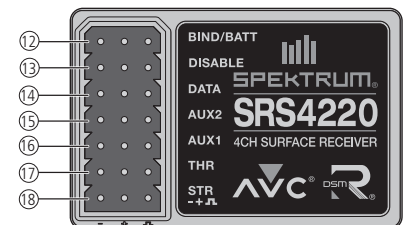
SPEKTRUM DX2E RADIO SYSTEM



- 1. Steering Wheel** Controls direction (left/right) of the model
- 2. Throttle Trigger** Controls speed and direction (forward/brake/reverse) of the model
- 3. BIND Button** Puts the transmitter into Bind Mode
- 4. ON/OFF Switch** Turns the power ON/OFF for the transmitter
- 5. ST.REV** Reverses the function of the steering when the wheel is turned left or right
- 6. Indicator Lights**
 - Solid green light—indicates adequate battery power
 - Flashing green light—indicates the battery voltage is critically low. Replace batteries
- 7. TH.REV** Reverses the function of the speed control when pulled back or pushed forward
- 8. ST Trim** Adjusts the steering center point
- 9. TH Trim** Adjusts the throttle neutral point
- 10. AVC/ST RATE** Adjusts the sensitivity of AVC
- 11. Antenna** Transmits the signal to the model

SRS4220 AVC TECHNOLOGY RECEIVER

- 12. BIND**
- 13. DISABLE**
- 14. DATA**
- 15. AUX 2**
- 16. AUX 1**
- 17. THR**
- 18. STR**



INSTALLING THE TRANSMITTER BATTERIES

- Push in the battery cover a small amount to release the retaining tab, then remove the cover.
- Install 4 AA batteries, taking care to align the battery polarity to the diagram in the transmitter's battery case.
- Carefully reinstall the battery cover by aligning the tabs with the slots on the transmitter.

CAUTION: If using rechargeable batteries, charge only rechargeable batteries. Charging non-rechargeable batteries may cause the batteries to burst, resulting in injury to persons and/or damage to property.

CAUTION: Risk of explosion if battery is replaced by an incorrect type. Dispose of used batteries according to national regulations.

For more information on the transmitter, go to www.horizonhobby.com and click on the support tab for the Spektrum DX2E to download the instruction manual.

SRS4220 STABILITY ASSIST RECEIVER

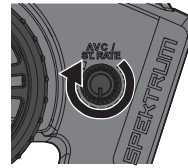
AVC® – ACTIVE VEHICLE CONTROL™

The Spektrum SRS4220 receiver features Active Vehicle Control™ (AVC®) technology that responds similar to traction control in full-scale vehicles. In addition to traction control, AVC technology also increases steering stability during high speed driving or while driving over rough terrain. As you increase the AVC sensitivity, the system increases steering stability and traction control, similar to reducing the amount of steering rate in a computer transmitter. Reducing the sensitivity value increases the amount of steering control from the transmitter. The SRS4220 receiver also enables you to quickly turn AVC on or off if you participate in organized racing.

IMPORTANT: You must use digital servos with the SRS4220 receiver. Do not use analog servos as they will reduce the performance of the system and may cause overheating.

AVC® SENSITIVITY

The AVC/ST RATE dial adjusts the sensitivity, or stability, value in the receiver. If you increase the sensitivity, the AVC® system becomes more sensitive to the vehicle drifting left or right. You would use maximum sensitivity during high speed driving or drag racing, when you want the vehicle to stay in a straight line. As the sensitivity value increases, the amount of steering travel decreases.



Turn the AVC/ST RATE knob counter-clockwise to reduce the sensitivity.

Turn the AVC/ST RATE knob clockwise to increase the sensitivity.

IMPORTANT: The AVC/ST RATE knob will only adjust the sensitivity when the transmitter is bound to a DSMR® receiver. When the transmitter is bound to a DSM2® receiver, the AVC/ST RATE knob controls the steering dual rate.

BINDING/CALIBRATING THE RECEIVER

BINDING

Binding is the process of programming the receiver to recognize the GUID (Globally Unique Identifier) code of a single specific transmitter. When a receiver is bound to a transmitter/model memory, the receiver will only respond to that specific transmitter/model memory.

Your Spektrum DX2E comes prebound to the vehicle. If you need to rebind or calibrate, follow the instructions below.

1. With the vehicle on a flat, level surface, insert the Bind Plug in the BIND port on the receiver.
2. Connect a fully charged battery pack to the ESC.
3. Power on the ESC. The orange LED flashes, indicating the receiver is in bind mode.
4. Center the ST TRIM and TH TRIM dials on the transmitter.
5. Press and hold the BIND button while powering on the transmitter.
6. Release the BIND button when the orange LED slowly flashes. The transmitter and receiver are linked when the orange LED is solid.

CALIBRATING (continue from step 6 above)

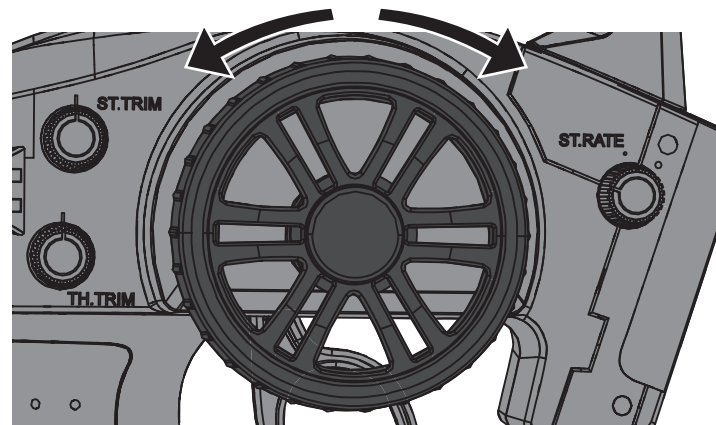
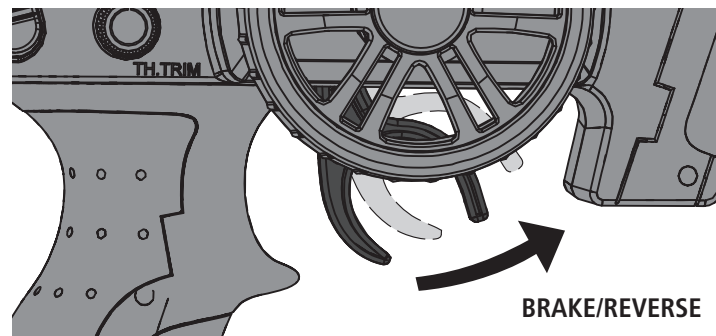
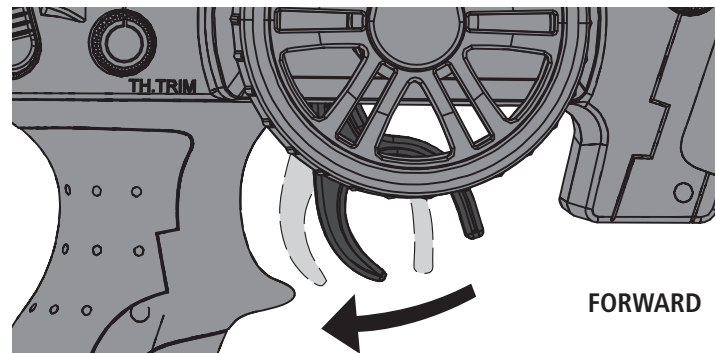
7. Pull the transmitter trigger to Full Throttle.
8. Push the transmitter trigger to Full Brake, then return the trigger to center.
9. Turn the transmitter steering wheel to Full Right.
10. Turn the transmitter steering wheel to Full Left, then return the steering wheel to center. The orange LED flashes once.
11. Remove the Bind Plug, then power off the receiver to save the settings.
12. Power off the transmitter.

DISABLING AVC® TECHNOLOGY

If you participate in organized racing, you may be required to turn AVC off. To turn AVC off:

1. Insert a Bind Plug in the BIND port on the receiver.
2. Insert a second Bind Plug in the DISABLE port on the receiver.
3. Follow the BINDING AND CALIBRATING steps above to finish disabling AVC.
4. Remove the Bind Plugs, then power off the receiver to save the settings. The receiver will continuously blink to indicate AVC is disabled.

IMPORTANT: You must calibrate the receiver each time it is placed in bind mode. To activate AVC, see the Binding/Calibrating steps above.

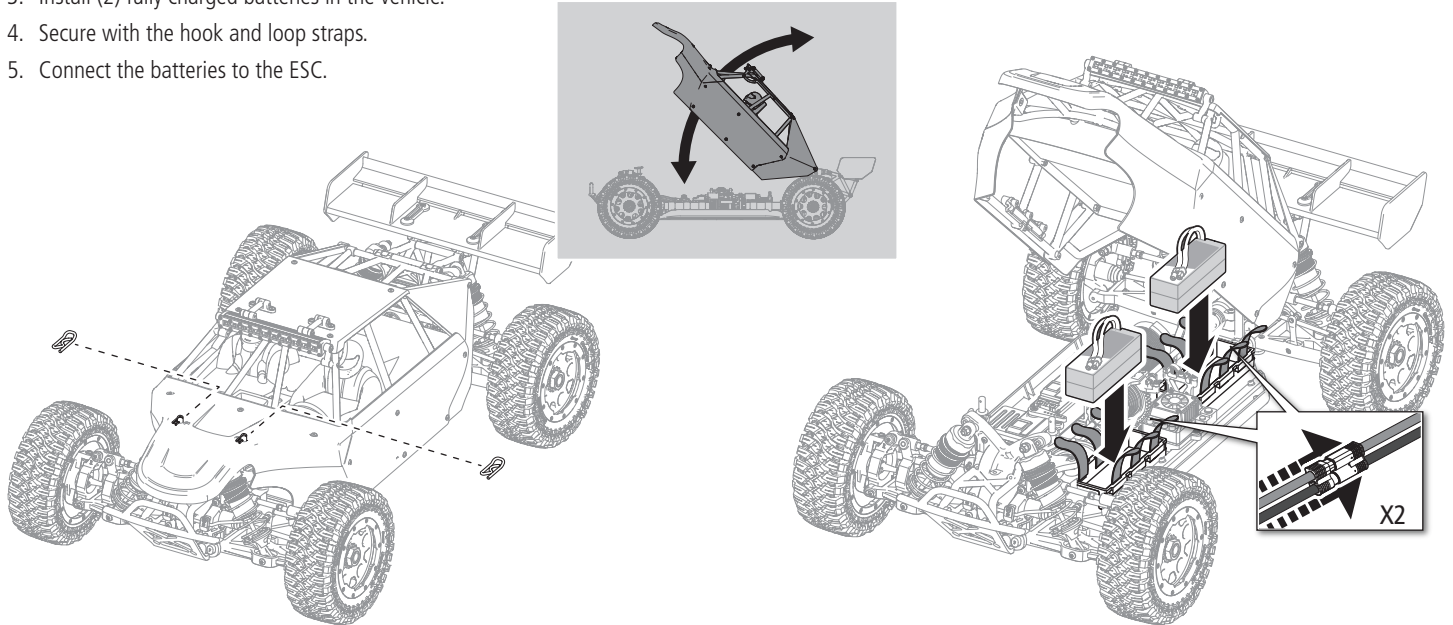


LEFT/RIGHT

B VEHICLE PREPARATION

INSTALLING THE BATTERIES

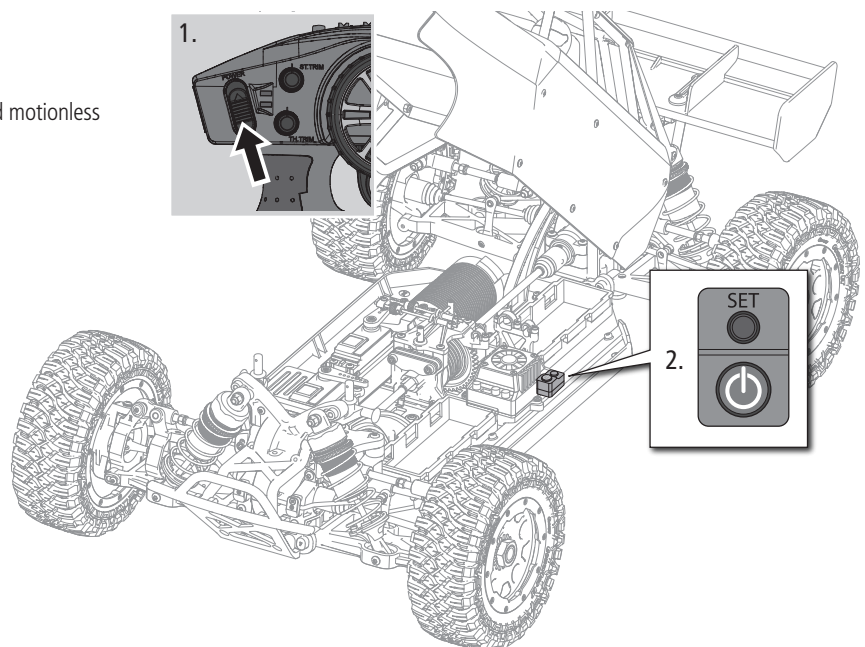
1. Remove the 2 body clips from the vehicle as shown.
2. Pivot body back to access the chassis.
3. Install (2) fully charged batteries in the vehicle.
4. Secure with the hook and loop straps.
5. Connect the batteries to the ESC.



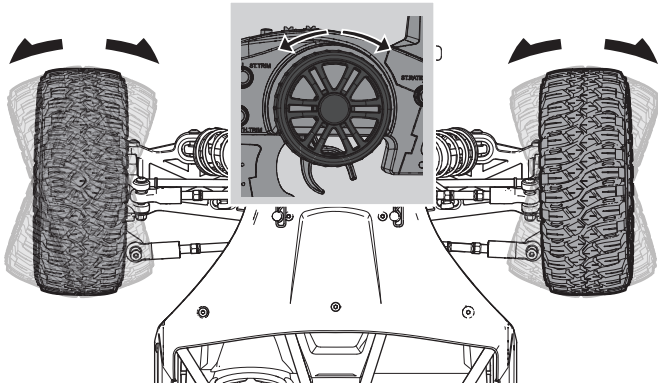
TURNING THE VEHICLE ON

1. Power on the transmitter.
2. Power on the ESC.

IMPORTANT: The vehicle **MUST** remain on a flat, level surface and motionless for at least 5 seconds.

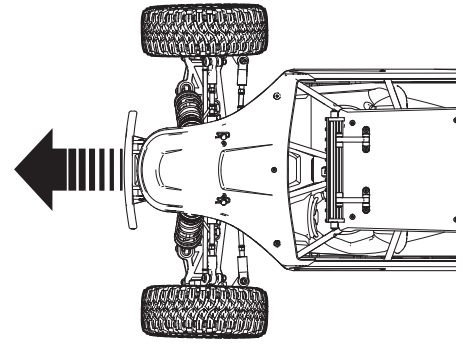
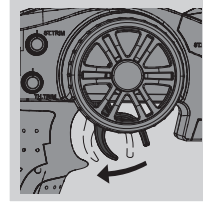


CONTROL DIRECTION TEST



STEERING

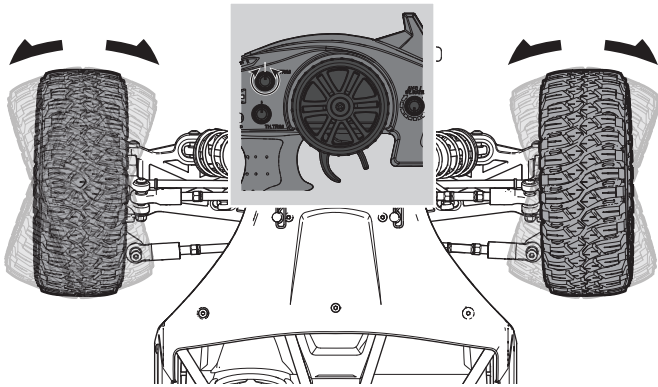
1. Move the steering wheel Left and Right observing the direction the front wheels move.
2. If the wheels move the opposite direction, reverse the STR channel.



THROTTLE

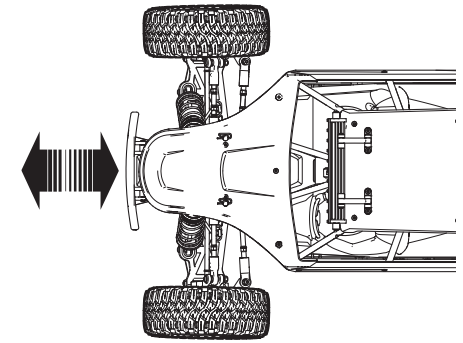
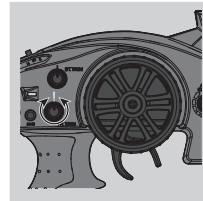
1. Pull the Throttle trigger to move the vehicle forward.
2. If the vehicle moves backward, reverse the THR channel.

ADJUSTING STEERING AND THROTTLE TRIMS



STEERING TRIM

The vehicle should maintain a straight line without any steering wheel input. If not, adjust the STR Trim knob, so the wheels maintain a straight line without having to turn the steering wheel.



THROTTLE TRIM

Trim the vehicle with the wheels off the ground. If the wheels rotate after the vehicle is powered ON, adjust the TH Trim knob until they stop.

CHANGING THE TRAVEL ADJUST SETTINGS

1. Hold the trigger in the full brake position and turn the steering wheel to Full Right while powering on the transmitter. The LED flashes rapidly, indicating the programming mode is active.
2. **Throttle End Point:** Continue holding full throttle. Turn the TH TRIM knob to adjust the full throttle end point.
3. **Brake End Point:** Hold the trigger in the full brake position. Turn the TH TRIM knob to adjust the full brake end point. Return the trigger to the center position.
4. **Left Steering End Point:** Hold the steering wheel in the full left position. Turn the ST TRIM knob to adjust the left end point.
5. **Right Steering End Point:** Hold the steering wheel in the full right position. Turn the ST TRIM knob to adjust the right end point. Return the steering wheel to the center position.
6. Power off the transmitter to save the travel adjust settings. The minimum Travel is 75%, and the Maximum travel is 150%.

IMPORTANT: If the travel is changed on the DX2E, you must rebind and calibrate the SRS4220.

DRIVING PRECAUTIONS

- Maintain sight of the vehicle at all times.
- Routinely inspect the vehicle for loose wheel hardware.
- Routinely inspect the steering assembly for any loose hardware. Driving the vehicle off-road can cause fasteners to loosen over time.
- Stop driving the vehicle when you notice a lack of power. Driving the vehicle when the battery is discharged can cause the receiver to power off. If the receiver loses power, you will lose control of the vehicle. Damage due to an over-discharged Li-Po battery is not covered under warranty.

⚠ CAUTION: Do not discharge a Li-Po battery below 3V per cell. Batteries discharged to a voltage lower than the lowest approved voltage may become damaged, resulting in loss of performance and potential fire when batteries are charged.

- Do not apply forward or reverse throttle if the vehicle is stuck. Applying throttle in this instance can damage the motor or ESC.
- After driving the vehicle, allow the electronics to cool before driving the vehicle again.

IMPORTANT: Keep wires away from all moving parts.

RUN TIME

The largest factor in run time is the capacity of the battery pack. A larger mAh rating increases the amount of run time experienced.

The condition of a battery pack is also an important factor in both run time and speed. The battery connectors may become hot during driving. Batteries will lose performance and capacity over time.

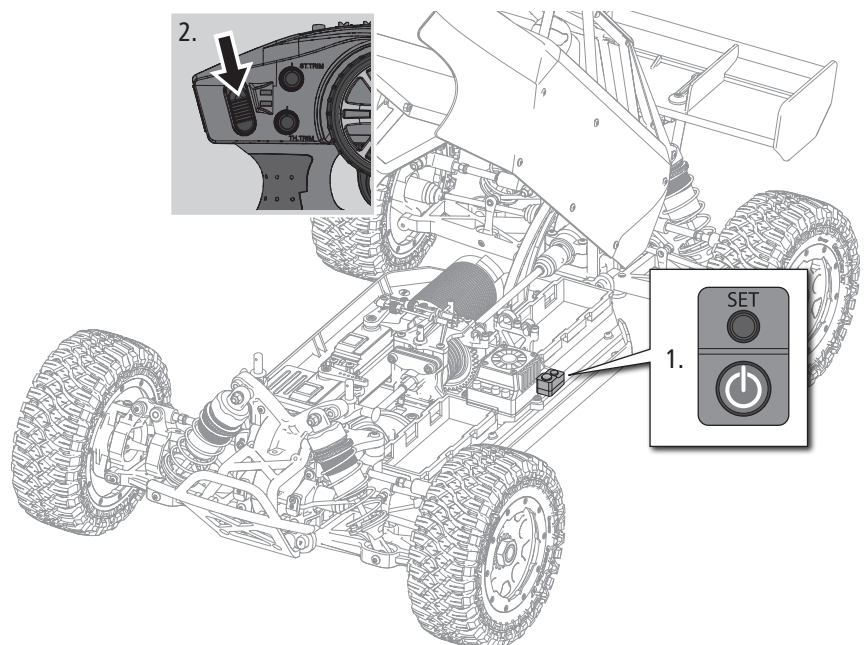
Driving the vehicle from a stop to full speed repeatedly will damage the batteries and electronics over time. Sudden acceleration will also lead to shorter run times.

TO IMPROVE RUN TIMES

- Keep your vehicle clean and well maintained.
- Allow more airflow to the ESC and motor.
- Change the gearing to a lower ratio. A lower ratio decreases the operating temperature of the electronics. Use a smaller pinion gear or larger spur gear to lower the gear ratio.
- Use battery packs with a higher mAh rating.

TURNING THE VEHICLE OFF

1. Power off the ESC.
2. Power off the transmitter.
3. Remove and charge the LiPo batteries





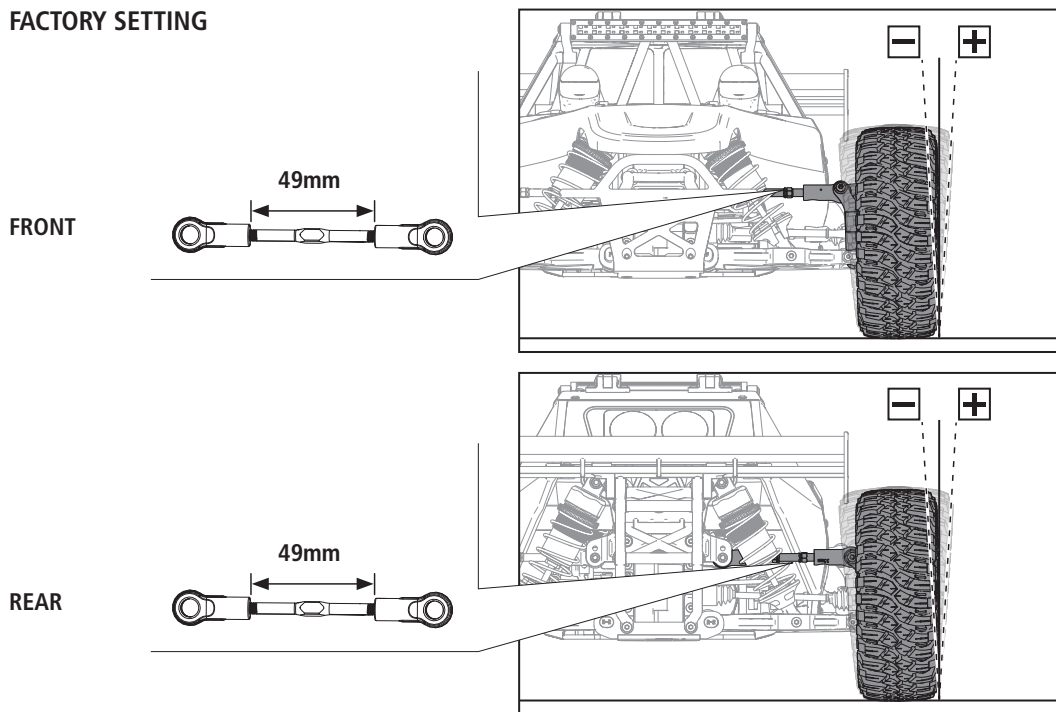
This Vehicle Tuning Guide will take you through the basic tuning adjustments and will describe the changes to the handling of your vehicle. Before making any setup changes, make sure all suspension parts move freely and that there are no broken or dislodged parts. Only make one change at a time to clearly feel the impact of that change. If a change does not provide the desired impact, return to the previous setting and consider a different setup change. Please note that the factory setup has proven to be reliable, consistent and easy to drive.

CAMBER

Camber Links		Characteristics
Lowering the Link	Front	Increases off-power steering and makes the vehicle more responsive. Handling consistency may decrease as off-power steering increases
	Rear	Increases off-power chassis rotation and makes the vehicle more responsive
Raising the Link	Front	Reduces off-power steering and provides greater handling consistency
	Rear	Reduces off-power chassis rotation and provides greater handling consistency

Always use negative camber (tires leaning in). Standard negative camber settings range from -1/2 to -3 degrees.

FACTORY SETTING



Camber		Characteristics
More Negative Camber	Front	Quicker reaction with more steering
	Rear	Less rear traction on entry and mid-corner
Less Negative Camber	Front	Slower reaction with less steering
	Rear	More traction on entry and mid-corner

DROOP

Always measure the droop (down travel) with the shocks on the vehicle. Droop is measured from the center of the top shock mount to the center of the bottom shock screw. More front and rear droop will accelerate better in bumps when going straight, but can cause the vehicle to traction roll in rough turns. Less front and rear droop will slide over bumps better in turns and may be better on high-speed and high-traction tracks.

Droop		Characteristics
More	Front	Increases on-power steering and lets the rear of the vehicle roll more when applying throttle
	Rear	Increases off-power steering and lets the front of the vehicle roll more when removing throttle
Less	Front	Decrease steering response
	Rear	Good for big jumps and high-traction surfaces

SHOCK OIL

Adjust oil weight when there is a drastic temperature change (20 - 25° F/12 - 14°C)

Shock Oil	Characteristics
Lighter	Responds quicker and creates more chassis roll
	Use lighter oil as it gets colder
Heavier	Reacts slower and creates less chassis roll
	Use heavier oil as it gets warmer

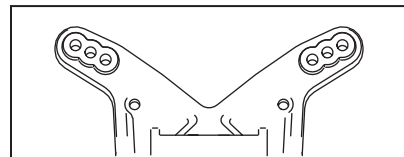
SHOCK SPRINGS

Springs		Characteristics
Softer	Front	Produce more steering
	Rear	Helpful on rough tracks but may hamper jumping ability and allow the chassis to bottom out much easier
Firmer	Front	Decrease steering response
	Rear	Good for big jumps and high-traction surfaces

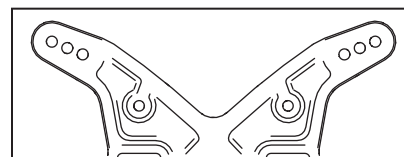
SHOCK MOUNTING POSITIONS

Moving the shocks in on the tower makes the vehicle more forgiving. Moving the shocks out on the tower makes the vehicle more responsive and better for technical tracks.

FRONT



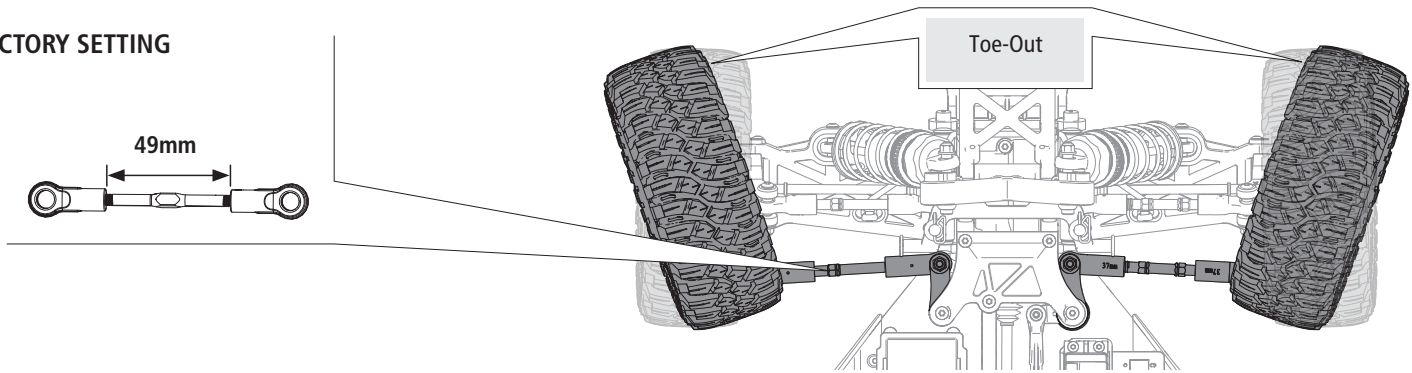
REAR



FRONT TOE

Never run front toe-in.

FACTORY SETTING



Front Toe	Characteristics
Toe-Out	Toe-out (shorter steering rods) increases steering response when entering the turn and straight line stability; however, it will decrease on-power steering

SWAY BARS

The vehicle is equipped with medium (4mm) sway bars on the front and rear.

Sway Bars		Characteristics
Thinner	Front	Increases front off-power traction, but has less on-power steering
	Rear	Increases rear traction and decreases on-power steering
Thicker	Front	Decreases off-power traction with smoother steering entering the turn, but has more on-power steering
	Rear	Increases stability in turns and on-power steering

Tip: Thicker sway bars are more stable on high-speed, high-traction tracks.

DIFFERENTIALS

Differential	Light Weight Oil	Heavier Weight Oil
Front	Increases off-power steering. Oil that is too thin will make diff action inconsistent	Increases off-power stability and on-power steering
Center	Has less forward drive and can unload the drivetrain easier under acceleration, which can be good on rough and slick tracks	Has more acceleration and increases on-power steering, but decreases off-power steering. Thicker center diff oil is better on high traction/smooth tracks
Rear	Has more side traction and increased steering in the middle of a turn	Has less steering in the middle of the turn but more forward traction

GEARING

PRECAUTIONS

- Never touch moving parts.
- Never disassemble while the batteries are installed.
- Always let parts cool before touching.

GEARING

Your vehicle has been equipped with the optimal gearing for the stock platform. It offers an ideal balance between speed, power and efficiency. Should you decide to customize your vehicle with optional batteries or motors, it may be necessary for you to change the pinion or spur gear.

Installing a pinion gear with fewer teeth or a spur gear with more teeth will provide greater torque but will reduce top speed. Likewise, a pinion gear with more teeth or a spur gear with fewer teeth will reduce torque and increase top speed. Care should be taken when installing larger pinion gears as this can "overgear" the vehicle, resulting in overheating of the motor and ESC. When testing different gearing options, pay close attention to the temperature of the motor and speed control to ensure you are operating within the temperature range of the components. The motor or ESC should never be so hot that it cannot be touched. If temperatures are too hot, a different gearing combination with a lower pinion gear and/or higher spur gear is suggested.

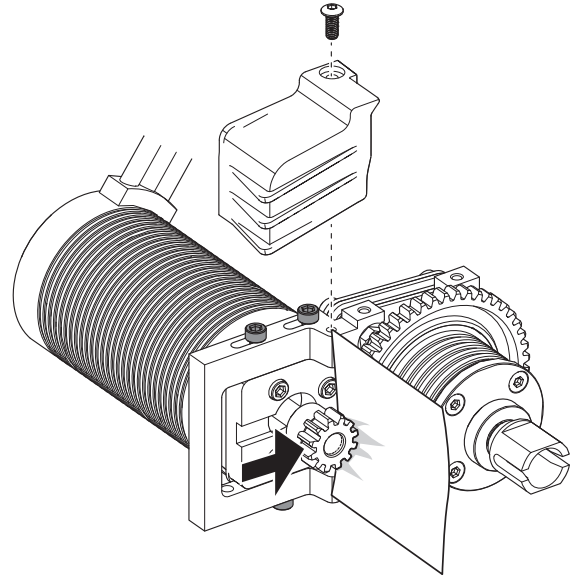
CHANGING THE PINION GEAR/GEAR RATIO

1. Unscrew the gear cover screw and remove the gear cover.
2. Loosen the motor screws and slide the motor over.
3. Place the new pinion on the end of the motor shaft so the set screw is located over the flat on the shaft.
4. Position it so the teeth line up with the spur gear and secure the pinion by tightening the set screw.
5. Set the gear mesh.
6. Reinstall the gear cover.

SETTING THE GEAR MESH

The gear mesh has already been set at the factory. Setting it is only necessary when changing motors or gears.

Proper gear mesh (how gear teeth meet) is important to the performance of the vehicle. When the gear mesh is too loose, the spur gear could be damaged by the pinion gear of the motor. If the mesh is too tight, speed could be limited and the motor and ESC will overheat.



1. Unscrew the gear cover screw and remove the gear cover.
2. Loosen the motor screws and slide the motor over.

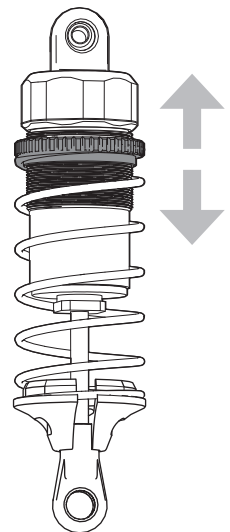
TIP: The bottom motor screw can be accessed from the bottom of the vehicle.

3. Put a small piece of paper between the pinion and spur gears.
4. Push the gears together while tightening the motor screws.
5. Remove the paper. Check the mesh at 3–5 different locations around the spur gear for a small amount of movement.
6. Reinstall the gear cover.

TIP: Stock gearing for the vehicle is 50/13. Optional 11t, 12t and 14t pinion gears are available.

RIDE HEIGHT

Set the vehicle on a flat surface and turn the threaded collars on the shocks evenly so both the front and rear suspension arms are level.





Specifications	
Type	Sensorless
Constant/Peak	160A/1050A
Resistance	0.0002Ohm
Function	Forward with Brake, Forward/Reverse with Brake
Operation	Proportional forward, proportional reverse with braking
Input Voltage	3-8s LiPo
BEC Output	6V/8.4V, 6A
Overload Protection	Motor Lock-up protection, Low-voltage cutoff protection, Thermal protection, Overload protection and fail safe (throttle signal loss protection)
Dimensions (LxWxH)	70mm x 65mm x 45.5mm
Weight	288g

ESC LED STATUS

- No ESC LEDs will glow when there is no throttle input from the transmitter.
- The red ESC LED glows when there is any throttle input from the transmitter.

AUDIBLE WARNING TONES

1. **Input Voltage:** The ESC checks the input voltage when it is powered ON. If a voltage problem is detected, the ESC continuously sounds 2 beeps with a 1 second pause (xx-xx-xx). Power OFF the ESC and ensure the connections are secure and that the battery power is not too low for safe operation.
2. **Radio Connection:** The ESC checks radio signal input when it is powered ON. If a problem is detected, the ESC continuously sounds 1 beep with a 2 second pause (x--x--x). Power OFF the ESC and ensure the radio system is operating correctly.

ESC CALIBRATION PROCEDURE

Ensure proper ESC function by calibrating the ESC to your transmitter inputs.

1. Power OFF the ESC.
2. Ensure your transmitter is powered ON, the throttle is not reversed, the throttle trim is neutral and the throttle travel range is at 100%. Disable any special functions such as ABS, etc.
3. Press the SET button while powering ON the ESC. Release the button as soon as the red LED starts to flash.
4. Calibrate the throttle points by pressing the SET button once after each step.
 - Neutral (1 flash)—leave the throttle at rest, untouched
 - Full throttle (2 flashes)—pull the throttle fully back
 - Full brake/reverse (3 flashes)—push the throttle fully forward
5. The motor will run 3 seconds after the last step is completed.



Tip: If the motor turns in the wrong direction, reverse the connection of any 2 outside motor wires. The center wire must remain in the center and cannot be moved to another motor tab.

ESC PROGRAMMING PROCEDURE

1. Connect the batteries to the ESC.
2. Power on the ESC using the ESC switch.
3. Hold the SET button for 1 second until the green LED blinks, then release the SET button to enter programming mode.
4. Press and release the SET button as needed to get to the desired menu option (the Green LED will blink corresponding to the menu item number). Programming menu items 1 through 6 are accessible using the SET button on the ESC.
5. When at the desired menu item, press the SET button for 3 seconds until the red LED blinks.
6. Press the SET button to move among the settings based on how many times the red LED blinks (Refer to the table for more information).
7. Save the setting by pressing the SET button for 3 seconds.
8. Power off the ESC switch and repeat instructions above to change other settings.



The black-shaded setting is the factory default.

PROGRAMMABLE ITEMS	PROGRAMMABLE VALUE				
	1	2	3	4	5
1 Running Mode	Forward with Brake	Forward/ Reverse with Brake			
2 Li-Po Cells	Auto Calc.	3s	4s	6s	8s
3 Low Voltage Cutoff	Auto (Low)	Auto (Intermediate)	Auto (High)		
4 BEC Voltage	6.0V	8.4V			
5 Max Brake Force	25%	50%	75%	100%	
6 Max Reverse Force	25%	50%	75%	100%	
7 Start Mode/Punch	Level 1	Level 2	Level 3	Level 4	Level 5

DESCRIPTIONS

1. Running Mode

- Forward Only with Brake

Intended for competition use, this mode allows only forward and brake controls.

- Forward/Reverse with Brake

This mode is the basic all-around mode, allowing forward, reverse and brake controls. To engage reverse while moving forward, apply the brake until the vehicle has come to a complete stop, release brake, then apply the brake again. While braking or in reverse, engaging the throttle will result in the vehicle immediately accelerating forward.

2. Li-Po Cells

The default setting is Auto Calc which will automatically select the detected number of cells. Select value 2-5 to manually select a cell count from 3-8 cells.

3. Low Voltage Cutoff

This function helps to prevent battery over-discharge. The ESC continuously monitors the battery's voltage. If the voltage falls below the voltage threshold for 2 seconds, the output power shuts off and the red LED flashes twice repeatedly.

The cutoff threshold calculation is based on individual Li-Po cell voltage. For Ni-MH batteries, if the voltage battery pack is higher than 9.0V, it will be treated as a 3-cell Li-Po battery pack; if it is lower than 9.0V, it will be treated as a 2-cell Li-Po battery pack. Example: for a 8.0V Ni-MH battery pack used with a 2.6V/cell threshold, it will be treated as a 2-cell Li-Po battery pack and the low-voltage cut-off threshold will be 5.2V (2.6x2=5.2).

4. Bec Voltage

Select either 6 or 8.4 V to run the receiver and servos.

5. Max Brake Force

Adjusts the maximum braking force. A higher value provides stronger braking, but can also cause the wheels to lock, resulting in loss of control of the car.

6. Max Reverse Force

This parameter adjusts the maximum power when travelling in reverse.

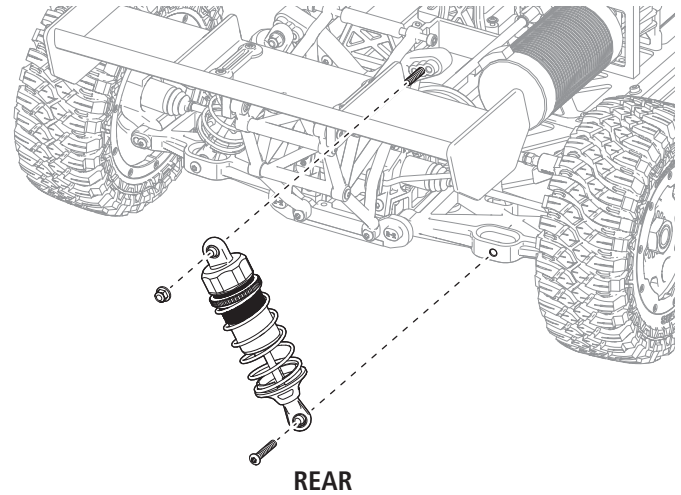
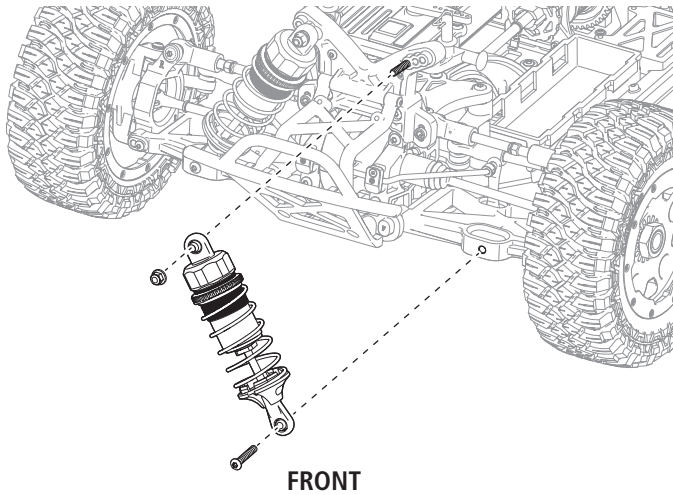
7. Start Mode (Punch)

Sets the initial throttle punch when the car accelerates. Level 1 gives a very soft initial acceleration and level 5 gives a stronger initial acceleration.

The following items require semi-frequent maintenance.

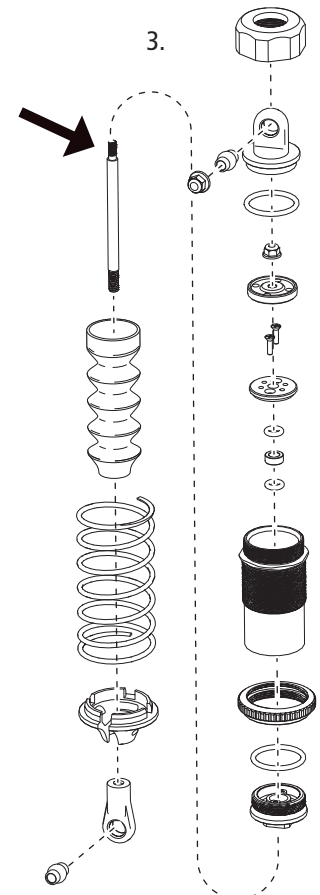
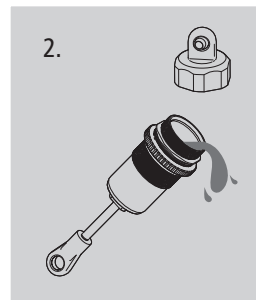
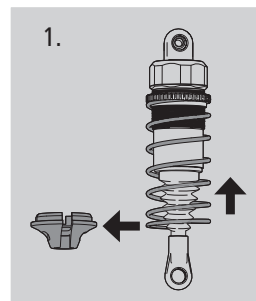
SHOCK DISASSEMBLY/CLEANING

Remove the shocks and service as needed. Replace worn parts.



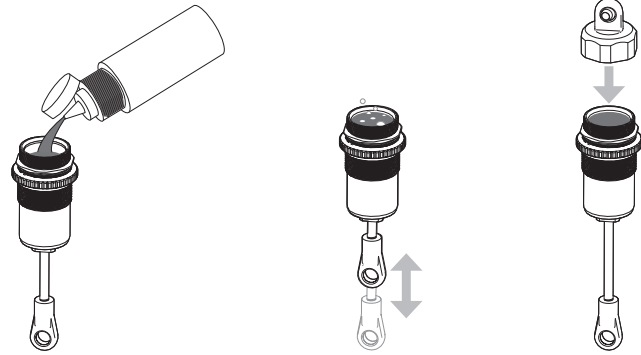
1. Pull the spring up and away from the lower cup. Slide the lower spring cup up and off of the shaft. Clean with a soft brush. Remove the shock boot.
2. Use the wheel wrench to hold the shock body and remove the top cap. Empty the fluid from out of the shock.
3. Hold the shaft with a multi-wrench and remove the shock end. Push the shaft into the shock body and remove through the top. Remove the lower shock cap, dust cover, O-rings and spacer. Clean the shock body. Install new O-rings, re-install the spacer, replace the O-ring and install the lower shock cap. **DO NOT TIGHTEN**. Install the shock shaft through the shock bottom and tighten the bottom cap. Re-install the boot and shock end on the shaft.

Tip: Clean the screw and internal threads in the shaft with a spray cleaner. Use Medium Strength Threadlock. (Note arrow)



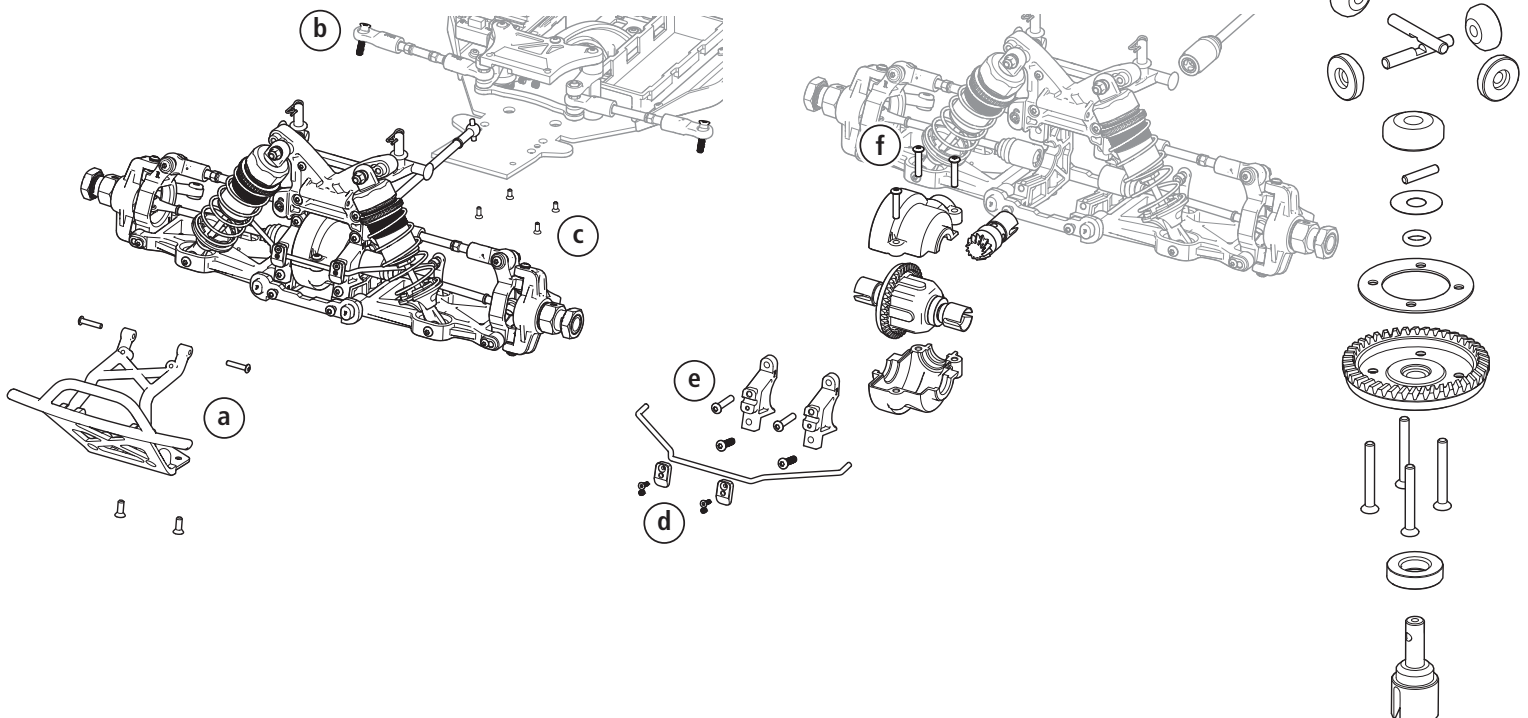
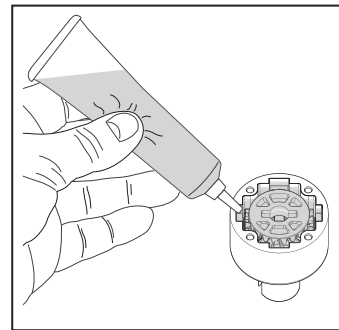
REFILLING/BLEEDING SHOCKS

1. Fill the shock body 5mm (0.2 in) from the top with 40wt silicone shock oil (TLR74025).
2. Slowly move the piston up and down 5 times, allowing air to rise to the top. Let the shock sit for 5 minutes.
3. With the piston all the way down, fill the shock body 1mm (0.04 in) from the top. Replace the shock cap, spring and spring cup.



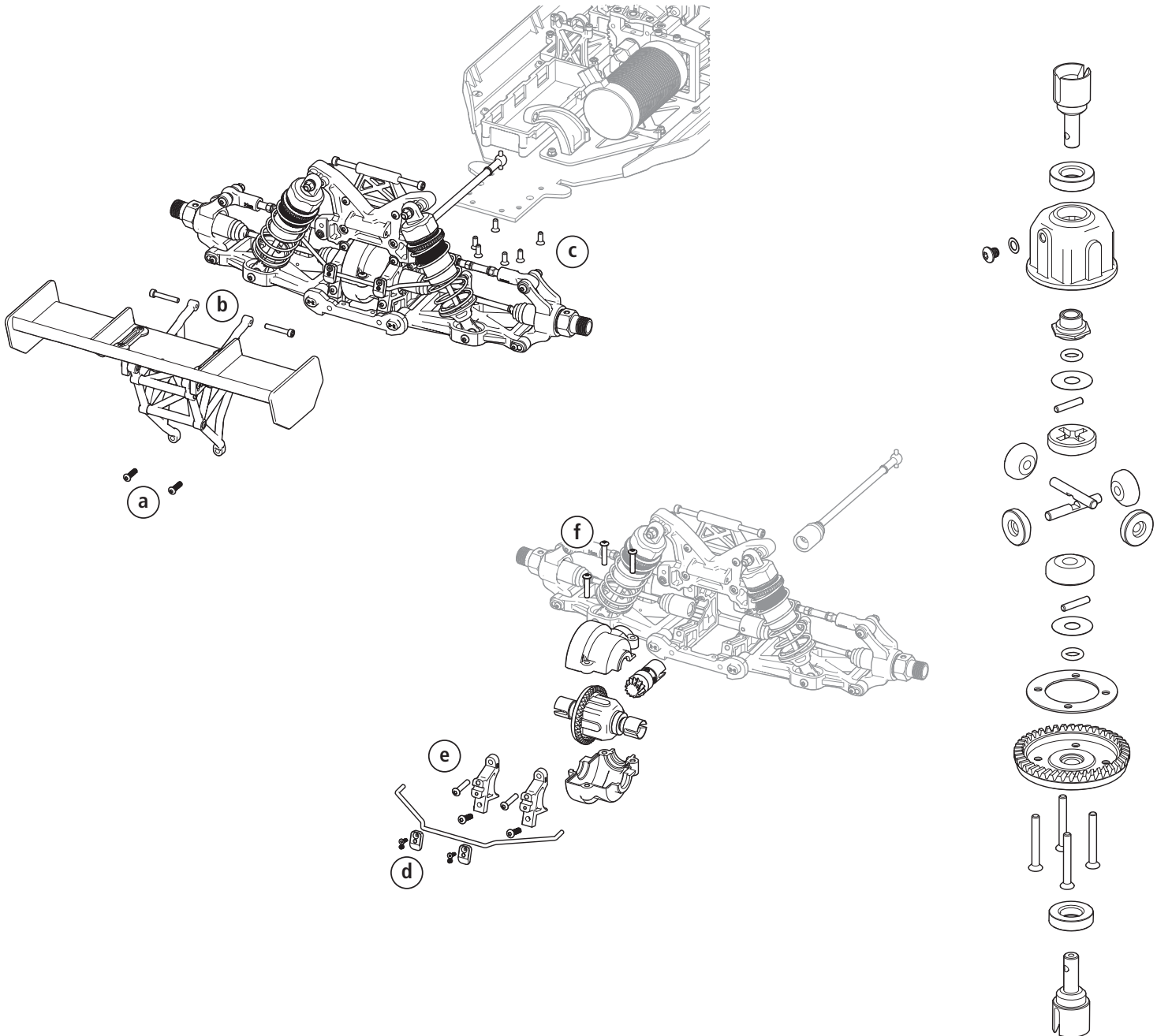
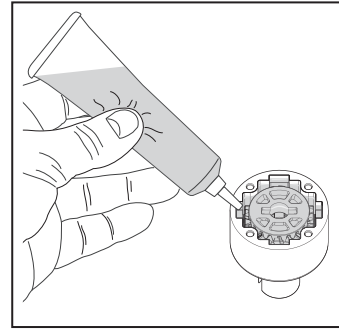
FRONT DIFFERENTIAL

1. Remove the front clip.
2. Remove the cover and differential.
3. Check the differential fluid and refill or replace as needed with DYN2656 (30,000CS) fluid. The fluid level should be about 0.12 in (3.0mm) from the top surface of the case. Do not overfill or the differential unit might leak.
4. Check the ring and pinion as well as the bevel gears in the differential. Replace as needed. If fluid is leaking at the drive cups, replace the O-rings. Apply more grease to the ring and pinion (LOSA99209).



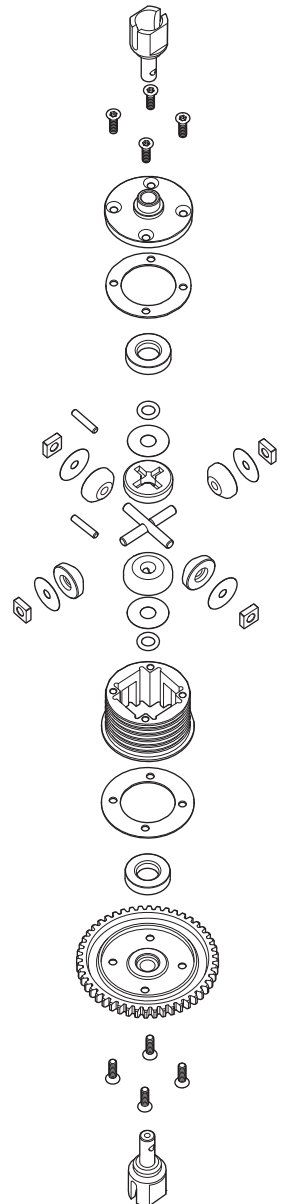
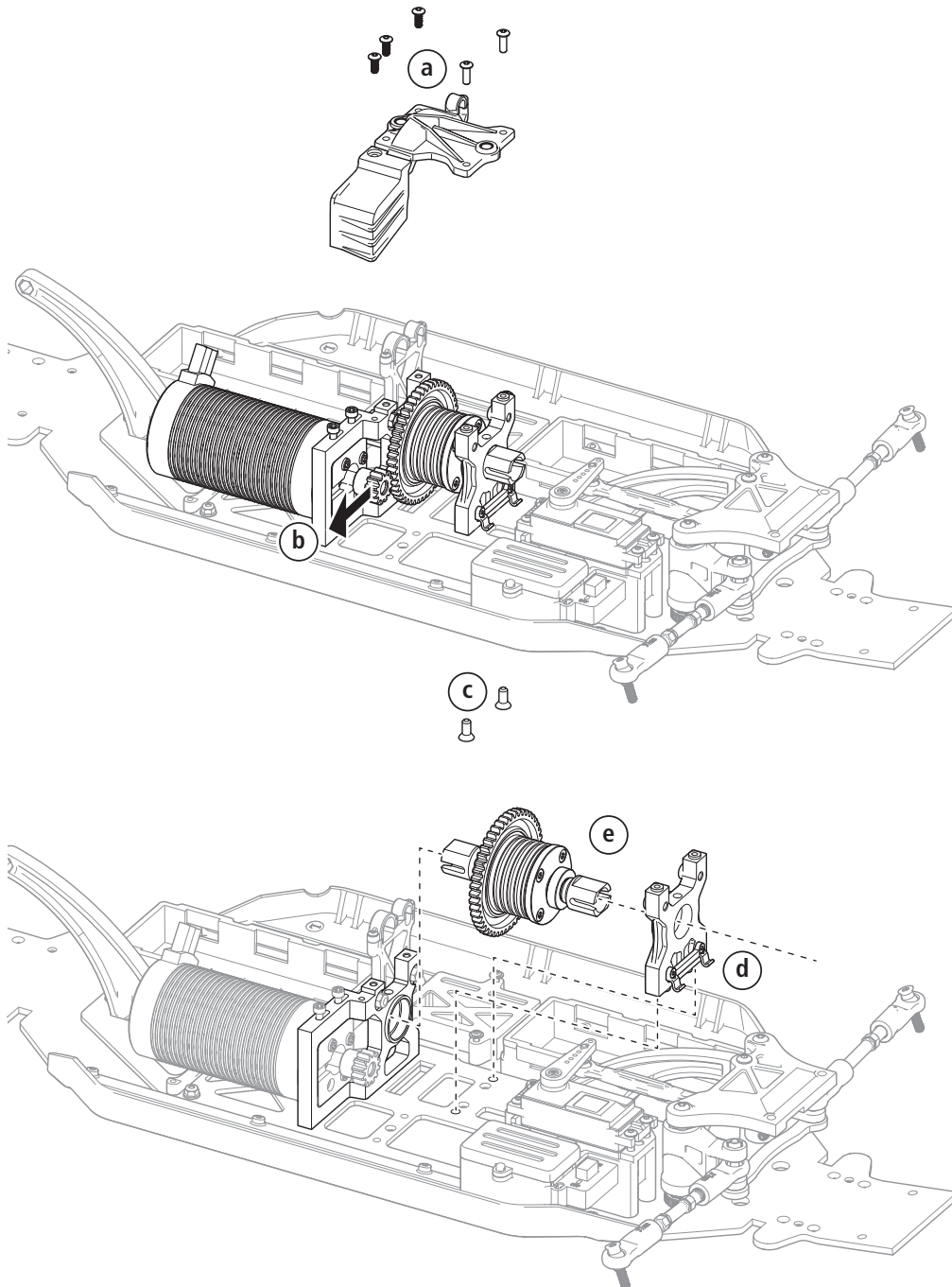
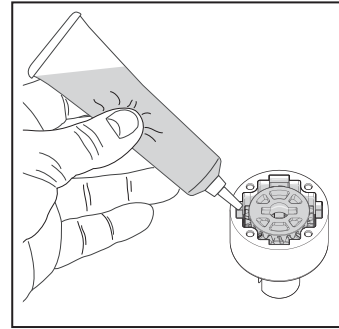
REAR DIFFERENTIAL

1. Remove the rear clip.
2. Remove the cover and differential.
3. Check the differential fluid and refill or replace as needed with DYN2656 (30,000CS) fluid. The fluid level should be about 0.12 in (3.0mm) from the top surface of the case. Do not overfill or the differential unit might leak.
4. Check the ring and pinion as well as the bevel gears in the differential. Replace as needed. If fluid is leaking at the drive cups, replace the O-rings. Apply more grease to the ring and pinion (LOSA99209).



CENTER DIFFERENTIAL

1. Inspect the spur gear. Replace if worn or damaged.
2. Check the differential fluid and refill or replace as needed with DYN2657 (50,000CS) fluid. The fluid level should be about 0.12 in (3.0mm) from the top surface of the case. Do not overfill or the differential unit might leak.
3. Check the spur gear and pinion as well as the bevel gears in the differential. Replace as needed. If fluid is leaking at the drive cups, replace the O-rings.



TROUBLESHOOTING GUIDE

PROBLEM	POSSIBLE CAUSE	SOLUTION
Vehicle does not operate	Battery not charged or plugged in	Charge battery/plug in
	ESC switch not "On"	Turn on ESC switch
	Transmitter not "On" or low battery	Turn on/replace batteries
Motor runs but wheels do not rotate	Pinion not meshing with spur gear	Adjust pinion/spur mesh
	Pinion spinning on motor shaft	Tighten pinion gear setscrew on motor shaft flat spot
	Transmission gears stripped	Replace transmission gears
	Drive pin broken	Check and replace drive pin
Steering does not work	Servo plug not in receiver properly	Make sure the steering servo plug is connected to the receiver steering channel, noting proper polarity
	Servo gears or motor damaged	Replace or repair servo
Will not turn one direction	Servo gears damaged	Replace or repair servo
Motor does not run	Motor wire solder joint is damaged	Resolder the motor wire with the proper equipment
	Motor wire broken	Repair or replace as needed
	ESC damaged	Contact Horizon Hobby Product Support
ESC gets hot	Motor over-gear	Use smaller pinion or larger spur gear
	Driveline bound up	Check wheels and transmission for binding
Poor run time and/or sluggish acceleration	Battery pack not fully charged	Recharge battery
	Charger not allowing full charge	Try another charger
	Driveline bound up	Check wheels, transmission for binding
Poor range and/or glitching	Transmitter batteries low	Check and replace
	Vehicle battery low	Recharge battery
	Loose plugs or wires	Check all wire connections and plugs

LIMITED WARRANTY

What this Warranty Covers

Horizon Hobby, LLC, (Horizon) warrants to the original purchaser that the product purchased (the "Product") will be free from defects in materials and workmanship at the date of purchase.

What is Not Covered

This warranty is not transferable and does not cover (i) cosmetic damage, (ii) damage due to acts of God, accident, misuse, abuse, negligence, commercial use, or due to improper use, installation, operation or maintenance, (iii) modification of or to any part of the Product, (iv) attempted service by anyone other than a Horizon Hobby authorized service center, (v) Product not purchased from an authorized Horizon dealer, or (vi) Product not compliant with applicable technical regulations or (vii) use that violates any applicable laws, rules, or regulations.

OTHER THAN THE EXPRESS WARRANTY ABOVE, HORIZON MAKES NO OTHER WARRANTY OR REPRESENTATION, AND HEREBY DISCLAIMS ANY AND ALL IMPLIED WARRANTIES, INCLUDING, WITHOUT LIMITATION, THE IMPLIED WARRANTIES OF NON-INFRINGEMENT, MERCHANTABILITY AND FITNESS FOR A PARTICULAR PURPOSE. THE PURCHASER ACKNOWLEDGES THAT THEY ALONE HAVE DETERMINED THAT THE PRODUCT WILL SUITABLY MEET THE REQUIREMENTS OF THE PURCHASER'S INTENDED USE.

Purchaser's Remedy

Horizon's sole obligation and purchaser's sole and exclusive remedy shall be that Horizon will, at its option, either (i) service, or (ii) replace, any Product determined by Horizon to be defective. Horizon reserves the right to inspect any and all Product(s) involved in a warranty claim. Service or replacement decisions are at the sole discretion of Horizon. Proof of purchase is required for all warranty claims. SERVICE OR REPLACEMENT AS PROVIDED UNDER THIS WARRANTY IS THE PURCHASER'S SOLE AND EXCLUSIVE REMEDY.

Limitation of Liability

HORIZON SHALL NOT BE LIABLE FOR SPECIAL, INDIRECT, INCIDENTAL OR CONSEQUENTIAL DAMAGES, LOSS OF PROFITS OR PRODUCTION OR COMMERCIAL LOSS IN ANY WAY, REGARDLESS OF WHETHER SUCH CLAIM IS BASED IN CONTRACT, WARRANTY, TORT, NEGLIGENCE, STRICT LIABILITY OR ANY OTHER THEORY OF LIABILITY, EVEN IF HORIZON HAS BEEN ADVISED OF THE POSSIBILITY OF SUCH DAMAGES. Further, in no event shall the liability of Horizon exceed the individual price of the Product on which liability is asserted. As Horizon has no control over use, setup, final assembly, modification or misuse, no liability shall be assumed nor accepted for any resulting damage or injury. By the act of use, setup or assembly, the user accepts all resulting liability. If you as the purchaser or user are not prepared to accept the liability associated with the use of the Product, purchaser is advised to return the Product immediately in new and unused condition to the place of purchase.

Law

These terms are governed by Illinois law (without regard to conflict of law principals). This warranty gives you specific legal rights, and you may also have other rights which vary from state to state. Horizon reserves the right to change or modify this warranty at any time without notice.

WARRANTY SERVICES

Questions, Assistance, and Services

Your local hobby store and/or place of purchase cannot provide warranty support or service. Once assembly, setup or use of the Product has been started, you must contact your local distributor or Horizon directly. This will enable Horizon to better answer your questions and service you in the event that you may need any assistance. For questions or assistance, please visit our website at www.horizonhobby.com, submit a Product Support Inquiry, or call the toll free telephone number referenced in the Warranty and Service Contact Information section to speak with a Product Support representative.

Inspection or Services

If this Product needs to be inspected or serviced and is compliant in the country you live and use the Product in, please use the Horizon Online Service Request submission process found on our website or call Horizon to obtain a Return Merchandise Authorization (RMA) number. Pack the Product securely using a shipping carton. Please note that original boxes may be included, but are not designed to withstand the rigors of shipping without additional protection. Ship via a carrier that provides tracking and insurance for lost or damaged parcels, as Horizon is not responsible for merchandise until it arrives and is accepted at our facility. An Online Service Request is available at http://www.horizonhobby.com/content/_service-center_render-service-center. If you do not have internet access, please contact Horizon Product Support to obtain a RMA number along with instructions for submitting your product for service. When calling Horizon, you will be asked to provide your complete name, street address, email address and phone number where you can be reached during business hours. When sending product into Horizon, please include your RMA number, a list of the included items, and a brief summary of the problem. A copy of your original sales receipt must be included for warranty consideration. Be sure your name, address, and RMA number are clearly written on the outside of the shipping carton.

NOTICE: Do not ship Li-Po batteries to Horizon. If you have any issue with a Li-Po battery, please contact the appropriate Horizon Product Support office.

Warranty Requirements

For Warranty consideration, you must include your original sales receipt verifying the proof-of-purchase date. Provided warranty conditions have been met, your Product will be serviced or replaced free of charge. Service or replacement decisions are at the sole discretion of Horizon.

Non-Warranty Service

Should your service not be covered by warranty, service will be completed and payment will be required without notification or estimate of the expense unless the expense exceeds 50% of the retail purchase cost. By submitting the item for service you are agreeing to payment of the service without notification. Service estimates are available upon request. You must include this request with your item submitted for service. Non-warranty service estimates will be billed a minimum of ½ hour of labor. In addition you will be billed for return freight. Horizon accepts money orders and cashier's checks, as well as Visa, MasterCard, American Express, and Discover cards. By submitting any item to Horizon for service, you are agreeing to Horizon's Terms and Conditions found on our website http://www.horizonhobby.com/content/_service-center_render-service-center.

ATTENTION: Horizon service is limited to Product compliant in the country of use and ownership. If received, a non-compliant Product will not be serviced. Further, the sender will be responsible for arranging return shipment of the un-serviced Product, through a carrier of the sender's choice and at the sender's expense. Horizon will hold non-compliant Product for a period of 60 days from notification, after which it will be discarded.

10/15

WARRANTY AND SERVICE CONTACT INFORMATION

Country of Purchase	Horizon Hobby	Contact Information	Address
United States of America	Horizon Service Center (Repairs and Repair Requests)	servicecenter.horizonhobby.com/RequestForm/	4105 Filedstone Rd. Champaign, Illinois 61822 USA
	Horizon Product Support (Product Technical Assistance)	productsupport@horizonhobby.com 877-504-0233	
United Kingdom	Sales	websales@horizonhobby.com 800-338-4639	Units 1-4 Ployters Rd Staple Tye Harlow, Essex CM18 7NS, United Kingdom
	Service/Parts/Sales: Horizon Hobby Limited	sales@horizonhobby.co.uk +44 (0) 1279 641 097	
Germany	Horizon Technischer Service	service@horizonhobby.de	Christian-Junge-Straße 1 25337 Elmshorn, Germany
	Sales: Horizon Hobby GmbH	+49 (0) 4121 2655 100	
France	Service/Parts/Sales: Horizon Hobby SAS	infofrance@horizonhobby.com +33 (0) 1 60 18 34 90	11 Rue Georges Charpak 77127 Lieusaint, France

FCC STATEMENT

FCC ID: BRWDSTX1 BRWDASRX12

This device complies with part 15 of the FCC rules. Operation is subject to the following two conditions: (1) This device may not cause harmful interference, and (2) this device must accept any interference received, including interference that may cause undesired operation.

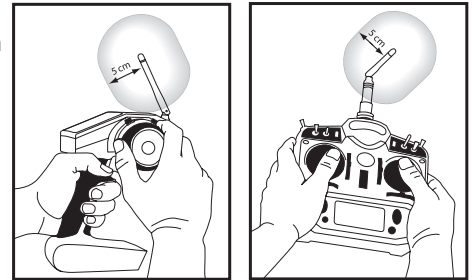
CAUTION: Changes or modifications not expressly approved by the party responsible for compliance could void the user's authority to operate the equipment.

This product contains a radio transmitter with wireless technology which has been tested and found to be compliant with the applicable regulations governing a radio transmitter in the 2.400GHz to 2.4835GHz frequency range.

ANTENNA SEPARATION DISTANCE

When operating your Spektrum transmitter, please be sure to maintain a separation distance of at least 5 cm between your body (excluding fingers, hands, wrists, ankles and feet) and the antenna to meet RF exposure safety requirements as determined by FCC regulations.

The following illustrations show the approximate 5 cm RF exposure area and typical hand placement when operating your Spektrum transmitter.



IC INFORMATION

IC: 6157A-STX1 6157 A-AMRX12

This device complies with Industry Canada licence-exempt RSS standard(s). Operation is subject to the following two conditions: (1) this device may not cause interference, and (2) this device must accept any interference, including interference that may cause undesired operation of the device.

COMPLIANCE INFORMATION FOR THE EUROPEAN UNION

CE EU Compliance Statement: Horizon Hobby, LLC hereby declares that this product is in compliance with the essential requirements and other relevant provisions of the R&TTE and EMC Directive.

A copy of the EU Declaration of Conformity is available online at: <http://www.horizonhobby.com/content/support-render-compliance>.



Instructions for disposal of WEEE by users in the European Union

This product must not be disposed of with other waste. Instead, it is the user's responsibility to dispose of their waste equipment by handing it over to a designated collections point for the recycling of waste electrical and electronic equipment. The separate collection and recycling of your waste equipment at the time of disposal will help to conserve natural resources and ensure that it is recycled in a manner that protects human health and the environment. For more information about where you can drop off your waste equipment for recycling, please contact your local city office, your household waste disposal service or where you purchased the product.

Hardware Zubehör

Visserie et Accessoires Viti e Parti accessori



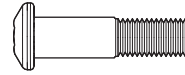
M3 x 10mm (LOS255005)



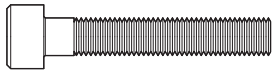
3 x 8mm (LOS255002)



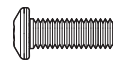
M3 x 22mm (LOS255001)



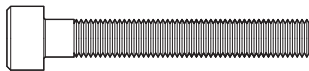
M5 x 20mm (LOS255002)



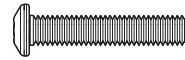
M5 x 30mm (LOS255001)



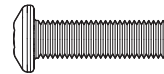
M4 x 12mm (LOS255002)



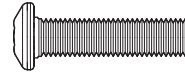
M5 x 35mm (LOS255001)



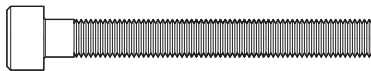
M4 x 20mm (LOS255002)



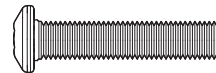
M5 x 18mm (LOS255002)



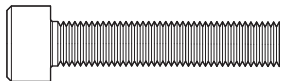
M5 x 20mm (LOS255002)



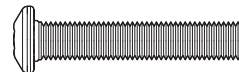
M5 x 45mm (LOS255001)



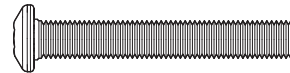
M5 x 24mm (LOS255002)



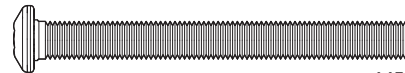
M6 x 30mm (LOS255001)



M5 x 28mm (LOS255002)



M5 x 35mm (LOS255002)



M5 x 50mm (LOS255002)



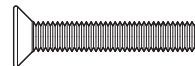
M2.5 x 10mm (LOS255003)



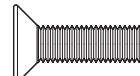
M3 x 10mm (LOS255003)



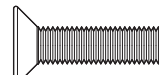
M4 x 12mm (LOS255003)



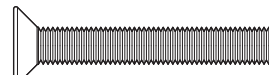
M4 x 22mm (LOS255003)



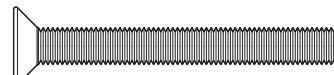
M5 x 14mm (LOS255003)



M5 x 20mm (LOS255003)



M5 x 32mm (LOS255003)



M5 x 40mm (LOS255003)



M4 x 4mm (LOS255000)



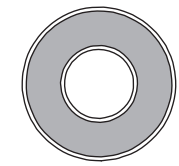
M5 x 5mm (LOS255000)



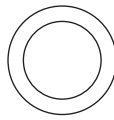
M6 x 5mm (LOS255000)



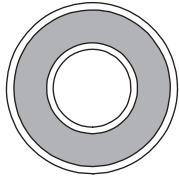
M6 x 12mm (LOS255000)



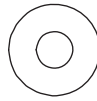
8 x 19 x 6mm (LOS257000)



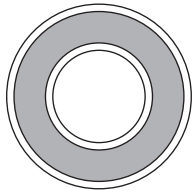
10.1 x 14 x .25mm (LOS256001)



10 x 22 x 6mm (LOS257001)



4 x 10 x 1mm (LOS256001)



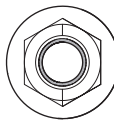
12 x 24 x 6mm (LOS257002)



M4 (LOS256000)



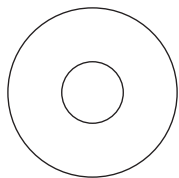
M5 (LOS256000)



M5 (LOS256000)



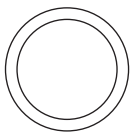
7 x 10 x 4mm (LOS257002)



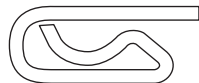
8 x 22 x 0.2mm (LOS256001)



(LOS256005)



13 x 16 x 0.3mm (LOS256001)



(LOS256005)

Parts Listings Teileliste

Liste des pièces Elenco ricambi

Part #	English	Deutsch	Français	Italiano
DYN2656	Silicone Differential Fluid, 30,000 wt	Dynamite Silikon Differentialöl 30.000wt	Huile silicone pour différentiel 30.000wt	Fluido silicone differenziale 30.000 wt
DYN2657	Silicone Differential Fluid, 50,000 wt	Dynamite Silikon Differentialöl 50.000wt	Huile silicone pour différentiel 50.000wt	Fluido silicone differenziale 50.000 wt
DYNS1665	Dynamite 800kv 1/5th BL Motor, 8mm shaft	Dynamite 800kv 1/5th BL Motor, 8mm Welle	Moteur Dynamite 1/5 800Kv BL, axe 8mm	Motore Dynamite 800 Kv 1/5, albero 8 mm
DYNS2661	FUZE 160A BL WP 1/5th ESC: 8s	FUZE 160A BL WP 1/5 Geschwindigkeitsregler: 8S	Contrôleur FUZE 1/5 160A BL WP: 8s	ESC FUZE 160 A BL WP 1/5: 8s
LOS250016	Body Set, Screened, Black: DBXL-E	Karosserie-Set, mit Verdeck, schwarz: DBXL-E	DBXL-E - Carrosserie noire	Carrozzeria, schermata, nero: DBXL-E
LOS250017	Body Set, Screened, Grey: DBXL-E	Karosserie-Set, mit Verdeck, grau: DBXL-E	DBXL-E - Carrosserie grise	Carrozzeria, schermata, grigio: DBXL-E
LOS250018	Body Set w/sticker sheet, Clear: DBXL-E	Karosserie-Set m. Aufkleberbogen, transparent: DBXL-E	DBXL-E - Carrosserie transparente avec planche de stickers	Carrozzeria con adesivi, trasparente: DBXL-E
LOS250019	LED Light Bar Set, Complete: DBXL-E	LED-Leuchtbalkenset, vollständig: DBXL-E	DBXL-E - Rampe DEL, complète	Barra LED, completa: DBXL-E
LOS250020	Roll Cage Screw Set: DBXL-E	Schraubenset für Überrollbügel: DBXL-E	DBXL-E - Vis d'arceau cage	Set viti roll cage: DBXL-E
LOS250021	Body Mounting Screw Set: DBXL-E	Schraubenset für Karosseriemontage: DBXL-E	DBXL-E - Vis de fixation de carrosserie	Set viti supporto telaio: DBXL-E
LOS251016	Front/Rear, Bulkhead Set: 1:5 4wd DB XL	Front/Heck, Schott-Set: 1:5 4wd DB XL	DBXL 1/5 4WD - Cellule av/arr	Set paratia ant./post.: 1:5 4wd DB XL
LOS251020	ST & TH Servo Horn: S901 Servo DB XL	ST- und TH-Servohorn: S901 Servo DB XL	Servo S901 DB XL - Bras de servo direction et gaz	Squadretta servo sterzo e motore: S901 Servo DBXL
LOS251044	Steering Post/Tube/Spring Set: MTXL	Lenksäulen-/Rohr-/Feder-Set: MTXL	MTXL - Tubes, ressort et support de direction	Set comandi/tubo/molla sterzo: MTXL
LOS251045	Wing Mount, Complete: DBXL-E	Spoilerhalter, vollständig: DBXL-E	DBXL-E - Support aileron	Supporto alettone, completo: DBXL-E
LOS251046	Wing, Black: DBXL-E	Spoiler, schwarz: DBXL-E	DBXL-E - Aileron noir	Alettone, nero: DBXL-E
LOS251047	Battery Tray (2): DBXL-E	Akkualter (2): DBXL-E	DBXL-E - Support batterie (2)	Supporto batteria (2): DBXL-E
LOS251048	Battery Strap (6): DBXL-E	Akkulasche (6): DBXL-E	DBXL-E - Sangle batterie (6)	Fascetta batteria (6): DBXL-E
LOS251049	Bellcrank Set & Top Plate: DBXL-E	Lenkhebel-Set und Oberplatte: DBXL-E	DBXL-E - Renvoi & bouchon	Set squadretta e piastra superiore: DBXL-E
LOS251050	Chassis w/Brace plate, 4mm, Black: DBXL-E	Chassis mit Stützplatte, 4mm, schwarz: DBXL-E	DBXL-E - Châssis avec plaque de renfort 4mm, noir	Telaio con montante, 4 mm, nero: DBXL-E
LOS251051	Chassis Side Guards and Braces: DBXL-E	Chassis-Seitenflügel und -streben: DBXL-E	DBXL-E - Protections latérales et renforts de châssis	Protezioni laterali e montanti telaio: DBXL-E
LOS251052	Steering Drag Link, Silver: DBXL-E, MTXL	Spurstange, silbern: DBXL-E, MTXL	DBXL-E, MTXL - Bielle de commande de direction, argenté	Rinvio trascinamento sterzo, argento: DBXL-E, MTXL
LOS251053	Roll Cage, Flip, Complete: DBXL-E	Überrollbügel, Flip, vollständig: DBXL-E	DBXL-E - Arceau de cage, Flip, complet	Roll cage, completo: DBXL-E
LOS252004	Front/Rear Diff Set, Assembled: 1:5 4wd DB XL	Front-/Heck-Diff.-Set, montiert: 1:5 4wd DB XL	DBXL 1/5 4WD - Différentiel av/arr assemblé	Set differenziale ant./post., assemblato: 1:5 4wd DB XL
LOS252005	Front & Rear Gear Box: 1:5 4wd DB XL	Front-/Heck-Getriebegehäuse: 1:5 4wd DB XL	DBXL 1/5 4WD - Carter de différentiel av/arr	Scatola cambio ant./post.: 1:5 4wd DB XL
LOS252006	Front/Rear Diff Outdrive Set: 1:5 4wd DB XL	Antriebsklaue für Front-/Heckdiff.: 1:5 4wd DB XL	DBXL 1/5 4WD - Noix de sortie de différentiel av/arr	Set trascinatore differenziale ant./post.: 1:5 4wd DB XL
LOS252007	Center Differential Outdrive Set: 1:5 4wd DB XL	Antriebsklaue für Mitteldiff.: 1:5 4wd DB XL	DBXL 1/5 4WD - Noix de sortie de différentiel central	Set trascinatore differenziale centrale: 1:5 4wd DB XL
LOS252009	Differential Rebuild Kit (1): 1:5 4wd DB XL	Differentialreparatur-Kit (1): 1:5 4wd DB XL	DBXL 1/5 4WD - Kit de réparation de différentiel (1)	Kit riparazione differenziale (1): 1:5 4wd DB XL
LOS252010	Front/Rear Differential Case (2): 1:5 4wd DB XL	Front-/Heck-Ausgleichsgehäuse (2): 1:5 4wd DB XL	DBXL 1/5 4WD - Corps de différentiel av/arr (2)	Scatola differenziale ant./post. (2): 1:5 4wd DB XL
LOS252011	Front/Rear Stub Axle (2): 1:5 4wd DB XL	Front-/Heck-Achsschenkel (2): 1:5 4wd DB XL	DBXL 1/5 4WD - Axe de roue av/arr (2)	Fuso a snodo ant./post. (2): 1:5 4wd DB XL
LOS252017	Axle Boot Set (10): 1:5 4wd DBXL	Achsmanschetten-Set (10): 1:5 4wd DBXL	DBXL 1/5 4WD - Set de chaussettes de protection d'axes (10)	Set protezione asse (10): 1:5 4wd DBXL

Part #	English	Deutsch	Français	Italiano
LOS252018	Front Universal (1): 1:5 4wd DBXL	Kreuzgelenk vorne (1): 1:5 4wd DBXL	DBXL 1/5 4WD - Cardan avant (1)	Universale anteriore (1): 1:5 4wd DBXL
LOS252020	Universal Rebuild Kit (2): 1:5 4wd DBXL	Kardangelen-Reparatur-Kit (2): 1:5 4wd DBXL	DBXL 1/5 4WD - Kit de réparation de cardan (2)	Kit riparazione universale (2): 1:5 4wd DBXL
LOS252050	Wheel Hex Black & Pin (4): MTXL	Radsechskantmütern schwarz und Stift (4): MTXL	MTXL - Hexagones de roues avec goupilles (4)	Esagono ruota nero e perno (4): MTXL
LOS252051	Wheel Nut, Black (4): MTXL, DBXL-E	Radmutter, schwarz (4): MTXL, DBXL-E	MTXL, DBXL-E - Écrous de roues, noirs (4)	Dado ruota, nero (4): MTXL, DBXL-E
LOS252052	Drive Pin Rebuild Set (17): MTXL, DBXL	Mitnehmerstift-Reparaturset (17): MTXL, DBXL	MTXL, DBXL - Set de goupilles d'entraînement de réparation (17)	Set riparazione perno guida (17): MTXL, DBXL
LOS252056	Dogbone 174mm, Center, Front (1): DBXL-E	Knochen 174mm, Mitte, Front (1): DBXL-E	DBXL-E - Cardan central avant 174mm (1)	Cardano 174 mm, centrale, anteriore (1): DBXL-E
LOS252057	Dogbone 186.5mm, Center, Rear (1): DBXL-E	Knochen 186,5mm, Mitte, Heck (1): DBXL-E	DBXL-E - Cardan central arrière 186,5mm (1)	Cardano 186,5 mm, centrale, posterior (1): DBXL-E
LOS252058	Motor Mount w/Adapter, Black: DBXL-E	Motorhalter mit Adapter, schwarz: DBXL-E	DBXL-E - Support moteur avec adaptateur, noir	Supporto motore con adattatore, nero: DBXL-E
LOS252059	Center Diff Standoff, TopPlate, & Gear Cover: DBXL-E	Mitteldiff-Abstandsbolzen, Oberplatte und Getriebedeckel: DBXL-E	DBXL-E - Entretoise, bouchon et carter de différentiel central	Distanziatore differenziale centrale, piastra superiore e copertura ingranaggio: DBXL-E
LOS252060	ESC Mount Plate, Standoff & Clamps: DBXL-E	Montageplatte für Geschwindigkeitsregler, Abstandsbolzen und Klemmen: DBXL-E	DBXL-E - Support contrôleur, entretoises et pinces de fixation	Supporto ESC, distanziatore e morsetti: DBXL-E
LOS252061	Center Diff Spur Gear, 48T: DBXL-E	Mitteldiff-Stirnradgetriebe, 48T: DBXL-E	DBXL-E - Couronne différentiel central, 48T	Ingranaggio cilindrico differenziale centrale, 48 denti: DBXL-E
LOS252062	Pinion Gear, 11T, 1.5M, 8mm Shaft	Ritzel, 11T, 1,5M, 8mm Welle	Pignon 11 dents, m1,5, axe 8mm	Pignone, 11 denti, 1,5 m, albero 8 mm
LOS252063	Pinion Gear, 12T, 1.5M, 8mm Shaft	Ritzel, 12T, 1,5M, 8mm Welle	Pignon 12 dents, m1,5, axe 8mm	Pignone, 12 denti, 1,5 m, albero 8 mm
LOS252064	Pinion Gear, 13T, 1.5M, 8mm Shaft	Ritzel, 13T, 1,5M, 8mm Welle	Pignon 13 dents, m1,5, axe 8mm	Pignone, 13 denti, 1,5 m, albero 8 mm
LOS252065	Pinion Gear, 14T, 1.5M, 8mm Shaft	Ritzel, 14T, 1,5M, 8mm Welle	Pignon 14 dents, m1,5, axe 8mm	Pignone, 14 denti, 1,5 m, albero 8 mm
LOS252066	Diff Housing Set, Aluminum (1): DBXL-E	Differential-Gehäuse-Set, Aluminium (1): DBXL-E	DBXL-E - Corps de différentiel, aluminium (1)	Set scatola differenziale, alluminio (1): DBXL-E
LOS252067	Diff Rebuild Kit, Al Diff Housing (1): DBXL-E	Diff-Reparatur-Kit, Al.-Diff-Gehäuse (1): DBXL-E	DBXL-E - Kit de réparation de différentiel, corps de différentiel alu (1)	Kit riparazione differenziale, alloggiamento alluminio (1): DBXL-E
LOS252068	Front/Rear 40T Ring & 12T pinion Gear Set: DBXL-E	Front-/Heck-40T-Ring und 12T-Ritzel-Set: DBXL-E	DBXL-E - Couronne avant/arrière 40T et Pignon 12T	Set anello 40 denti ant./post. e pignone 12 denti: DBXL-E
LOS253006	Spring Cups/Clips/Shock Ends (2): 1:5 4wd DB XL	Tellerfedern/Federklemmen/Kugellendpfanne (2): 1:5 4wd DB XL	DBXL 1/5 4WD - Chape/coupelle et clips d'amortisseurs (2)	Portamolle/clip/terminali ammortizzatore (2): 1:5 4wd DB XL
LOS253008	Shock Boot Set (4): 1:5 4wd DBXL	Stoßdämpferfeder-Set (4): 1:5 4wd DBXL	DBXL 1/5 4WD - Set de chaussettes d'amortisseurs (4)	Set protezione stelo ammortizzatore (4): 1:5 4wd DBXL
LOS253010	Shock Springs (4): 1:5 4WD DBXL	Stoßdämpferfedern (4): 1:5 4WD DBXL	DBXL 1/5 4WD - Ressorts d'amortisseurs (4)	Molle ammortizzatore (4): 1:5 4WD DBXL
LOS253020	Shock Rebuild Kit (2): DBXL-E	Stoßdämpfer-Reparatur-Kit (2): DBXL-E	DBXL-E - Kit de réparation pour amortisseur (2)	Kit riparazione ammortizzatore (2): DBXL-E
LOS254005	Spindle Carriers/Spindles/Hubs: 1:5 4wd DB XL	Spindelträger/Spindeln/Naben: 1:5 4wd DB XL	DBXL 1/5 4WD - Fusées av et arr et étrier	Portafuselli/fuselli/hub: 1:5 4wd DB XL
LOS254006	Suspension Arm Set (4): 1:5 4wd DB XL	Aufhängungsset (4): 1:5 4wd DB XL	DBXL 1/5 4WD - Bras de suspension (4)	Set braccetti sospensione (4): 1:5 4wd DB XL
LOS254009	Hinge Pin Brace Inserts, Set: 1:5 4wd DB XL	Einsätze für Scharnierbolzenstreben, Set: 1:5 4wd DB XL	DBXL 1/5 4WD - Insert de cales de pincement	Set inserti piastrine: 1:5 4wd DB XL
LOS254010	Hinge Pin, Set: 1:5 4wd DB XL	Scharnierbolzen, Set: 1:5 4wd DB XL	DBXL 1/5 4WD - Set d'axes de suspension	Set perno braccetti: 1:5 4wd DB XL
LOS254011	Turnbuckles, Set: 1:5 4wd DB XL	Spannschlösser, Set: 1:5 4wd DB XL	DBXL 1/5 4WD - Bielles	Set tiranti filettati: 1:5 4wd DB XL
LOS254012	Front/Rear Shocktower Set: 1:5 4wd DB XL	Front-/Heck-Stoßdämpferbrücken-Set: 1:5 4wd DB XL	DBXL 1/5 4WD - Supports d'amortisseur av/arr	Set torretta ammortizzatore ant./post.: 1:5 4wd DB XL
LOS254013	Front & Rear Sway Bar Kit: 1:5 4wd DBXL	Front- u. Heck-Ausgleichfeder-Kit: 1:5 4wd DBXL	DBXL 1/5 4WD - Kit de barres anti-roulis avant et arrière	Kit barra antirollio ant. e post.: 1:5 4wd DBXL
LOS254031	Pivot Balls and Rod Ends (12): MTXL	Gelenkkugeln und Gelenkköpfe (12): MTXL	MTXL - Rotules et chapes (12)	Perni a sfera e uniball tiranti (12): MTXL

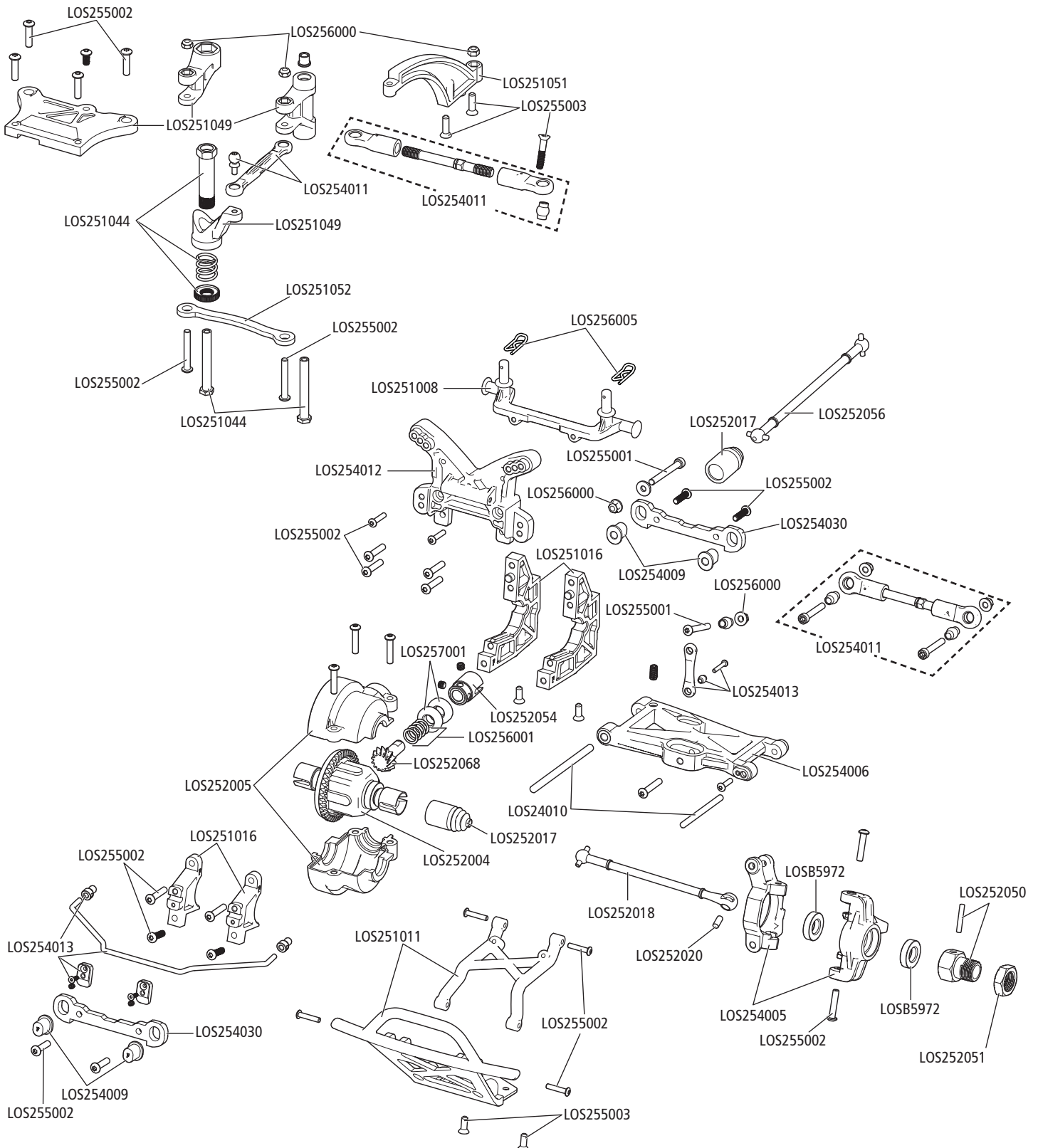
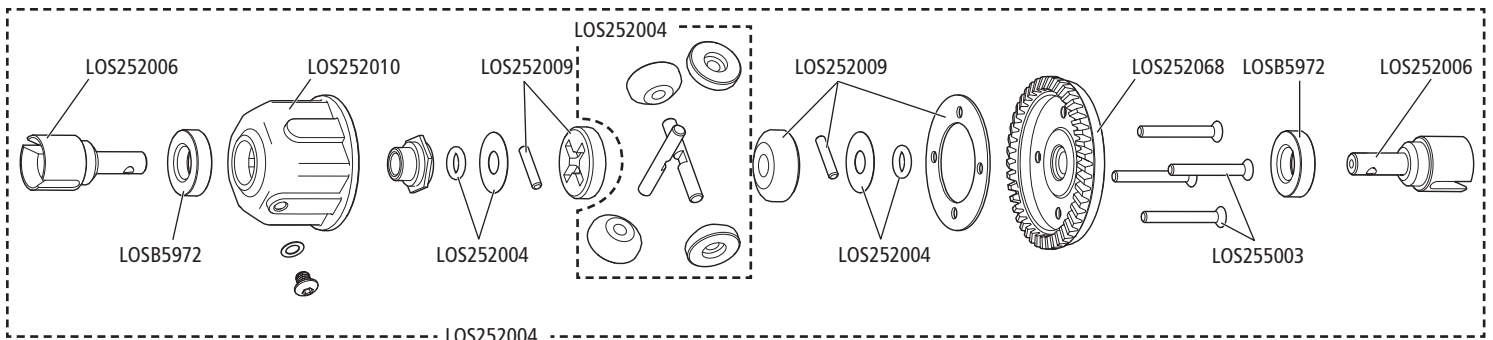
Part #	English	Deutsch	Français	Italiano
LOS255000	Set Screw, Set,(20):1:5 4wd DB XL	Stellschraube, Set,(20):1:5 4wd DB XL	DBXL 1/5 4WD - Visserie (20)	Set grani (20):1:5 4wd DB XL
LOS255001	Cap Head Screw, Set, (30): 1:5 4wd DB XL	Kopfschraube, Set, (30): 1:5 4wd DB XL	DBXL 1/5 4WD - Set de vis CHC (30)	Set viti a testa cilindrica con esagono incassato (30): 1:5 4wd DB XL
LOS255002	Button Head Screw, Set, (40) 1:5 4wd DB XL	Halbrundsrauben, Set, (40) 1:5 4wd DB XL	DBXL 1/5 4WD - Vis à tête bombée (40)	Set viti a testa tonda (40) 1:5 4wd DB XL
LOS255003	Flat Head Screw, Set, (30): 1:5 4wd DB XL	Senkkopfschraube, Set, (30): 1:5 4wd DB XL	DBXL 1/5 4WD - Vis à tête fraisée (30)	Set viti a testa piatta (30): 1:5 4wd DB XL
LOS255005	Screw, 3x10mm (10): 1:5 4wd DB XL	Schraube, 3x10mm (10): 1:5 4wd DB XL	DBXL 1/5 4WD - Vis 3x10mm (10)	Vite, 3x10 mm (10): 1:5 4wd DB XL
LOS256000	Locknut, Set, (15): 1:5 4wd DB XL	Kontermutter, Set, (15): 1:5 4wd DB XL	DBXL 1/5 4WD - Écrous freins (15)	Set dadi autobloccanti (15): 1:5 4wd DB XL
LOS256001	Washer/Shim, Set, (20): 1:5 4wd DB XL	Unterlegscheibe/Passscheibe, Set, (20): 1:5 4wd DB XL	DBXL 1/5 4WD - Set de rondelles/cales (20)	Set rondelle/distanziatori (20): 1:5 4wd DB XL
LOS256003	Flanged Bushing, Steel, Set (11): 1:5 4wd DB XL	Bundbuchsen, Stahl, Set (11): 1:5 4wd DB XL	DBXL 1/5 4WD - Palier épaulé en inox (11)	Set boccole flangiate, acciaio (11): 1:5 4wd DB XL
LOS256004	Ball, Shock/Link (10): 1:5 4wd DB XL	Kugel, Stoßdämpfer/Bindeglied (10): 1:5 4wd DB XL	DBXL 1/5 4WD - Chape rotules (10)	Uniball, ammortizzatore/attacco (10): 1:5 4wd DB XL
LOS256005	Body Clip, Large (10) & Small (4): 1:5 4wd	Losi 1:5 4WD Karosserieclips Groß (10) und Klein (4)	1/5 4WD - Clip de carrosserie, 10 en grand modèle et 4 en petits modèle	Clip carrozzeria, grandi (10) e piccoli (4): 1:5 4wd
LOS257000	Bearing, 8x19x6mm, (4): 1:5 4wd DB XL	Lager, 8x19x6mm, (4): 1:5 4wd DB XL	DBXL 1/5 4WD - Roulement 8x19x6mm (4)	Cuscinetto, 8x19x6 mm, (4): 1:5 4wd DB XL
LOS257001	Bearing, 10x22x6mm, (4): 1:5 4wd DB XL	Lager, 10x22x6mm, (4): 1:5 4wd DB XL	DBXL 1/5 4WD - Roulement 10x22x6mm (4)	Cuscinetto, 10x22x6 mm, (4): 1:5 4wd DB XL
LOS257002	Bushing, 10x7x4mm, (4): 1:5 4wd DB XL	Buchse, 10x7x4mm, (4): 1:5 4wd DB XL	1/5 4WD - Paliers 10x7x4mm (4)	Boccola, 10x7x4 mm, (4): 1:5 4wd DB XL
LOS45015	Wheel, Black; Beadlock, Silver (2): DBXL-E	Rad, schwarz; Beadlock, silbern (2): DBXL-E	DBXL-E - Jantes noires, Beadlock argentés (2)	Ruota, nero; cerchio, argento (2): DBXL-E
LOS45017	Tire, Creepy Crawler (2): DBXL-E	Reifen, Creepy Crawler (2): DBXL-E	DBXL-E - Pneus Creepy Crawler (2)	Pneumatico, Creepy Crawler (2): DBXL-E
LOS45018	Tire Insert, Molded (2): DBXL-E	Reifeneinlage, gegossen (2): DBXL-E	DBXL-E - Insert pneus, moulés (2)	Inserto pneumatico, stampato (2): DBXL-E
LOS80884	S900S 1/5 Scale Steering Servo w/ Metal Gears 5IVE-T	S900S 1/5 Lenkservo mit Metallgetriebe 5IVE-T	Servo de direction 1/5 S900S, pignons métal	Servo sterzo S900S scala 1:5 con ingranaggi metallici 5IVE-T
LOS85972	OuterAxleBearings, 12x24x6mm(2): 5IVE-T, MINI WRC	Außenachsenlager, 12x24x6mm (2): 5IVE-T, MINI WRC	5IVE-T, MINI WRC - Roulement extérieur fusée 12x24x6mm (2)	Cuscinetti asse esterno, 12x24x6 mm (2): 5IVE-T, MINI WRC
SPM2330	DX2E 2Ch DSMR Surface Radio w/ SR310	DX2E 2Ch DSMR Funkgerät mit SR310	Radio DX2E 2 voies DSMR avec SR310	Radio di superficie DX2E 2 canali DSMR con SR310
SPMSRS4220	SRS4220 DSMR AVC Surface Rx	SRS4220 DSMR AVC Oberflächenempfänger	Récepteur SRS4220 DSMR AVC	Ricevente di superficie SRS4220 DSMR AVC

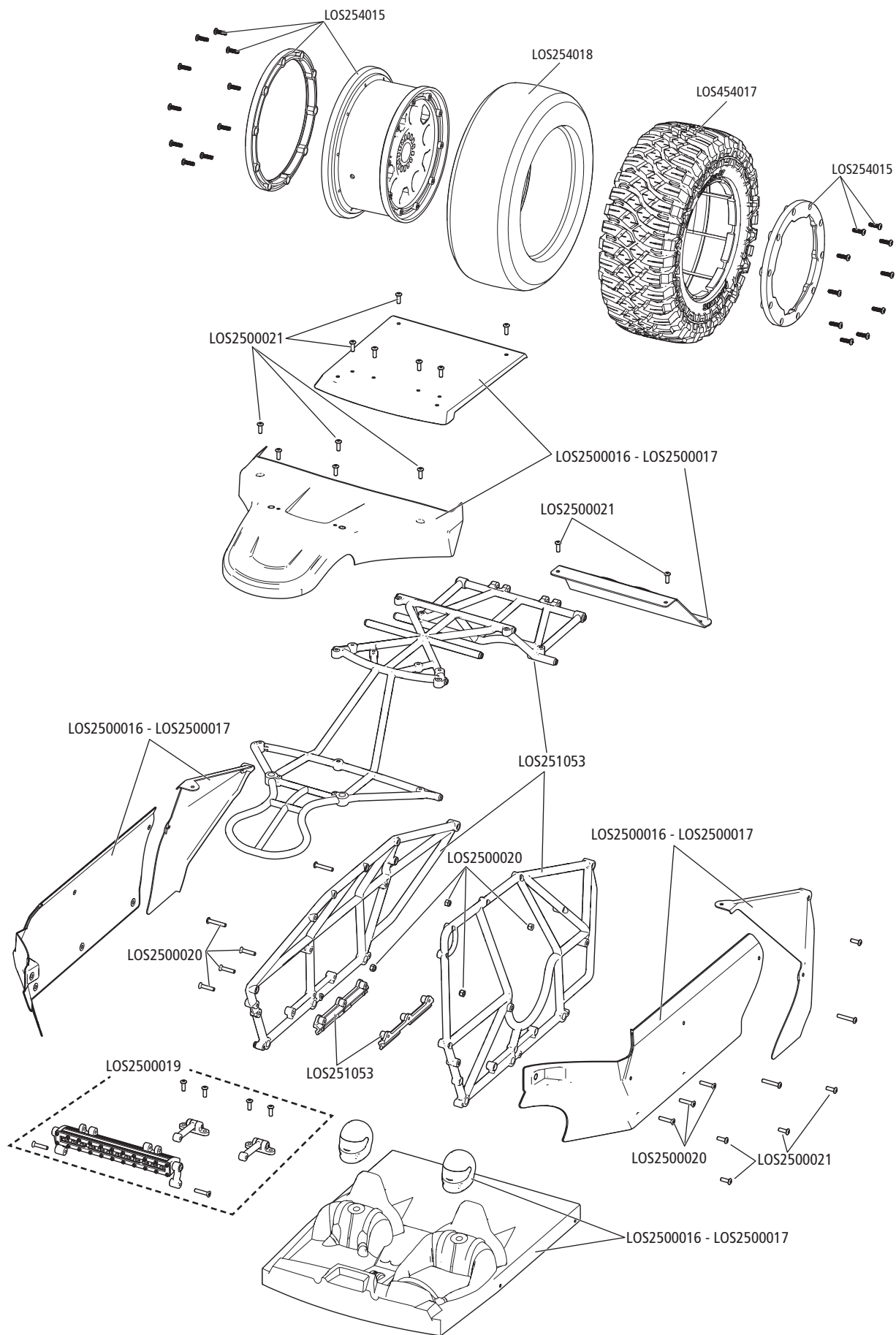
Optional Parts Optionale Bauteile

Pièces optionnelles Pezzi opzionali

Part #	English	Deutsch	Français	Italiano
DYN2650	Silicone Fluid, 1000cs	Silikon Difföl, 1000CS	Huile Silicone, 1000cs	Fluido al silicone, 1000cs
DYN2651	Silicone Fluid, 2000cs	Silikon Difföl, 2000CS	Huile Silicone, 2000cs	Fluido al silicone, 2000cs
DYN2652	Silicone Fluid, 3000cs	Silikon Difföl, 3000CS	Huile Silicone, 3000cs	Fluido al silicone, 3000cs
DYN2653	Silicone Fluid, 5000cs	Silikon Difföl, 5000CS	Huile Silicone, 5000cs	Fluido al silicone, 5000cs
DYN2654	Silicone Fluid, 7000cs	Silikon Difföl, 7000CS	Huile Silicone, 7000cs	Fluido al silicone, 7000cs
DYN2655	Silicone Fluid, 10,000cs	Silikon Difföl, 10000CS	Huile Silicone, 10,000cs	Fluido al silicone, 10000cs
DYN2656	Silicone Fluid, 30,000cs	Silikon Difföl, 10000CS	Huile Silicone, 10,000cs	Fluido al silicone, 10000cs
DYN2657	Silicone Fluid, 50,000cs	Silikon Difföl, 10000CS	Huile Silicone, 10,000cs	Fluido al silicone, 10000cs

Part #	English	Deutsch	Français	Italiano
DYNB3804EC	Reaction 14.8V 5000mAh 4S 50C LiPo, Hardcase: EC5	Reaction 14,8V 5000mAh 4S 50C LiPo, Etui: EC5	Batterie Reaction Li-Po 4S 14,8V 5000mA 50C, boîtier rigide, prise EC5	Batteria LiPo hardcase Reaction 14,8 V 5000 mAh 4S 50C: EC5
DYNB3811EC	Reaction HD 11.1V 5000mAh 3S 50C LiPo,Hardcase:EC5	Reaction HD 11,1V 5000mAh 3S 50C LiPo, Etui: EC5	Batterie Reaction Li-Po HD 3S 11,1V 5000mA 50C, boîtier rigide, prise EC5	Batteria LiPo hardcase Reaction HD 11,1 V 5000 mAh 3S 50C: EC5
DYNB3854EC	Reaction 15.2V 5000mAh 4S 50C LiPo Hardcase: EC5	Reaction 15,2V 5000mAh 4S 50C LiPo Etui: EC5	Batterie Reaction Li-Po HV 4S 15,2V 5000mA 50C, Boîtier rigide: EC5	Batteria LiPo hardcase Reaction 15,2 V 5000 mAh 4S 50C: EC5
DYNB3856EC	Reaction HD 11.4V 5000mAh 3S 50C LiPo,Hardcase:EC5	Reaction HD 11.4V 5000mAh 3S 50C LiPo, Etui:EC5	Batterie Reaction Li-Po HD 3S 11,4V 5000mA 50C, boîtier rigide, prise EC5	Batteria LiPo hardcase Reaction HD 11,4 V 5000 mAh 3S 50C: EC5
DYNC2050	Prophet Sport Quad 4 X 100W AC/DC Charger	Prophet Sport Quad 4 x 100W Wechsel-/Gleichstrom-Ladegerät	Chargeur Prophet Sport Quad 4 X 100W AC/DC - EU	Caricabatteria AC/DC Prophet Sport Quad 4 X 100 W
DYNC3005	Passport Duo 400W Dual AC/DC Touch Charger	Passport Duo 400 W Duales Wechsel-/Gleichstrom-Ladegerät	Chargeur Passport Duo 400W AC/DC, écran tactile - EU	Caricabatteria AC/DC Dual Touch Passport Duo 400 W
DYNC3010	Passport Ultra Force 220W Touch Battery Charger	Passport Ultra Force 220W Touch-Akkuladegerät	Chargeur Passport Ultra force 220W écran tactile, EU	Caricabatteria Touch Passport Ultra Force 220 W
DYNR0111	Aluminum Steering Servo Arm, 15T Spline.	Aluminium-Lenkservohebel, 15T Spline.	Palonnier 15T de servo de direction usiné aluminium	Squadretta servo sterzo alluminio, 15 denti
DYNT1074	DELUXE 1/4" LARGE SCALE TOOL ST W/HANDLE:100/110mm	DELUXE 1/4 ZOLL WERKZEUGSET M. GRIFF FÜR GROSSMODELLE: 100/110mm	Set d'outillage DELUXE pour modèles grande échelle, carré 1/4", avec poignée, 100/110mm	SET ATTREZZI DELUXE 1/4" PER GRANDI MODELLI CON IMPUGNATURA: 100/110 mm
DYNT7000	Large Scale Work Stand: HPI, 5ive-T, MINI WRC, DBXL	Montageständer für Großmodelle: HPI, 5ive-T, MINI WRC, DBXL	HPI, 5ive-T, Mini WRC, DBXL - Support de stand	Supporto da lavoro per grandi modelli: HPI, 5ive-T, MINI WRC, DBXL
LOS254032	Front Spindle Set, Aluminum, Black (2);, DBXL-E, MTXL	Spindelset vorne, Aluminium, schwarz (2); DBXL-E, MTXL	DBXL-E, MTXL - Fusées avant en alu, noires	Set fusello anteriore, alluminio, nero (2);, DBXL-E, MTXL
LOS351000	Servo Saver Bottom, Aluminum: DBXL, DBXL-E, MTXL	Servo-Saver-Unterteil, Aluminium: DBXL, DBXL-E, MTXL	DBXL, DBXL-E, MTXL - Partie inférieure de sauve servo en aluminium	Pulsante salvaservo, alluminio: DBXL, DBXL-E, MTXL
LOS352003	Mechanical Brake Set: Complete: DBXL-E	Set mechanische Bremse: Vollständig: DBXL-E	DBXL-E - Frein mécanique	Set freno meccanico, completo: DBXL-E
LOS354001	Front Spindle Set, Aluminum: DBXL, DBXL-E	Spindelset vorne, Aluminium: DBXL, DBXL-E	DBXL, DBXL-E - Fusées avant en aluminium	Set fusello anteriore, alluminio: DBXL, DBXL-E
LOS354002	Front Spindle Carrier Set, Aluminum: DBXL, DBXL-E, MTXL	Spindelträger-set vorne, Aluminium: DBXL, DBXL-E, MTXL	DBXL, DBXL-E, MTXL - Étriers porte fusées avant en aluminium	Set portafusello anteriore, alluminio: DBXL, DBXL-E, MTXL
LOS354004	Shock Tower, Front, Black, Aluminum: DBXL, DBXL-E, MTXL	Stoßdämpferbrücke, vorne, schwarz, Aluminium: DBXL, DBXL-E, MTXL	DBXL, DBXL-E, MTXL - Supports d'amortisseurs avant noir aluminium	Torretta ammortizzatore, anteriore, nero, alluminio: DBXL, DBXL-E, MTXL
LOS354005	Shock Tower, Rear, Black Aluminum: DBXL, DBXL-E, MTXL	Stoßdämpferbrücke, hinten, schwarz, Aluminium: DBXL, DBXL-E, MTXL	DBXL, DBXL-E, MTXL - Supports d'amortisseurs arrière noir aluminium	Torretta ammortizzatore, posteriore, nero, alluminio: DBXL, DBXL-E, MTXL
LOSA99172	Camber Gauge	Sturzmessgerät	Cale de mesure de carrossage	Strumento regolazione camber
LOSA99173	Ride Height Gauge	Höhenmesser	Cale de mesure de garde au sol	Misuratore di altezza
LOSA99208	Shock O-Ring Grease	Dämpferfett	Graisse pour loints toriques d'amortisseurs	Grasso O-ring ammortizz.
TLR74022	Silicone Shock Oil, 25wt, 4oz	Silikon-Stoßdämpfer-Öl, 25wt, 4oz	Huile silicone d'amortisseur, 25wt, 120 ml	Olio silconico ammortizzatore, 25 wt, 4 oz
TLR74023	Silicone Shock Oil, 30wt, 4oz	Silikon-Stoßdämpfer-Öl, 30wt, 4oz	Huile silicone d'amortisseur, 30wt, 120 ml	Olio silconico ammortizzatore, 30 wt, 4 oz
SPM4210W	DX4C DSMR 4CH AVC Tx w/SRS4210	DX4C DSMR 4CH AVC Tx m. SRS4210	Émetteur DX4C 4 voies DSMR AVC avec SRS4210	Trasmittente DX4C DSMR 4 canali AVC con SRS4210
SPM6400	DX6R 6-Channel DSMR Smart Radio System WiFi/BT	DX6R 6-Kanal intelligentes DSMR-Funksystem WiFi/BT	Émetteur DX6R 6 voies avec connexion Wifi/Bluetooth	Radiocomando Smart DX6R 6 canali DSMR WiFi/BT
SPMSS9010	S9010 1/5th Scale Digital Hi Speed HV Surface Servo	S9010 1/5 HV Hochgeschwindigkeits-Digitalservo Surface	Servo digital S9010 pour voiture 1/5	Servo di superficie digitale S9010 alta velocità scala 1:5
SPMSS9020	S9020 15th Scale Digital Hi Torque HV Surface Servo	S9020 1/5 HV Hi-Torque-Digitalservo Surface	Servo digital S9020 pour voiture 1/5, pignons métal	Servo di superficie digitale S9020 alta velocità scala 1:5 high torque
TLR74024	Silicone Shock Oil, 35wt, 4oz	Silikon-Stoßdämpfer-Öl, 35wt, 4oz	Huile silicone d'amortisseur, 35wt, 120 ml	Olio silconico ammortizzatore, 35 wt, 4 oz
TLR74025	Silicone Shock Oil, 40wt, 4oz	Silikon-Stoßdämpfer-Öl, 40wt, 4oz	Huile silicone d'amortisseur, 40wt, 120 ml	Olio silconico ammortizzatore, 40 wt, 4 oz
TLR74026	Silicone Shock Oil, 45wt, 4oz	Silikon-Stoßdämpfer-Öl, 45wt, 4oz	Huile silicone d'amortisseur, 45wt, 120 ml	Olio silconico ammortizzatore, 45 wt, 4 oz
TLR74027	Silicone Shock Oil, 50wt, 4oz	Silikon-Stoßdämpfer-Öl, 50wt, 4oz	Huile silicone d'amortisseur, 50wt, 120 ml	Olio silconico ammortizzatore, 50 wt, 4 oz
TLR76004	TLR Lok, Threadlock, Blue	TLR Lok, Schraubensicherung, blau	Frein filet TLR Lok, bleu	Frenafiletto TLR Lok, Blue





DESERT BUGGY XL-E™

1/5-SCALE READY-TO-RUN



Setup Sheet-Stock

Name: _____		Date: _____		Event: _____					
City: _____		State: _____		Track: _____					
Track Conditions	<input type="checkbox"/> Indoor <input type="checkbox"/> Outdoor	<input type="checkbox"/> Tight <input type="checkbox"/> Open	<input type="checkbox"/> Smooth <input type="checkbox"/> Rough	<input type="checkbox"/> Hard Packed <input type="checkbox"/> Loose/Loamy	<input type="checkbox"/> Blue Groove <input type="checkbox"/> Dry	<input type="checkbox"/> Wet <input type="checkbox"/> Dusty	<input type="checkbox"/> Grass <input type="checkbox"/> Astro Turf	<input type="checkbox"/> Low Bite <input type="checkbox"/> Med Bite	<input type="checkbox"/> High Bite <input type="checkbox"/> Other _____

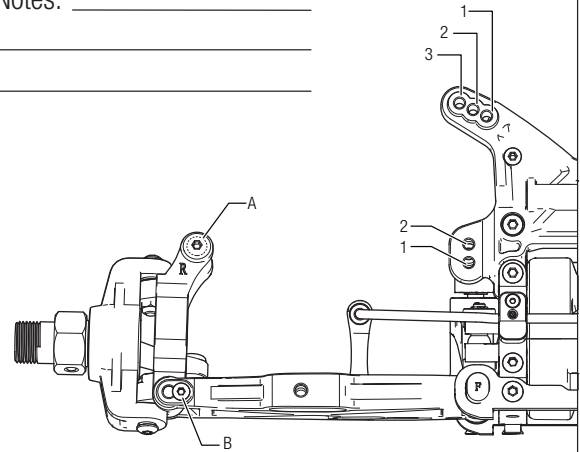
Front Suspension

Toe: _____ *Out -1°* Spring: _____ *Black*
 Ride Height: _____ *Arms Level* Overall Shock Length: _____ *156mm*
 Camber: _____ *-1°* Camber Link: _____ *#1*
 Caster: _____ *Stock* Shock Location: _____ *#2-Inside*
 Sway Bar: _____ *4mm*
 Piston/Oil: _____ *2.0mm/40wt*

Differentials

Front	Center	Rear
Diff Fluid: _____	Diff Fluid: _____	Diff Fluid: _____
<i>30,000 cs</i>	<i>50,000 cs</i>	<i>30,000 cs</i>

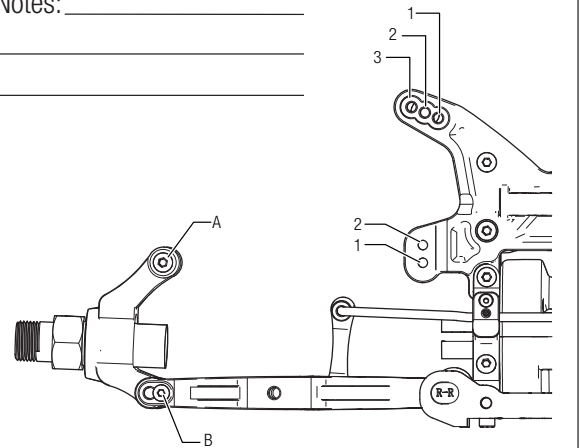
Notes: _____



Rear Suspension

Toe: _____ *3°* Piston/Oil: _____ *3.5mm/3000 wt*
 Anti-Squat: _____ *2°* Spring: _____ *Black*
 Ride Height: _____ *Arms Level* Overall Shock Length: _____ *161mm*
 Camber: _____ *-1°* Camber Link: _____ *#1*
 Sway Bar: _____ *4mm* Shock Location _____ *#2-Inside*

Notes: _____



Tires

	Type	Compound	Insert
Front:	<i>Stock</i>	<i>Stock</i>	<i>Stock</i>
Rear:	<i>Stock</i>	<i>Stock</i>	<i>Stock</i>
Notes:	_____		

Electronics

Radio: _____ <i>DX2E</i>	Pinion: _____ <i>13t</i>
Servo: _____ <i>Losi S900S</i>	Spur: _____ <i>50t</i>
ESC: _____ <i>Fuze 160A</i>	Battery: _____ <i>14.8V 5000mAh 4S 50C (2)</i>
Motor: _____ <i>800kv</i>	

DESERT BUGGY XL-E™

1/5-SCALE READY-TO-RUN

Setup Sheet



Name: _____		Date: _____		Event: _____					
City: _____		State: _____		Track: _____					
Track Conditions	<input type="checkbox"/> Indoor <input type="checkbox"/> Outdoor	<input type="checkbox"/> Tight <input type="checkbox"/> Open	<input type="checkbox"/> Smooth <input type="checkbox"/> Rough	<input type="checkbox"/> Hard Packed <input type="checkbox"/> Loose/Loamy	<input type="checkbox"/> Blue Groove <input type="checkbox"/> Dry	<input type="checkbox"/> Wet <input type="checkbox"/> Dusty	<input type="checkbox"/> Grass <input type="checkbox"/> Astro Turf	<input type="checkbox"/> Low Bite <input type="checkbox"/> Med Bite	<input type="checkbox"/> High Bite <input type="checkbox"/> Other _____

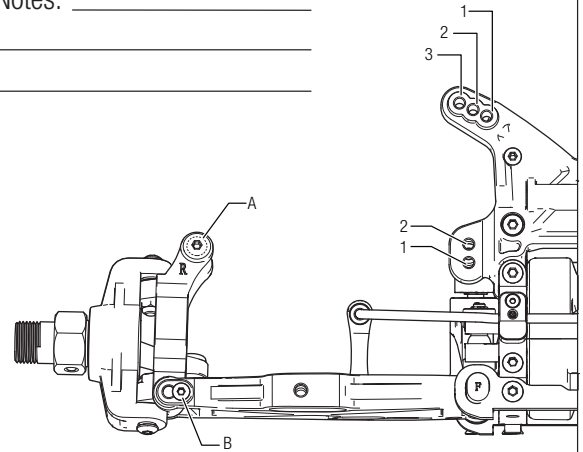
Front Suspension

Toe: _____ Spring: _____
 Ride Height: _____ Overall Shock Length: _____
 Camber: _____ Camber Link: _____
 Caster: _____ Shock Location: _____
 Sway Bar: _____
 Piston/Oil: _____

Differentials

Front	Center	Rear
Diff Fluid: _____	Diff Fluid: _____	Diff Fluid: _____

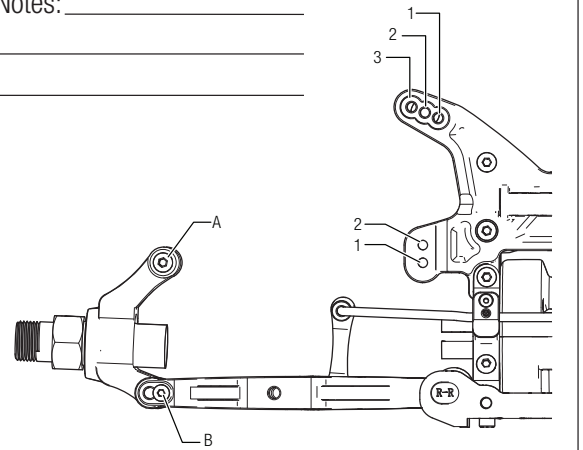
Notes: _____



Rear Suspension

Toe: _____ Piston/Oil: _____
 Anti-Squat: _____ Spring: _____
 Ride Height: _____ Overall Shock Length: _____
 Camber: _____ Camber Link: _____
 Sway Bar: _____ Shock Location _____

Notes: _____



Tires

	Type	Compound	Insert
Front:	_____	_____	_____
Rear:	_____	_____	_____
Notes:	_____		

Electronics

Radio: _____ Pinion: _____
 Servo: _____ Spur: _____
 ESC: _____ Battery: _____
 Motor: _____



Horizon Hobby, LLC
4105 Fieldstone Road,
Champaign, IL 61822 USA

Horizon Hobby GmbH
Hanskampring 9
D 22885 Barsbüttel, Germany



LOS05012T1 // LOS05012T2

53660

©2017 Horizon Hobby, LLC

Losi, Desert Buggy XL, DSMR, DSM2, DSM, AVC, Active Vehicle Control, EC5, Dynamite, Fuze, Prophet, Passport, Reaction, TLR-Lok and the Horizon Hobby logo are trademarks or registered trademarks of Horizon Hobby, LLC.

The Spektrum trademark is used with permission of Bachmann Industries, Inc. US 9,320,977. Other patents pending.

Created 02/17