

Name: _____

Date: _____ Event: _____



City: _____ State: _____

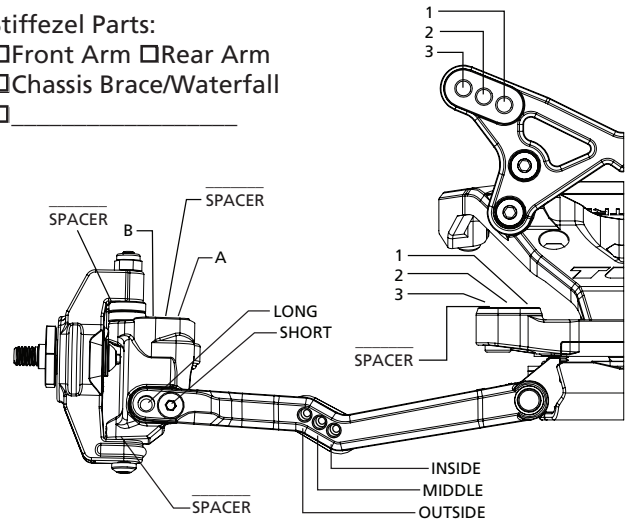
Track: _____

Track Dirt Carpet Tight Smooth Hard Packed Dry Grip Level: Low Medium High
Conditions: Clay Astro Turf Open Rough Loamy Wet Tread Level: Pin Ghost Pin Slicks

Front Suspension

Toe: _____ Camber: _____
Ride Height: _____ Caster Block: 0° 5°
Kick Shim(s): 2mm 1mm Wedge(20°) Other: _____
VLA Setting: Short Arm Long Arm
Front Pivot: Alum Composite Brass _____
Pivot Height: SLRC LRC MRC HRC
Piston: _____ Oil: _____
Limiters: Internal: _____ External: _____ Stroke: _____
Shock Eyelet: Std. +2 Shock Location: _____
Spring: _____ Sway Bar: _____
Spindle Steering Arm: 4 5 6 _____
Spindle Ball Stud: Standard Low Spacers: _____
Draglink Ball Stud: Standard Low Spacers: _____
Axle Spacing: 0 +.5mm +1mm
Trail: 2mm 3mm 4mm
Camber Link, Inner: 1 2 3 Outer: A B
Tower: Stiffezel Carbon Carbon +2mm _____
Mud Guard: Soft Standard Stiffezel
Front Wheels: Standard Stiffezel
Front Wing: Low High Narrow High Wide

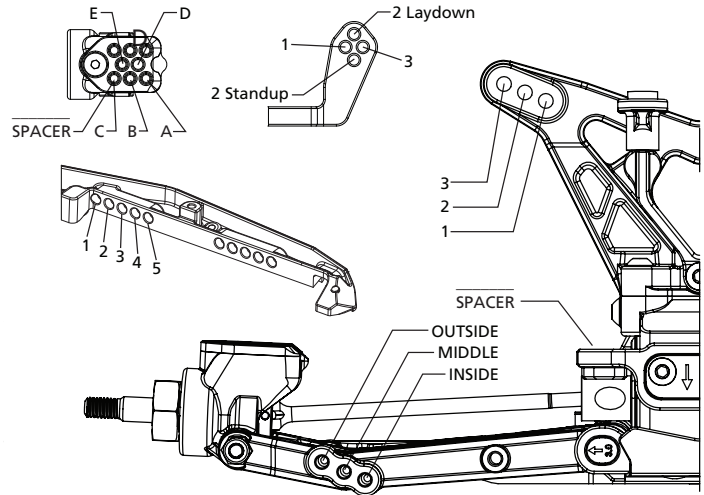
Stiffezel Parts:
Front Arm Rear Arm
Chassis Brace/Waterfall



Notes: _____

Rear Suspension

Configuration: Laydown Standup
Diff. Height: 0 +1 +1.75 + 2.5 +3.5
Axle Height: 0 +3 _____
Toe Plate: LRC LRC -2° HRC HRC -2°
Toe Inserts: 2.5 3.0 3.5 4.0 Arrow: In Out
Anti-Squat Inserts: 0 0.5 1 1.5 2 2.5 3
Ride Height: _____ Camber: _____
Hub Spacing: _____ Fr _____ Rr Hex Width: _____
Piston: _____ Oil: _____
Spring: _____ Sway Bar: _____
Limiters: Internal: _____ External: _____ Stroke: _____
Shock Eyelet: Std. +2 Shock Location: _____
Shock Mounting: Front Rear
Tower: Stiffezel Carbon Carbon +2mm _____
Camber Block Spacer: 1mm ↓ 0mm 1mm ↑
Camber Link, Inner: 1 2 3
Camber Link, Outer: A B C D E
Battery Position: 1 2 3 4 5 _____
Wing/Wickerbill: _____
Wing Angle: 0° 2° 4°
Diff Type: Ball Gear Setting: _____
Driveshaft Length: CVA Universal Length: _____
Direct Drive Slipper Pads: Torque (yel) Drive (org)



Electronics

Radio: _____ Timing Advance: _____
Servo: _____ Steering Expo: _____
ESC: _____ Throttle/Brake EPA: _____
Initial Brake: _____ Motor: _____
Drag Brake: _____ Pinion: _____ Spur: _____
Throttle Profile: _____ Battery: _____
Battery Weight: _____

Tires

	Front	Rear
Thread:	_____	_____
Compound:	_____	_____
Insert:	_____	_____
Sauce:	_____	_____
Notes:	_____ _____ _____ _____	

Chassis

