

INSTRUCTION MANUAL
AX90053-1001



BUILDER'S KIT

RR10 BOMBER

1/10th SCALE ELECTRIC 4WD - KIT


ROCK RACER SERIES



 **axial**
www.axialracing.com



CAUTIONS

 **To prevent serious personal injury and/or property damage, operate all remotely controlled models in a responsible manner as outlined herein.**

CHOOSE THE RIGHT PLACE TO OPERATE YOUR R/C MODEL.

- Do not run on public streets or highways. This could cause serious accidents, personal injuries, and/or property damage.
- Never run R/C models near people or animals.
- To avoid injury, do not run in confined spaces.
- Do not run where loud noises can disturb others, such as hospitals and residential areas.
- Never run indoors. There is a high risk of fire and/or damage.


INSPECT YOUR MODEL BEFORE OPERATION.

- Make sure that all screws and nuts are properly tightened. It is also a good idea to use removable thread lock wherever metal screws go into metal, especially for engine mounts and the engine pilot shaft.
- Always use fresh batteries for your transmitter and for your receiver to avoid losing control of the model.
- Always test the brakes and throttle before starting your engine to avoid losing control of the model.
- Make sure no one else is using the same radio frequency as you are using.

AFTER OPERATION OF YOUR R/C MODEL

- Disconnect the battery from the ESC, then turn off the transmitter. This will prevent runaways.
- Be careful when handling batteries, they will be hot after running.
- Replace any batteries that have been dented or have frayed wires, short circuits can cause fire.
- Be sure to keep your R/C model clean and free of excess dirt and grease, this will increase the life.

VORSICHT!

 **Um Verletzungen an Personen und/oder Sachschäden zu vermeiden, sollten alle ferngesteuerten Modelle sorgfältig und verantwortungsbewusst bedient werden, wie nachfolgend beschrieben.**

Wählen Sie den richtigen Platz zum Fahren

- Fahren Sie niemals auf öffentlichen Straßen. Dies könnte Verkehrsunfälle, Personen schäden oder Sachschäden verursachen.
- Fahren Sie niemals in der Nähe von anderen Personen oder Tieren.
- Fahren Sie niemals auf belebten Straßen.
- Fahren Sie nie in der Nähe von Wohnhäusern oder Krankenhäusern. Der Lärm könnte andere Personen stören.
- Fahren Sie niemals in Innenräumen. Dort könnte etwas beschädigt werden.


Überprüfen Sie Ihr Modell, bevor Sie es in Betrieb nehmen.

- Gehen Sie sicher, dass alle Schrauben und Muttern festgezogen sind. Verwenden Sie überall dort Schrauben-Sicherungslock, wo Metallschrauben in ein Metallgewinde greifen, besonders bei den Motorhaltern.
- Um Störungen zu vermeiden, benutzen Sie immer voll geladene Akkus in Ihrem Sender und Empfänger.
- Bevor Sie den Motor starten, sollten Sie immer die Funktion der Bremse und des Gashebels testen.
- Gehen Sie sicher, dass niemand mit der gleichen Frequenz fährt wie Sie.

Nach Betrieb des RC Modells:

- Zuerst den Empfänger abdrehen, dann den Sender abdrehen um unkontrolliertes Durchgehen zu vermeiden.
- Seien Sie vorsichtig mit gebrauchten Akkus, sie können nach dem Gebrauch heiß sein.
- Ersetzen Sie Akkus/Batterien die beschädigt sind oder schadhafte Kabel aufweisen, sie können Kurzschlüsse oder Feuer verursachen.
- Halten Sie Ihr Fahrzeug sauber und entfernen Sie Schmutz und Schmierfett, damit erhöhen Sie die Lebensdauer Ihres Modells.

PRECAUTIONS

 **Afin d'éviter toutes blessures corporelles et/ou dommages environnants, veuillez procéder en toute responsabilité comme indiqué ci-dessous**

Choisir le lieu adéquat pour faire rouler votre modèle.

- Ne jamais rouler dans les rues ou sur les routes ouvertes au public. Ceci peut provoquer de graves accidents.
- Ne jamais rouler près de personnes ou d'animaux.
- Pour éviter les blessures, ne pas rouler dans des espaces confinés.
- Ne jamais rouler où le bruit peut déranger, comme aux abords des hôpitaux ou des quartiers résidentiels.
- Ne jamais rouler à l'intérieur: les gaz d'échappement sont nocifs.

Controler votre modèle avant chaque utilisation.

- Vérifier que les vis et les écrous sont bien serrés. Il est très fortement conseillé d'utiliser du frein filet pour bloquer les vis qui sont en contact avec du métal et tout particulièrement les vis du moteur.
- Toujours utiliser des batteries bien chargées pour l'émission et la réception.
- Toujours vérifier les freins et la commande des gaz avant de démarrer.
- Vérifier qu'aucune autre personne n'utilise votre fréquence radio.

Après l'Opération De Votre Modèle de R/C

- Le virage du récepteur premier, alors virage de l'émetteur, ceci empêchera des fugitifs.
- Faire attention en contrôlant des piles, ils auront chaud après avoir couru.
- Remplacer n'importe quelles piles qui ont été cabossées ou a éraillé des fils, les court-circuits peuvent causer le feu.
- Etre sûr de garder votre modèle de R/C nettoie et libère de terre et la graisse supplémentaires, ceci augmentera la vie.

Radio Gear / Fernsteueranlage / Equipement Radio

Radio control system

• You will need a 2-Channel radio system with one servo, receiver, an electronic speed control with an ON/OFF switch.

Fernsteueranlage

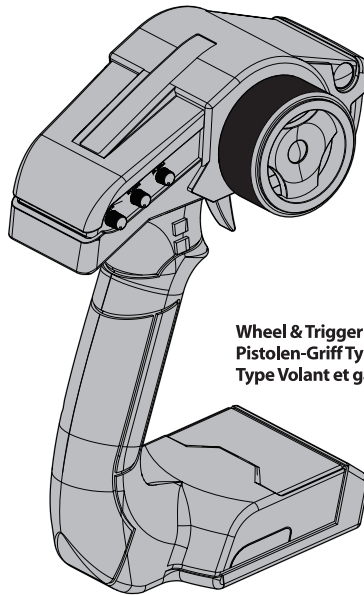
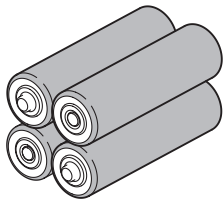
• Sie werden ein 2-Kanal Radio System mit einem Servo, Empfänger, eine elektronische Geschwindigkeitssteuerung mit einem Netzschalter brauchen.

Ensemble radiocommande

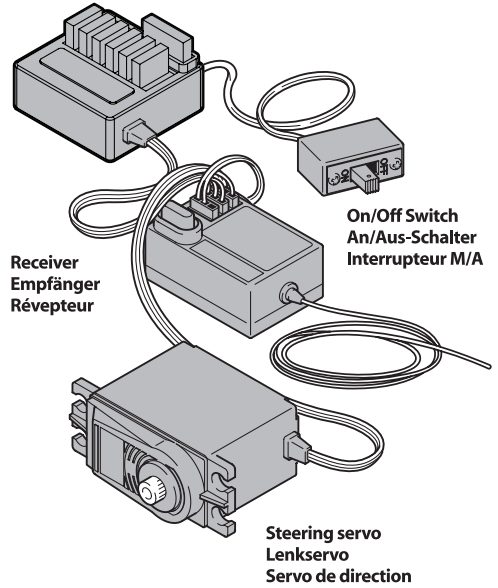
• Vous aurez besoin d'un système de radio de 2 Chaines avec un servo, le récepteur, un contrôle de vitesse électronique avec un interrupteur(on-off).

- 4AA Alkaline Dry Batteries.
- 4 St. AA Trockenbatterien.
- 4 piles type R6 pour votre radio commande.

4x



Wheel & Trigger Type
Pistolen-Griff Typ
Type Volant et gachette

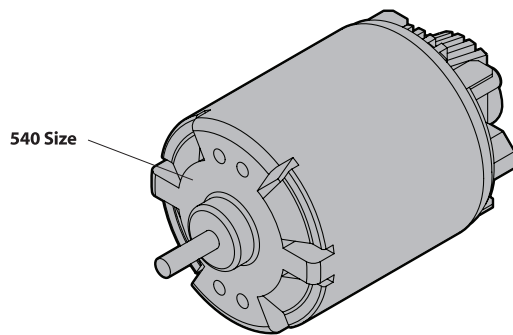


Receiver
Empfänger
Récepteur

On/Off Switch
An/Aus-Schalter
Interrupteur M/A

Steering servo
Lenkservo
Servo de direction

Motor / Motoren / Moteur



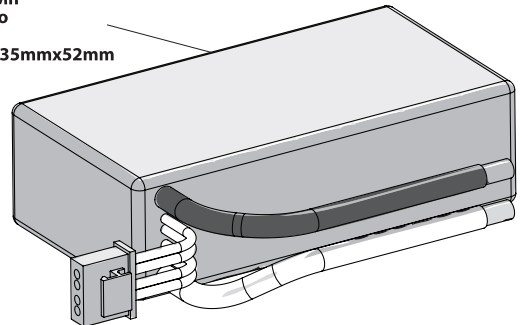
540 Size

Battery / Akku / Batterie

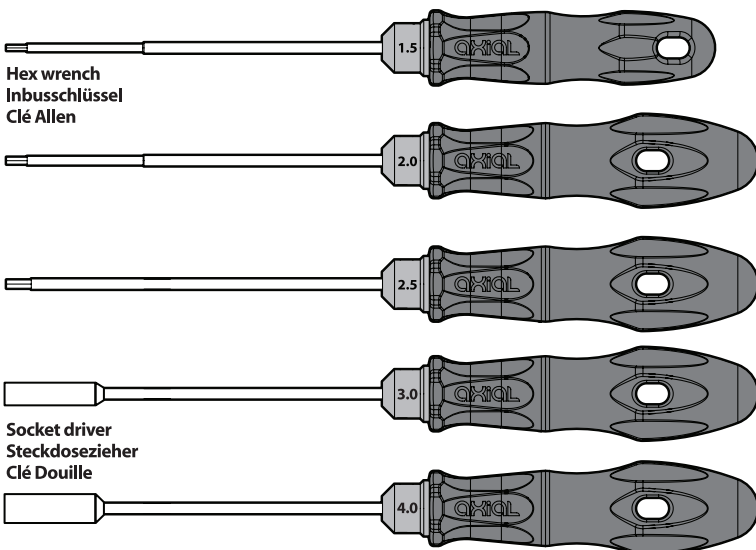
Battery / Akku / Batterie

Recommended Battery:
Standard 6-cell NiMh
Standard 2S-3SLipo

Max Size: 149mmx35mmx52mm

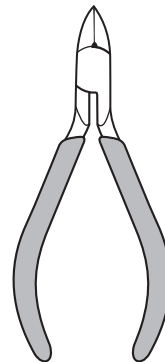


Tools Recommended / Benötigte Werkzeuge / Outillage

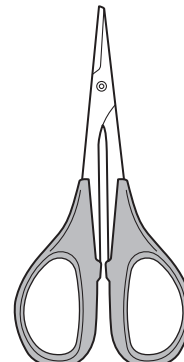


Hex wrench
Inbusschlüssel
Clé Allen

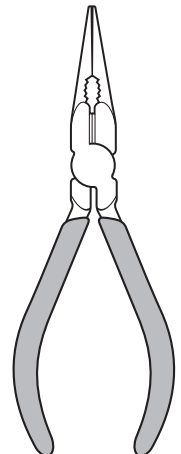
Socket driver
Steckdosezieher
Clé Douille



Side cutter
Seitenschneider
Pincès coupantes

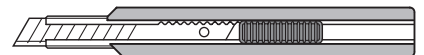


Curved scissors
Schere
Ciseaux

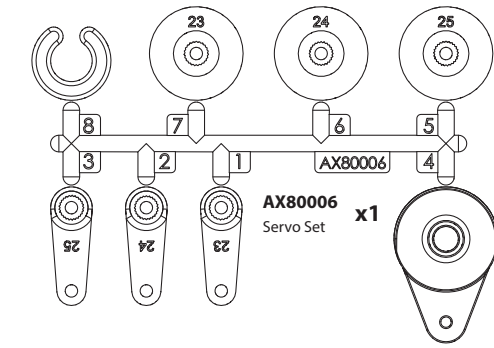


Long nose pliers
Flachzange
Pincès à becs longs

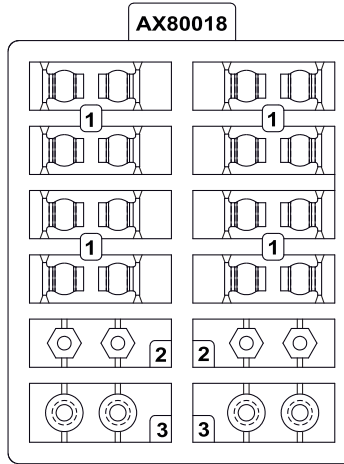
Modeling knife
Modelliermesser
Couteau de modéliste



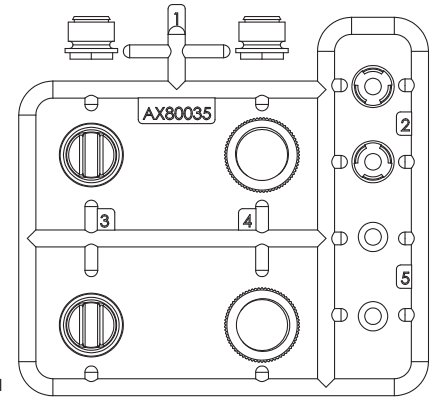
Parts Reference / Übersicht aller Teile / Référence des pièces



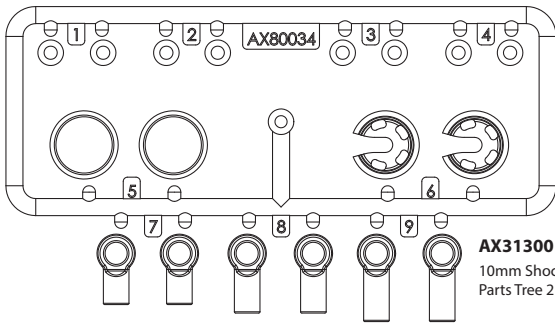
AX80006
Servo Set **x1**



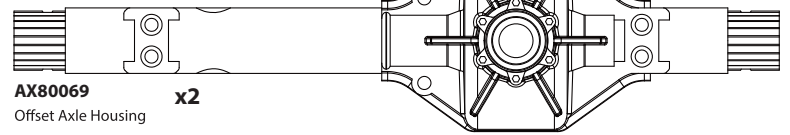
AX80018
Hardware
Parts Tree **x3**



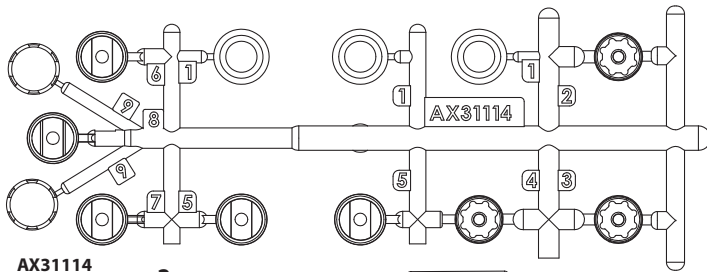
AX80035
AX31301
10mm Shock Caps
Parts Tree (Blue) **x2**



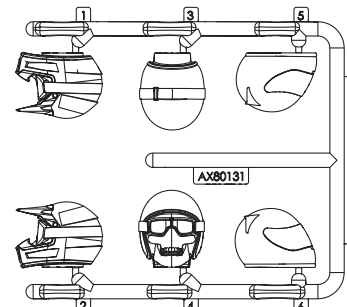
AX80034
AX31300
10mm Shock
Parts Tree 2 (Blue) **x2**



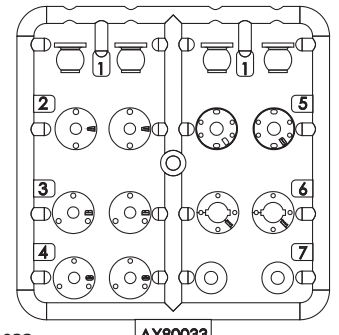
AX80069
Offset Axle Housing **x2**



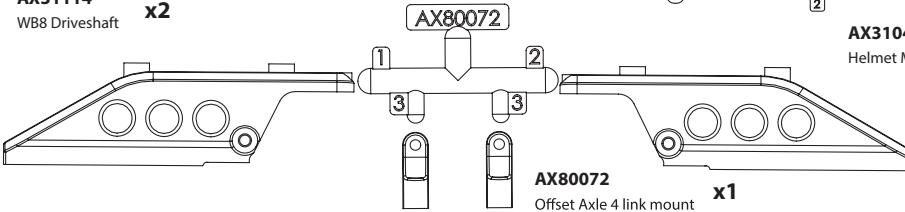
AX31114
W88 Driveshaft **x2**



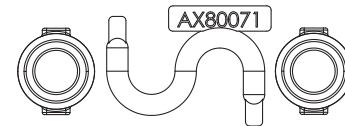
AX31049
Helmet Mold (Black) **x2**



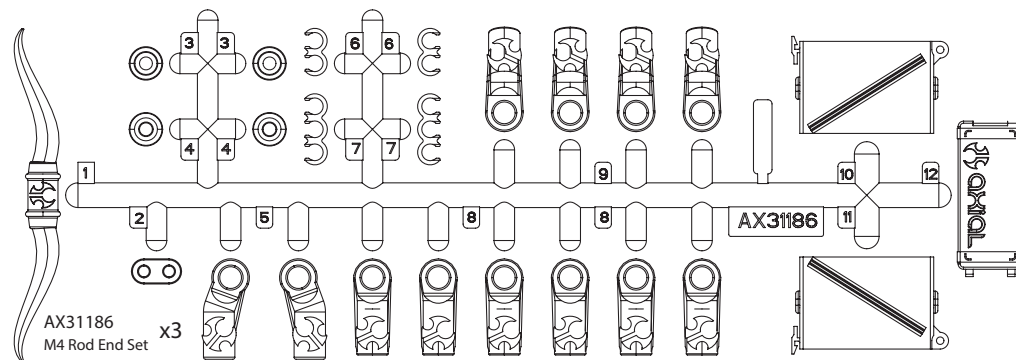
AX80033
10mm Shock Set 1 **x1**



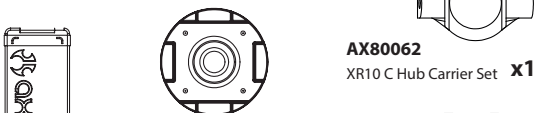
AX80072
Offset Axle 4 link mount **x1**



AX80071
Straight Axle Adapter Rear **x1**

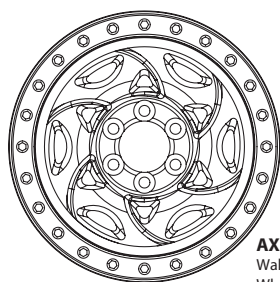


AX31186
M4 Rod End Set **x3**

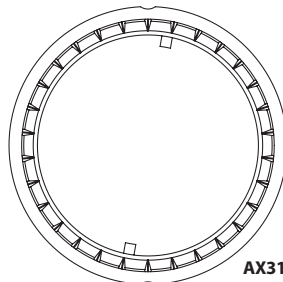


AX80062
XR10 C Hub Carrier Set **x1**

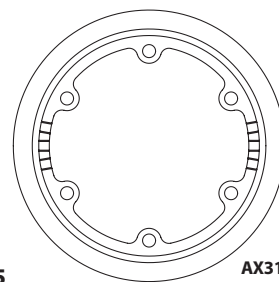
AX80002
Diff Case -Small **x2**



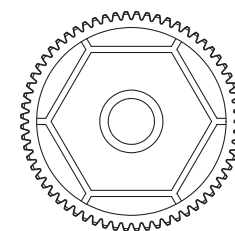
AX31118
Walker Evans
Wheel face **x5**



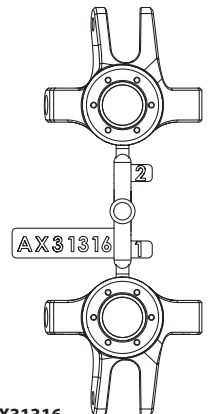
AX31118
Inner Ring **x5**



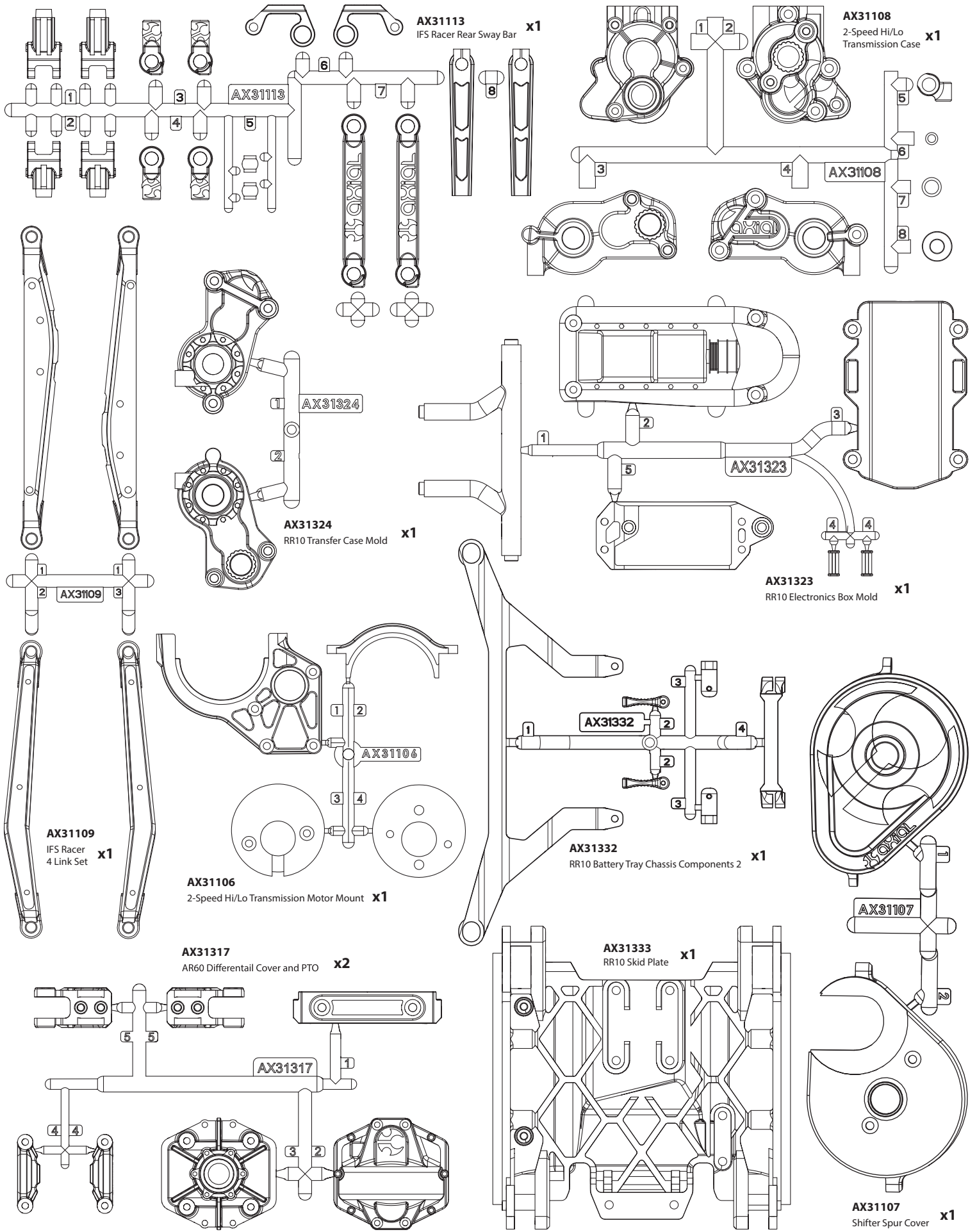
AX31118
Back Half Beadlock **x5**

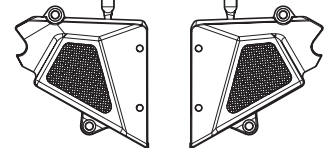
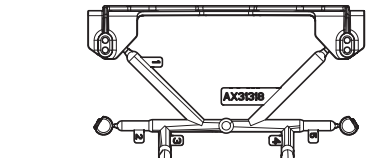
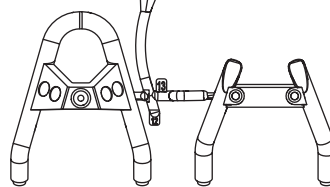
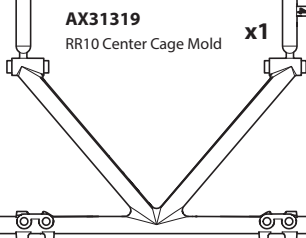
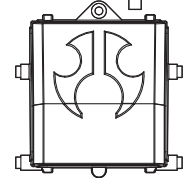
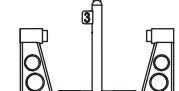
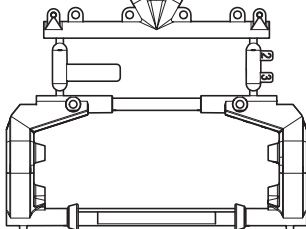
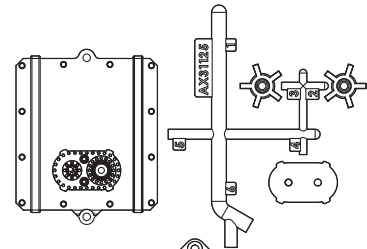
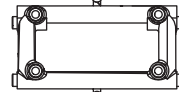
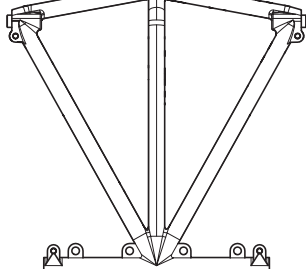
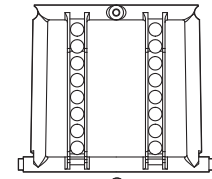
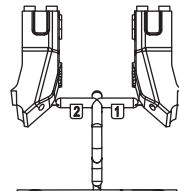
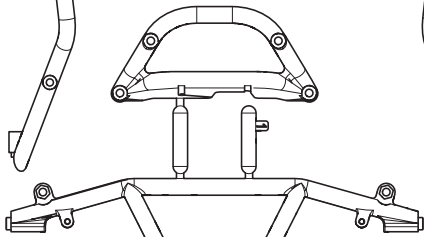
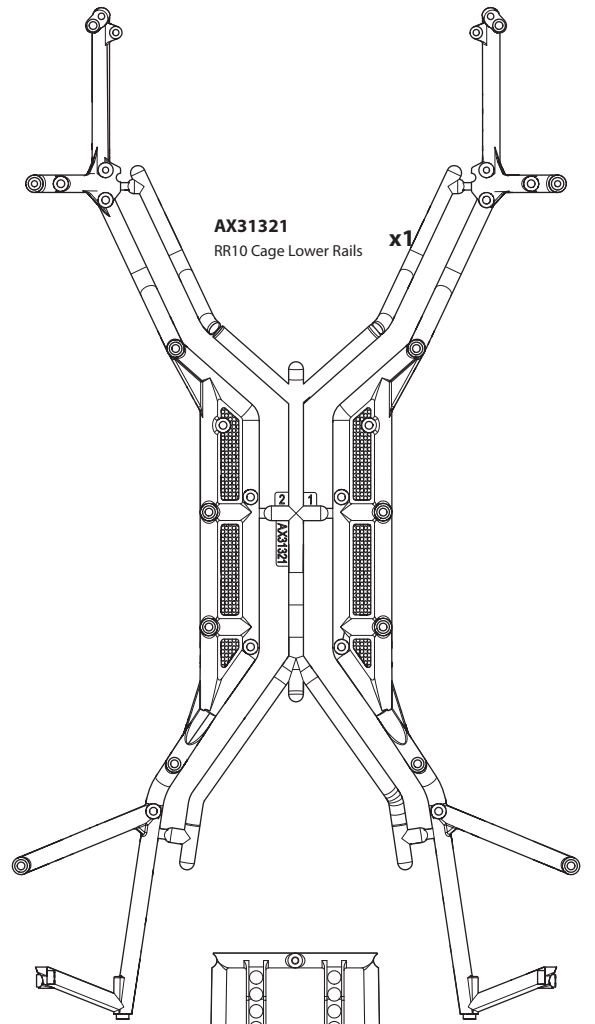
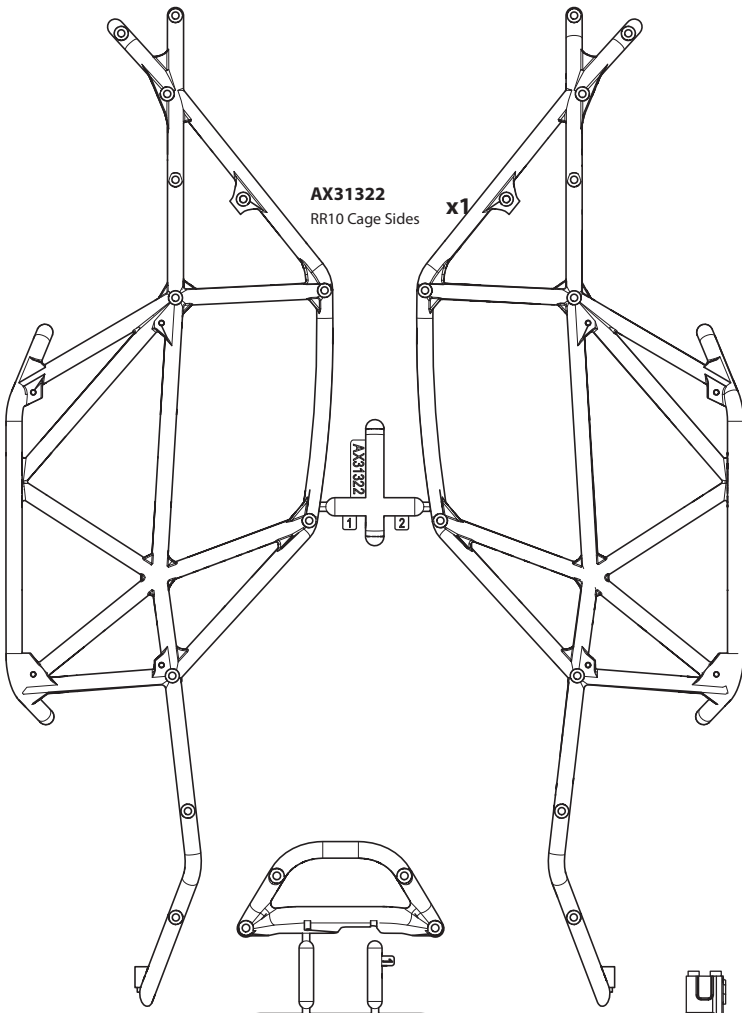


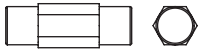
AX31065
Spur Gear 32P 64T **x1**



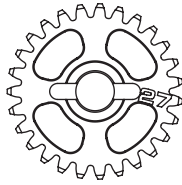
AX31316
AR60 Dual Shear
Steering Knuckle Set **x1**







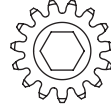
AX31131
T-Case Gear Set **x1**



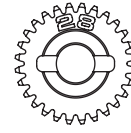
AX31131
T-Case Gear Set **x1**



A X31131
T-Case Gear Set **x1**



AX31131
T-Case Gear Set **x1**



AX31130
28T 48P 2 Speed Gear
(High Speed Option) **x1**



AX31130
26T 48P 2 Speed Gear **x1**



AX30113
Rubber Bump Stop 3.6x7x4 **x4**



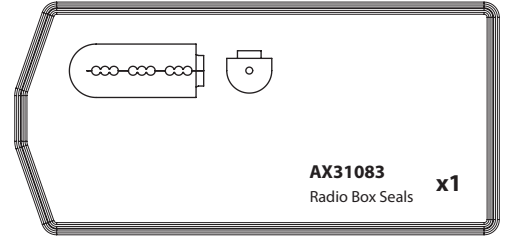
AX30413
Slipper spring **x1**



AX31148
WB8-HD Joint Male Universal **x4**



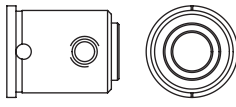
AX30463
4.5x6.5mm Join Pin **x4**



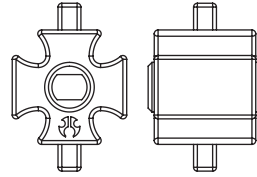
AX31083
Radio Box Seals **x1**



AX30112
Shock Diaphragm 13x4.5mm **x4**



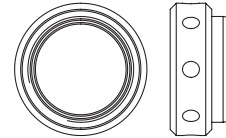
AX31148
WB8-HD Joint 10X15mm **x4**



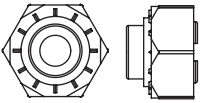
AX30500
Heavy Duty Locker **x2**



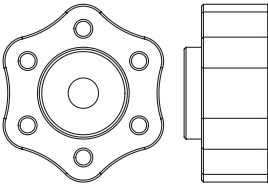
AX31430
King Shock Cap **x4**



AX31430
King Preload Collar **x4**



AX30429
12mm Aluminum Hub **x4**



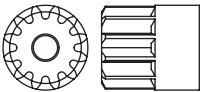
AX31266
Narrow Hub **x4**



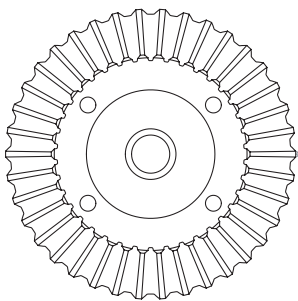
AX30438
Axial Delrin 10mm
Machined Piston-1.2 **x4**



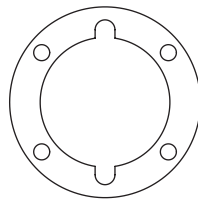
AX31314
Aluminum Shock Body 12x47.5mm **x4**



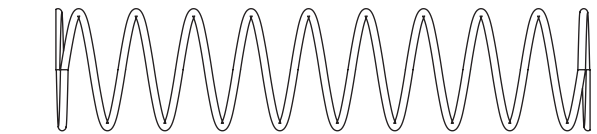
AX30723
Pinion 32DP 12T **x1**



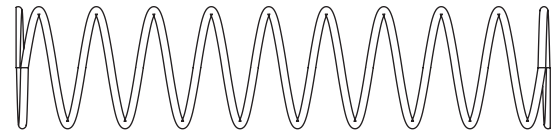
AX30395
Heavy Duty Bevel Gear - 38T **x2**



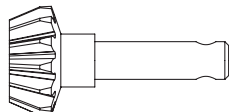
AX30385
Diff Gasket 16x25x0.5mm **x2**



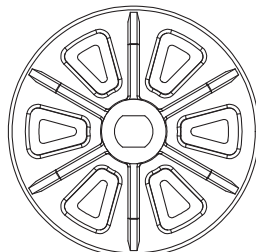
AX31315
Spring 14x70mm 1.43 lbs/in - Purple (2pcs) (Blue Springs) **x2**



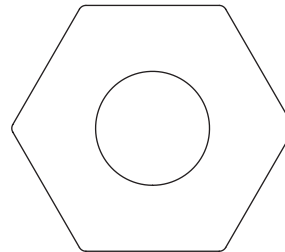
AX31336
Spring 14x70mm 3.27 lbs/in - Yellow (2pcs) (Blue Springs) **x2**



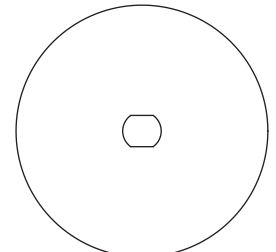
AX30395
Heavy Duty Bevel Gear - 13T **x2**



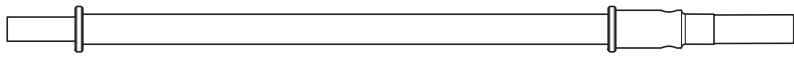
AX31067
Slipper Plate **x1**



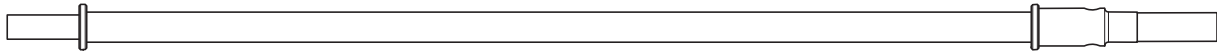
AX31068
Slipper Pad **x2**



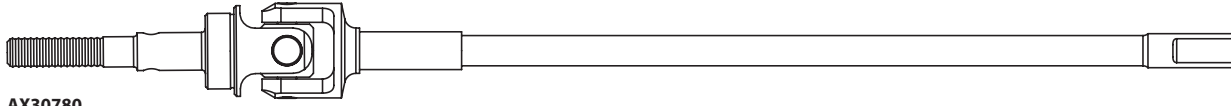
AX31059
Slipper Plate **x2**



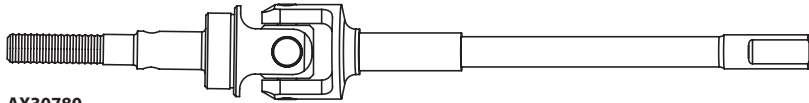
AX30776
Straight Axle Shaft 6x104.2mm **x1**



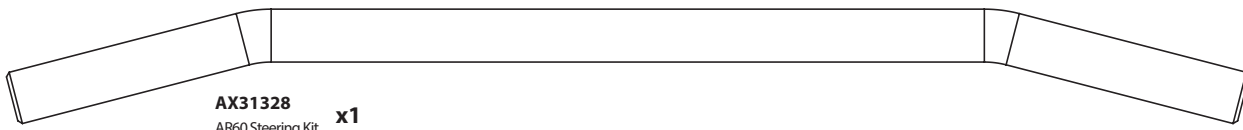
AX30776
Straight Axle Shaft 6x160.2mm **x1**



AX30780
Axle Shaft Long **x1**



AX30780
Axle Shaft Short **x1**



AX31328
AR60 Steering Kit **x1**



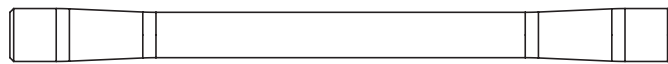
AX31328
AR60 Steering Kit **x1**



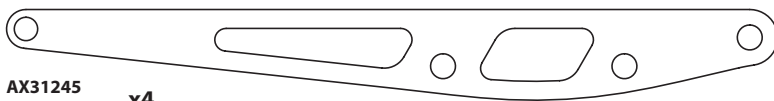
AX31340
7x83.5mm M4 Bent Link **x2**



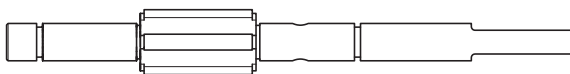
AX31340
7x101mm M4 Bent Link **x2**



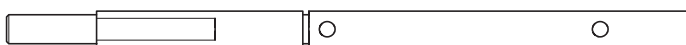
AX31341
7x87.5mm M4 Bent Link **x2**



AX31245
Lower Link Plate **x4**



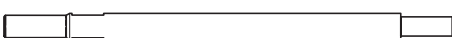
AX31129
2-Speed Hi/Lo Transmission Bottom Shaft **x1**
5x75mm



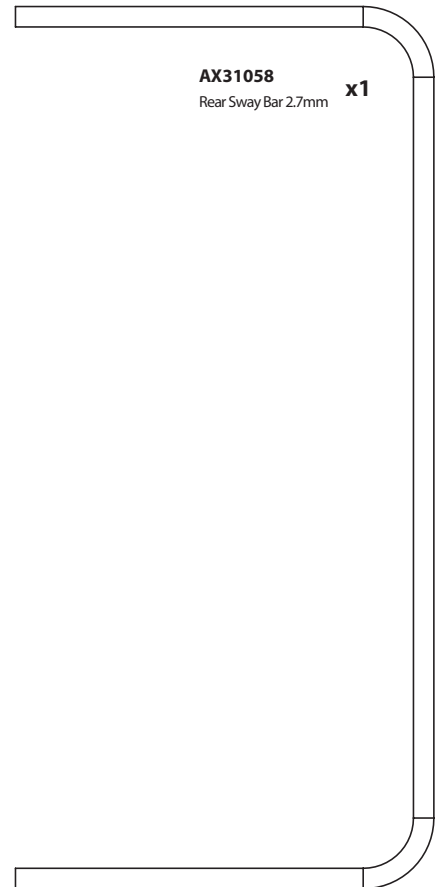
AX31127
2-Speed Hi/Lo Transmission Top Shaft **x1**
5x91mm



AX31313
Transfer Case Output Shaft 5x68mm **x1**




AX30155
Shock Shaft 3x59.5 **x4**



AX31058
Rear Sway Bar 2.7mm **x1**

 **AX31028** x8
Pin 2x11

 **AX30163** x3
Pin 2x10

 **AXA1391** x3
E4 e-clip


 **AX31250** x4
M4 Nylon Locking Nut

 **AXA1045** x1
M4 Nylon Lock Nut


 **AXA1041** x4
M2.5 Thin Nylon Lock Nut

 **AXA1052** x11
M3 Thin Nylon Locking Nut


 **AXA1053** x4
M3 Nylon Locking Nut


 **AX30450** x4
Flange Pipe 3x4.5x5.5

 **AXA1069** x8
Washer 2.7x6.7x0.5 mm


 **AXA1070** x1
Washer 3x6x0.5mm

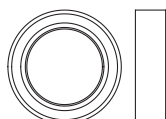
 **AXA1071** x2
Washer 4x8x0.5mm

 **AXA1202** x8
O-Ring 3.5x2mm

 **AXA1184** x4
O-Ring 7.5x1.5mm

 **AXA1188** x4
O-Ring 12x1.5mm

 **AXA1221** x20
Bearing 5x11x4mm


 **AXA1230** x6
Bearing 10x15x4mm


 **AXA1059** x2
6mm Body Clip

 **AXA180** x10
M3x3mm

 **AXA291** x1
M4x4mm

 **AXA185** x2
Set Screw M3x10mm


 **AXA186** x8
Set Screw M3x16mm


 **AXA0187** x4
Set Screw M3x20mm


 **AX31343** x16
M4x20mm Set Screw

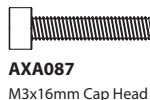
 **AXA0286** x4
M4x12mm


 **AXA0109** x4
M3x10mm
Oversize Flat Hex Socket

 **AX31121** x2
M4x12mm Cap Head

 **AXA015** x16
M2x10mm Cap Head

 **AXA0023** x28
M2.6x8mm Cap Head


 **AXA087** x8
M3x16mm Cap Head

 **AXA091** x2
M3x30mm Cap Head

 **AX31280** x16
M2.6x6mm Hex Socket Button Head

 **AXA0113** x9
M3x6mm Hex Socket Button Head

 **AXA114** x6
M3x8mm Hex Socket Button Head

 **AXA115** x16
M3x10mm Hex Socket Button Head

 **AXA116** x44
M3x12mm Hex Socket Button Head

 **AXA117** x15
M3x15mm Hex Socket Button Head

 **AXA118** x53
M3x18mm Hex Socket Button Head

 **AXA119** x2
M3x20mm Hex Socket Button Head

 **AXA120** x1
M3x25mm Hex Socket Button Head

 **AXA121** x4
M3x30mm Hex Socket Button Head

 **AXA144** x11
M3x8mm Hex Socket Flat Head

 **AX31185** x2
M3x10mm Hex Socket Flat Head

 **AXA146** x16
M3x12mm Hex Socket Flat Head

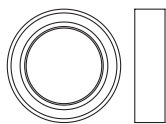
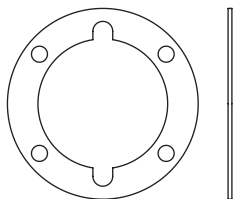
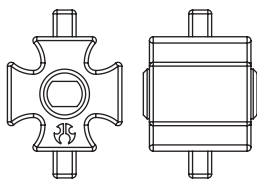
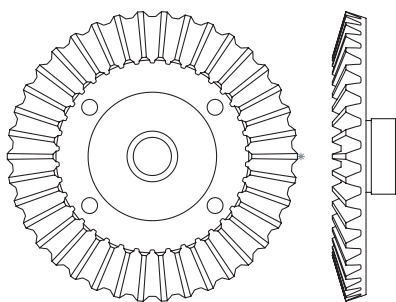
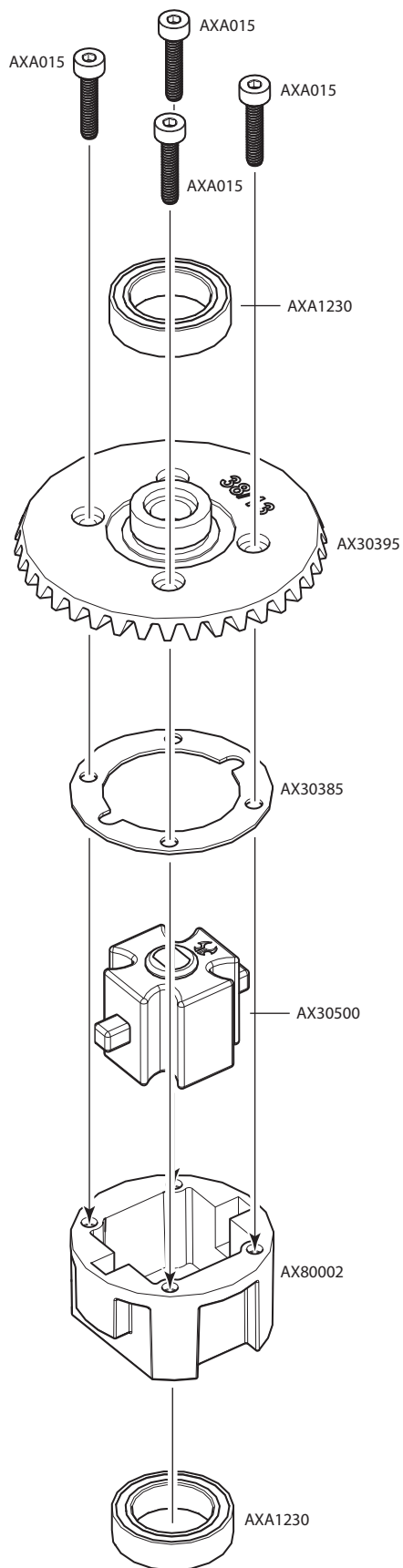
 **AXA0147** x1
M3x16mm Hex Socket Flat Head

 **AXA148** x8
M3x18mm Hex Socket Flat Head

 **AXA150** x3
M3x25mm Hex Socket Flat Head

 **AXA0413** x2
M2.6x8mm Hex Socket Tapping Flat Head

 **AXA441** x4
M3x30mm Hex Socket Tapping Button Head

A**Open Bag A****1****Open Plastic Bag 1****AXA015** x8
M2x10mm Cap Head**AXA1230** x4
Bearing 10x15x4mm**AX30385** x2
Diff Gasket 16x25x0.5mm**AX30500** x2
Heavy Duty Locker**AX30395** x2
38T Bevel Gear**1****x2**

2



AXA115
M3x10mm Hex Socket Button Head

x8



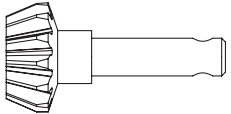
AXA015
M2x10mm

x8



AXA1221
Bearing 5x11x4mm

x4



AX30395
Heavy Duty Bevel Gear - 13T

x2

AXA115

AXA115

AXA115

AXA115

AX31317 **4**

AX31317 **4**



AX30395

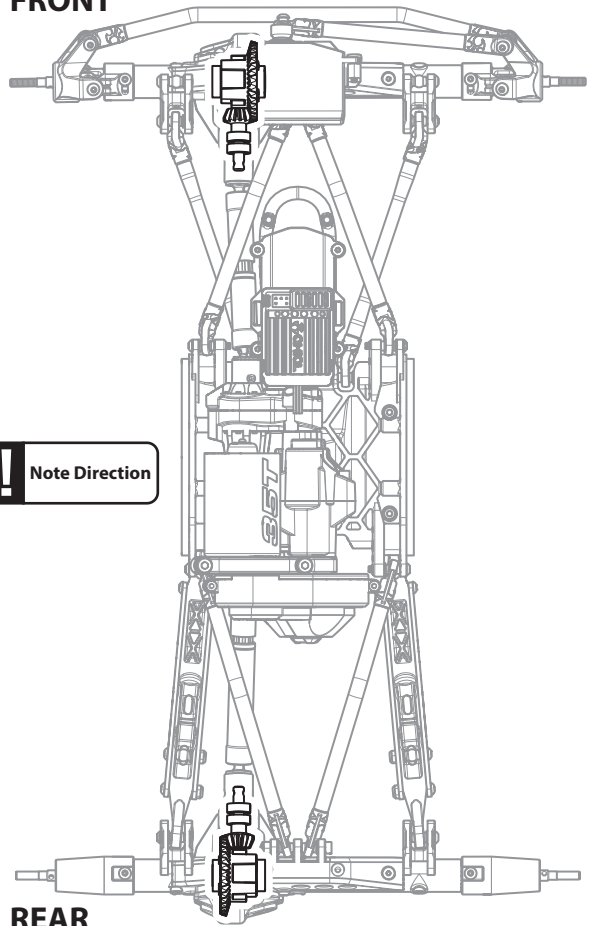
AXA1221

AX80069

AXA1221

x2

FRONT



Note Direction

REAR

AXA0

AXA015

AXA0

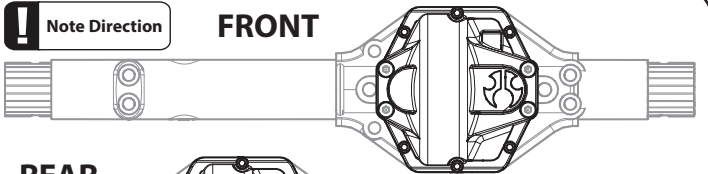
AXA015

AX31317 **2**

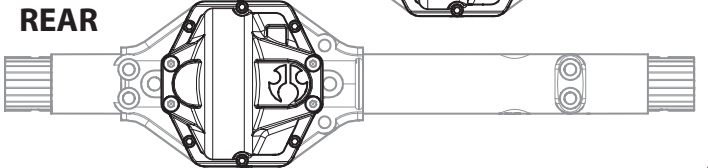
Note Direction

Note Direction

FRONT



REAR



3 Front

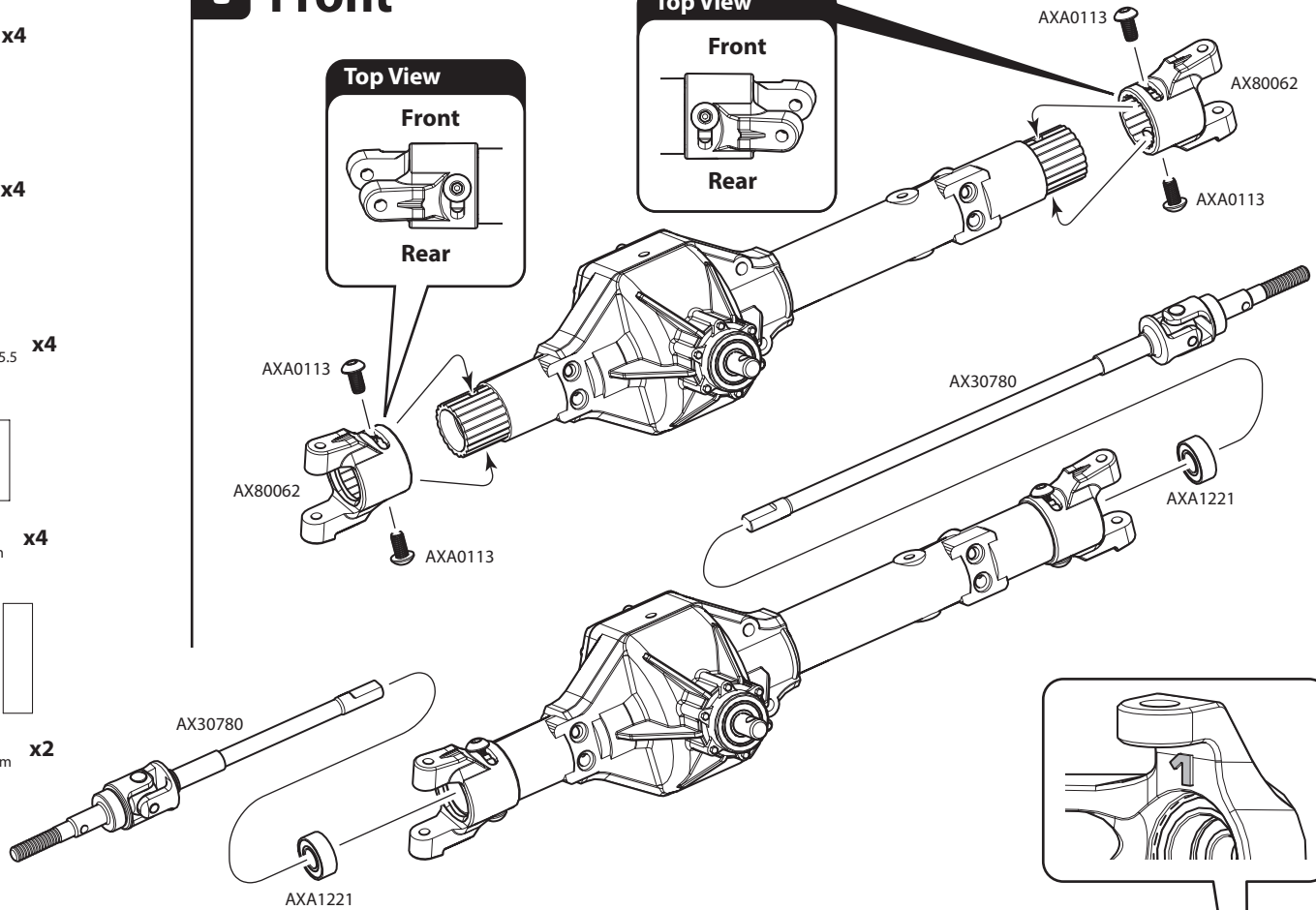
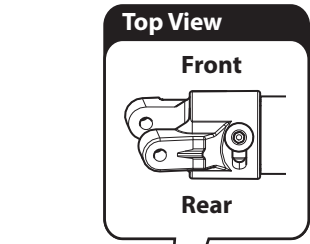
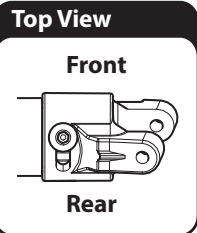
AXA0113
M3x6mm **x4**

AXA115
M3x10mm **x4**

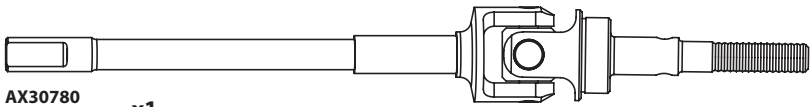
AX30450
Flange Pipe 3x4.5x5.5 **x4**

AXA1221
Bearing 5x11x4mm **x4**

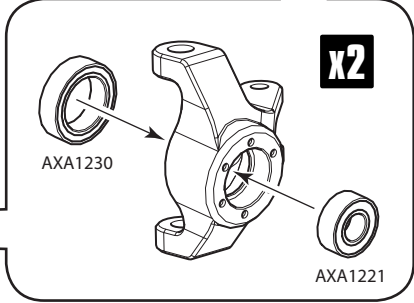
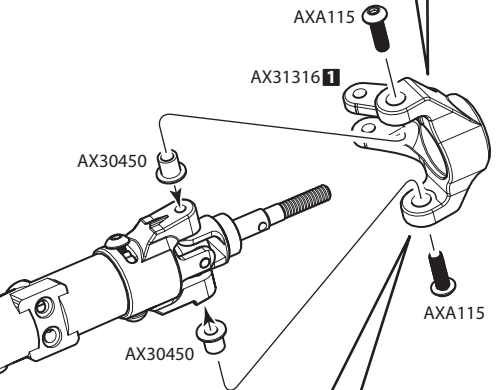
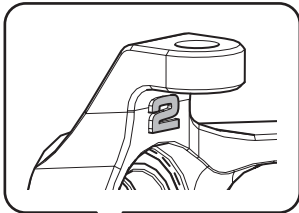
AXA1230
Bearing 10x15x4mm **x2**



AX30780
Axle Shaft Long **x1**



AX30780
Axle Shaft Short **x1**



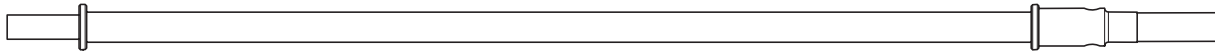
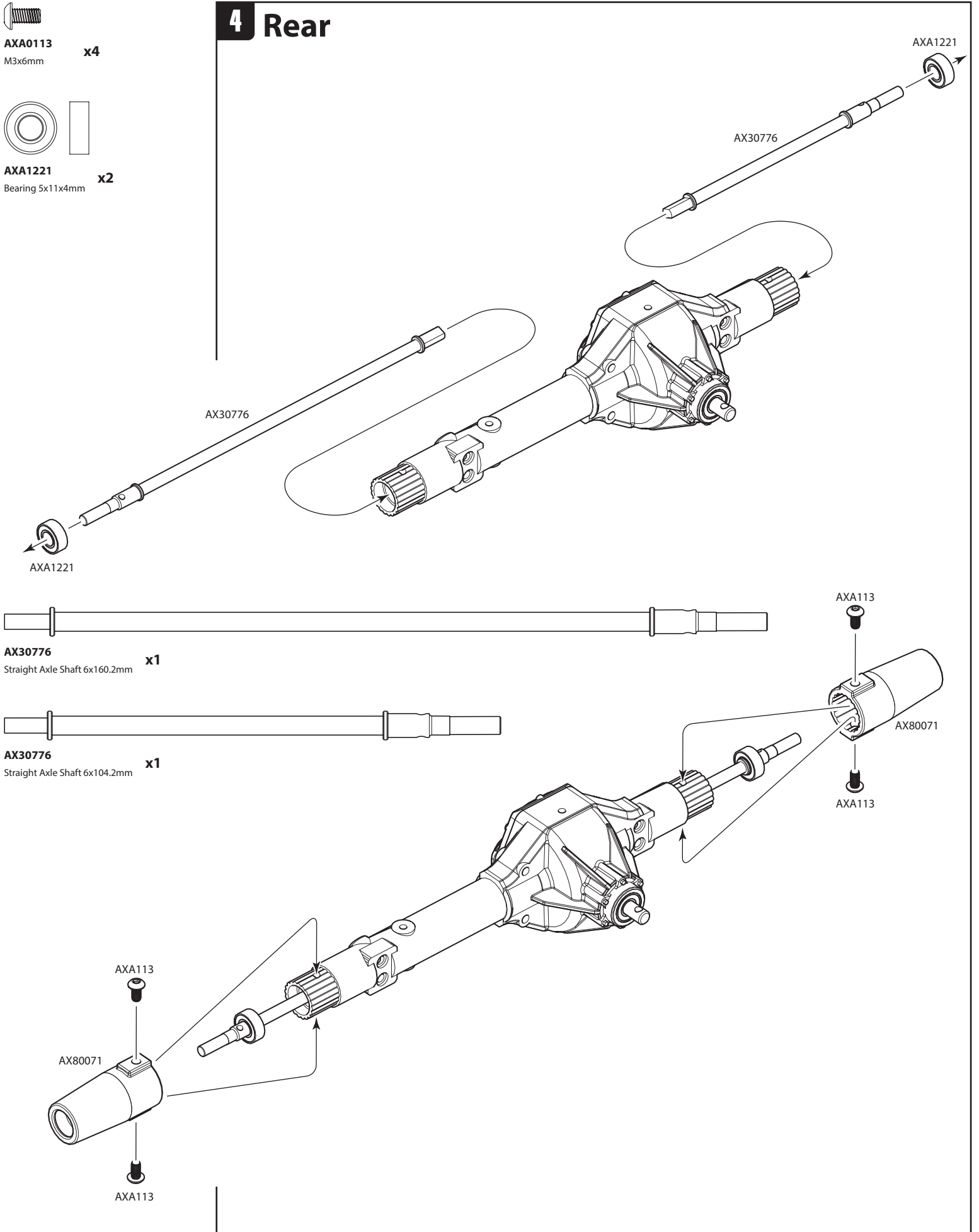
4 Rear



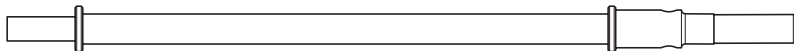
AXA0113
M3x6mm **x4**



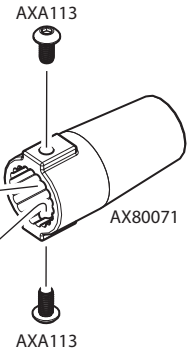
AXA1221
Bearing 5x11x4mm **x2**



AX30776
Straight Axle Shaft 6x160.2mm **x1**



AX30776
Straight Axle Shaft 6x104.2mm **x1**





AXA144
M3x8mm Hex Socket Flat Head

x2



AXA087
M3x16mm Cap Head

x4



AXA119
M3x20mm Hex Socket Button Head

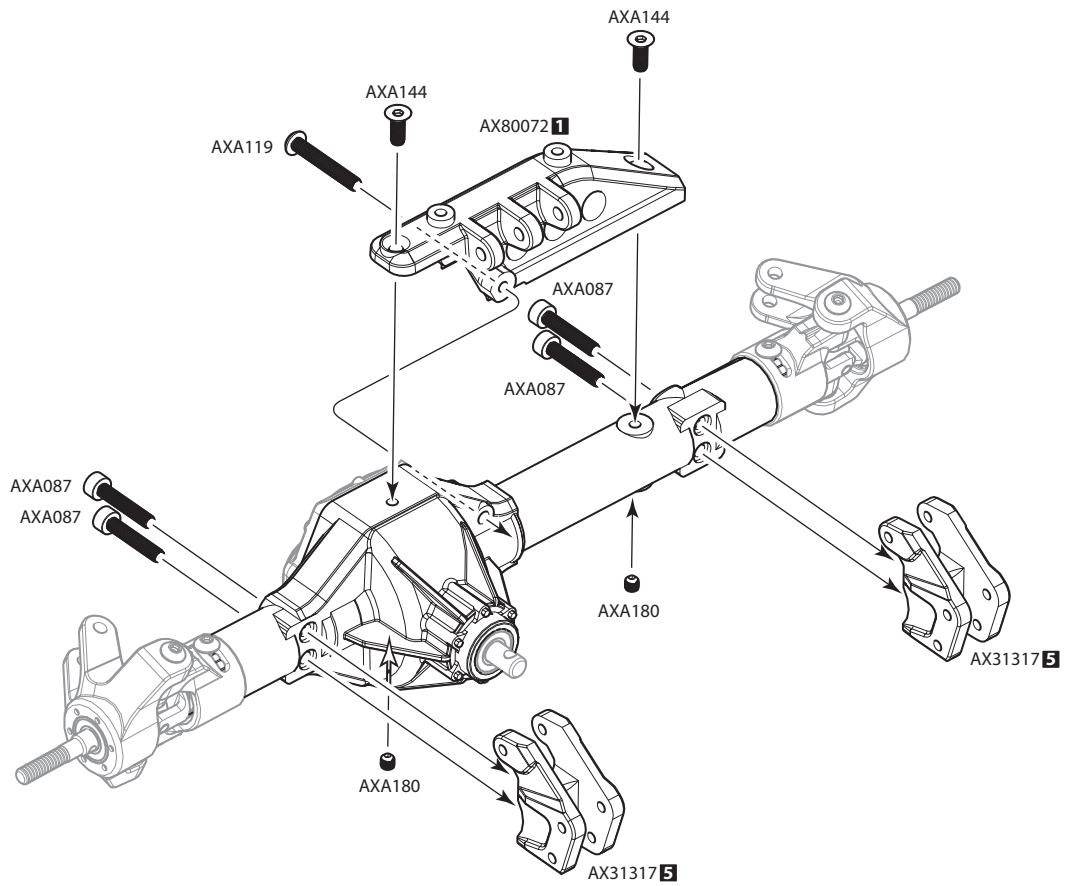
x1



AXA180
M3x3mm

x2

5



AXA144
M3x8mm Hex Socket Flat Head

x2



AXA087
M3x16mm Cap Head

x4



AXA119
M3x20mm Hex Socket Button Head

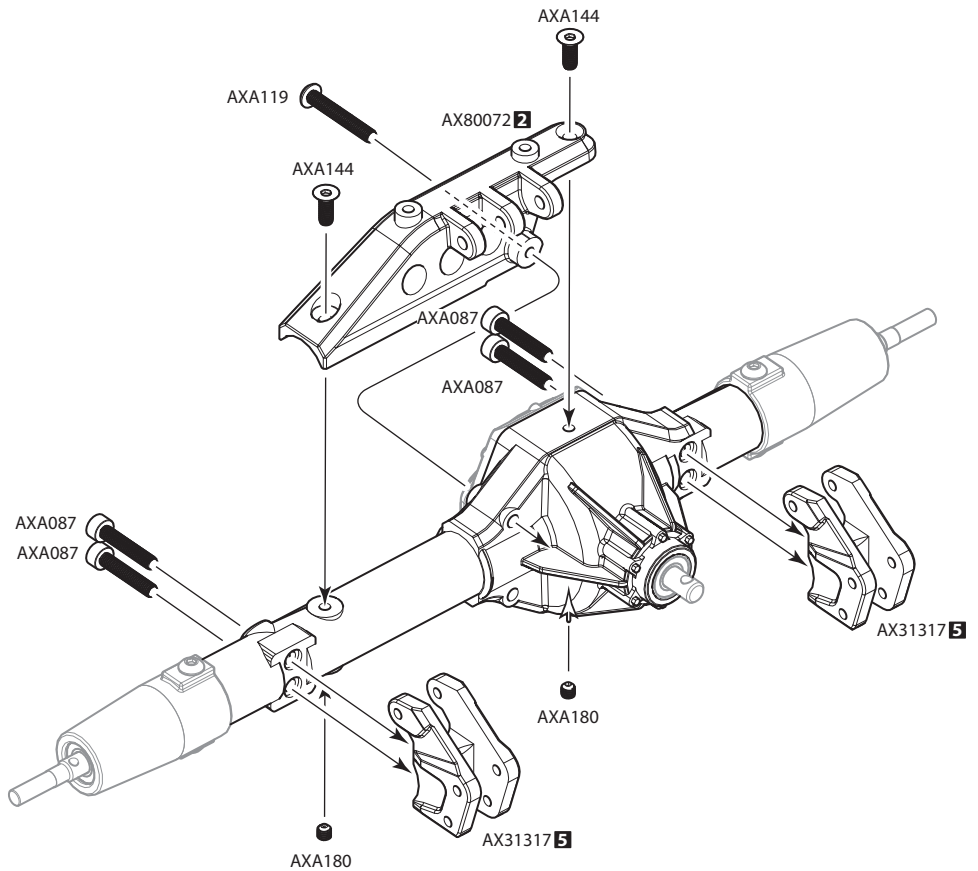
x1



AXA180
M3x3mm

x2

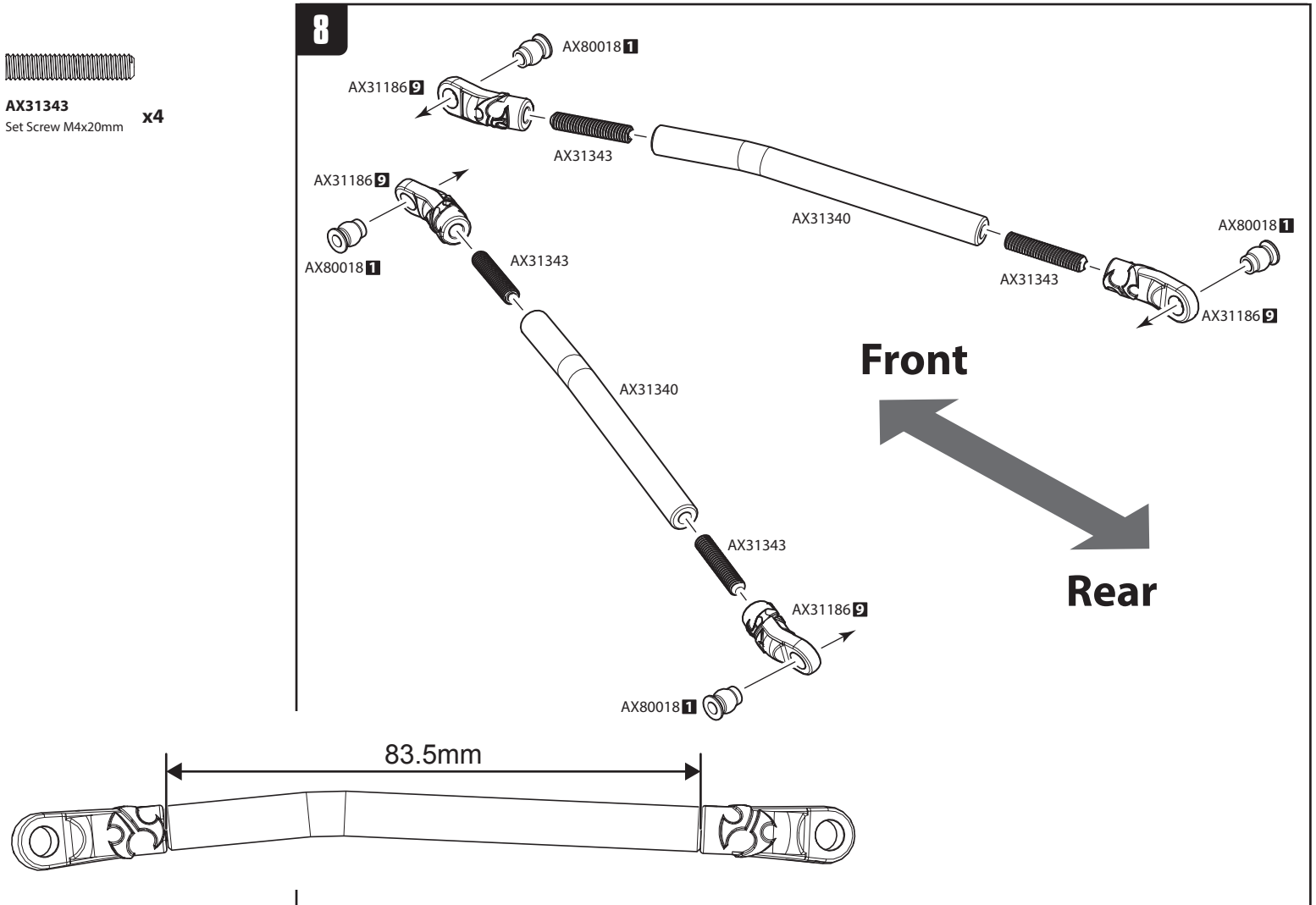
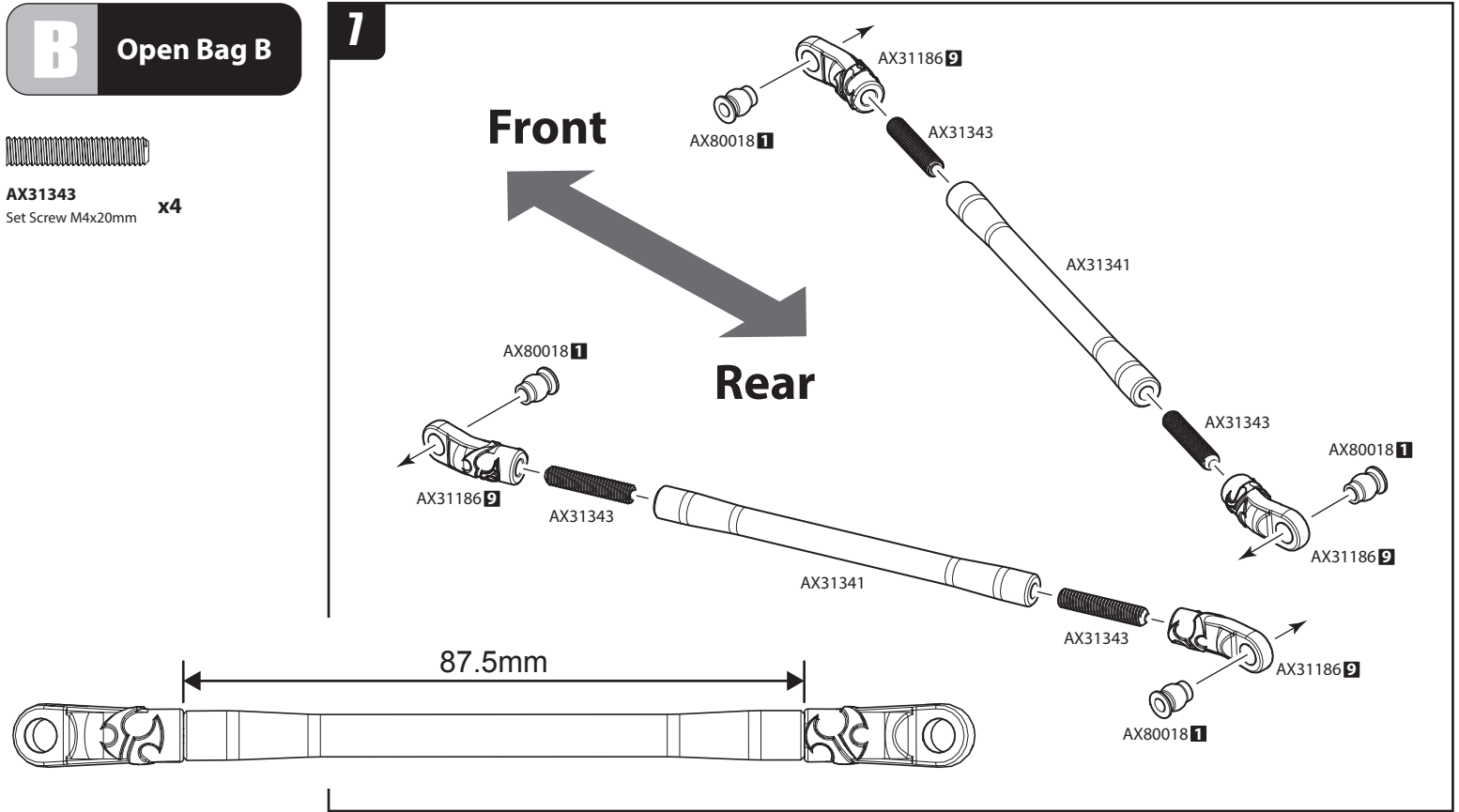
6



B Open Bag B



AX31343
Set Screw M4x20mm **x4**

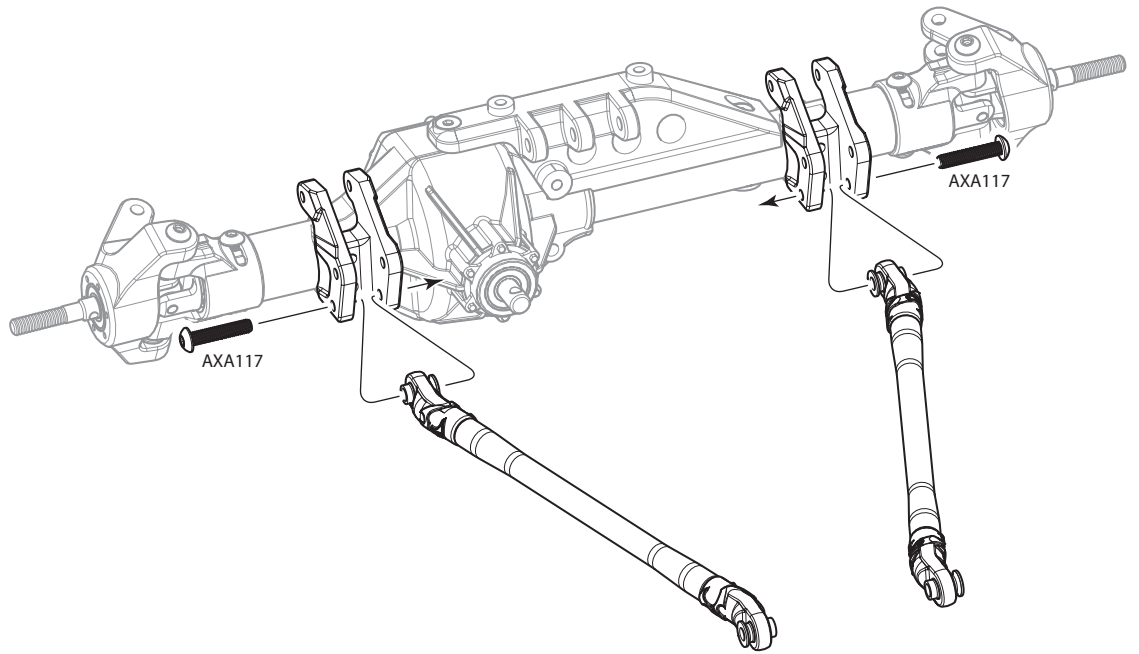




AXA117
M3x15mm Hex Socket Button Head

x2

9



AXA117
M3x15mm Hex Socket Button Head

x2

10



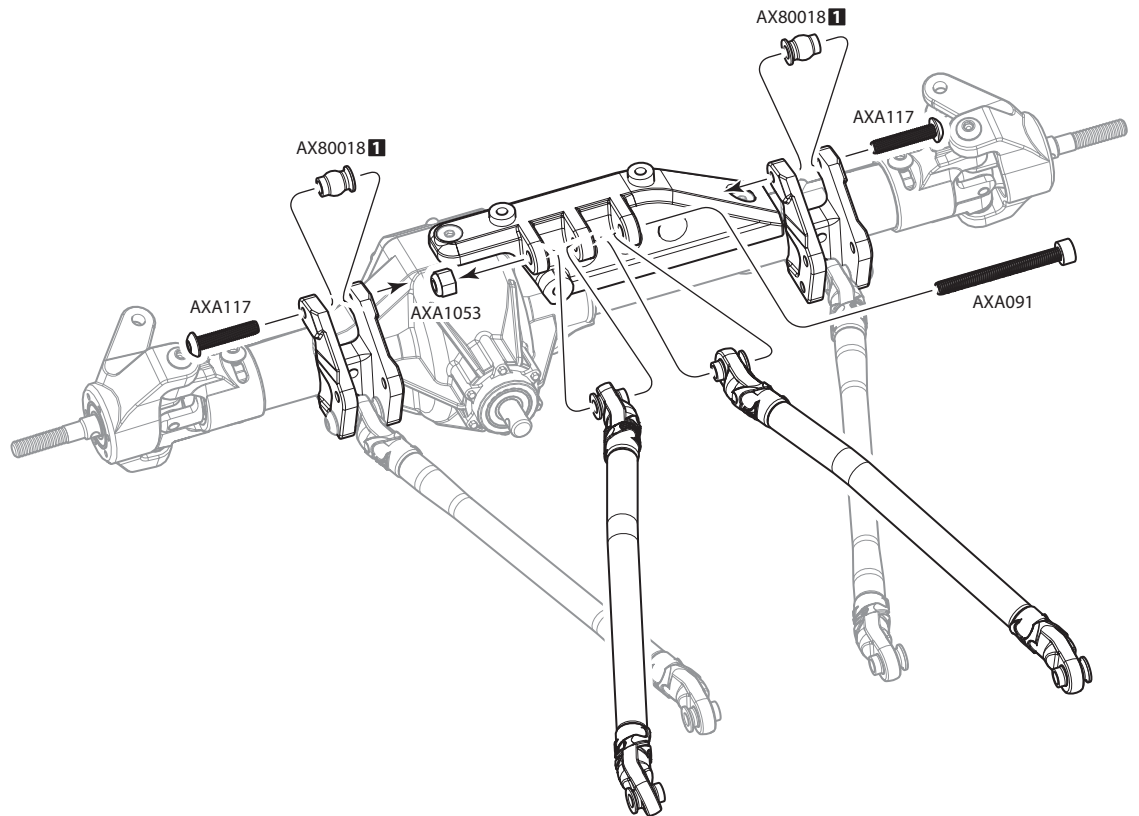
AXA091
M3x30mm Cap Head

x1



AXA1053
M3 Nylon Locking Hex Nut (BLACK)

x1





AXA144
M3x8mm Hex Socket Flat Head

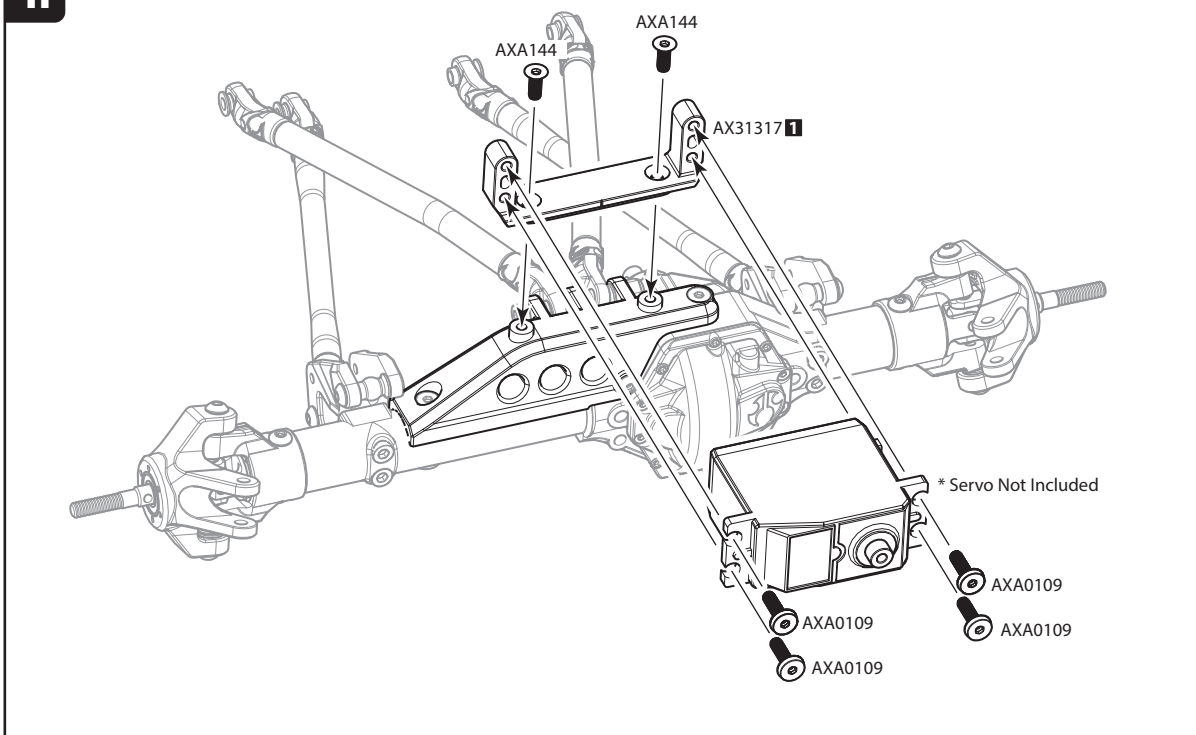
x2



AXA0109
M3x10mm Oversized Flat Hex Socket

x4

11



AXA0113
M3x6mm

x1



AXA118
M3x18mm Hex Socket Button Head

x2



AXA120
M3x25mm Hex Socket Button Head

x1



AX31343
Set Screw M4x20mm

x4



AXA1052
M3 Thin Nylon Locking Hex Nut (BLACK)

x2



AXA1053
M3 Nylon Locking Hex Nut (BLACK)

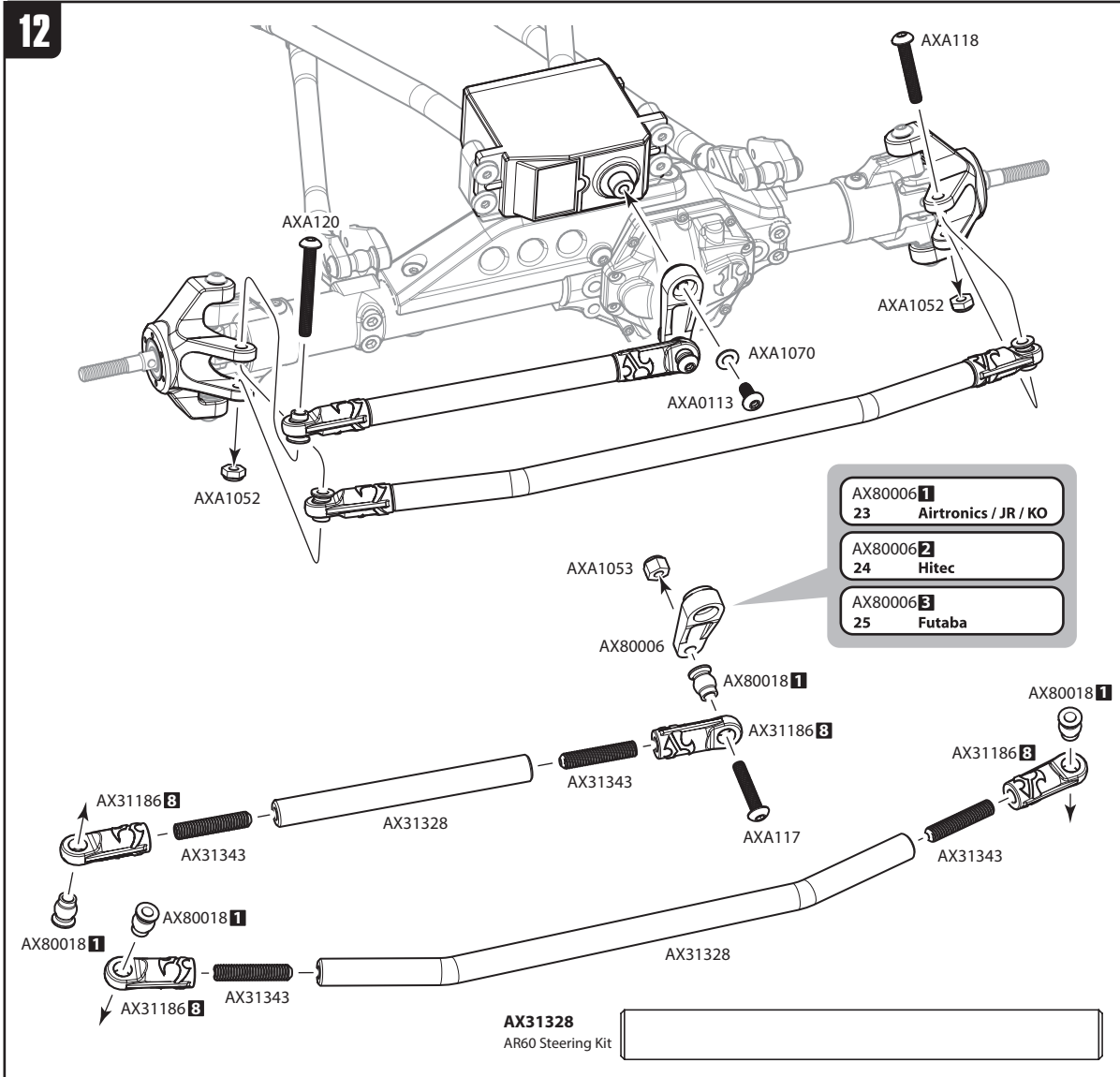
x1



AXA1070
Washer 3x6x0.5mm

x1

12



- | | | |
|-----------|----|----------------------|
| AX80006 1 | 23 | Airtronics / JR / KO |
| AX80006 2 | 24 | Hitec |
| AX80006 3 | 25 | Futaba |



AXA118
M3x18mm Hex Socket Button Head

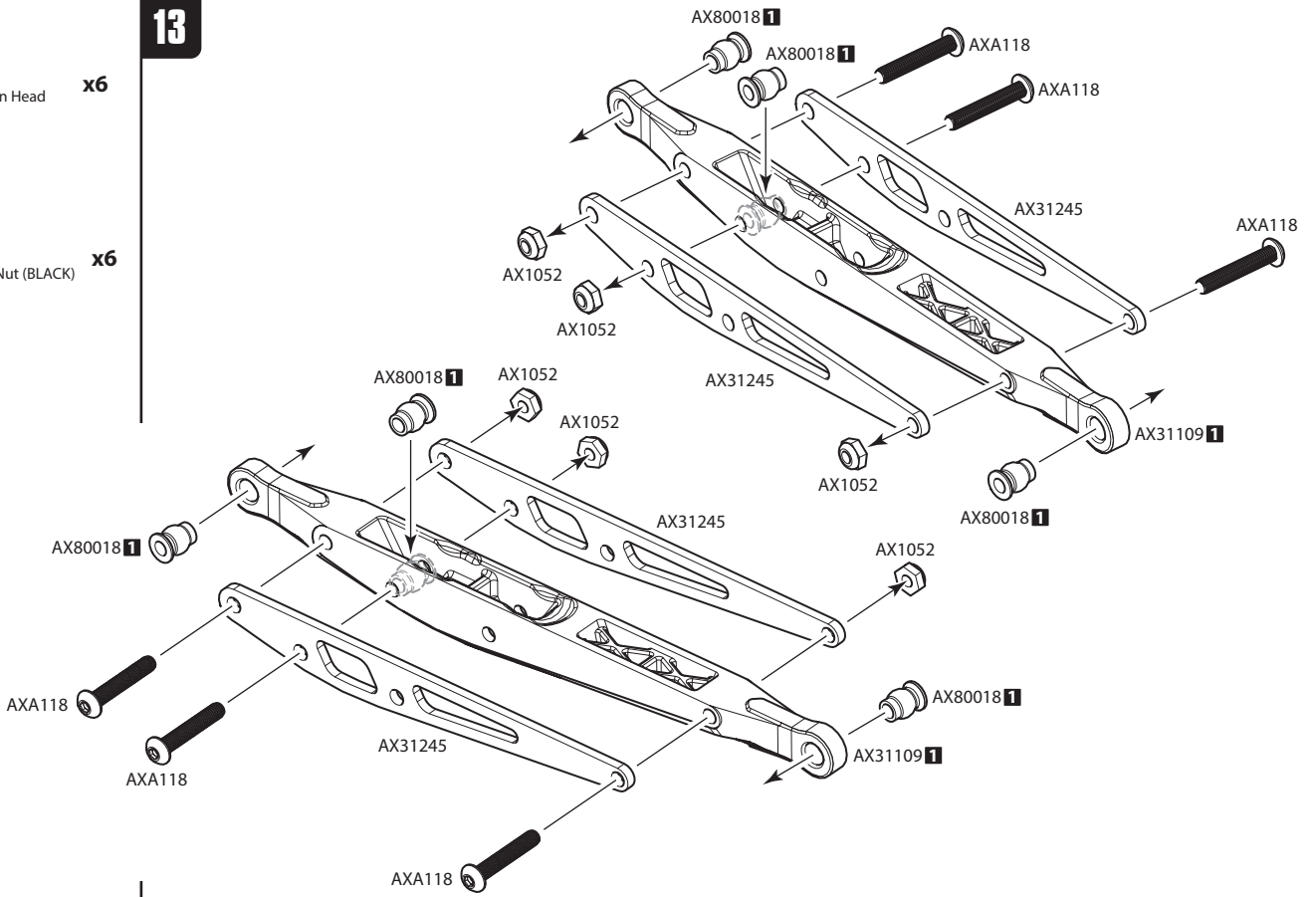
x6



AX1052
M3 Thin Nylon Locking Hex Nut (BLACK)

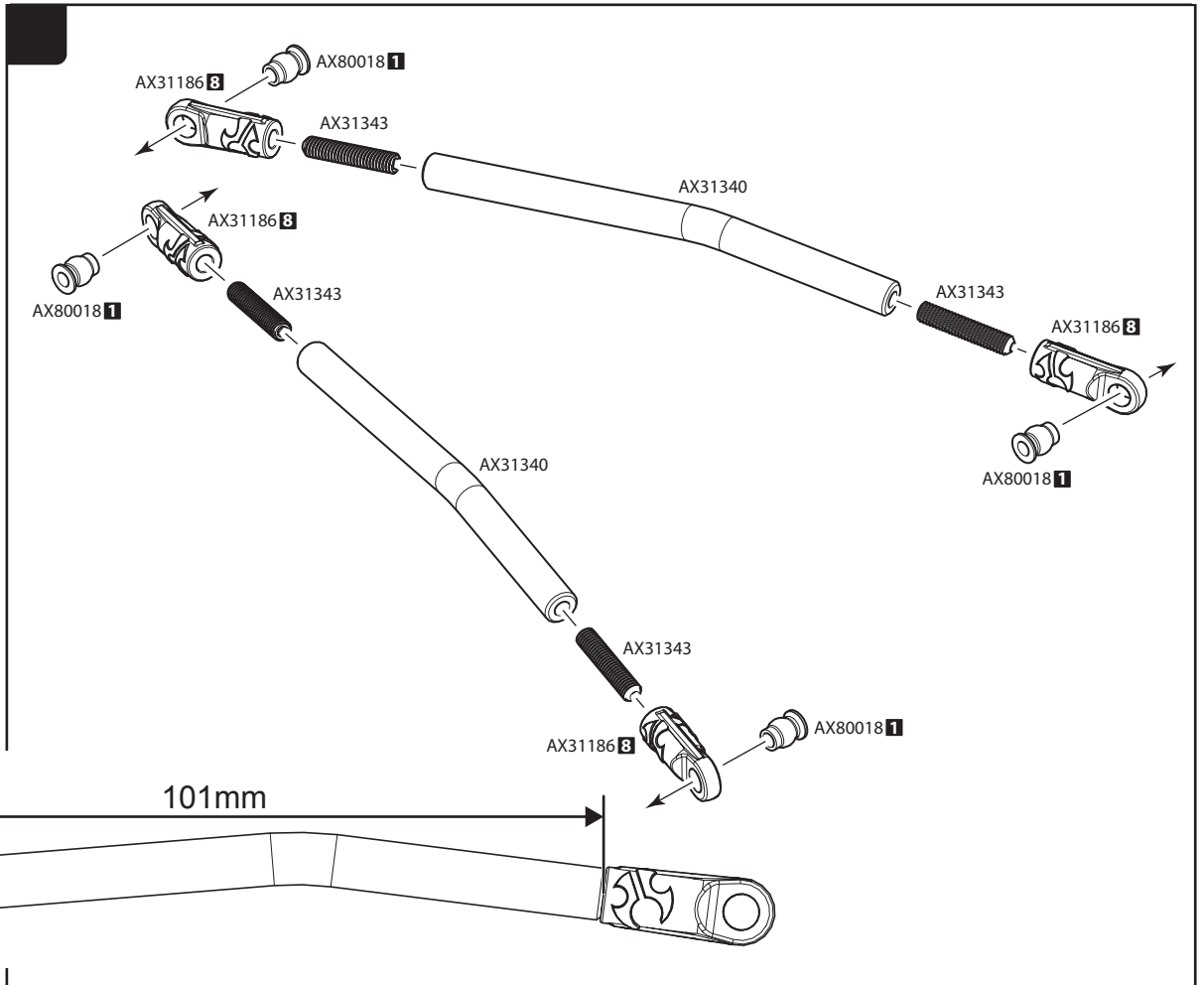
x6

13



AX31343
Set Screw M4x20mm

x4

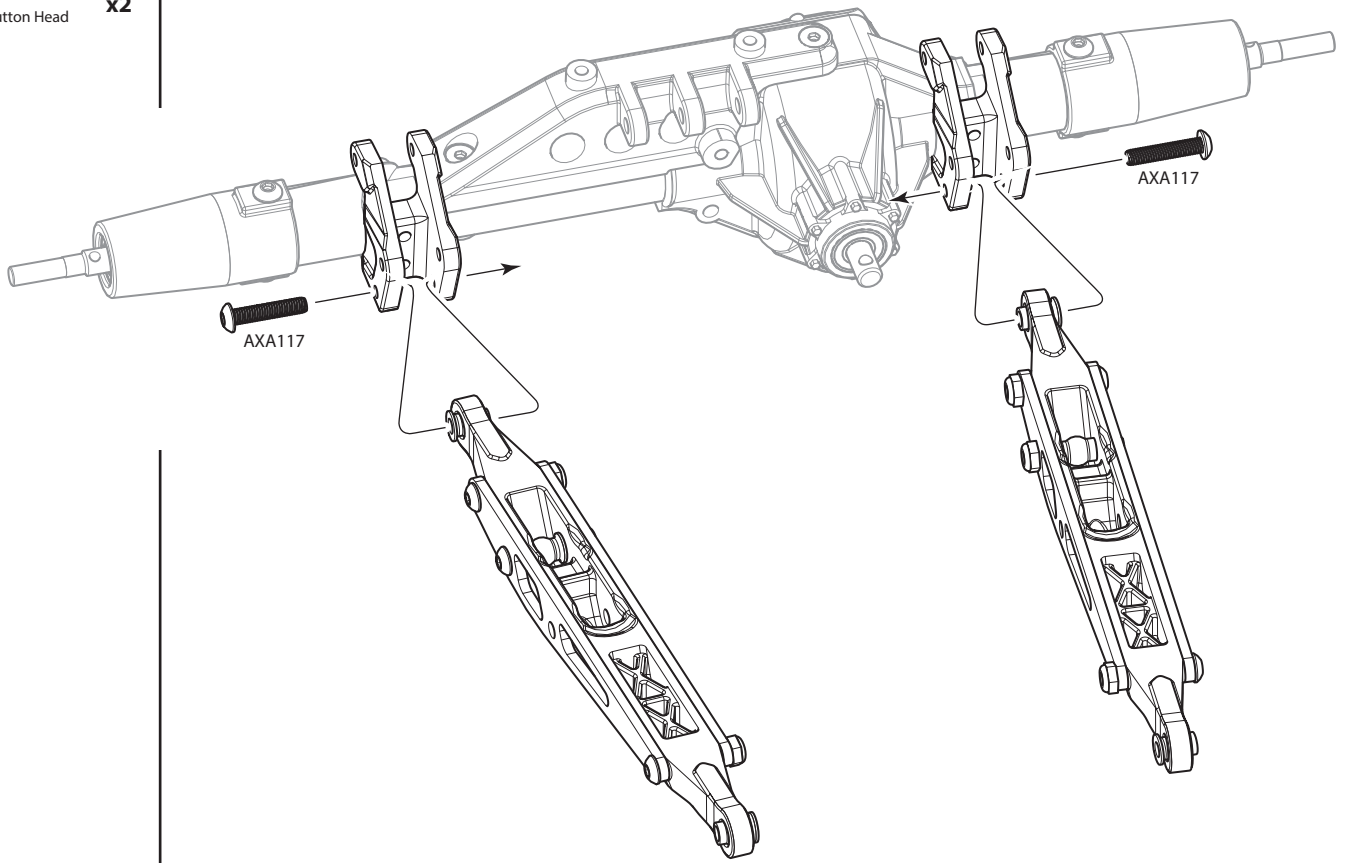




AXA117
M3x15mm Hex Socket Button Head

x2

15



AXA091
M3x30mm Cap Head

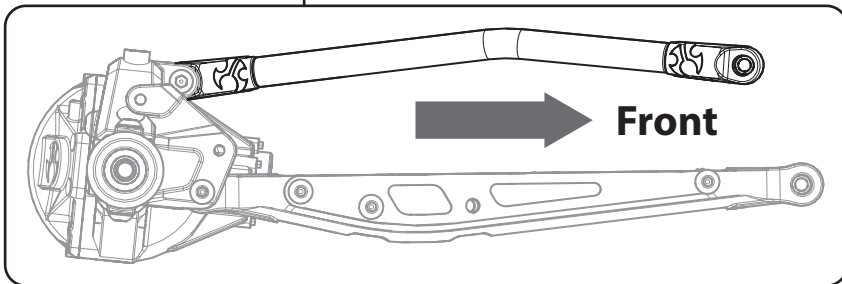
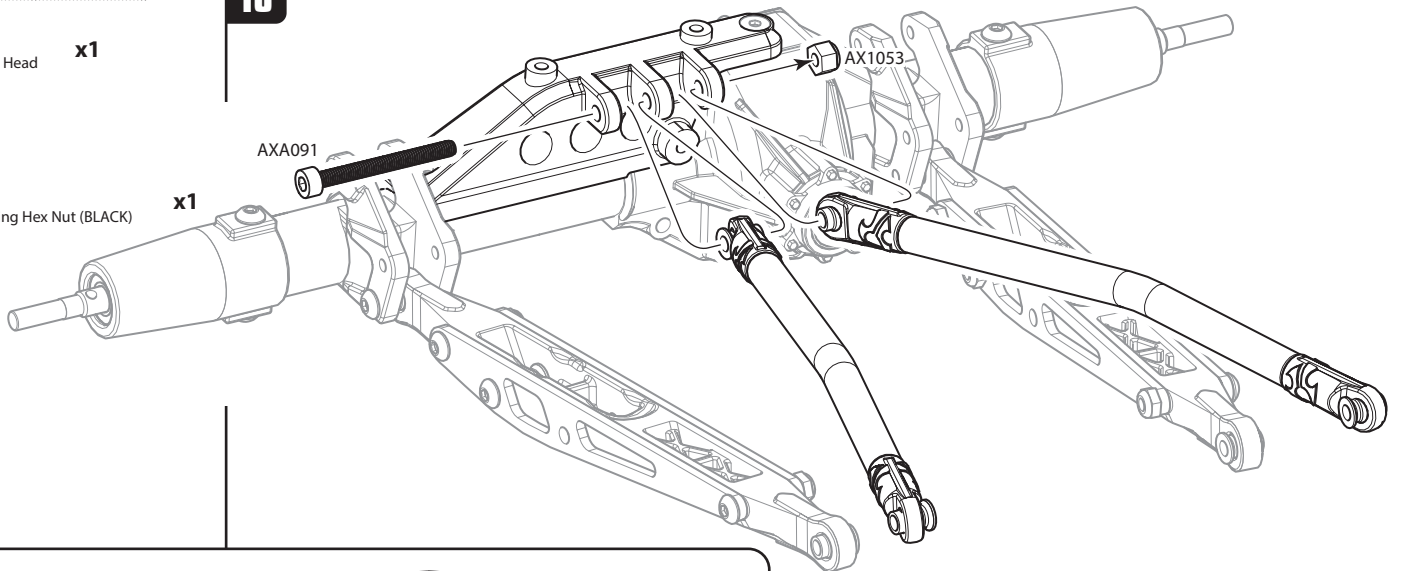
x1

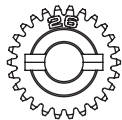
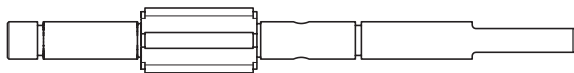
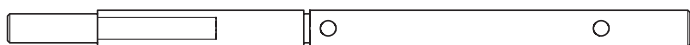
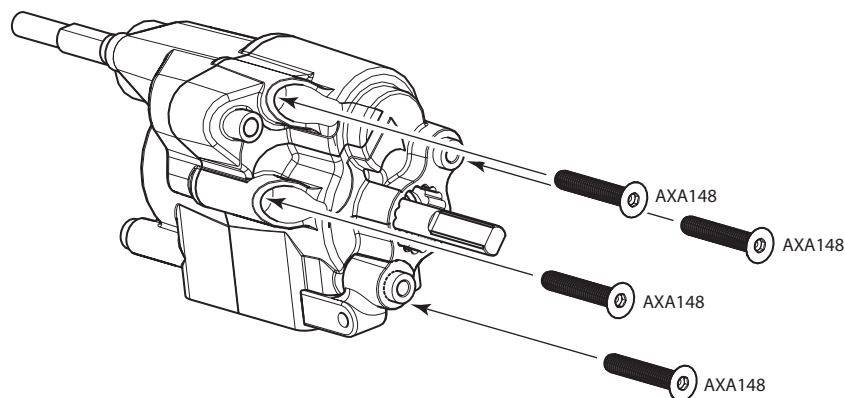
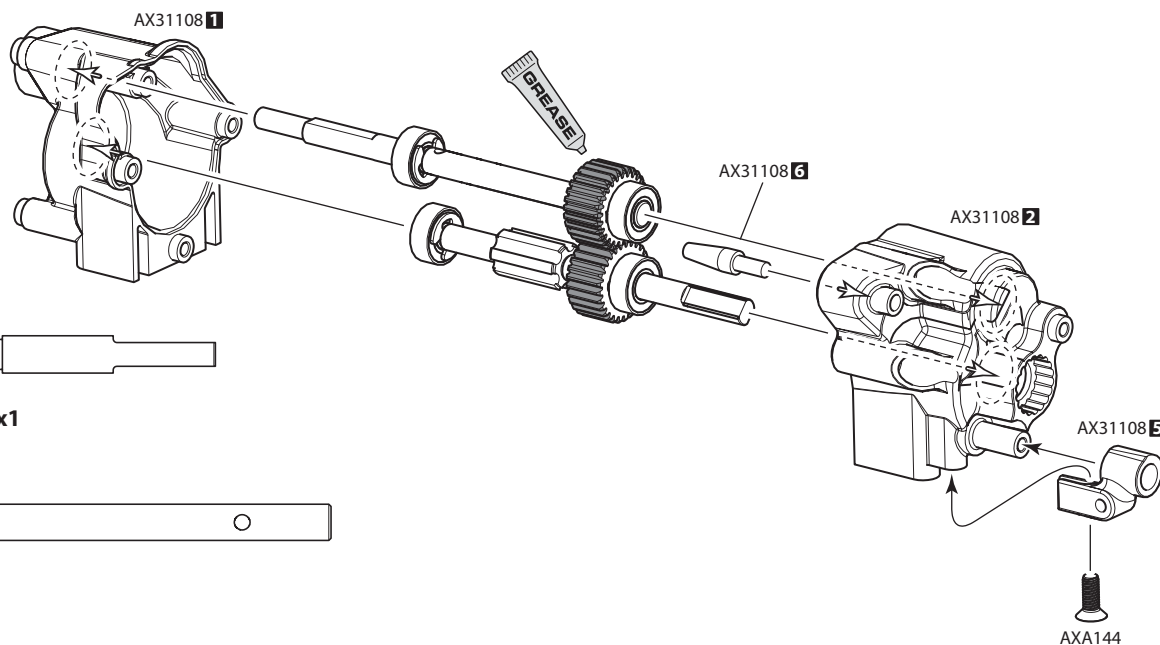
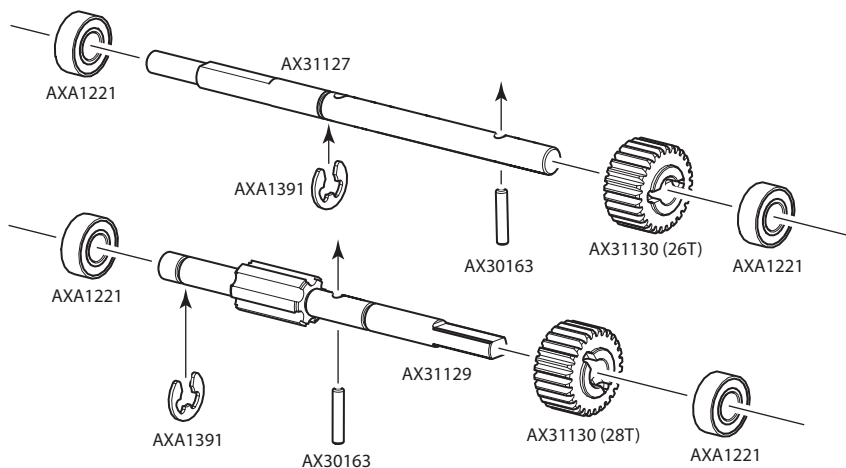


AXA1053
M3 Nylon Locking Hex Nut (BLACK)

x1

16



**AX30163**
Pin 1.5x8mm **x2****AXA1391**
E4 e-clip **x2****AX31130**
26T 48P 2 Speed Gear **x1****AX31130**
28T 48P 2 Speed Gear (High Speed Option) **x1****AXA1221**
Bearing 5x11x4mm **x4****AX31129**
2-Speed Hi/Lo Transmission Bottom Shaft 5x75mm **x1****AX31127**
2-Speed Hi/Lo Transmission Top Shaft **x1****AXA144**
M3x8mm Hex Socket Flat Head **x1****AXA148**
M3x18mm Hex Socket Flat Head **x4**

AX30163
Pin 1.5x8mm **x1**

AXA1391
E4 e-clip **x1**

AXA1221
Bearing 5x11x4mm **x6**

AX31131
T-Case Gear Set **x1**

AXA0147
M3x16mm Hex Socket Flat Head **x1**

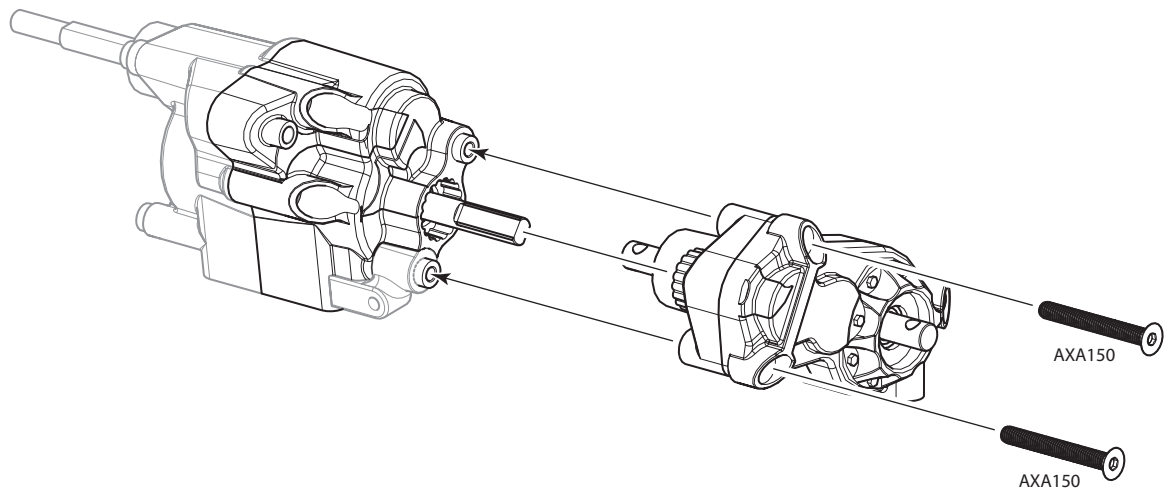
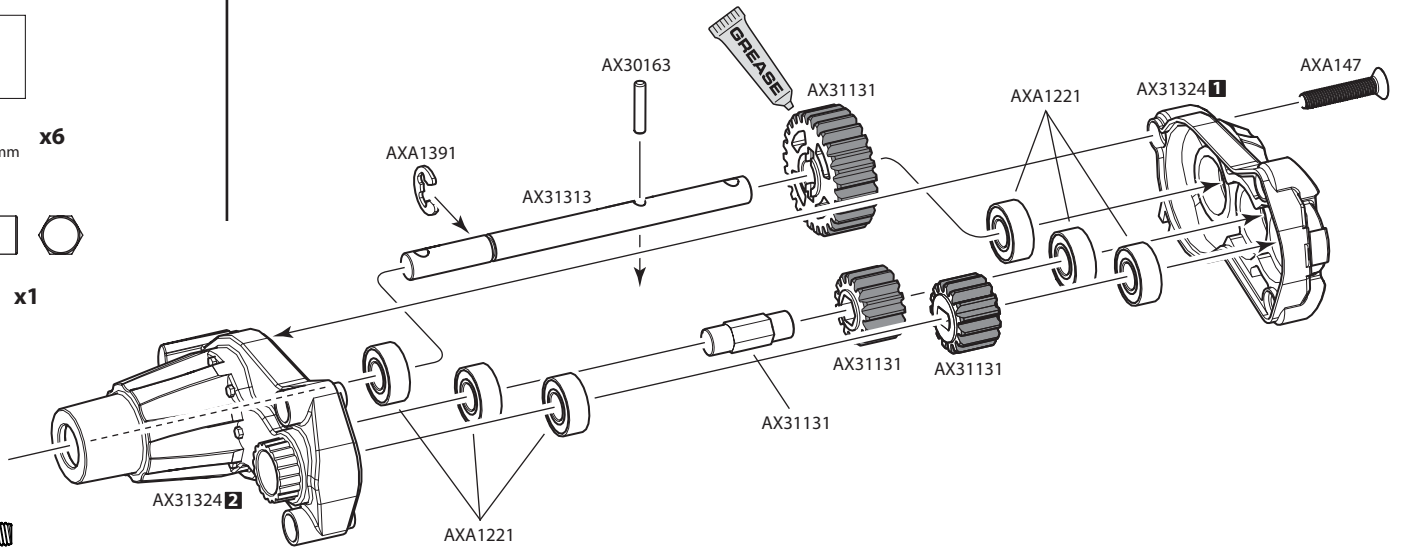
AX31313
Transfer Case Output Shaft 5x68mm **x1**

AX31131
T-Case Gear Set **x1**

AX31131
T-Case Gear Set **x1**

AX31131
T-Case Gear Set **x1**

AXA150
M3x25mm Hex Socket Flat Head **x2**

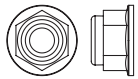
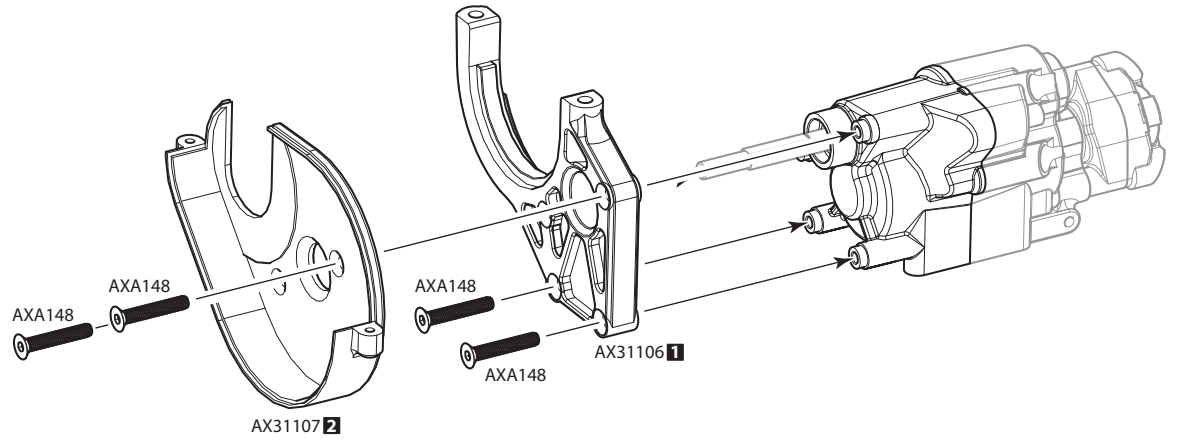




AXA148
M3x18mm Hex Socket Flat Head

x4

19



AXA1045
M4 Nylon Lock Nut (Black)

x1

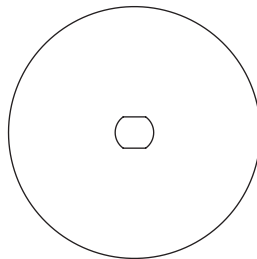
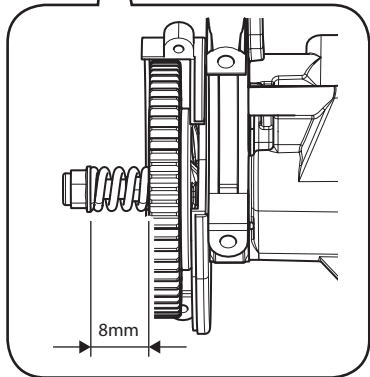
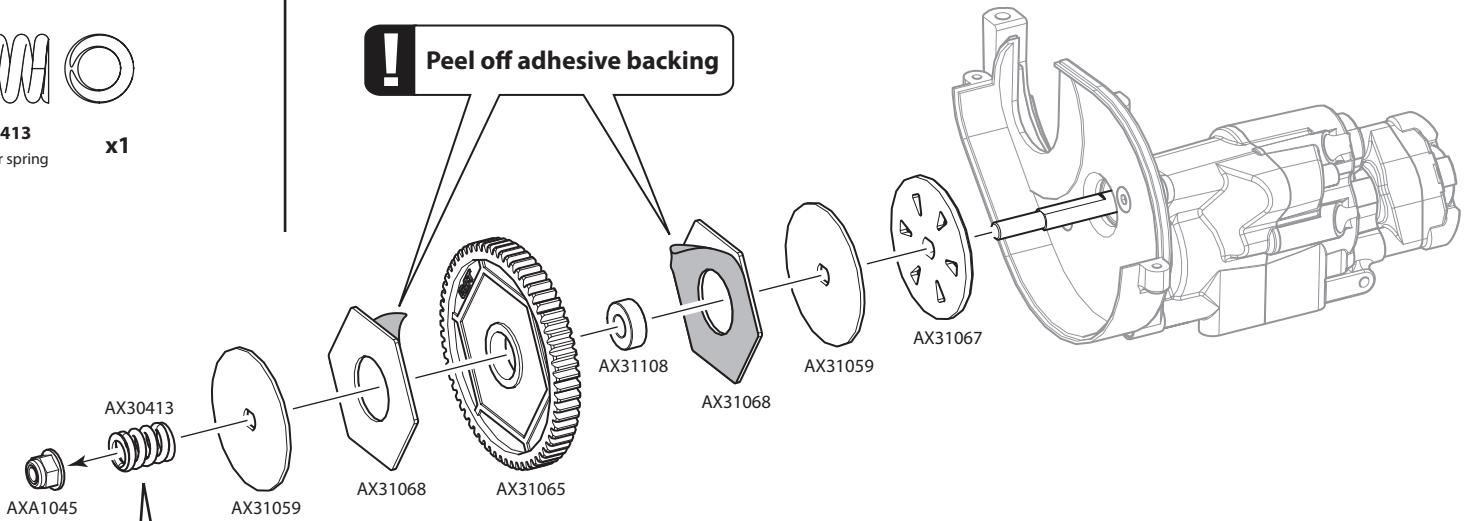


AX30413
Slipper spring

x1

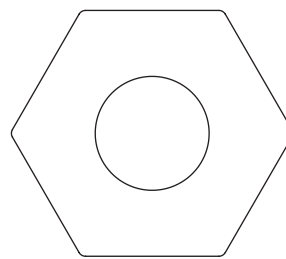
20

! Peel off adhesive backing



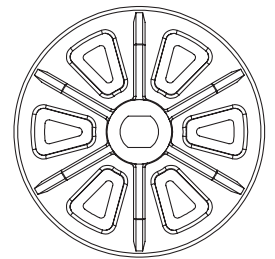
AX31059
Slipper Plate Washer 33x1mm

x2



AX31068
Slipper Pad 32.8x15.2x1mm

x2



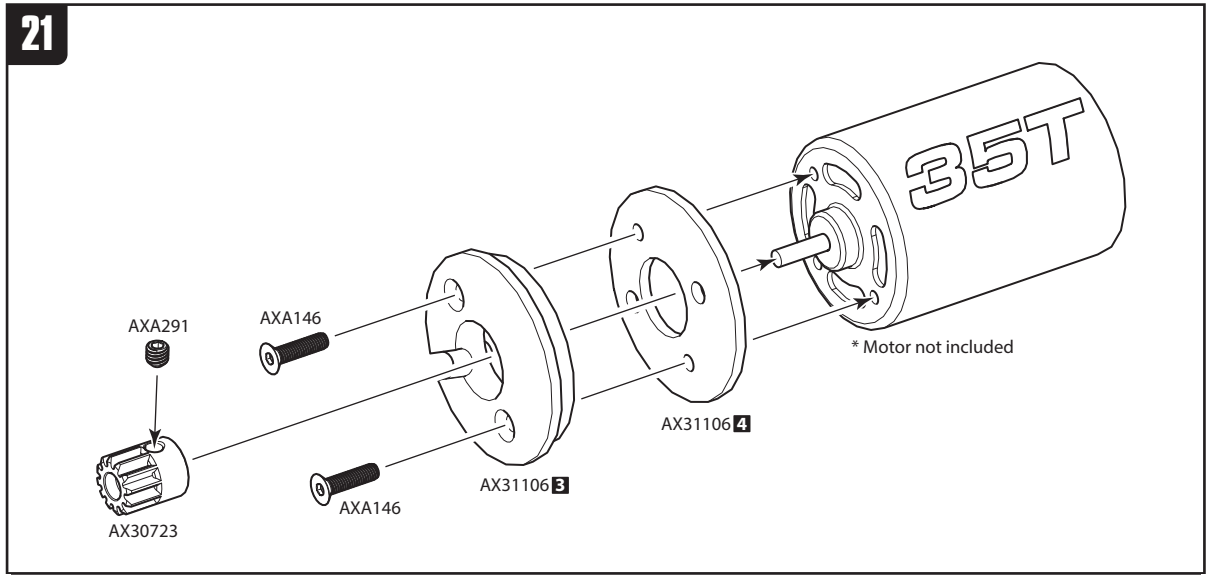
AX31067
Slipper Plate

x1

AXA291
M4x4mm **x1**

AXA146
M3x12mm Hex Socket Flat Head **x2**

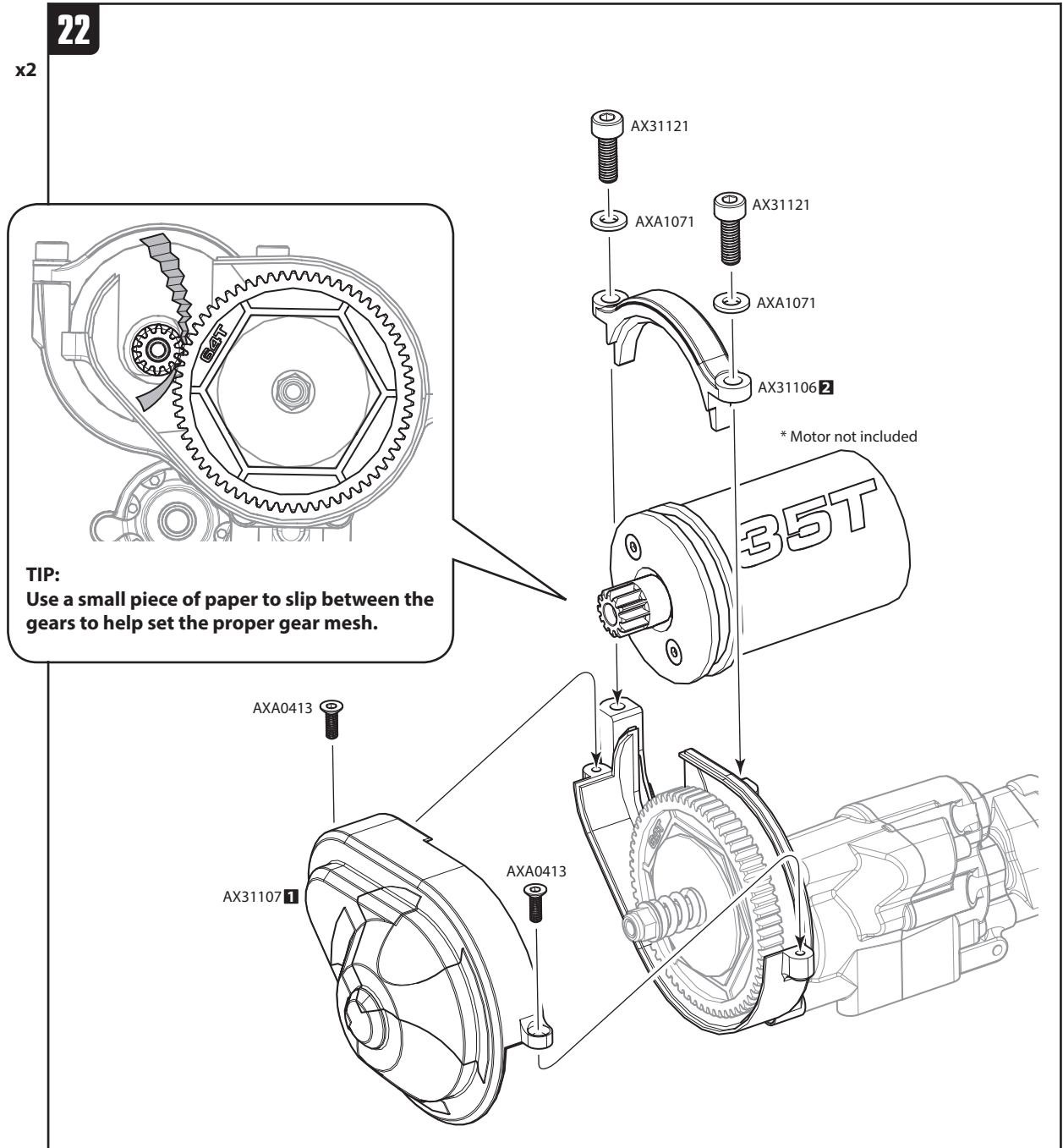
AX30723
Pinion 32DP 12T **x1**



AXA0413
M2.6x8mm Hex Socket Tapping Flat Head **x2**

AX31121
M4x12mm Cap Head **x2**

AXA1071
Washer 4x8x0.5mm **x2**



D**Open Bag D****23 Front**

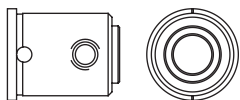

AX31028
Pin 2x11mm **x2**



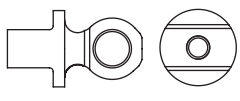
AX30463
4.5x6.5mm joint Pin **x2**



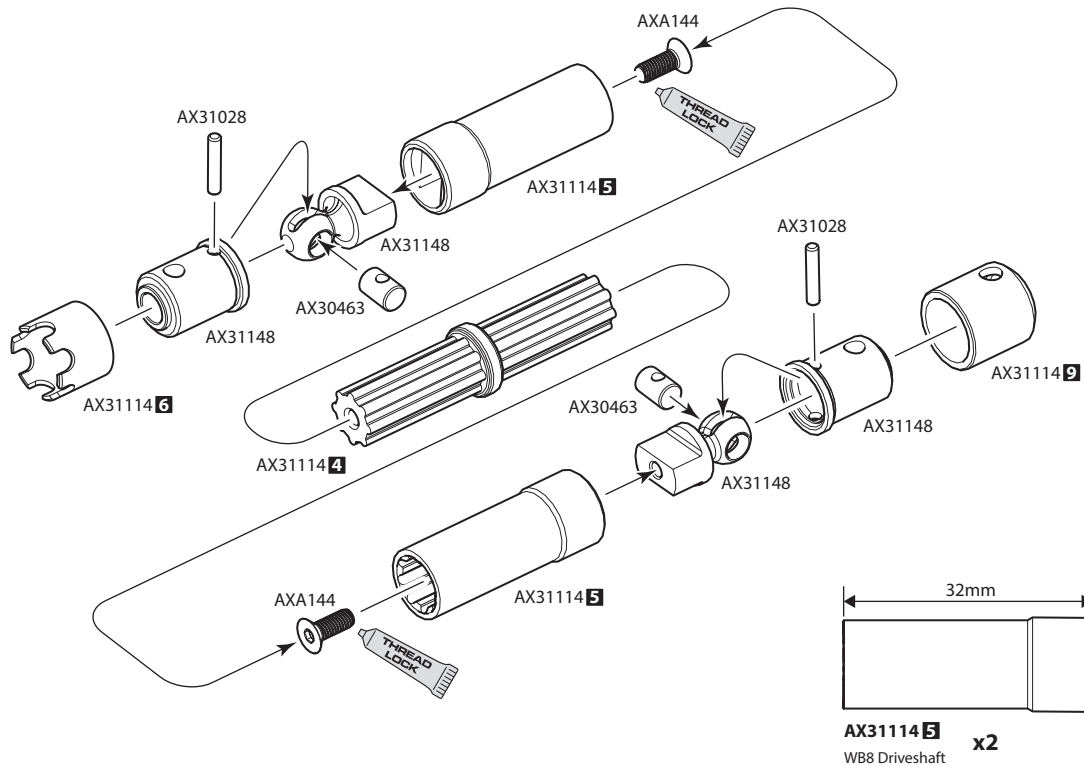

AXA144
M3x8mm **x2**



AX31148
WB8-HD Driveshaft Coupler Set **x2**



AX31148
WB8-HD Driveshaft Coupler Set **x2**

**24 Rear**


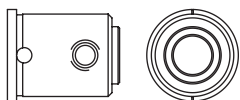
AX31028
Pin 2x11mm **x2**



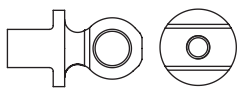
AX30463
4.5x6.5mm joint Pin **x2**



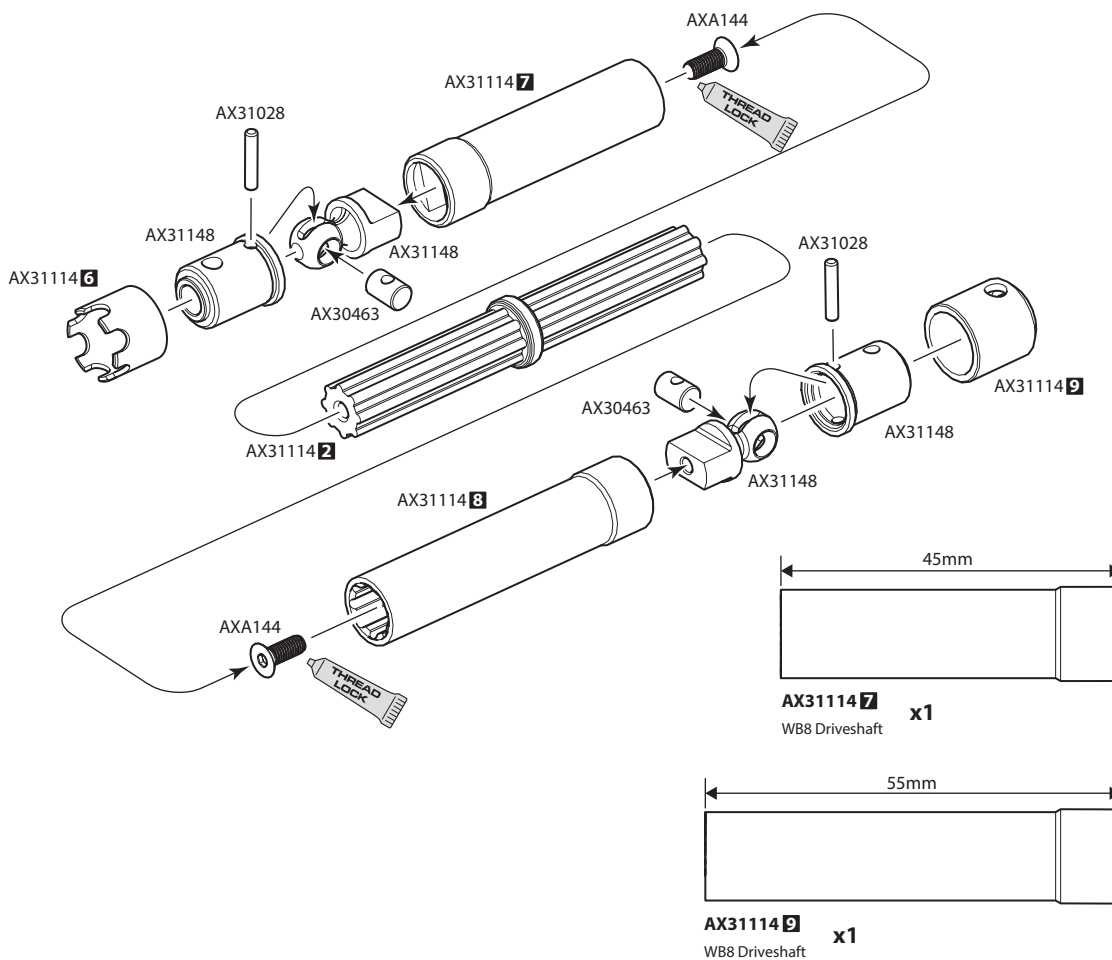
AXA144
M3x8mm **x2**

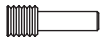


AX31148
WB8-HD Driveshaft Coupler Set **x2**



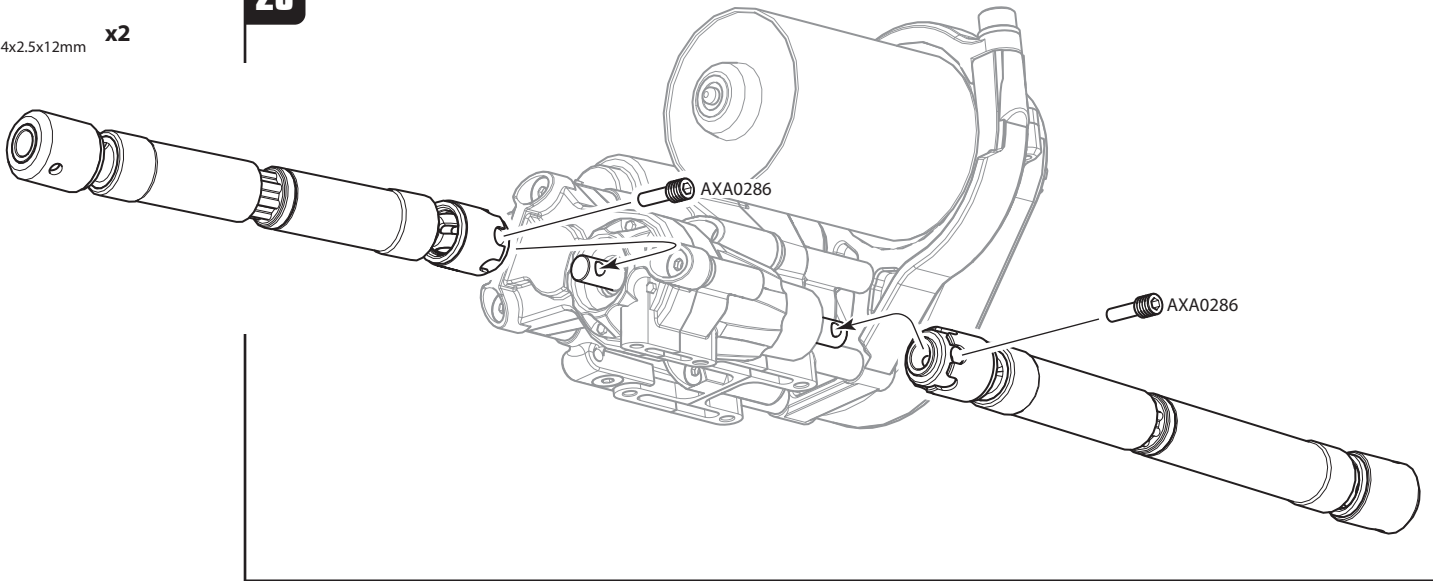
AX31148
WB8-HD Driveshaft Coupler Set **x2**





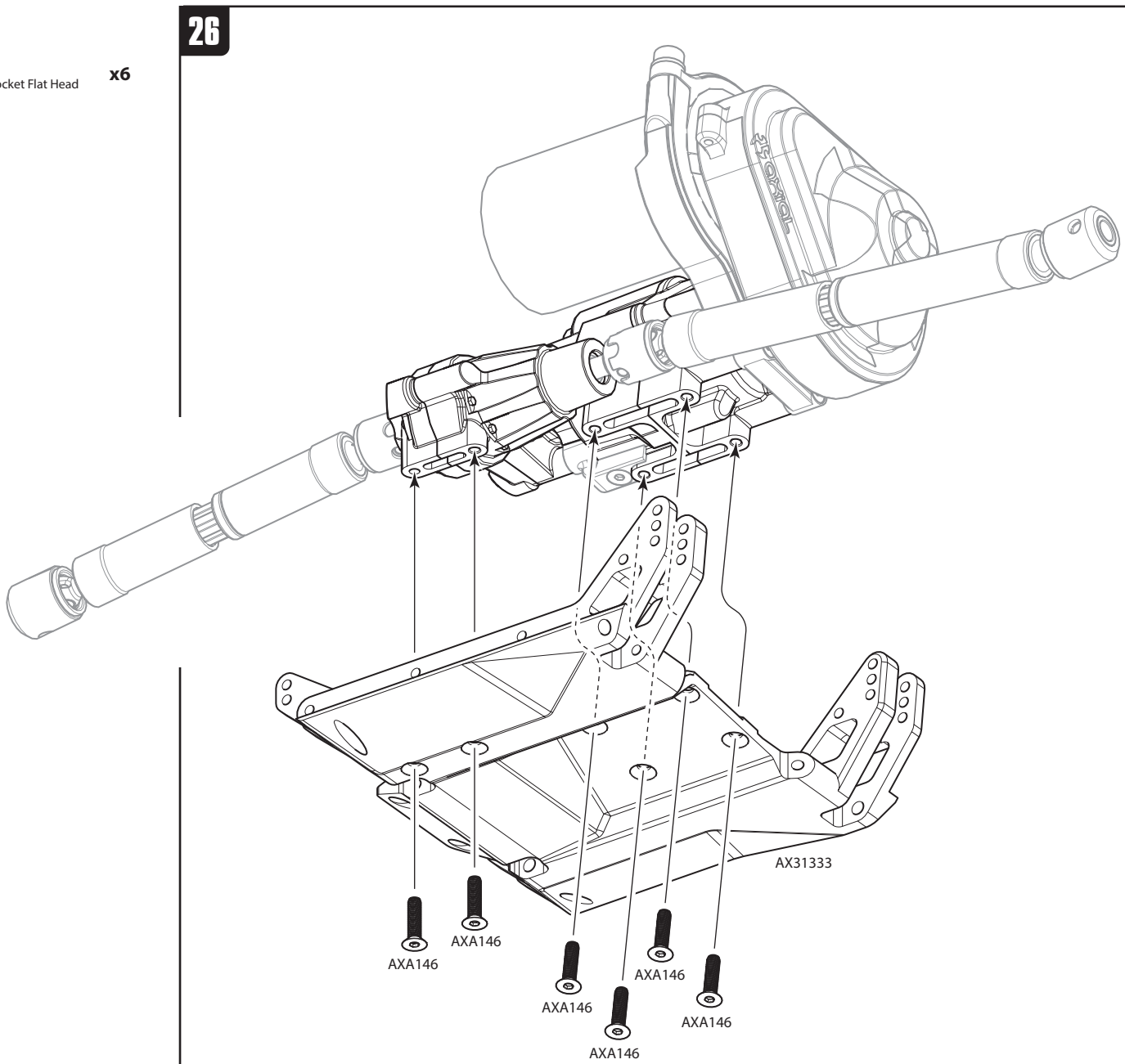
AXA0286
Screw Shaft M4x2.5x12mm **x2**

25



AXA146
M3x12mm Hex Socket Flat Head **x6**

26

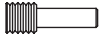




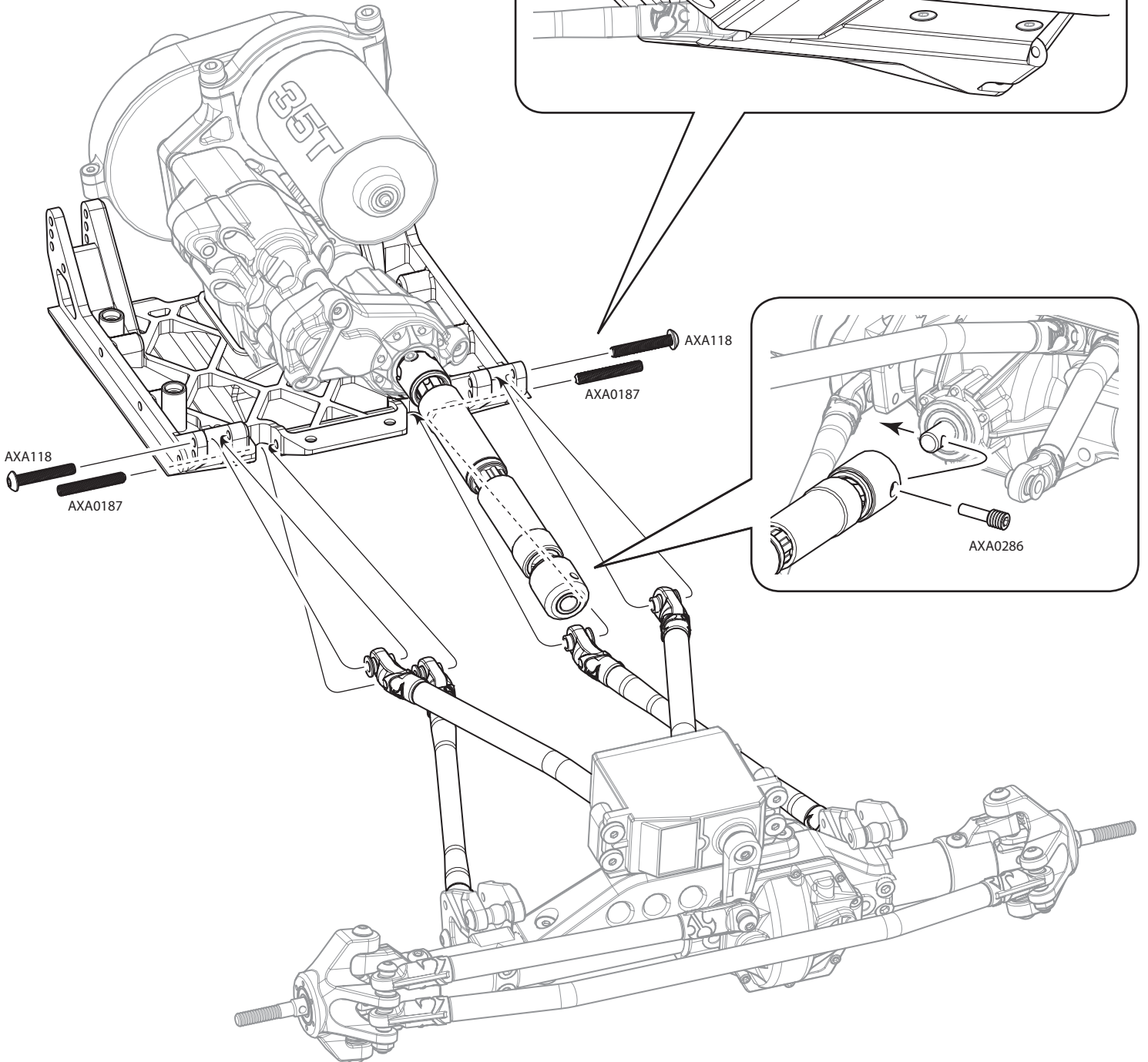
AXA118
M3x18mm Hex Socket Button Head **x2**



AXA0187
Set Screw M3x20mm **x2**



AXA0286
Screw Shaft M4x2.5x12mm **x1**

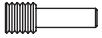




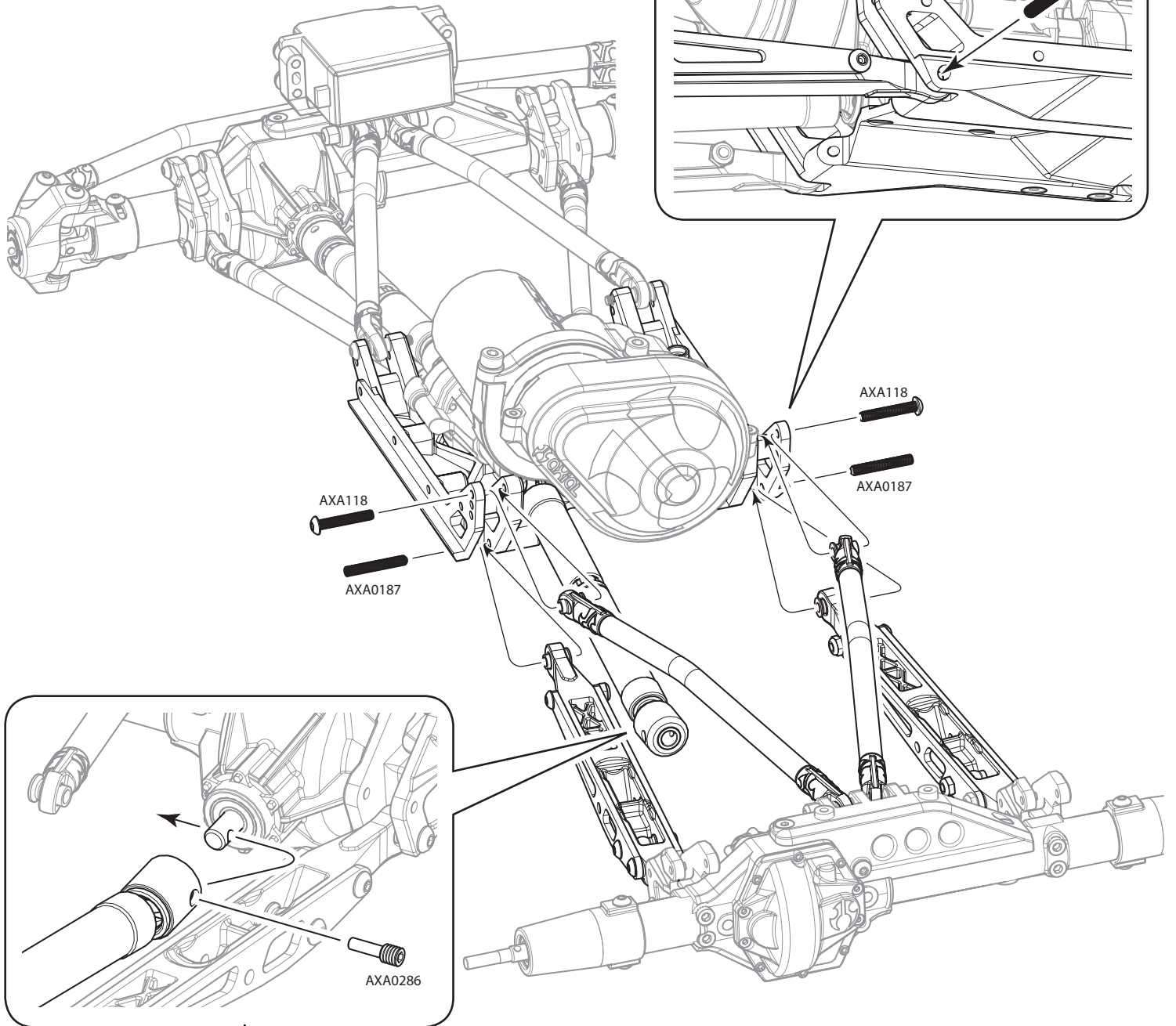
AXA118
M3x18mm Hex Socket Button Head **x2**



AXA0187
Set Screw M3x20mm **x2**



AXA0286
Screw Shaft M4x2.5x12mm **x1**

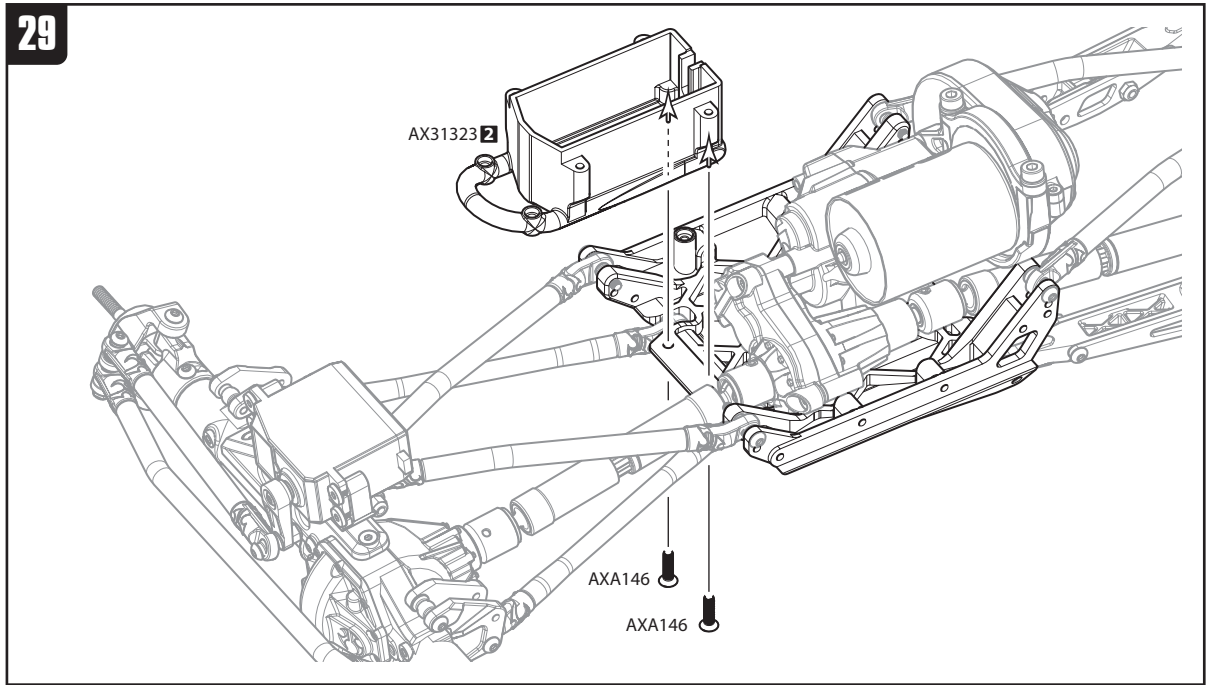




AXA146
M3x12mm Hex Socket Flat Head

x2

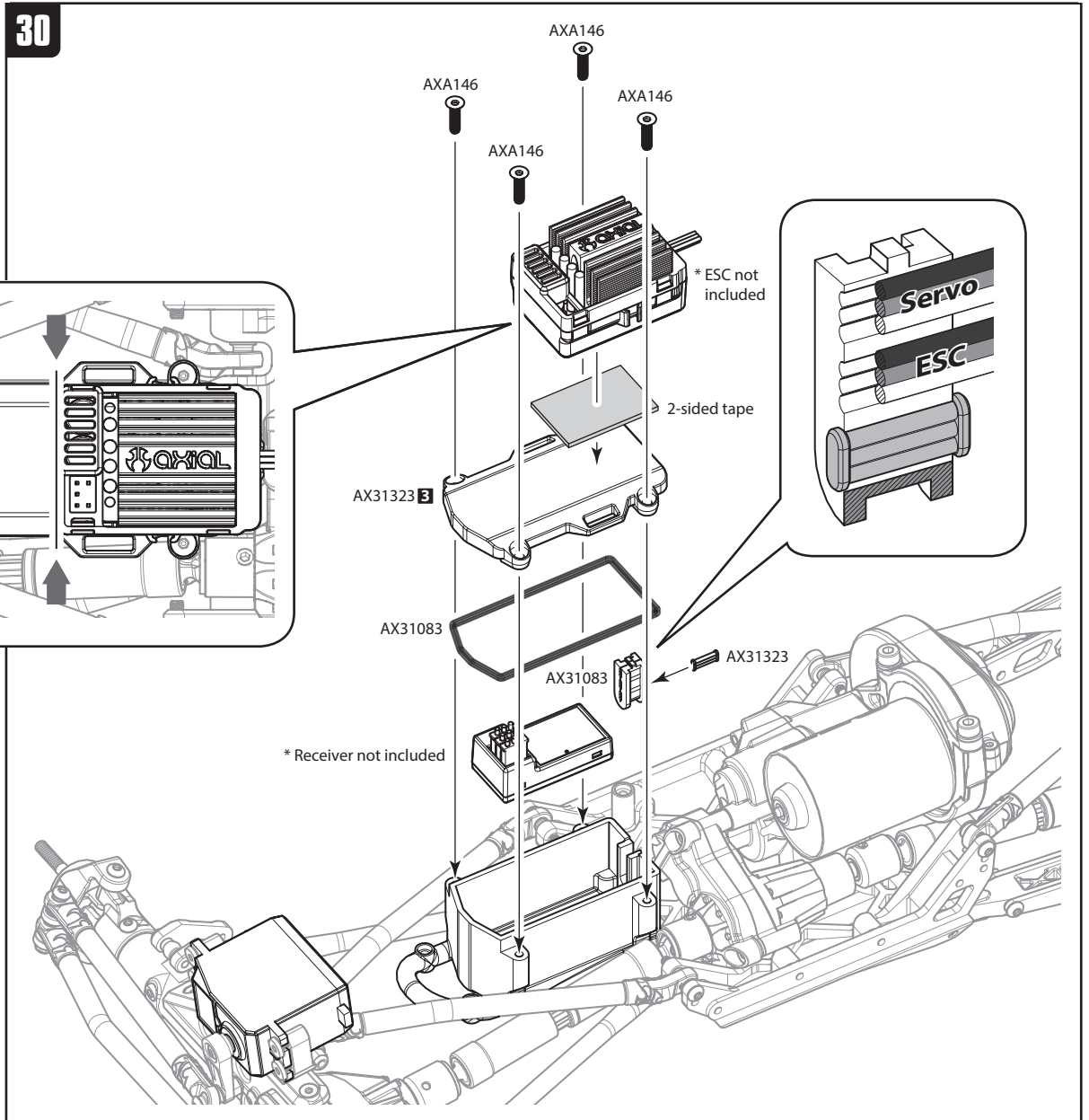
29



AXA146
M3x12mm Hex Socket Flat Head

x4

30

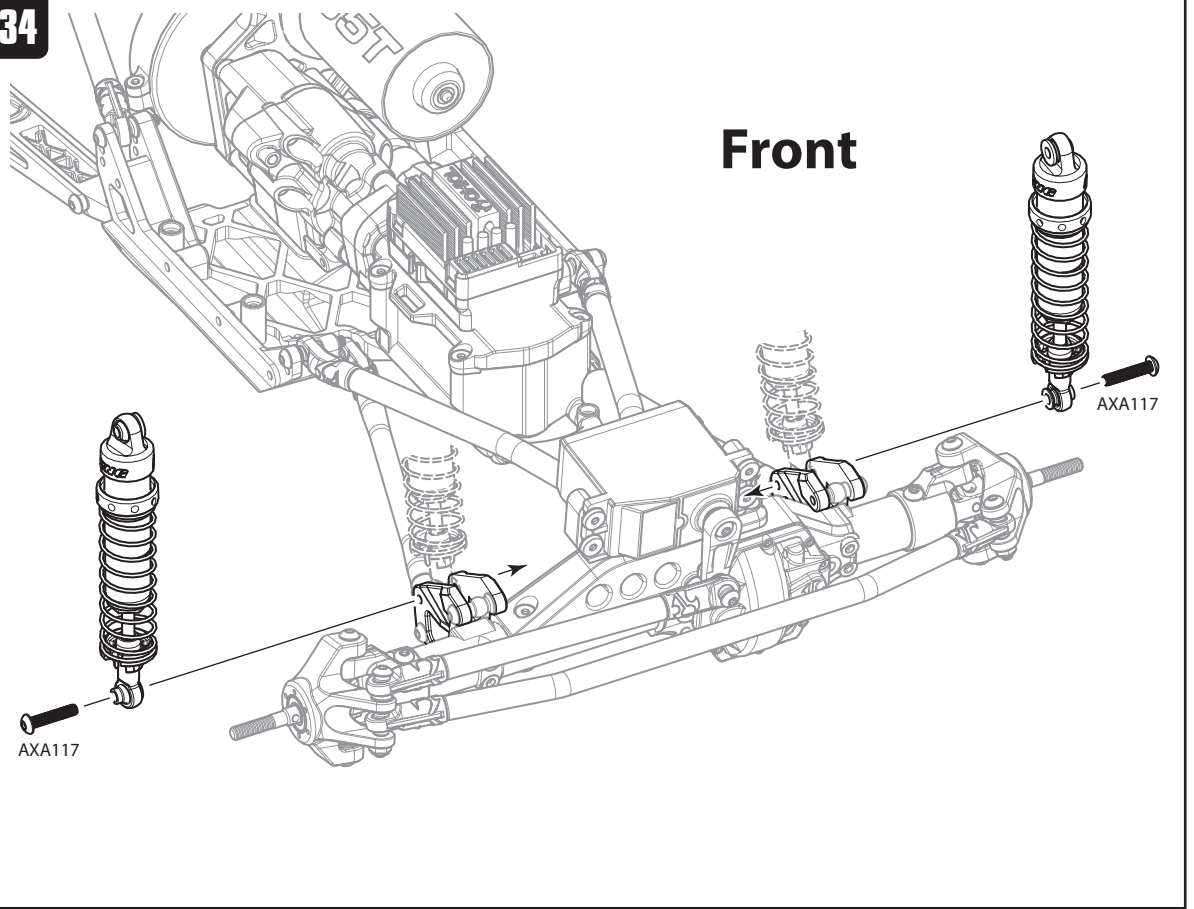




AXA117
M3x15mm Hex Socket Button Head

x2

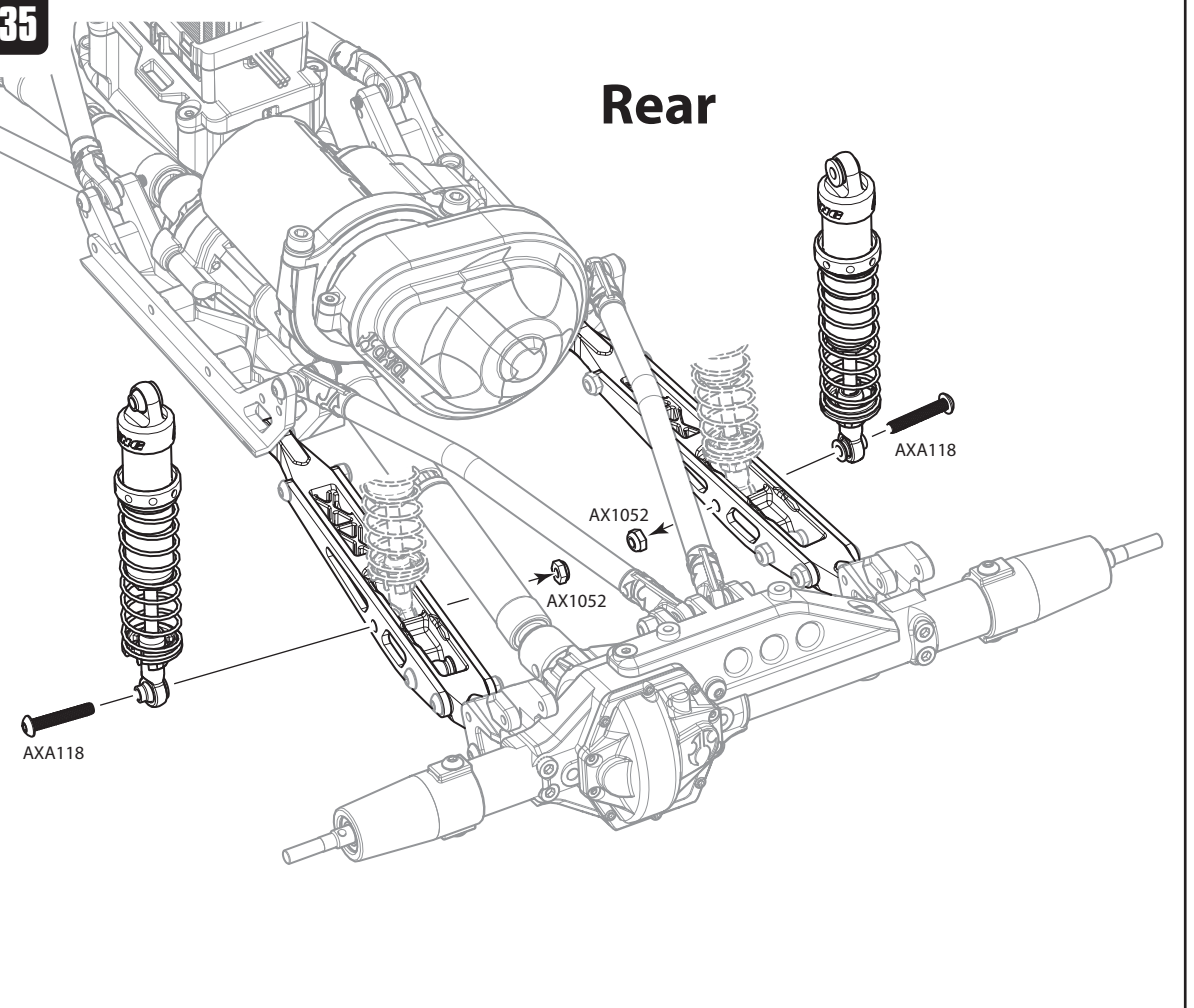
34



AXA118
M3x18mm Hex Socket Button Head

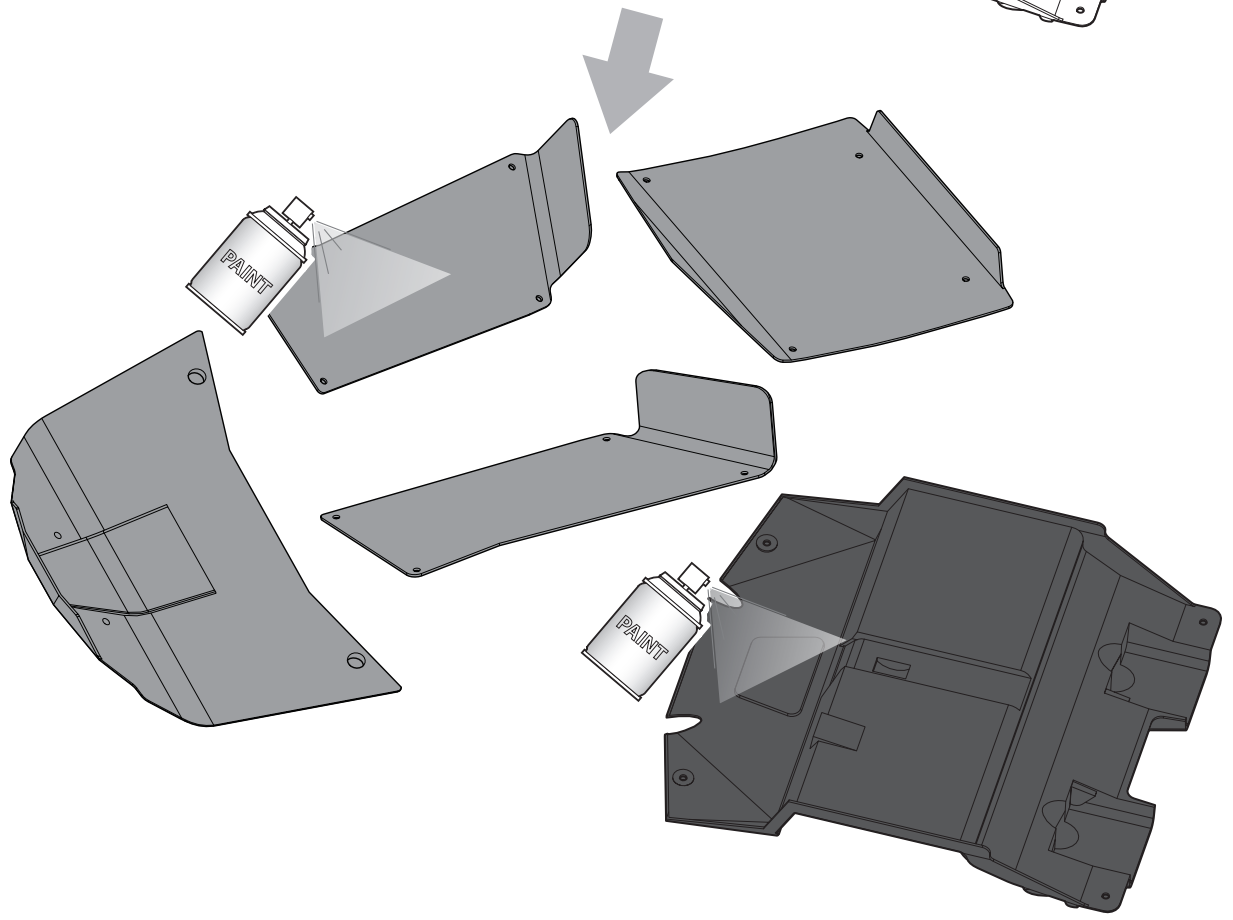
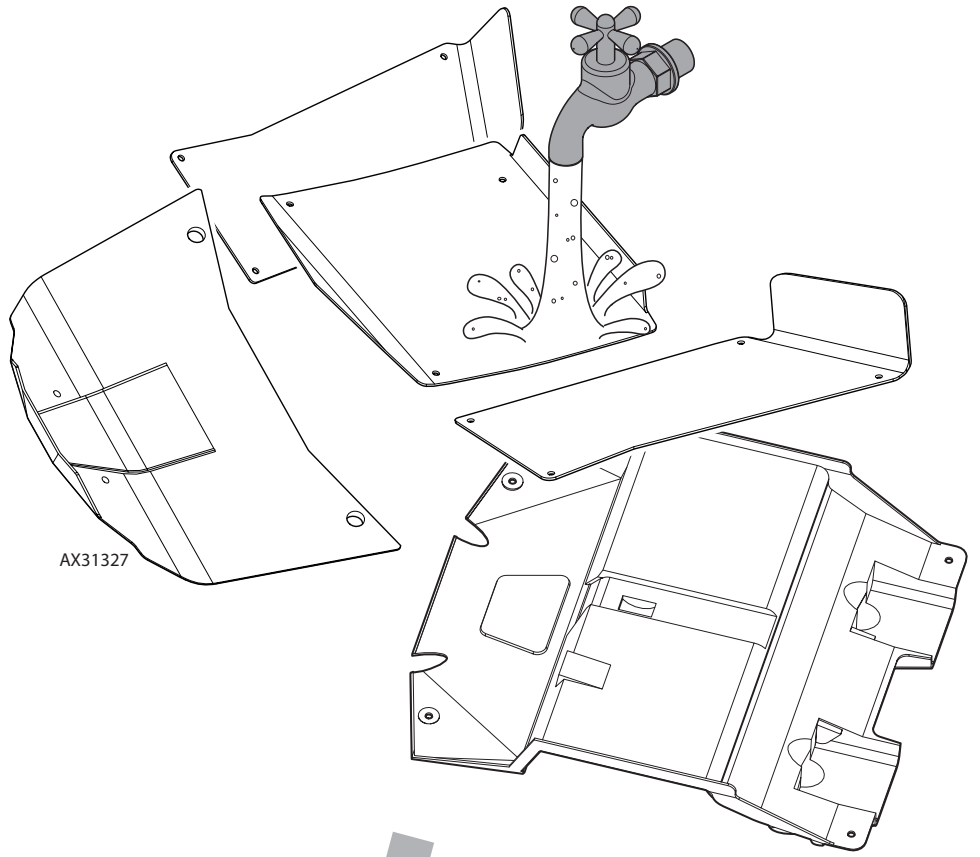
x2

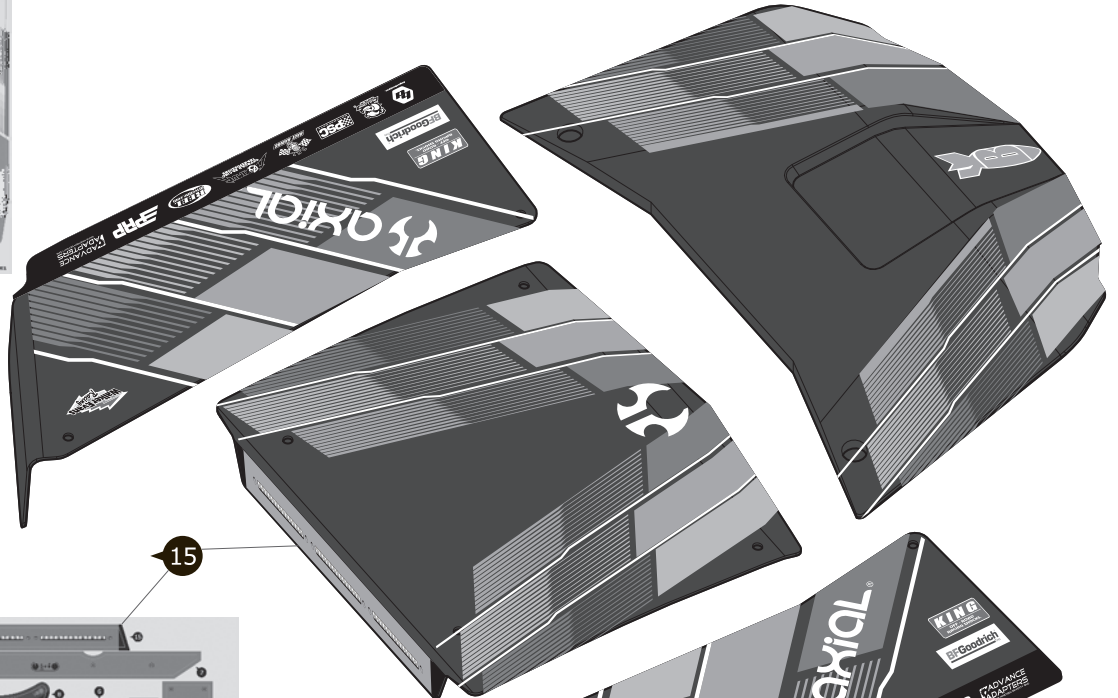
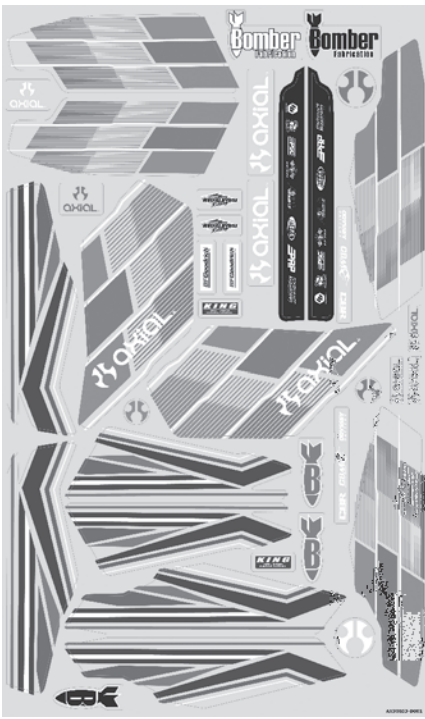
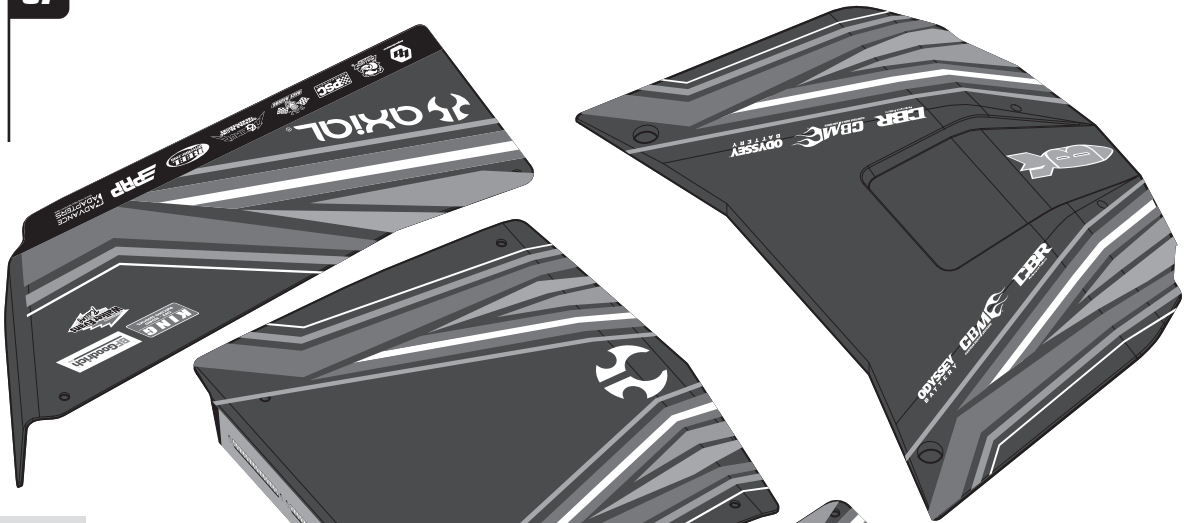
35



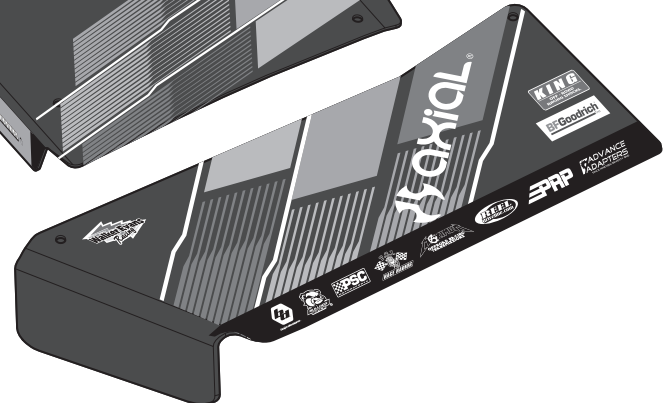
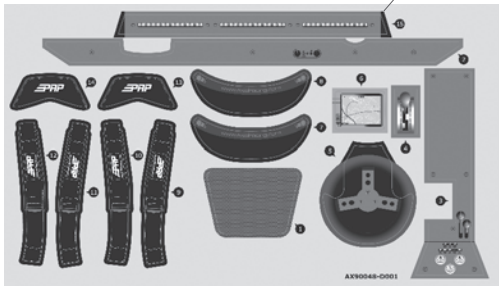
AXA1052
M3 Thin Nylon Locking Hex Nut (BLACK)

x2





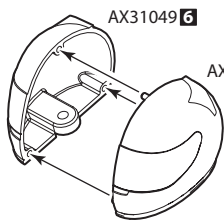
15



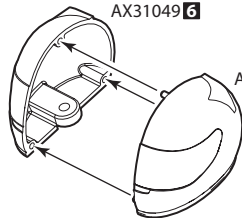
E Open Bag E

3 Open Plastic Bag 3

38



AX31049 **5**



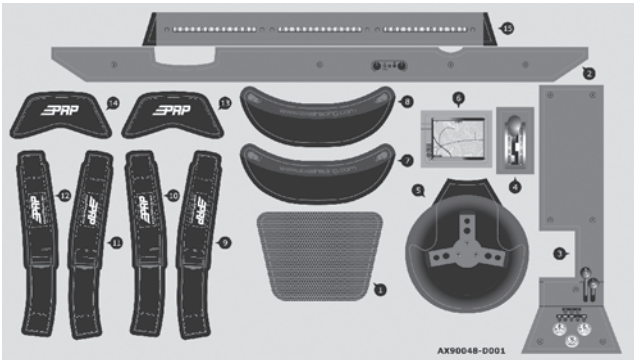
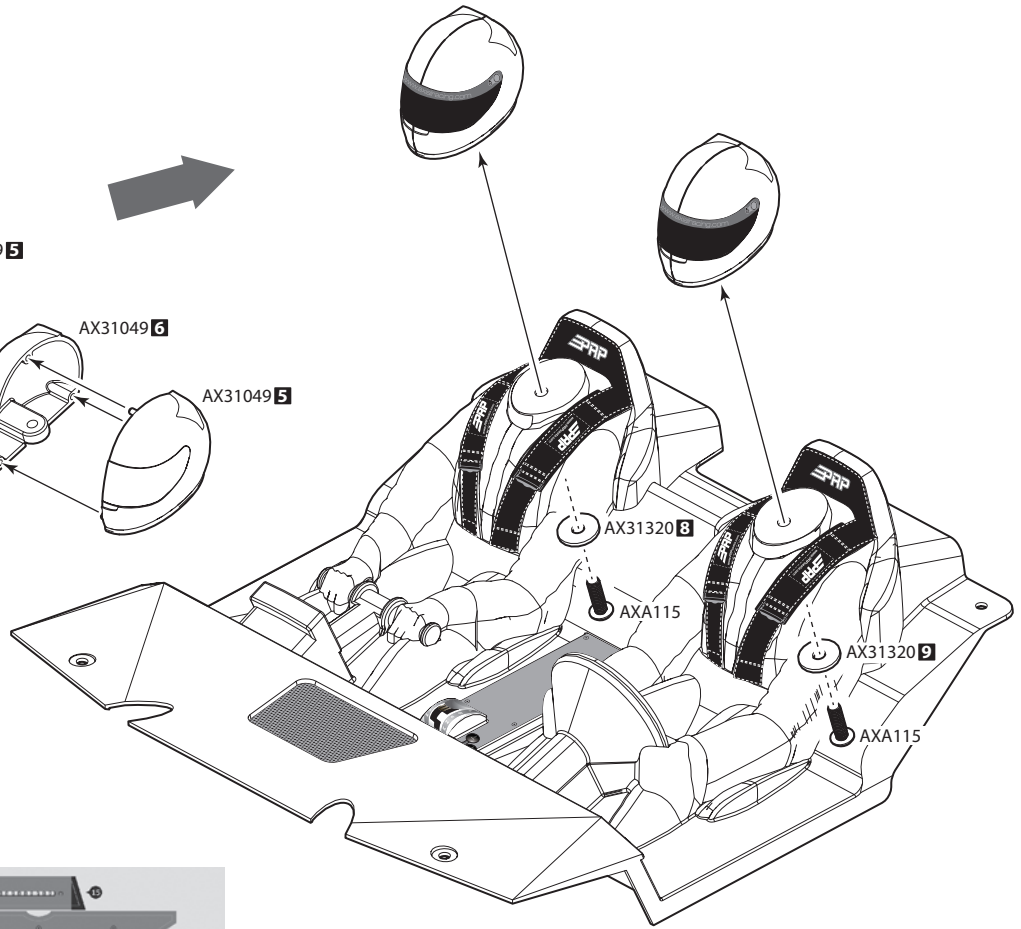
AX31049 **6**

AX31049 **5**

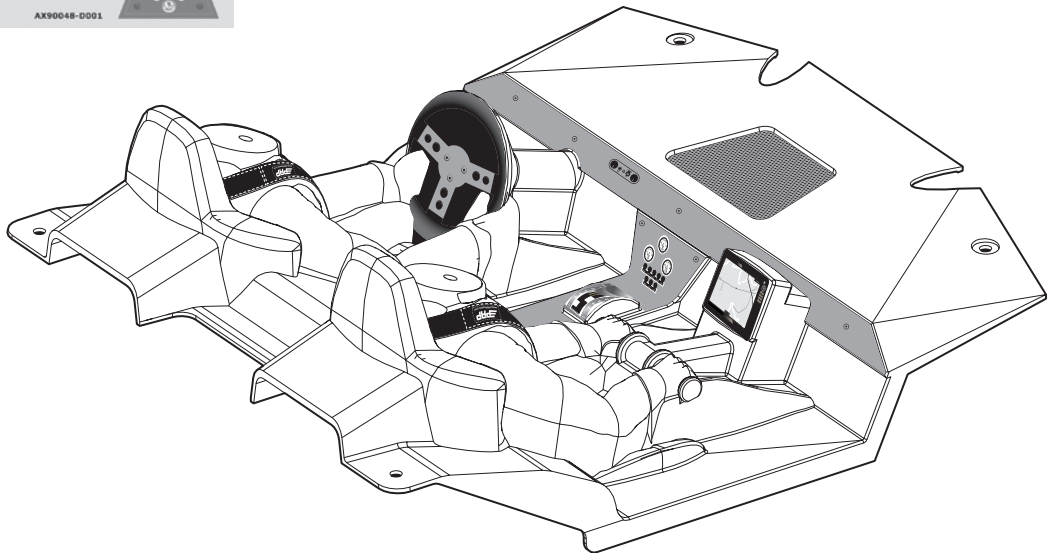


AXA115
M3x10mm Hex Socket Button Head

x2



AX9048-D001

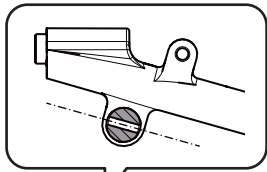




AXA114
M3x8mm Hex Socket Button Head **x2**



AXA117
M3x15mm Hex Socket Button Head **x4**



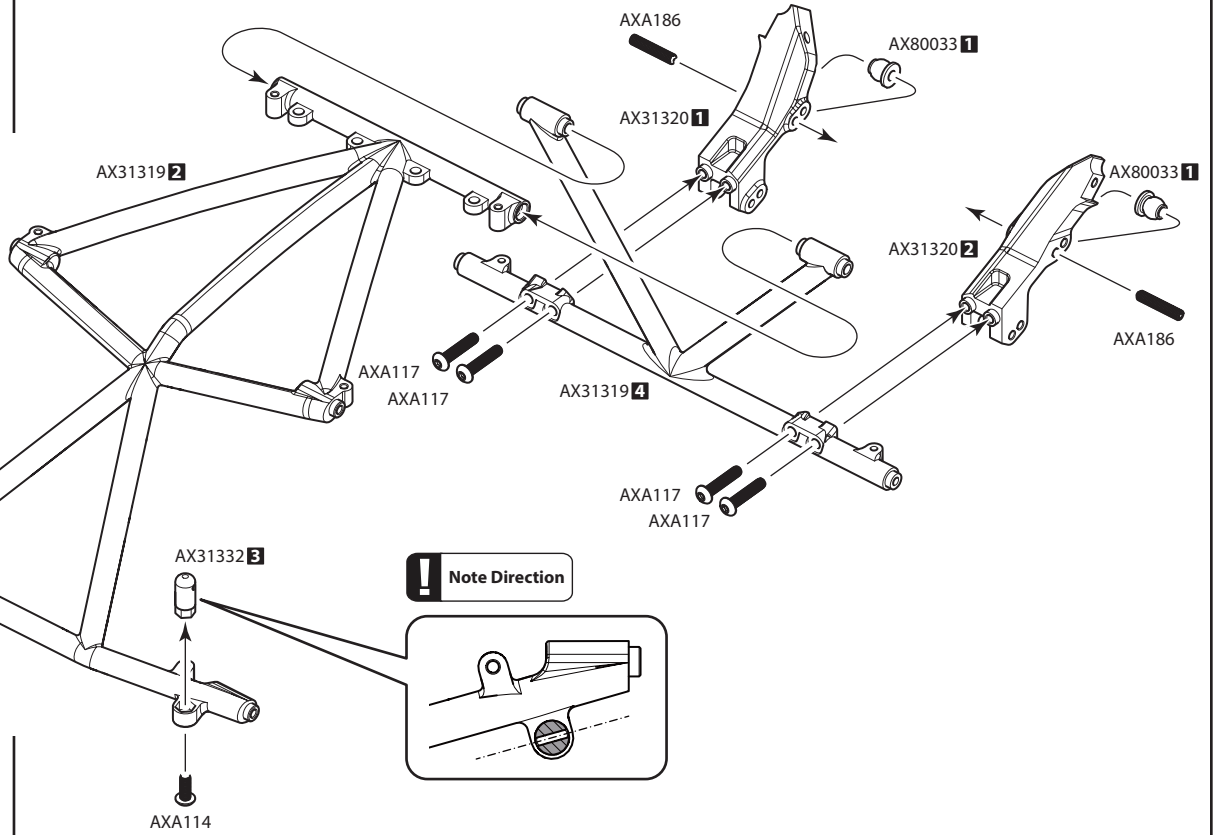
AX31332 **3**

AXA114



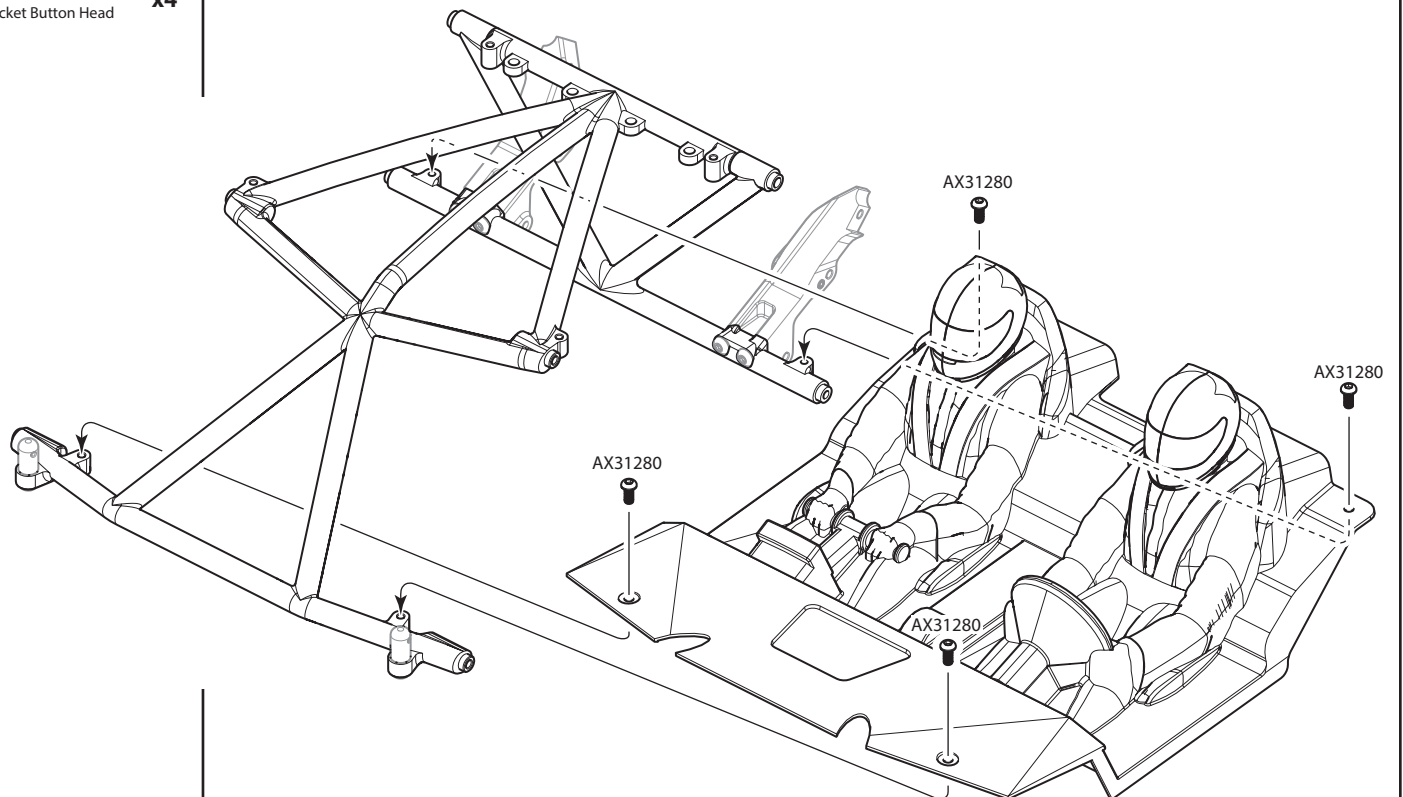
AXA186
Set Screw M3x16mm **x2**

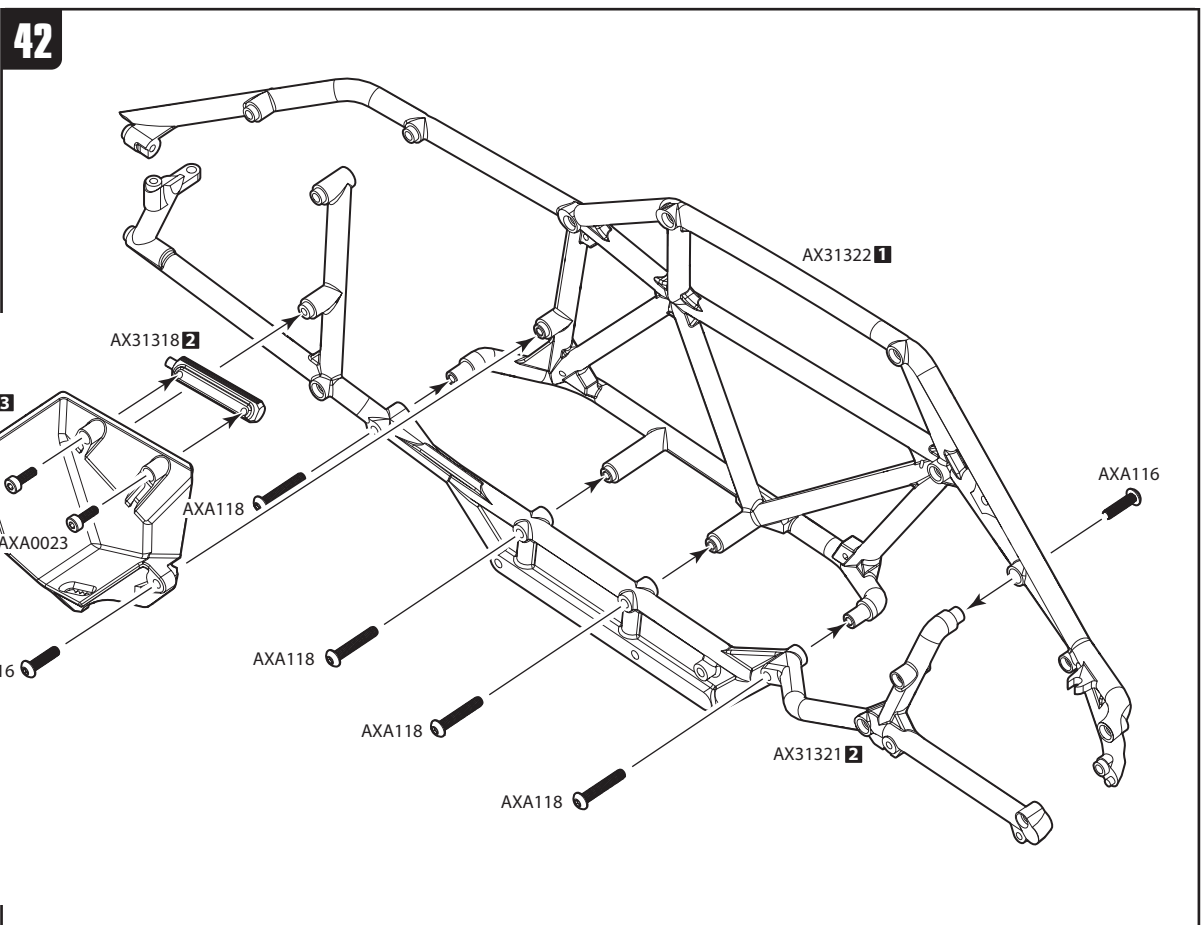
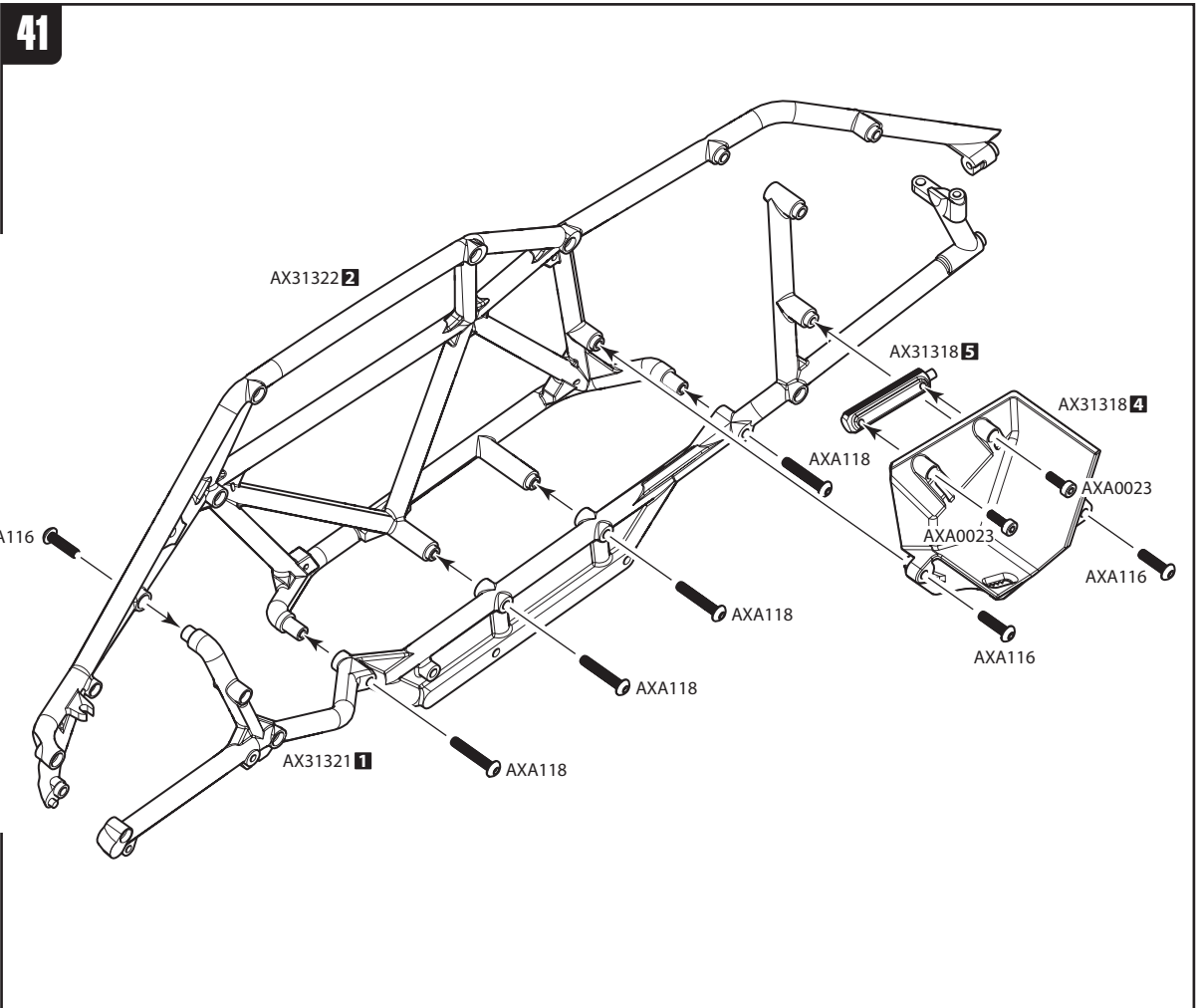
39



AX31280
M2.6x6mm Hex Socket Button Head **x4**

40







AXA186
Set Screw M3x16mm **x2**



AXA115
M3x10mm Hex Socket Button Head **x2**



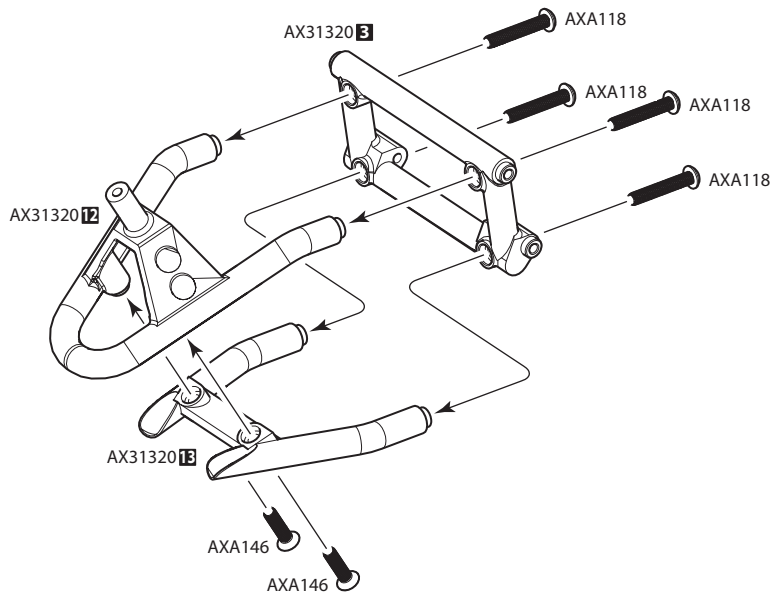
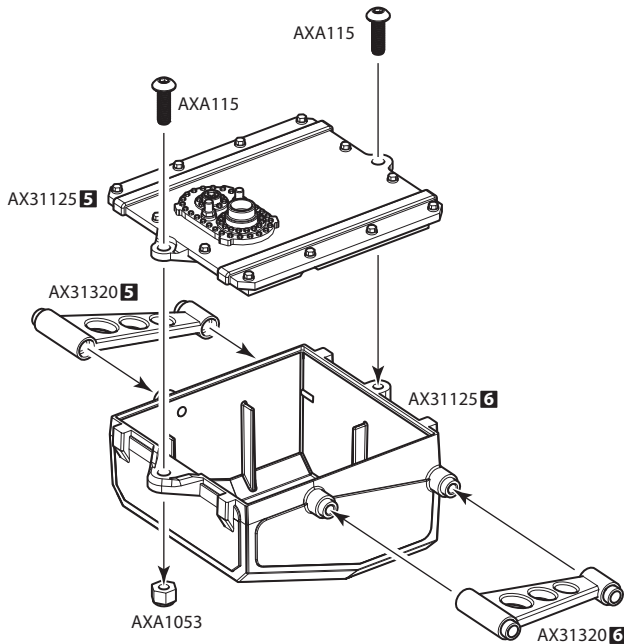
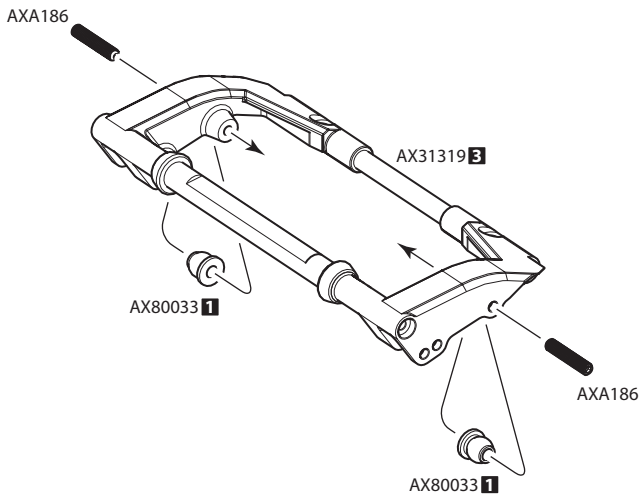
AXA118
M3x18mm Hex Socket Button Head **x4**



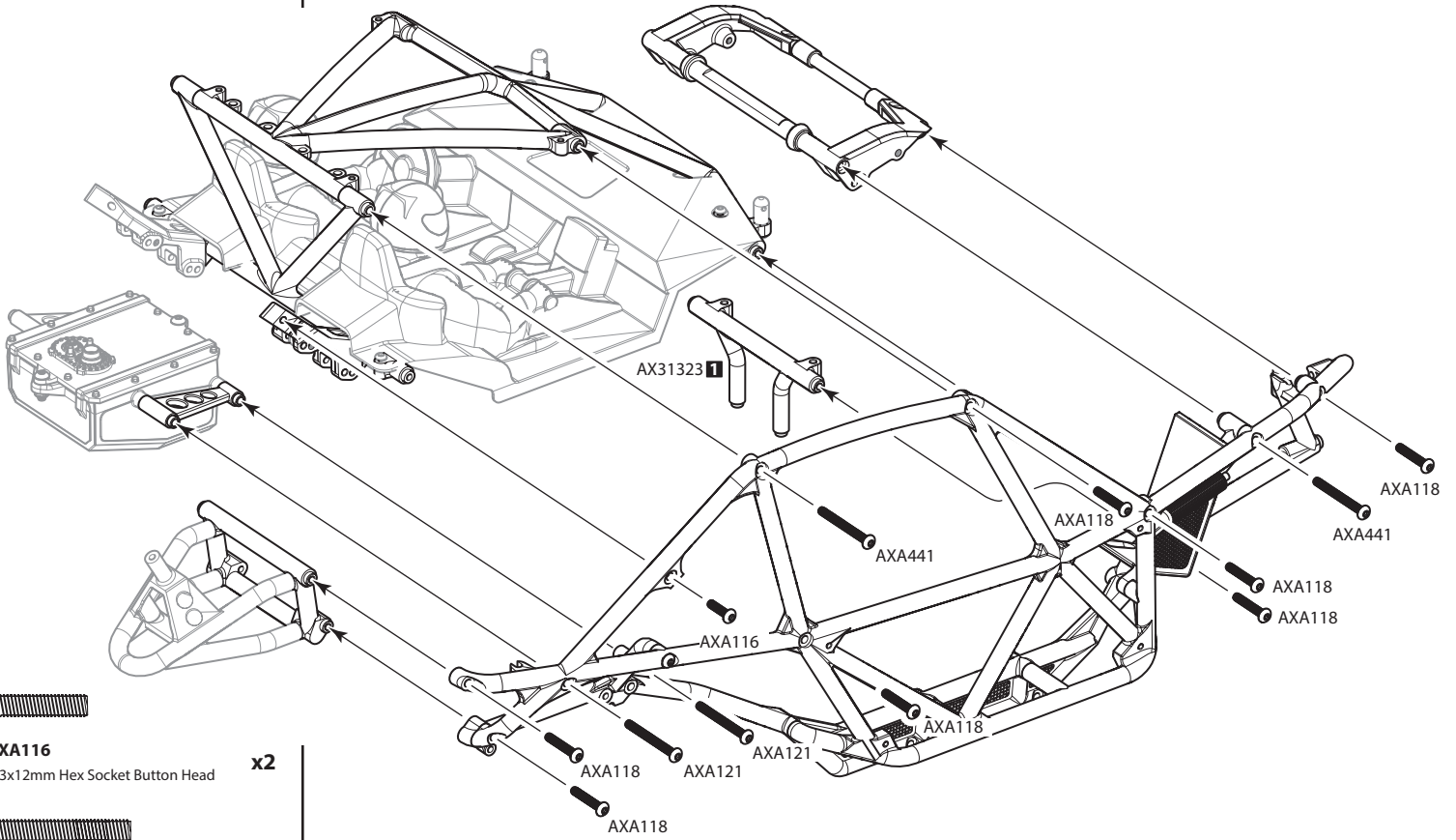
AXA146
M3x12mm Hex Socket Flat Head **x2**



AXA1053
M3 Nylon Locking Hex Nut (BLACK) **x1**



44



AXA116
M3x12mm Hex Socket Button Head **x2**



AXA118
M3x18mm Hex Socket Button Head **x14**

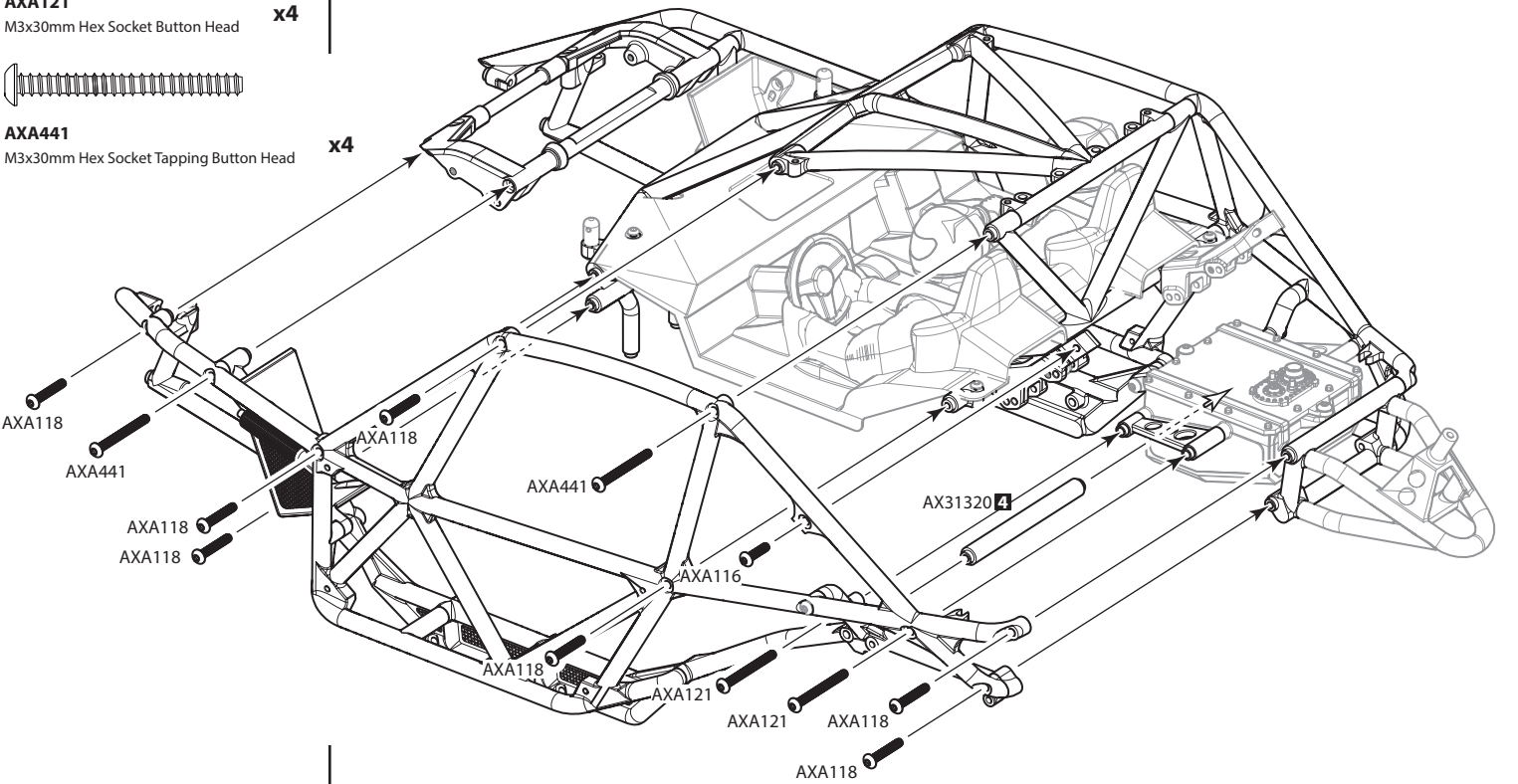


AXA121
M3x30mm Hex Socket Button Head **x4**



AXA441
M3x30mm Hex Socket Tapping Button Head **x4**

45



AXA118

AXA441

AXA118

AXA118

AXA441

AX31320

AXA116

AXA118

AXA121

AXA121

AXA118

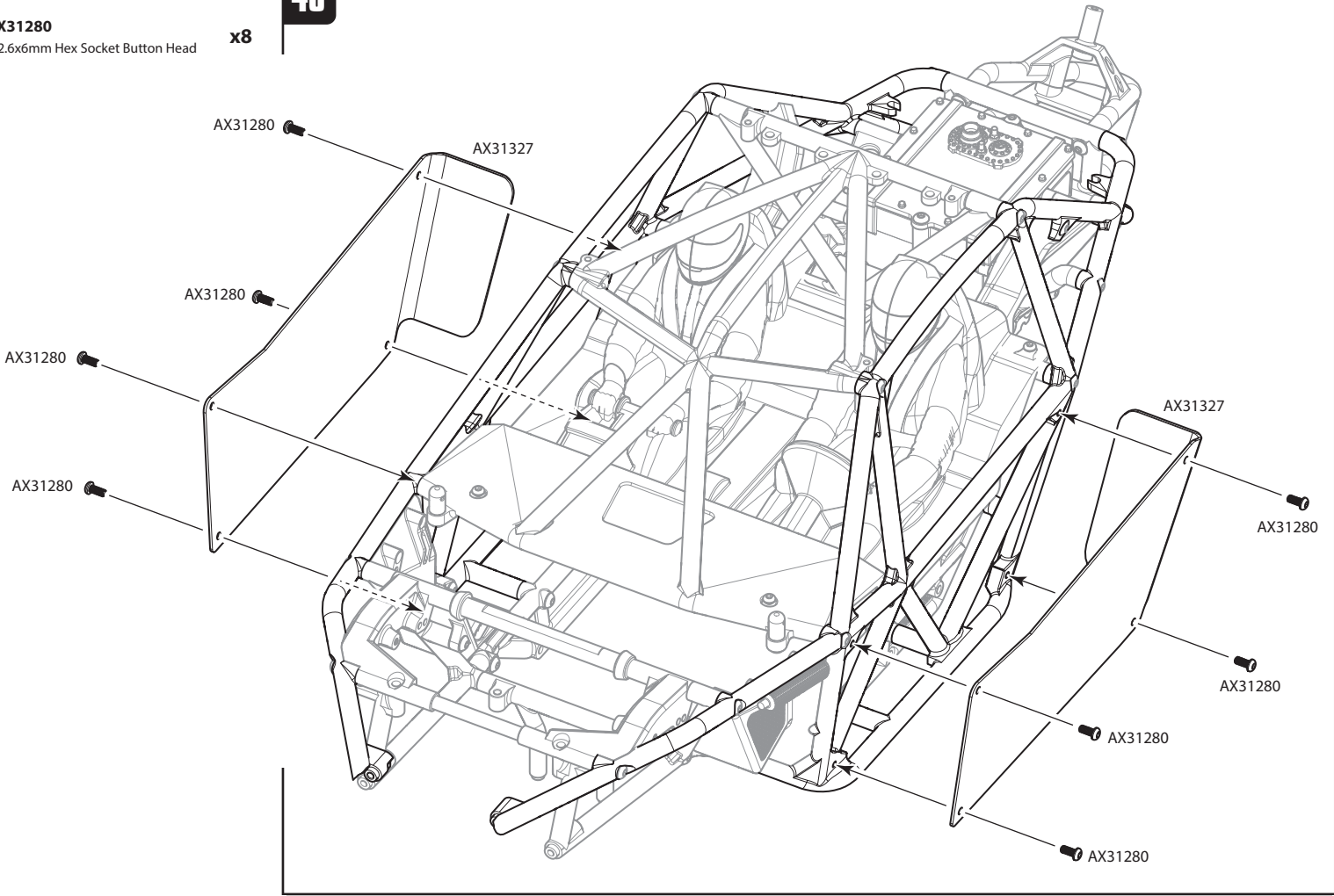
AXA118



AX31280
M2.6x6mm Hex Socket Button Head

x8

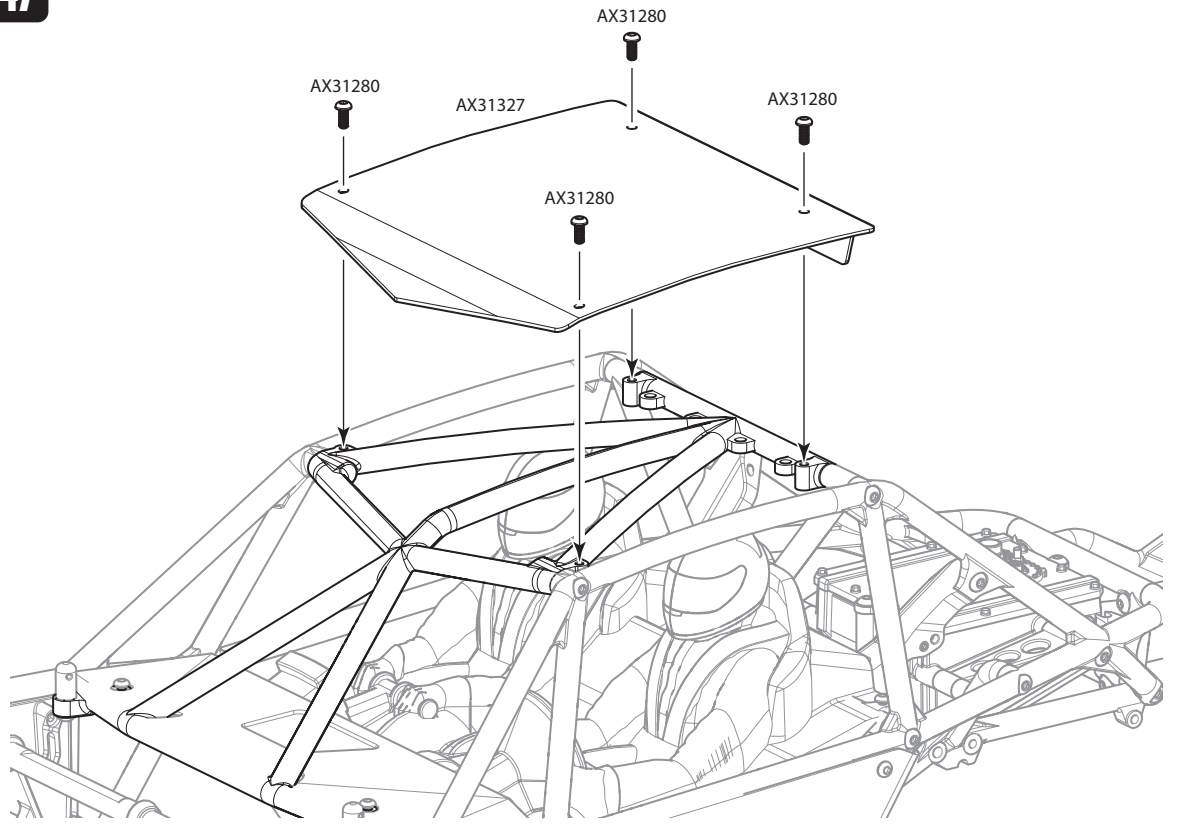
46



AX31280
M2.6x6mm Hex Socket Button Head

x4

47





AXA116
M3x12mm Hex Socket Button Head

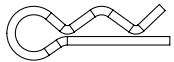
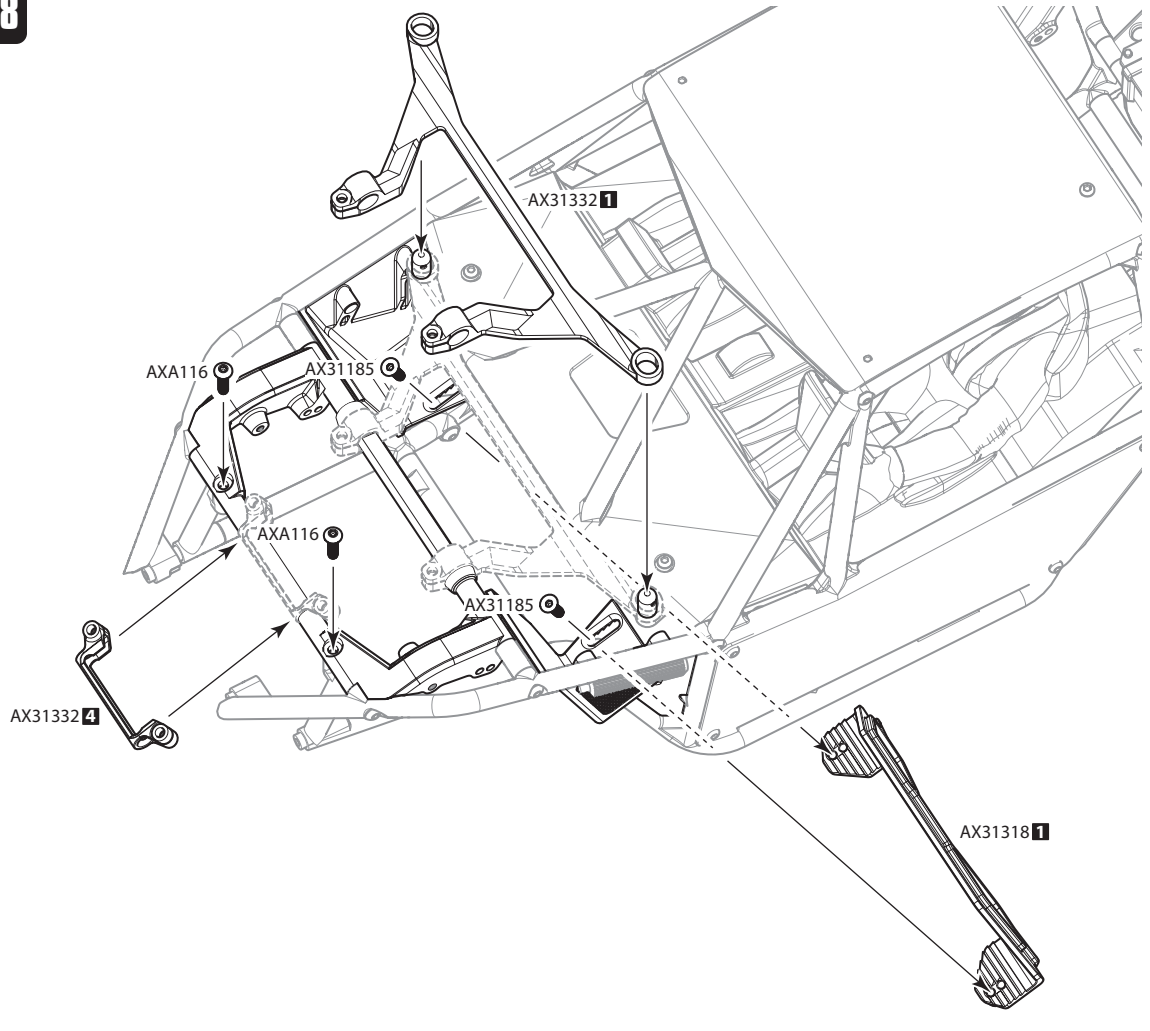
x2



AX31185
M3x10mm Hex Socket Flat Head

x2

48



AXA1059
6mm Body Clip

x2



AXA114
M3x8mm Hex Socket Button Head

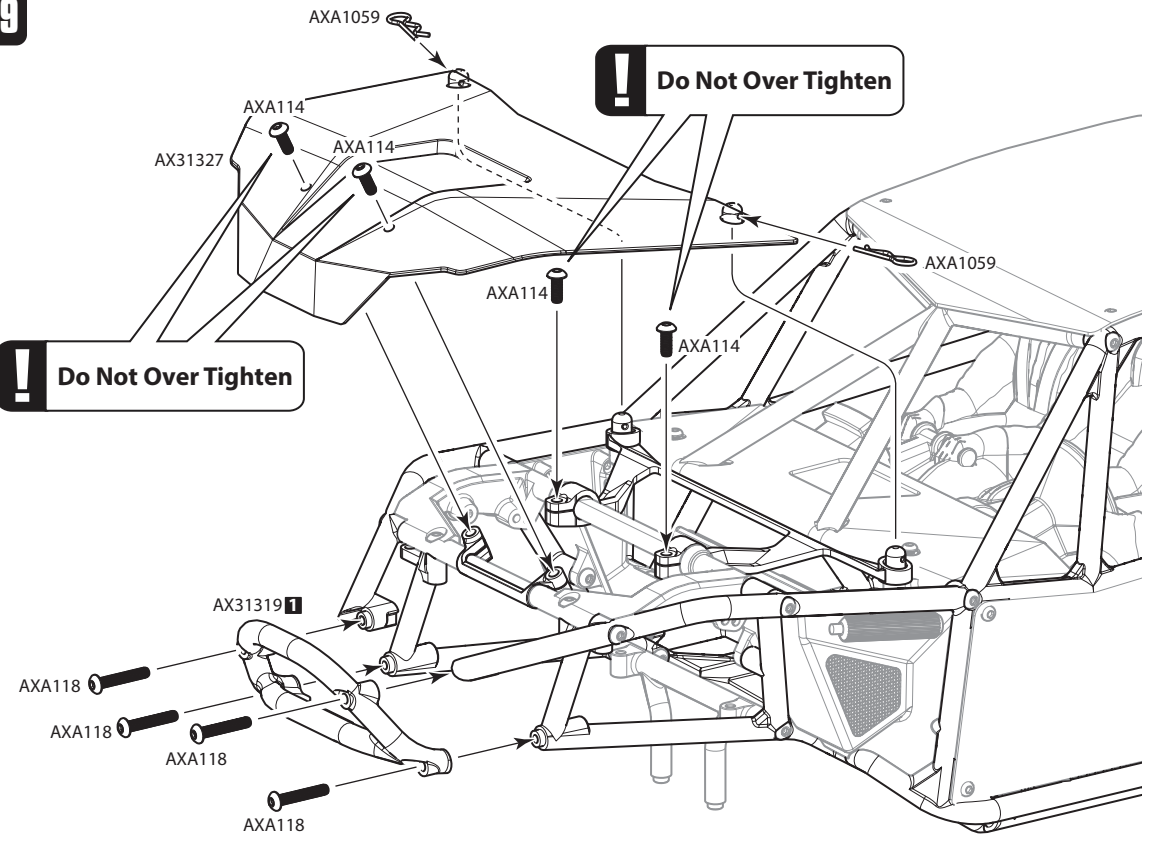
x4



AXA118
M3x18mm Hex Socket Button Head

x4

49



F

Open Bag F

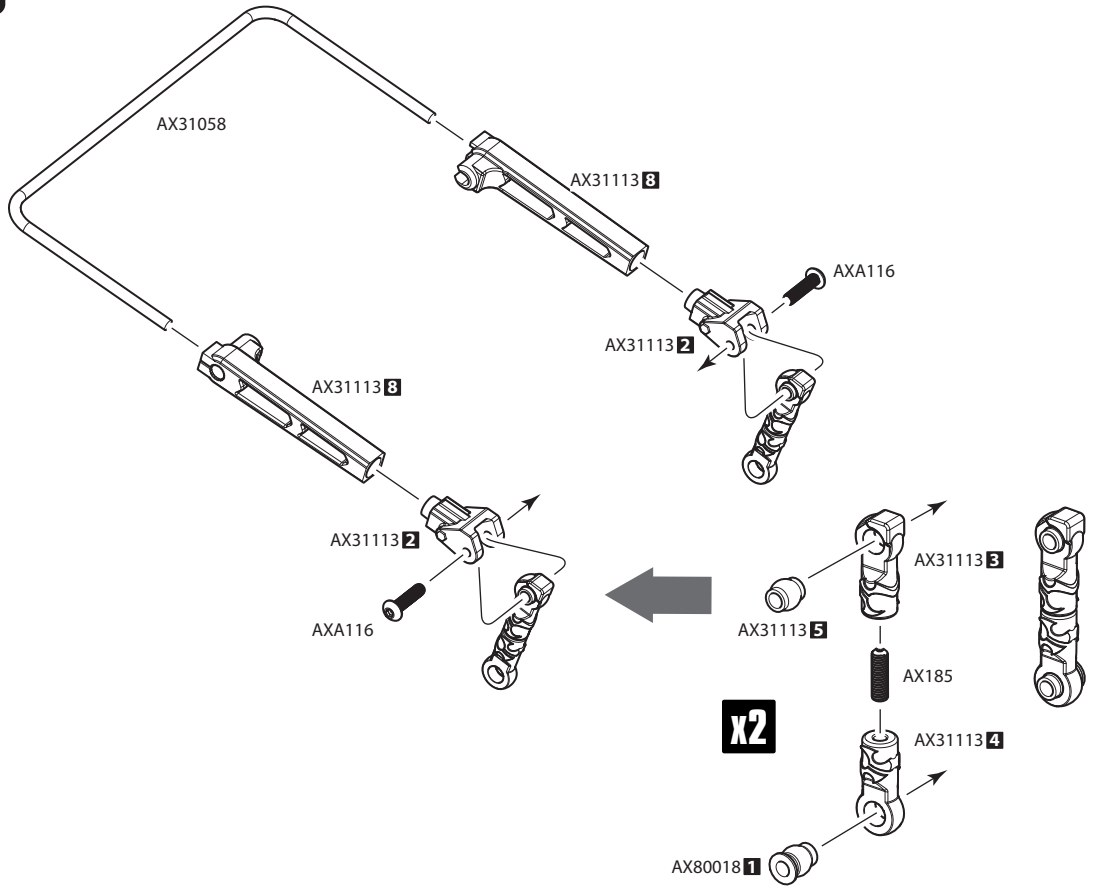
50



AXA116
M3x12mm Hex Socket Button Head **x2**



AXA185
Set Screw M3x10mm **x2**



AXA116
M3x12mm Hex Socket Button Head **x2**

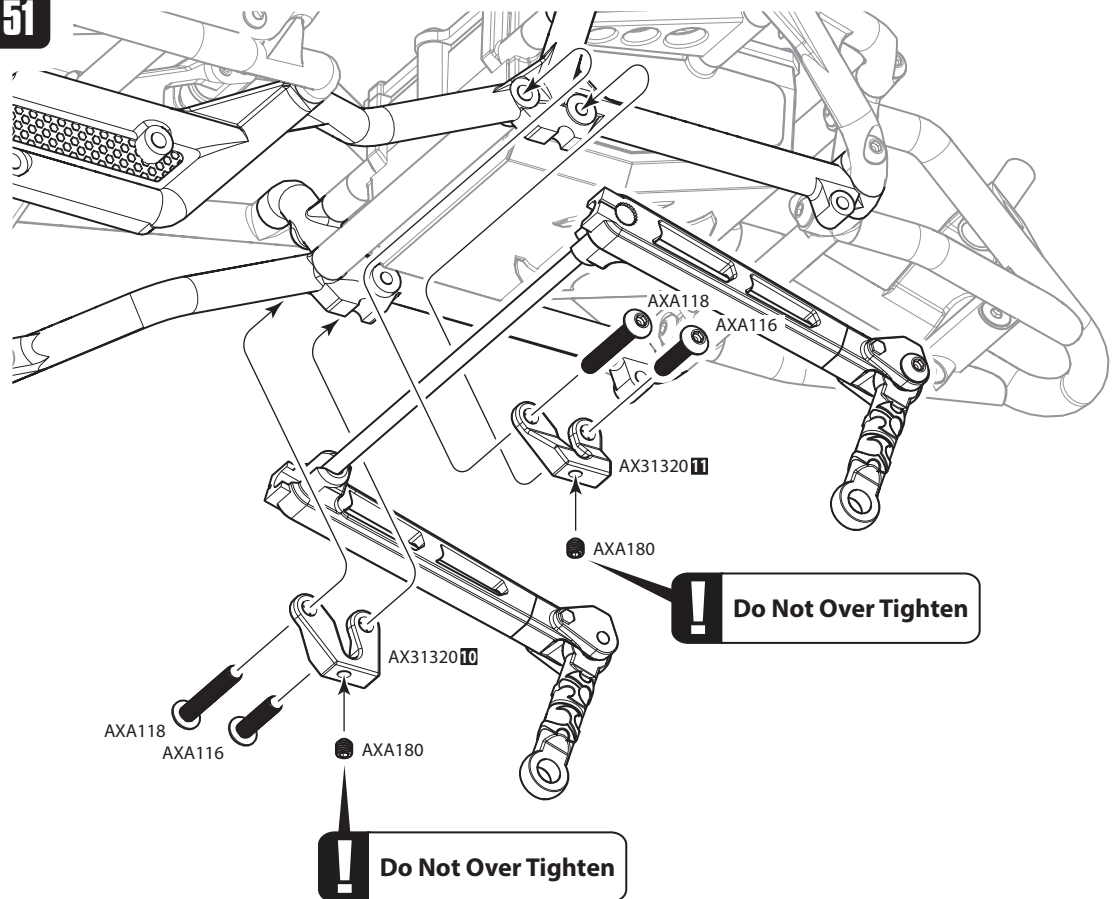


AXA118
M3x18mm Hex Socket Button Head **x2**



AXA180
M3x3mm **x2**

51

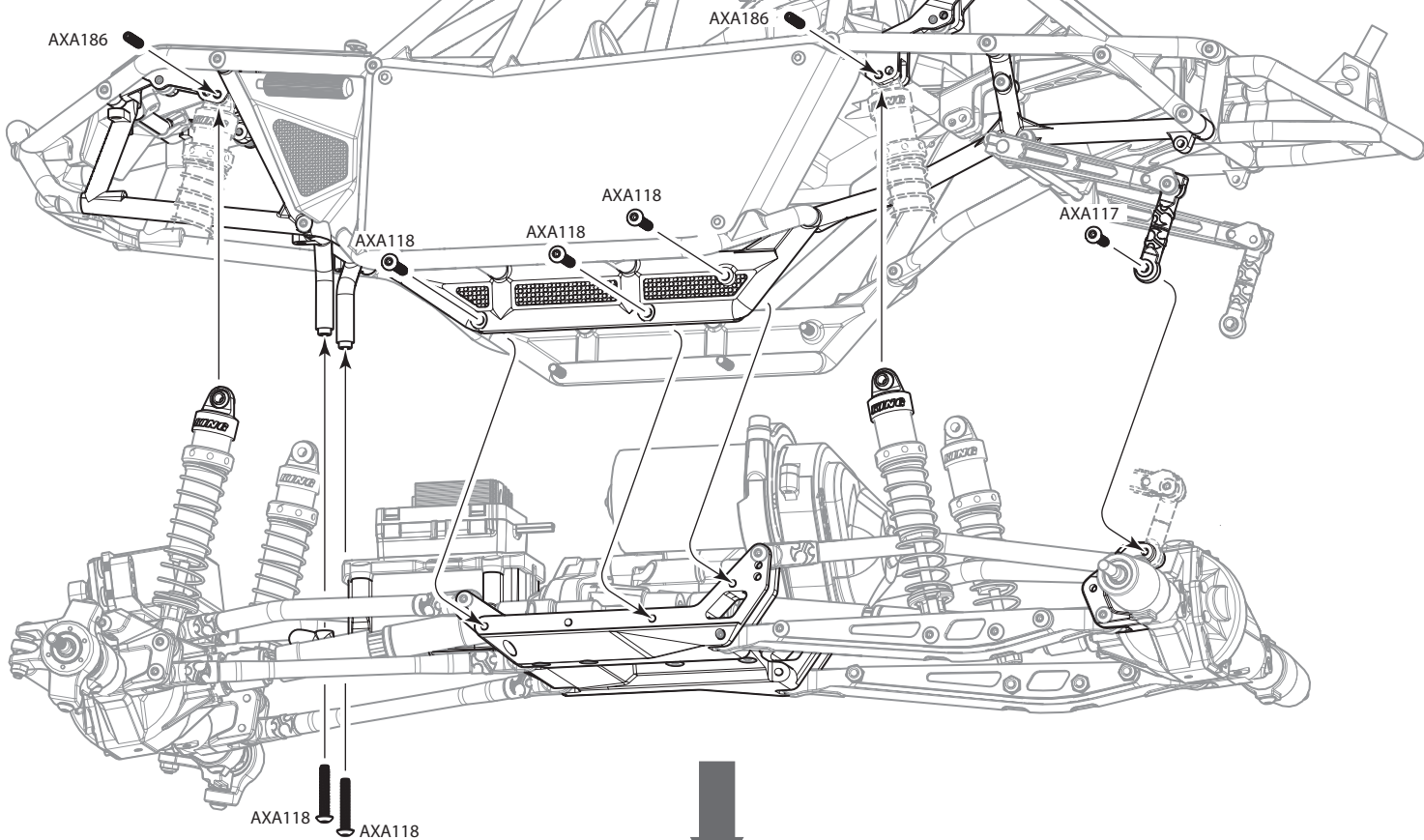




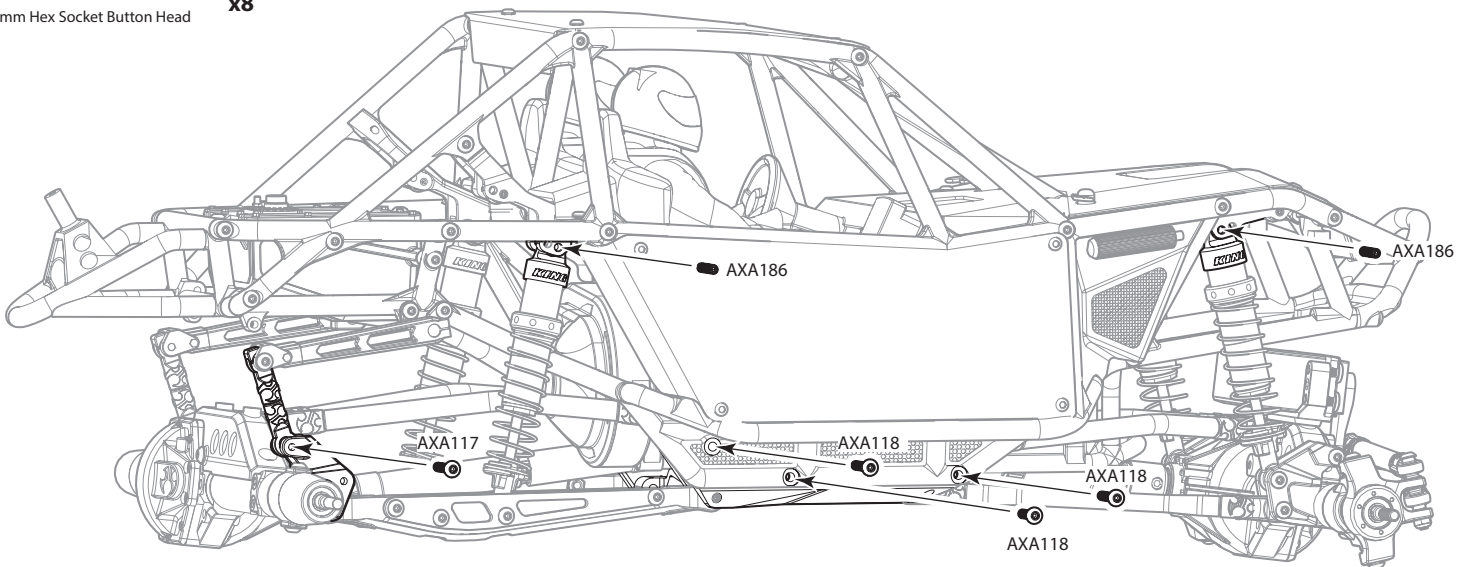
AXA186
Set Screw M3x16mm **x4**



AXA118
M3x18mm Hex Socket Button Head **x8**

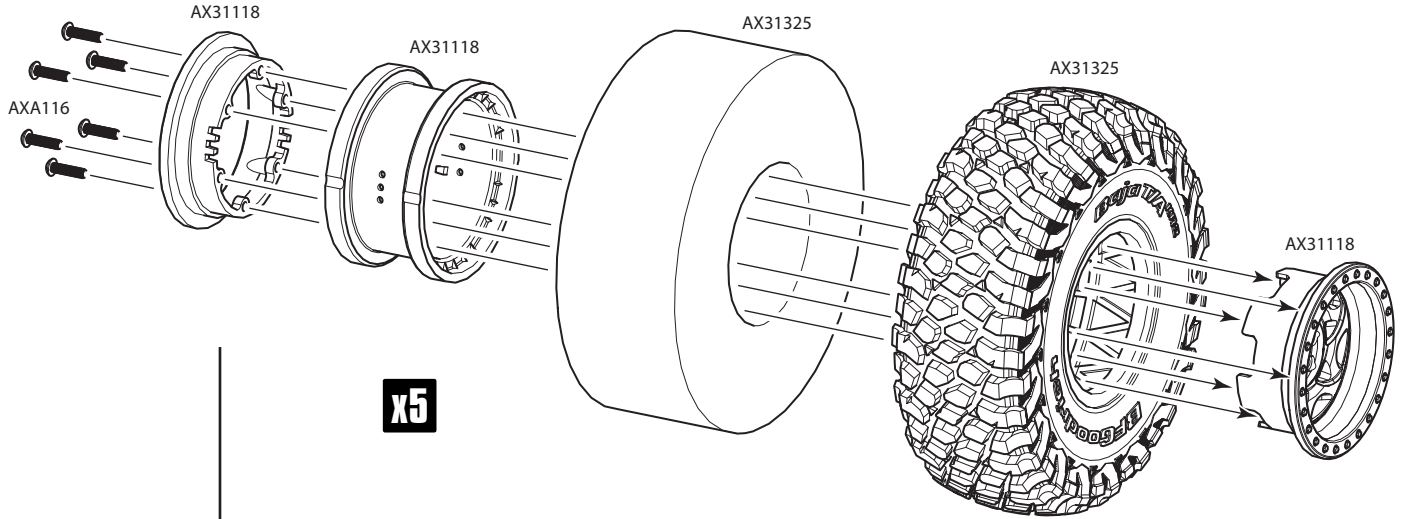


AXA117
M3x15mm Hex Socket Button Head **x8**

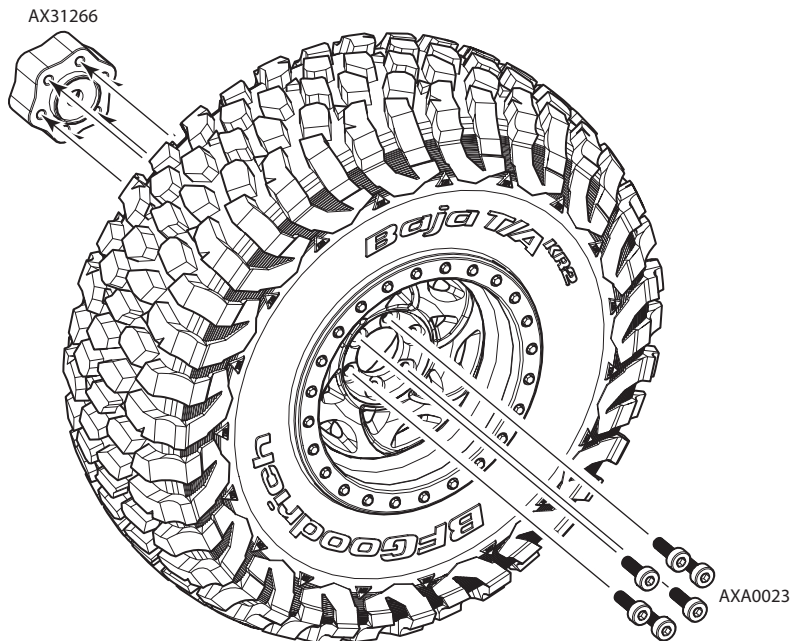


G**Open Bag G****53****AXA116**

M3x12mm Hex Socket Button Head

x30**AXA0023**

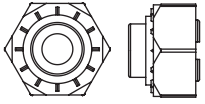
M2.6x8mm Cap Head

x24**54****x5****! Do Not Over Tighten**



AXA150
M3x25mm Hex Socket Flat Head

x1



AX30429
12mm Aluminum Hub

x4



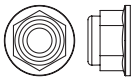
AXA180
M3x3mm

x4



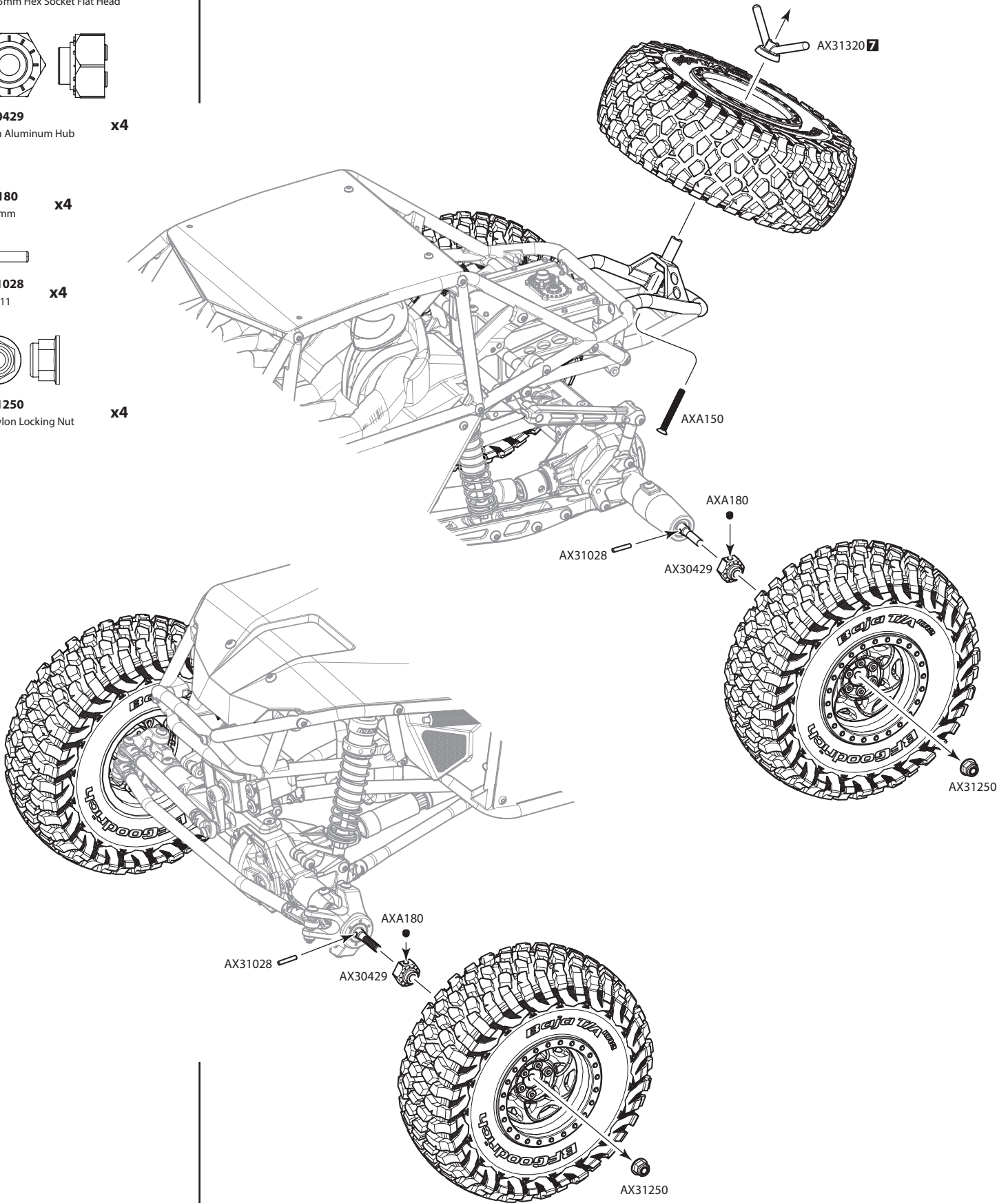
AX31028
Pin 2x11

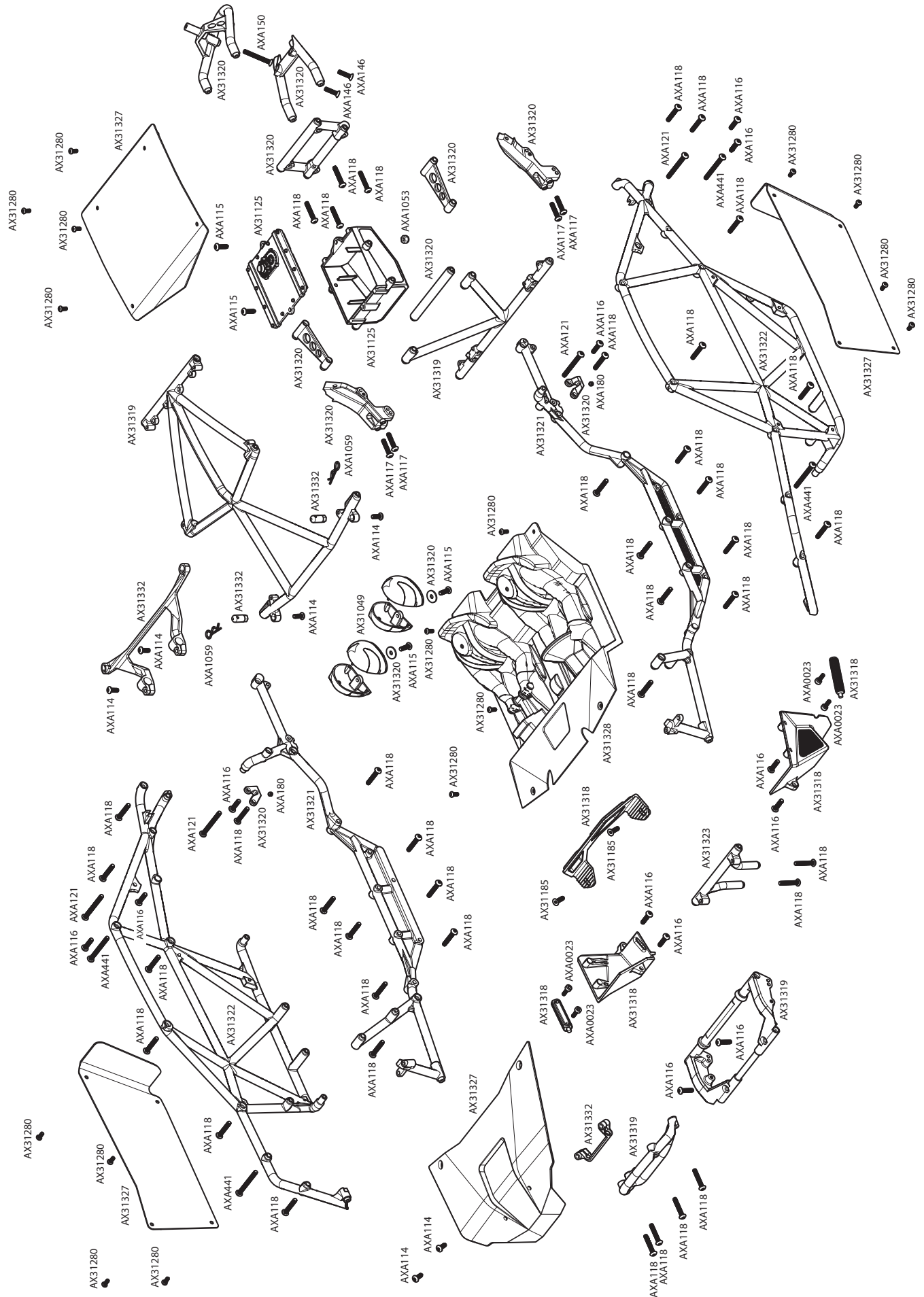
x4

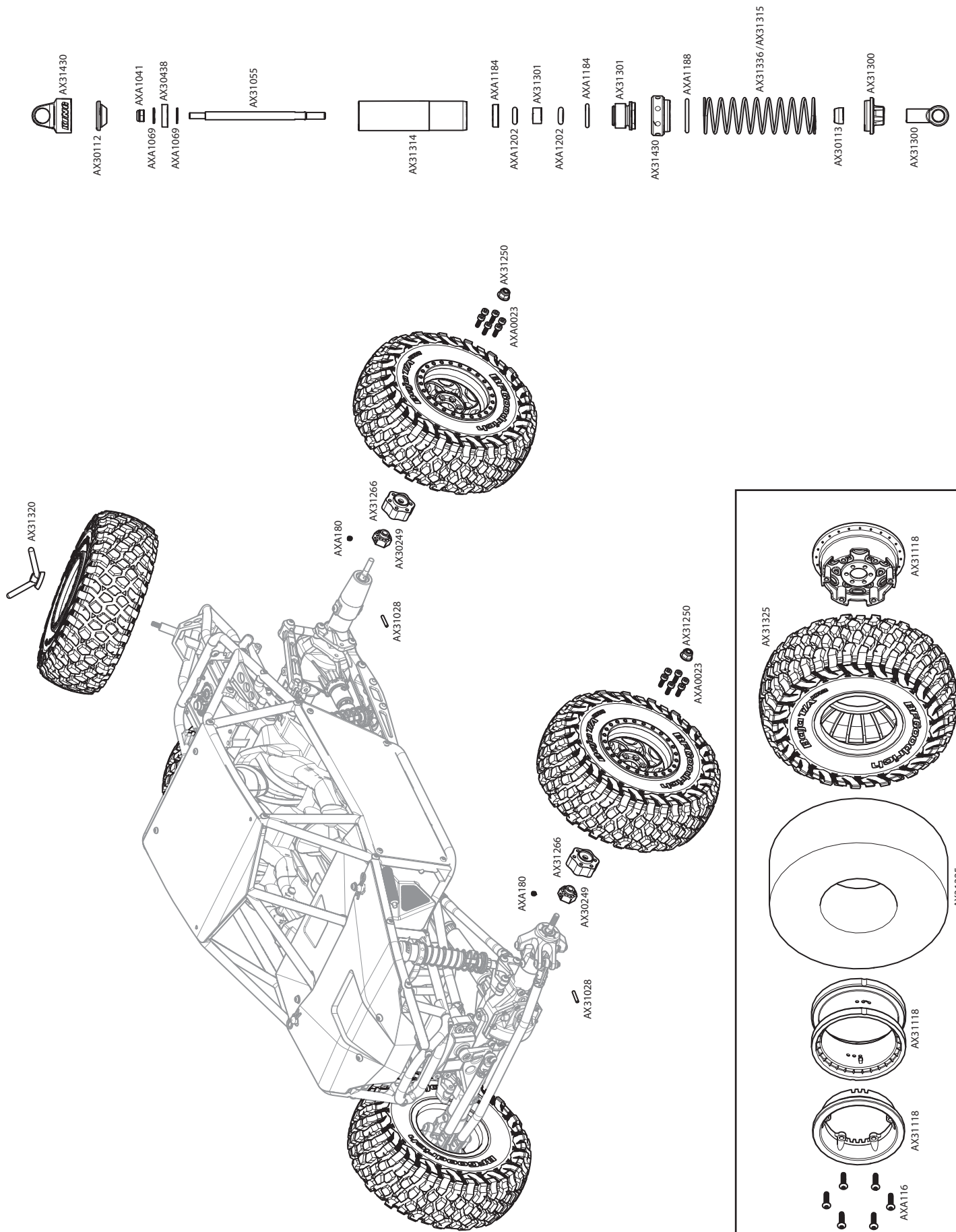


AX31250
M4 Nylon Locking Nut

x4





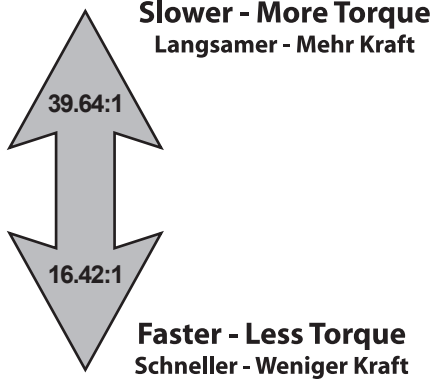


Gear Ratio / Getriebeübersetzung

Use this equation to calculate the final drive ratio.
Final Drive Gear Ratio = (Spur/Pinion)x5.67

Mit dieser Gleichung können Sie die Gesamtübersetzung berechnen.

Gesamtübersetzung = (Spur/Pinion)x5.67



32 Pitch 38T/13T (Stock Gearing AX30392 or HD AX30395)

Pinion	Spur Gear			
	56	60	64	68
11	28.85	30.91	32.97	35.03
12	26.44	28.33	30.22	32.11
13	24.41	26.15	27.90	29.64
14	22.67	24.88	25.90	27.52
15	21.15	22.67	24.18	25.69
16	19.83	21.25	22.67	24.08
17	18.67	20.00	21.33	22.67

32 Pitch 36T/14T (Overdrive HD Gearing AX30401)

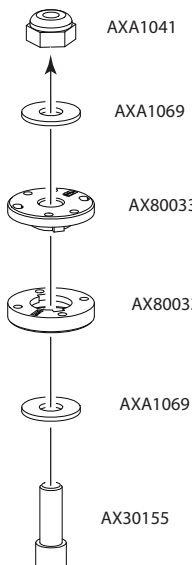
Pinion	Spur Gear			
	56	60	64	68
11	25.38	27.19	29.00	30.81
12	23.26	24.92	26.58	28.25
13	21.47	23.01	24.54	26.07
14	19.94	21.36	21.94	22.60
15	19.61	19.94	21.27	22.60
16	17.45	18.69	19.94	21.18
17	16.42	17.59	18.77	19.94

32 Pitch 43T/13T (Underdrive HD Gearing AX30402)

Pinion	Spur Gear			
	56	60	64	68
11	32.64	34.97	37.31	39.64
12	29.92	32.06	34.20	36.33
13	27.62	29.59	31.57	33.54
14	25.65	27.48	29.31	31.14
15	23.94	25.65	27.36	29.07
16	22.44	24.04	25.65	27.25
17	21.12	22.63	24.14	25.65

Shock Tuning / Stosdämpferabstimmung

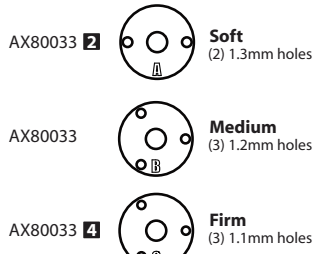
Installation



Pistons

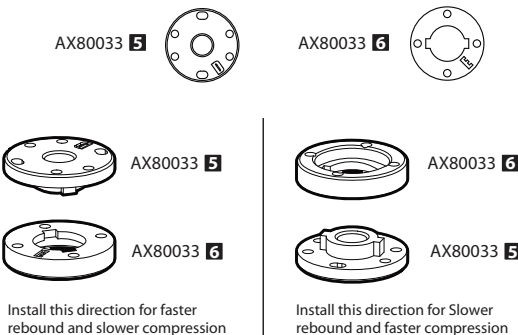
Standard Pistons

Provides the same dampening rate on both compression and extension



Variable Rate Pistons

Provides a different dampening rate depending on which direction you install.



Springs/Oil



Springs

Depending on the application you may want a firmer spring than what is included. Selecting a spring rate is based on each vehicles weight and handling and usually will require some trial and error.

For rock crawling applications it is recommended to use a stiffer spring on which ever corner is exhibiting torque twist.

Oil

Oils are another element you can use to tune the handling of your vehicle. You want an oil that allows the vehicle to handle the terrain well, but not too thin as to exhibit a springy bounce while driving.

We recommend starting with a good 30 wt. silicone oil. If you are looking for a faster rebound/compression rate use a lower weight oil. If you are looking for a slower rebound compression rate use a higher weight oil.

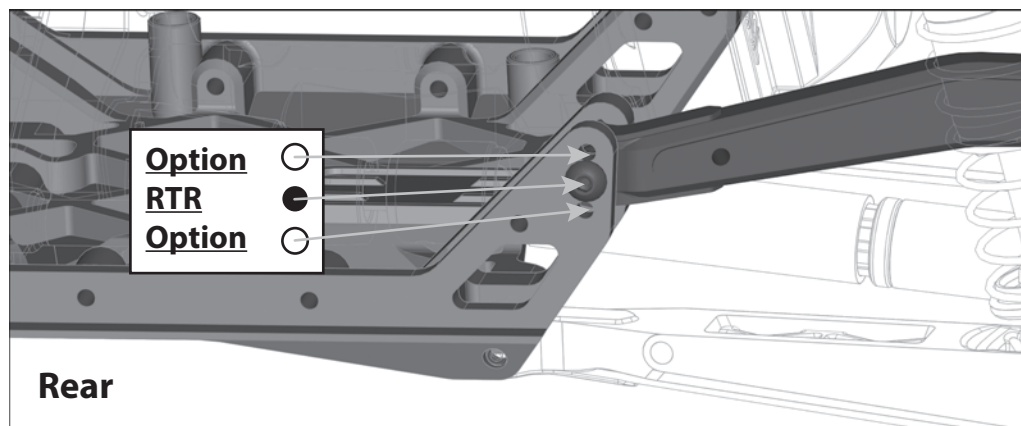
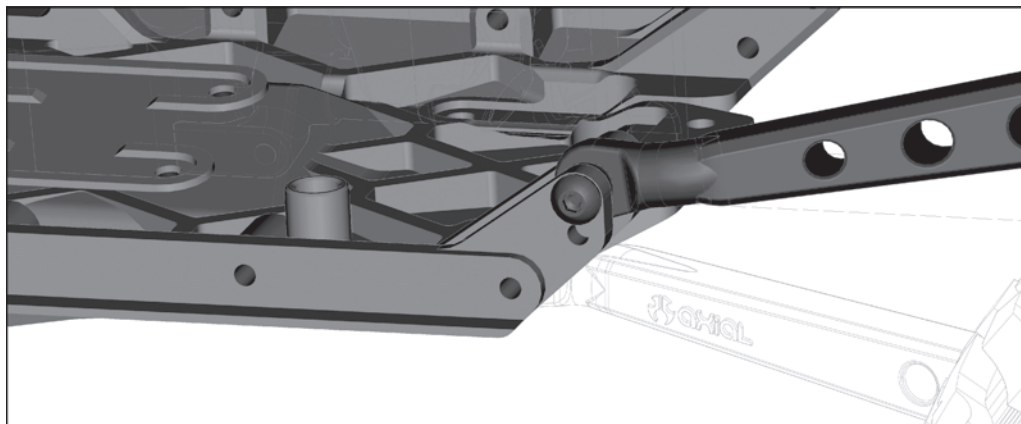


Suspension Tuning - Upper Link Adjustments

- Moving the upper links at the chassis will change the anti-squat characteristics of the vehicle under power.

- RTR Stock: Front upper hole, rear middle hole.

- Optional holes, will create more or less Anti-Squat for the rear traction under power.

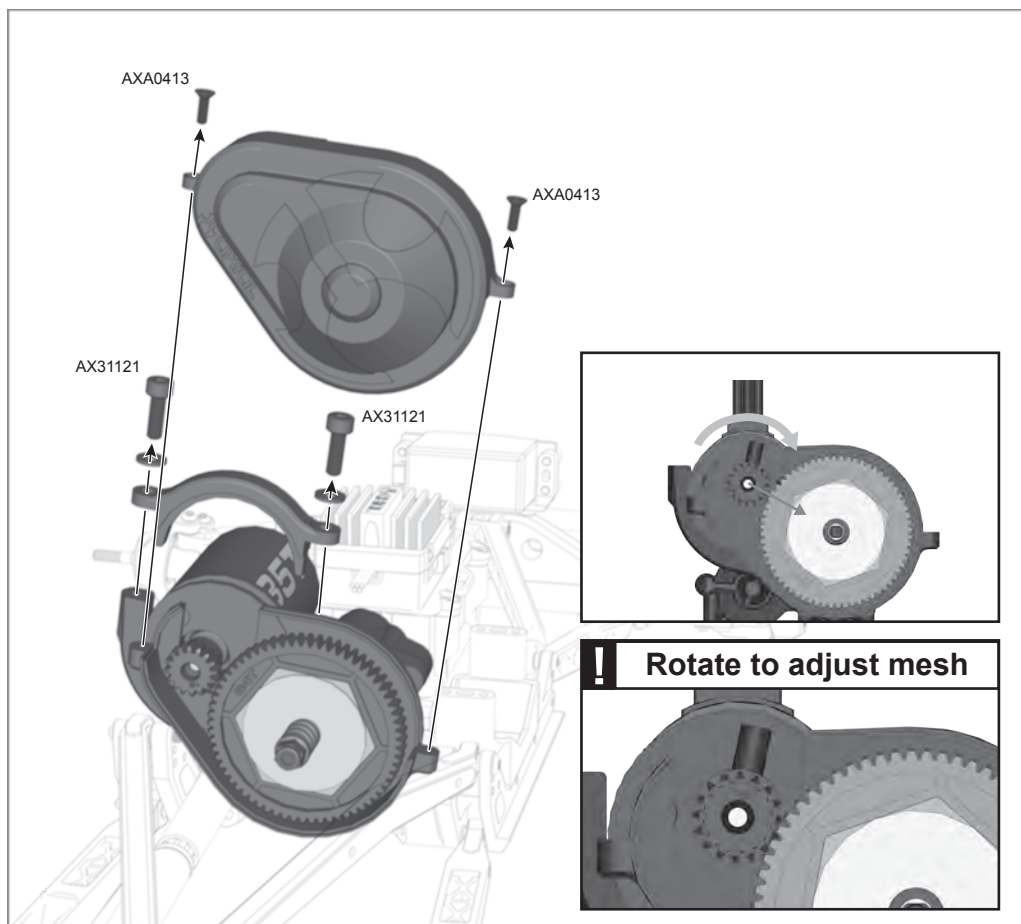


Gear Mesh Adjustment

- Remove X2 M2.6x8mm AXA0413 Flatheads from AX31107 Spur Cover to gain access to spur and pinion

- Loosen X2 M4x12mm AX31121 Capheads from AX31106 Motor Mount Clamp

- Rotate the motor and motor mount assembly to fine tune gear mesh



Parts List

Part #	Description	Part #	Description
AX30112	Shock Diaphragm 13x4.5mm (6pcs)	AX80033	10mm Shock Parts Tree 1
AX30113	Rubber Bump Stop 3.6x7x4 (6pcs)	AX80062	XR10 C Hub Carrier Set
AX30155	Shock Shaft 3x59.5 (2pcs)	AX80069	AR60 OCP Axle Housing
AX30163	Pin 2.0x10mm (6pcs.)	AX80071	AR60 OCP Straight Axle Adapter
AX30385	Diff Gasket 16x25x0.5mm (2pcs)	AX80072	AR60 OCP 4-Link Mount
AX30395	Heavy Duty Bevel Gear Set - 38T/13T	AXA0023	M2.6x8mm Cap Head (Black) (10pcs)
AX30413	Slipper spring 8.5x12 165 lbs/in - Black (2pcs)	AXA0109	M3x10mm Oversized Flat Hex Socket (Black) (10pcs)
AX30429	12mm Aluminum Hub (Black) (4pcs)	AXA0113	M3x6mm Hex Socket Button Head (Black) (10pcs)
AX30438	Machined Shock Piston 10mm - 1.2x2 (4pcs)	AXA0147	M3x16mm Hex Socket Flat Head (Black) (10pcs)
AX30450	Flange Pipe 3x4.5x5.5 (4pcs)	AXA015	M2x10mm Cap Head (Black) (10pcs)
AX30463	WB8 Universal Joint Rebuild Kit (2pcs)	AXA0187	M3x20mm Set Screw (Black) (10pcs)
AX30500	Heavy Duty Locker (2pcs)	AXA0286	Screw Shaft M4x2.5x12mm (6pcs)
AX30723	Pinion Gear 32P 12T (3mm shaft)	AXA0413	M2.6x8mm Hex Socket Tapping Flat Head (Black) (10pcs)
AX30776	AR60 OCP Rear Axle Set (2pcs)	AXA087	M3x16mm Cap Head (Black) (10pcs)
AX30780	AR60 OCP Universal Axle Set	AXA091	M3x30mm Cap Head - Black (10pcs)
AX31028	Pin 2.0x11mm (6pcs)	AXA1041	M2.5 Nylon Locking Hex Nut - Silver (10pcs)
AX31049	Helmet Set (Black)	AXA1045	M4 Nylon Lock Nut (Black) (10pcs)
AX31058	Yeti™ Rear Sway Bar (3pcs) (Soft, Medium, Firm)	AXA1052	M3 Thin Nylon Locking Hex Nut (Black)
AX31059	Slipper Plate Washer 33x1mm (2pcs)	AXA1053	M3 Nylon Locking Hex Nut (Black) (10pcs)
AX31065	Spur Gear 32P 64T	AXA1059	6mm Body clip (Black) (10pcs)
AX31067	Slipper Plate (2pcs)	AXA1069	Washer 2.7x6.7x0.5 (10pcs)
AX31068	Slipper Pad 32.8x15.2x1mm (2pcs)	AXA1070	Washer 3x6x0.5 (10pcs)
AX31083	Radio Box Seals	AXA1071	Washer 4x8x0.5mm (10pcs)
AX31106	2-Speed Hi/Lo Transmission Motor Mount	AXA114	M3x8mm Hex Socket Button Head (Black) (10pcs)
AX31107	2-Speed Hi/Lo Transmission Spur Gear Cover	AXA115	M3x10mm Hex Socket Button Head (Black) (10pcs)
AX31108	2-Speed Hi/Lo Transmission Case	AXA116	M3x12mm Hex Socket Button Head - Black (10pcs)
AX31109	Yeti™ Rear 4 Link Set	AXA117	M3x15mm Hex Socket Button Head (Black) (10pcs)
AX31113	Yeti™ Rear Sway Bar Mount Set	AXA118	M3x18mm Hex Socket Button Head - Black (10pcs)
AX31114	WB8-HD Driveshaft	AXA1184	O-Ring 7.5x1.5mm (S8) - (10pcs)
AX31118	2.2 Walker Evans Wheels - IFD™ Wheels - Black(2pcs)	AXA1188	Axial O-Ring 12x1.5mm (S12.5)
AX31121	M4x12mm Cap Head (Black) (10pcs)	AXA119	M3x20mm Hex Socket Button Head (Black) (10pcs)
AX31125	Yeti™ Fuel Cell	AXA120	M3x25mm Hex Socket Button Head (Black) (10pcs)
AX31127	2-Speed Hi/Lo Transmission Top Shaft (5x91mm)	AXA1202	O-Ring 3.5x2mm (10pcs)
AX31129	2-Speed Hi/Lo Transmission Bottom Shaft (5x75mm)	AXA121	M3x30mm Hex Socket Button Head (Black) (10pcs)
AX31130	High Speed Transmission Gear Set (48P 26T, 48P 28T)	AXA1221	Bearing 5x11x4mm (2pcs)
AX31131	T-Case Gear Set (32P 15T, 32P 15T, 32P 27T)	AXA1230	Bearing 10x15x4mm
AX31148	WB8-HD Driveshaft Coupler Set	AXA1391	E4 e-clip (10pcs)
AX31185	M3x10mm Hex Socket Flat Head (Black) (10pcs)	AXA144	M3x8mm Hex Socket Flat Head (Black) (10pcs)
AX31186	M4 Rod End Set	AXA146	M3x12mm Hex Socket Flat Head - Black (10pcs)
AX31245	Lower Link Plate Set (Aluminum) (4pcs)	AXA148	M3x18mm Hex Socket Flat Head (Black) (10pcs)
AX31250	M4 Serrated Nylon Lock Nut (Black) (10pcs)	AXA150	M3x25mm Hex Socket Flat Head (Black) (10pcs)
AX31266	IFD™ Hex Hub Adapter (2pcs Narrow, 2pcs Wide)	AXA180	M3x3mm Set Screw (Black) (10pcs)
AX31280	M2.6x6mm Hex Socket Button Head (Black) (10pcs)	AXA185	M3x10mm Set Screw (Black) (10pcs)
AX31300	10mm Shock Parts Tree 2 (Blue)	AXA186	M3x16mm Set Screw (Black) (10pcs)
AX31301	10mm Shock Caps Parts Tree (Blue)	AXA291	M4x4mm Set Screw (Black) (6pcs.)
AX31313	Transfer Case Output Shaft (5x69mm)	AXA441	M3x30mm Hex Socket Tapping Button Head (Black) (10pcs)
AX31314	Aluminum Shock Body 12x47.5mm (Clear Anodized) (2pcs)		
AX31315	Spring 14x70mm 1.43 lbs/in - Purple (2pcs) (Blue Springs)		
AX31316	AR60 Double Shear Steering Knuckle Set		
AX31317	RR10 AR60 Axle Component Set		
AX31318	RR10 Battery Tray Chassis Components		
AX31319	RR10 Center Cage		
AX31320	RR10 Rear Cage Components		
AX31321	RR10 Cage Lower Rails		
AX31322	RR10 Cage Sides (Left and Right)		
AX31323	RR10 Electronics Box		
AX31324	RR10 Transfer Case		
AX31325	2.2 BFGoodrich Baja T/A KR2 Tires - R35 Compound (2pcs)		
AX31327	RR10 Bomber Body - .040" (Clear)		
AX31328	AR60 Steering Kit		
AX31332	RR10 Battery Tray Chassis Components 2		
AX31333	RR10 Skid Plate		
AX31336	Spring 14x70mm 3.27 lbs/in - Yellow (2pcs) (Blue Springs)		
AX31340	RR10 Aluminum Links Set		
AX31341	Threaded Aluminum Link 7x87.5mm - Hard Anodized (2pcs)		
AX31343	M4x20mm Set Screw (Black) (10pcs)		
AX31428	AR60 Steering Upgrade Kit (Aluminum)		
AX31430	King Shocks Aluminum Caps and Collars Set - 12mm (Blue) (4pcs)		
AX80002	Diff Case -Small		
AX80006	Servo Set		
AX80018	Hardware Parts Tree		

Option Parts

Part #	Description	Part #	Description
AX31069	Metal Spur Gear 32P 68T	AXA1105	Cone Washer 3x6.9x2mm - Grey (6pcs)
AX31077	2.2 Falken Wildpeak M/T - R35 Compound (2pcs)	AXA1331	Flanged Ball 3x5.8x7mm (6pcs)
AX31097	3 Port High Output LED Controller	AXA1412	0.5x6mm Spacer - Grey (6pcs)
AX31098	8 LED Light String (White LED)	AXA1413	1x6mm Spacer - Grey (6pcs)
AX31118	2.2 Walker Evans Wheels - IFD™ Wheels - Black(2pcs)	AXA1414	2x6mm Spacer - Grey (6pcs)
AX31136	Icon 87-125mm Aluminum Shock Set - 10mm Piston (2pcs)	AXA1415	3x6mm Spacer - Grey (6pcs)
AX31144	AE-5 Waterproof Forward/Reverse ESC w/ Drag Brake	AXA1416	4x6mm Spacer - Grey (6pcs)
AX31152	Universal Rigid Light Bar Set	AXA1417	5x6mm Spacer - Grey (6pcs)
AX31156	Machined Adjustable Motor Mount (Hard Anodized)	AXA1418	6x6mm Spacer - Grey (6pcs)
AX31160	Steel Spur Gear 32P 68T	AXA1419	7x10mm Post - Grey (2pcs)
AX31161	Steel Spur Gear 32P 64T	AXA1420	7x15mm Post - Grey (2pcs)
AX31162	Steel Spur Gear 32P 60T	AXA1421	7x20mm Post - Grey (2pcs)
AX31163	Steel Spur Gear 32P 56T	AXA1422	7x25mm Post - Grey (2pcs)
AX31164	Machined Slipper Plate (Hard Anodized) (2pcs)	AXA1423	7x30mm Post - Grey (2pcs)
AX31171	Icon 72-103mm Aluminum Shock Set - 10mm Piston (2pcs)	AXA1424	7x35mm Post - Grey (2pcs)
AX31172	Icon 67-90mm Aluminum Shock Set - 10mm Piston (2pcs)	AXA1425	7x40mm Post - Grey (2pcs)
AX31173	Icon 93-137mm Aluminum Shock Damper Set - 10mm Piston (2pcs)	AXA1426	7x45mm Post - Grey (2pcs)
AX31178	2.2 Method Beadlock Wheels - IFD™ Wheels - Black(2pcs)	AXA1427	7x50mm Post - Grey (2pcs)
AX31181	Yeti Transmission 2-Speed Hi/Lo Components	AXA1428	7x55mm Post - Grey (2pcs)
AX31184	Hi/Lo Transmission Gear Set	AXA1429	7x60mm Post - Grey (2pcs)
AX31188	Icon Aluminum Shock Body 12x47.5mm (2pcs)	AXA1430	7x65mm Post - Grey (2pcs)
AX31191	Icon Shock Cap (12mm) (2pcs)	AXA1431	7x70mm Post - Grey (2pcs)
AX31244	Upper Link Plate Set (Aluminum) (4pcs)		
AX31245	Lower Link Plate Set (Aluminum) (4pcs)		
AX31250	M4 Serrated Nylon Lock Nut (Black) (10pcs)		
AX31329	35T Trail Breaker Electric Motor (Rebuildable)		
AX31330	55T Trail Breaker Electric Motor (Rebuildable)		
AX31331	RR10 Rear Sway Bar Set (Soft)		
AX80045	Axial Light Bucket Set (Black)		
AX80047	Interior Details Parts Tree - Chrome		
AX80049	Axial LED Lens Set - Yellow/Clear (4pcs)		
AX80085	Universal Mount 5 Bucket Light Bar (Black)		
AX80086	Light Bar Lenses (Clear) (5pcs)		
AX80131	Helmet Set		
AX8091	Axial 2.2 Rockster Beadlocks (Black)		
AX8092	Axial 2.2 Rockster Beadlocks (Chrome)		
AX8095	Axial 2.2 Rockster Beadlocks (Black Chrome)		
AX8097	2.2 8 Hole Beadlocks (Black)		
AX8112	2.2 Beadlock Ring - Grey (2pcs)		
AX8117	2.2 Rock Beadlock Ring - Grey (2pcs)		
AXA1076	Cap Head Washer M3x10mm (4pcs)		
AXA1101	Cone Washer 3x6.9x2mm (6pcs)		
AXA1104	Cone Washer 3x6.9x2mm - Orange (6pcs)		

Warranty Info

AXIAL LIMITED WARRANTY

Your Axial product is warranted to be free of defects in materials and workmanship when new in the factory sealed box. This warranty does not cover damages due to normal wear and tear, users' failure to perform routine maintenance, error of assembly or installation, modifications or addition of aftermarket parts or option parts. This warranty lasts as long as the original purchaser owns the product and is not transferable (verified by dated itemized sales receipt accompanied with product). In the event of a defect under this warranty, Axial will, at our discretion, repair or replace the product, provided our inspection indicates that an original defect exists. Axial provides a 10-day warranty from the date of purchase on electronics (i.e. servo, esc, radio). Axial reserves the right to replace any product which is no longer available with a product of comparable value and function. If Axial determines the repair is not covered under warranty guidelines, there could be a charge applied for the repair and return shipping charges. Note: Purchasing products from unauthorized distributors may void warranty and prevent support and service.

INTERNATIONAL CUSTOMER WARRANTY

Please return product to the dealer where the purchase was made. If your Axial product purchase was made through an on-line retailer, any warranty issues must be taken care of by that retailer. Axial assumes no responsibility for Axial products sold internationally by on-line retailers.

REPAIR

For warranty repair, please contact Axial Customer Service at (877) 64-AXIAL (877-642-9425).

HOURS AVAILABLE:

8:00 am - 5:00 pm Monday through Friday, Central Time.

THE NEXT CHAPTER AWAITS

SCX10™



BUILDER'S KIT
SCX10 II™ 2000
JEEP CHEROKEE
 1:10 | ELECTRIC | 4WD | #AX90046

© 2016 Axial R/C Inc. A subsidiary of Hobbico, Inc.



KEY FEATURES:
 AR44 HI-PINION AXLES | AR44 UNIVERSAL AXLE SET | SCX10 II™ TRANSMISSION
 CHASSIS MOUNTED SERVO (CMS) | ICON ALUMINUM SHOCKS | ALL ALUMINUM SUSPENSION LINKS
 BFGOODRICH® ALL-TERRAIN T/A® KO2 TIRES (R35) | METHOD MESH WHEELS (BLACK)
 ALL ALUMINUM SUSPENSION LINKS | W88 HD WILD BOAR™ DRIVESHAFTS | DUAL SLIPPER CLUTCH
 JCR OFFROAD VANGUARD BUMPERS, ADVENTURE ROOFRACK & XJ ROCK SLIDERS

axial®
www.axialracing.com



Jeep Jeep, the Jeep grille and related logos, vehicle model names and trade dress are trademarks of FCA US LLC and used under license by Axial Inc. © 2016 FCA US LLC.
 BFGoodrich® Tires and All-Terrain T/A® KO2 Trademarks are used under License from Michelin



EXPLORE

facebook.com/axialinc | twitter.com/axialrc | youtube.com/axialvideos | flickr.com/axialrc



BFGoodrich® Tires and Baja T/A® KR2 Trademarks are used under License from Michelin
Odyssey Battery trademark(s) is/are the property of EnerSys and affiliates

AX90053-1001
2803935