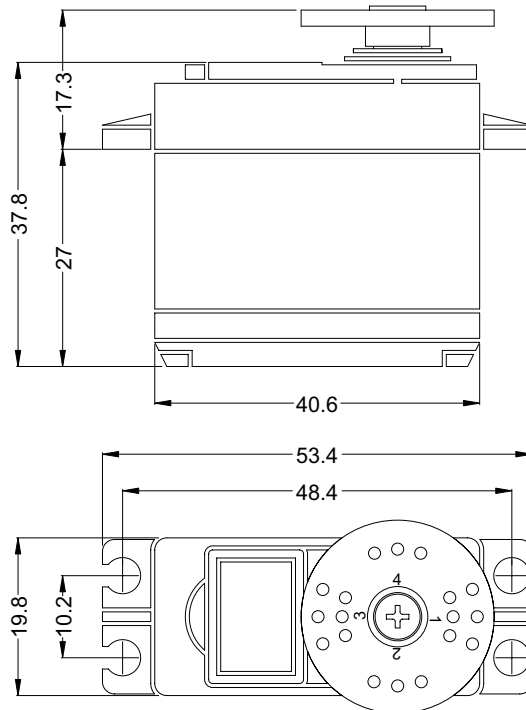


ANNOUNCED SPECIFICATION OF HS-5625MG STANDARD SPORT DIGITAL HIGH SPEED SERVO

1. TECHNICAL VALUES

CONTROL SYSTEM	:+PULSE WIDTH CONTROL 1500usec NEUTRAL	
OPERATING VOLTAGE RANGE	:4.8V TO 6.0V	
OPERATING TEMPERATURE RANGE	:-20 TO +60° C	
TEST VOLTAGE	:AT 4.8V	:AT 6.0V
OPERATING SPEED	:0.17sec/60° AT NO LOAD	:0.14sec/60° AT NO LOAD
STALL TORQUE	:7.9kg.cm(109.70oz.in)	:9.4kg.cm(130.53oz.in)
OPERATING ANGLE	:45°ONE SIDE PULSE TRAVELING 400usec	
DIRECTION	:CLOCK WISE/PULSE TRAVELING 1500 TO 1900usec	
IDLE CURRENT	:3mA	:3mA
RUNNING CURRENT	:400mA	:500mA
DEAD BAND WIDTH	:1usec	
CONNECTOR WIRE LENGTH	:300mm(11.81in)	
DIMENSIONS	:40.6x19.8x37.8mm(1.59x0.77x1.48in)	
WEIGHT	:60g(2.11oz)	



2. FEATURES

- DIGITAL & MOS FET AMP
- PROGRAMABLE
- 3-POLE FERRITE MOTOR
- DUAL BALL BEARING
- 3-METAL GEARS
- LONG LIFE POTENTIOMETER

3. APPLICATIONS

- AIRCRAFT TO 1/4 SCALE
- 30 TO 60 SIZE HELICOPTERS
- STEERING AND THROTTLE FOR 1/10TH & 1/8TH ON-ROAD AND OFF-ROAD VEHICLES