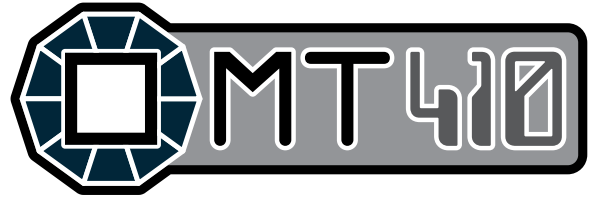




BUILDING
INSTRUCTIONS



INTRODUCTION



Thank you for purchasing the Tekno RC MT410 1/10th Scale Electric 4WD Competition Monster Truck.

We are always working on new projects, so please check our website at www.teknorc.com or our Facebook page at www.facebook.com/teknorc regularly for the latest news, parts, and kits.

Take your time! When you work your way through these building instructions, keep an eye out for the following important indicators below:

- **RED TEXT** - *This indicates important areas of the build process that should be observed.*



Thread Lock icons

Thread lock is always used when a screw is inserted into any metal part. (Included with kit)



Grease icons

Grease is usually used on any areas with movement and for sealing. (Included with kit)

- **YOUTUBE** - *We also have many useful build videos on Youtube, so be sure to check these out!*
<https://www.youtube.com/c/teknorc>

Additional equipment and parts needed:

- Monster truck body and paint (or equivalent size body)
- 1/8th scale ESC and motor system (or equivalent)
- High torque steering servo (at least 350 oz/in)
- 4s (4 cell) LiPo battery (at least 5000mAh)
- 1/8th scale Monster truck tires, wheels & CA glue (or premounts)
- MOD1 Pinion 15 tooth - 25 tooth (TKR4175 - TKR4185)

Tools needed:

- Hex drivers 1.5mm (TKR1104), 2.0mm (TKR1105), 2.5mm (TKR1106)
- Nut drivers 5.0mm (TKR1107), 5.5mm (TKR1108), 7.0mm (TKR1109)
- Hobby knife
- Needle-nose pliers
- Shock tool (TKR1115) OR adjustable (Crescent) wrench (for shock assembly)
- 4mm turnbuckle wrench (TKR1103) - 5.5/7.0 two sided wrench (TKR1119)
- 4mm arm reamer (or #19 drill bit)

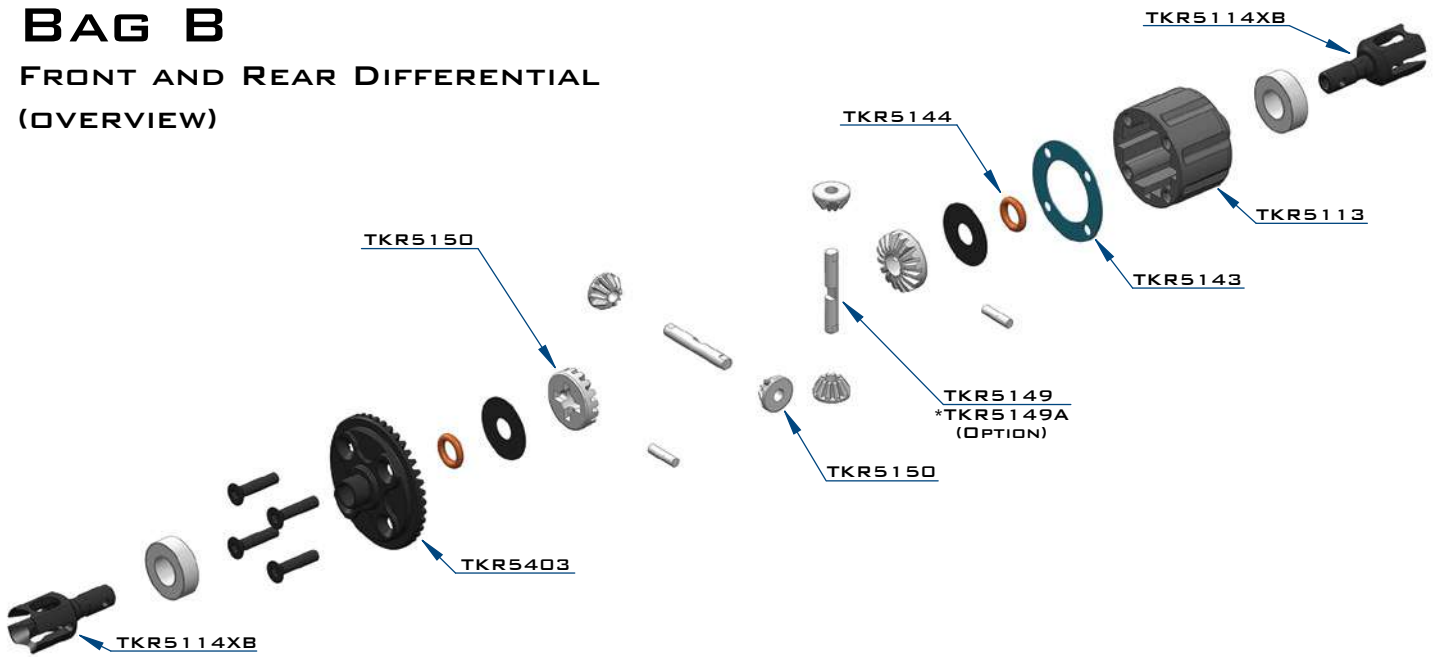
Disclaimer: Tekno RC is not responsible or liable for any property or personal damage, loss, or injury incurred as a result of using this product. This kit is meant for use by persons 14 years of age or older and in the strict confines of a legally permitted RC track or facility.

Warnings: Always double-check that your radio gear is working properly before operating vehicle. Never operate the vehicle indoors (unless the RC track is an indoor facility). Use caution while operating vehicle so as not to collide with people who may be turn marshalling or who might otherwise not be aware that a fast moving RC vehicle is in the vicinity.

Warranty: We warrant that the parts included in this kit are free from defects. If you find a defective part in your kit, please contact us @ info@teknorc.com and we will help you to resolve the issue. We do not warranty parts that may be broken during operation of the vehicle or otherwise. Refer to the end of this instruction manual for a listing of spare/replacement and option parts. All spare parts and other info are available on our website (www.teknorc.com) and through our network of domestic and international dealers and distributors.

BAG B

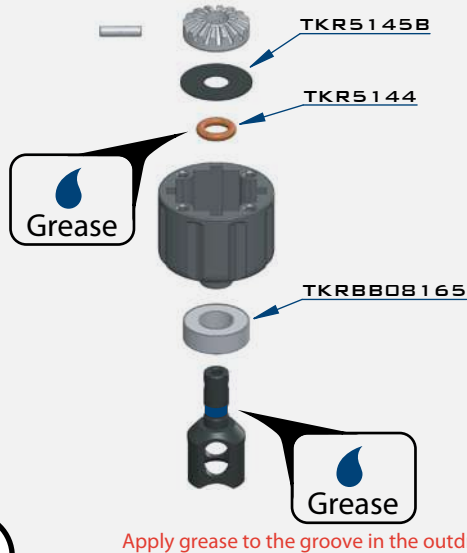
FRONT AND REAR DIFFERENTIAL (OVERVIEW)



STEP B-1

Repeat for rear diff

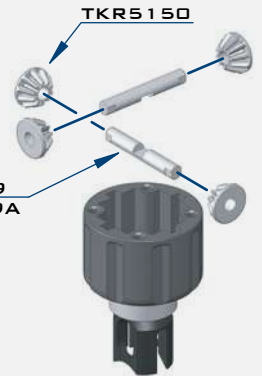
Apply grease to the groove where the o-ring is placed as well as the o-ring itself



STEP B-2

Repeat for rear diff

TKR5149
*TKR5149A (OPTION)

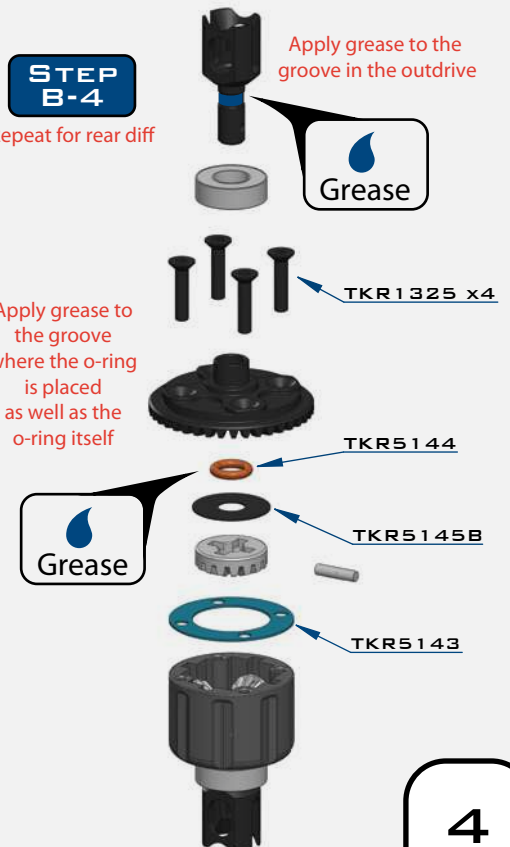


STEP B-4

Repeat for rear diff

Apply grease to the groove in the outdrive

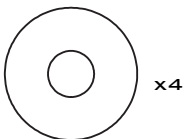
Apply grease to the groove where the o-ring is placed as well as the o-ring itself



TKR1325
M3X14MM FLAT HEAD SCREW



TKR5144
DIFFERENTIAL O-RINGS



TKR5145B
DIFFERENTIAL SHIMS (6X17MM)



TKRBB08165
BALL BEARING(8X16X5MM)

STEP B-3

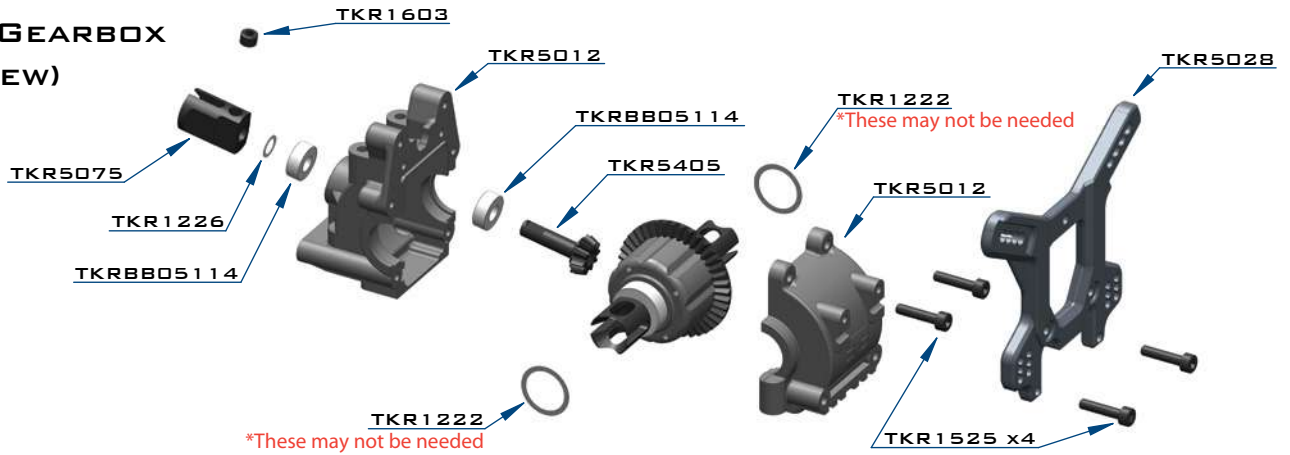
Repeat for rear diff



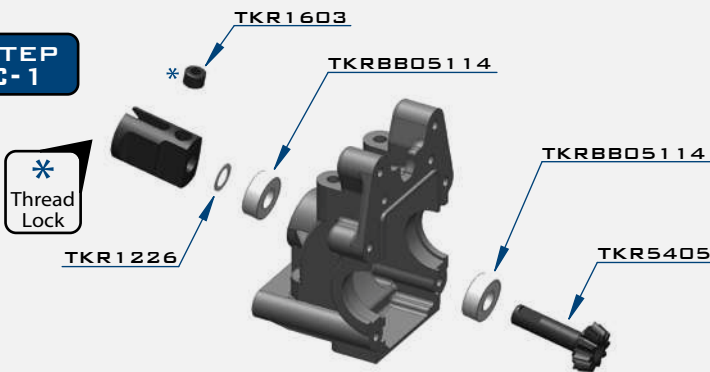
Fill FRONT with 100,000 wt oil
Fill REAR with 50,000 wt oil
to 1mm below full
DO NOT OVER FILL

BAG C

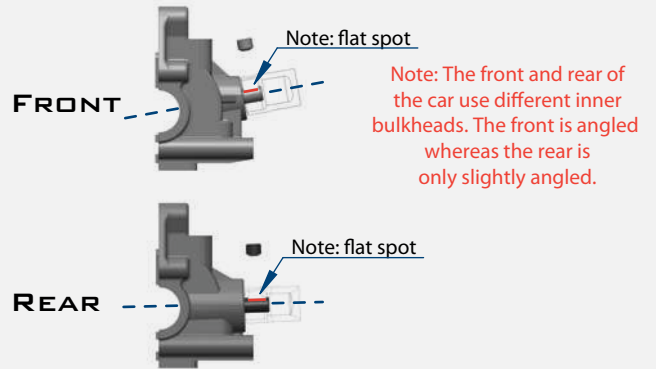
FRONT GEARBOX (OVERVIEW)



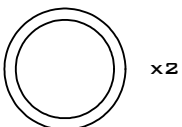
STEP C-1



INNER BULKHEADS



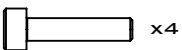
Note: Step C-2 To properly shim the diff, you will start by test fitting the diff with no shims and check for side to side play. If no (or very little) play is present, then continue on to the next step. If you feel excessive side to side play, then start by adding one shim on the gear side of the diff assembly. This will move the mesh tighter and remove any play. If the mesh is too tight at this point, move the shim to the other side. In some rare cases, two shims may be necessary.



x2
TKR1222
13x16x0.1MM DIFF SHIM



x1
TKR1226
5x7x0.2MM SHIM



x4
TKR1525
M3x14MM CAP HEAD SCREW

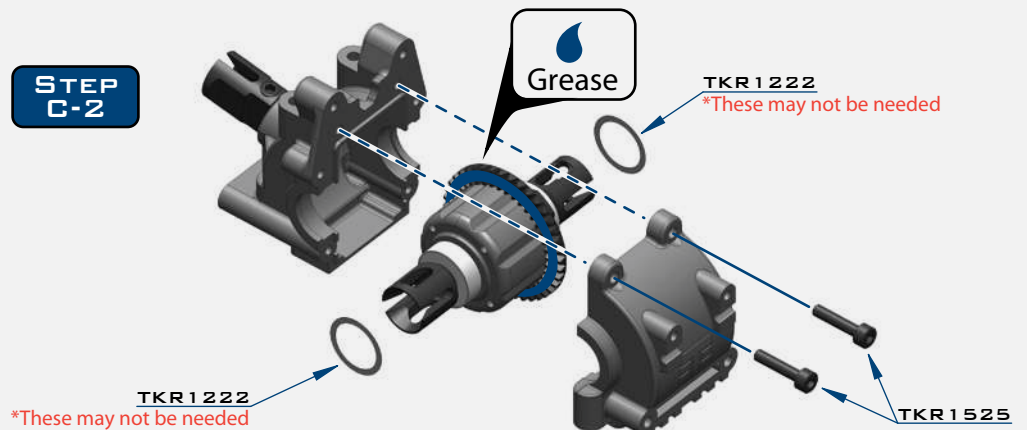


x1
TKR1603
M5x4MM SET SCREW

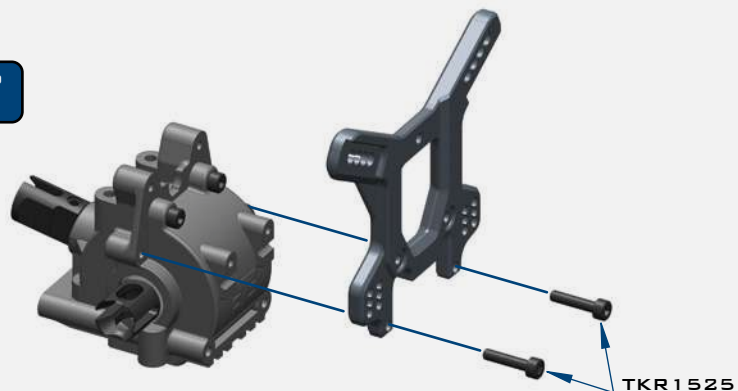


x2
TKRBB05114
BALL BEARING (5x11x4)

STEP C-2

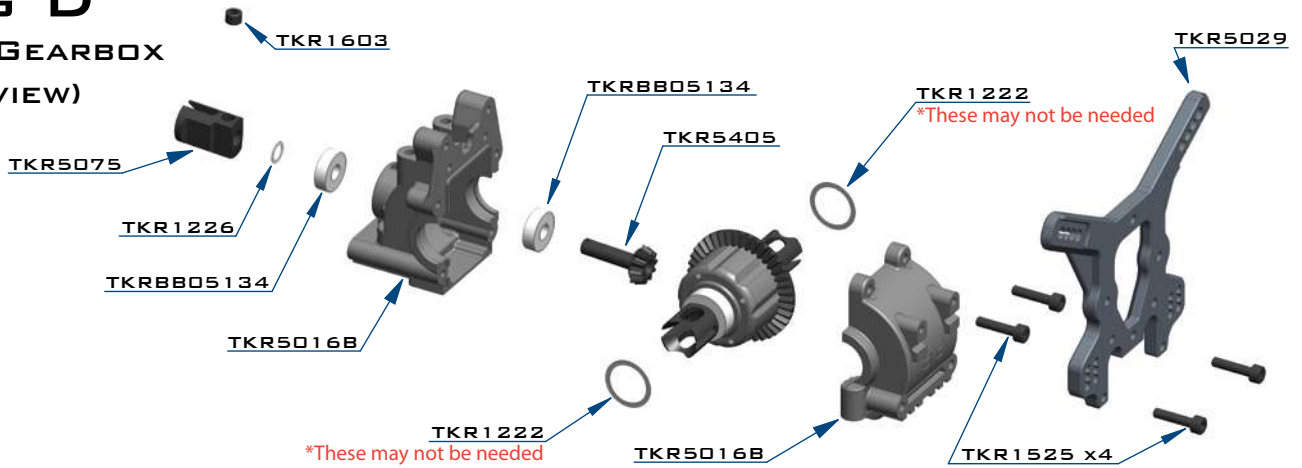


STEP C-3

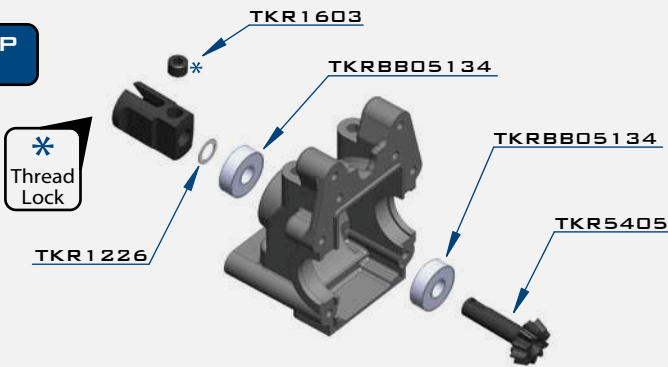


BAG D

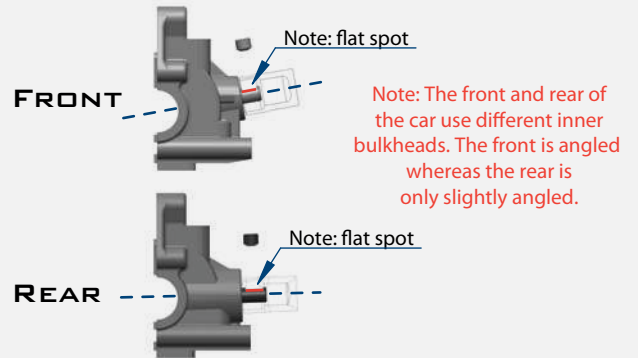
REAR GEARBOX (OVERVIEW)



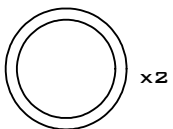
STEP D-1



INNER BULKHEADS



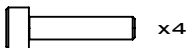
Note: Step D-2 To properly shim the diff, you will start by test fitting the diff with no shims and check for side to side play. If no (or very little) play is present, then continue on to the next step. If you feel excessive side to side play, then start by adding one shim on the gear side of the diff assembly. This will move the mesh tighter and remove any play. If the mesh is too tight at this point, move the shim to the other side. In some rare cases, two shims may be necessary.



TKR1222
13x16x0.1MM DIFF SHIM



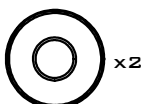
TKR1226
5x7x0.2MM SHIM



TKR1525
M3x14MM CAP HEAD SCREW

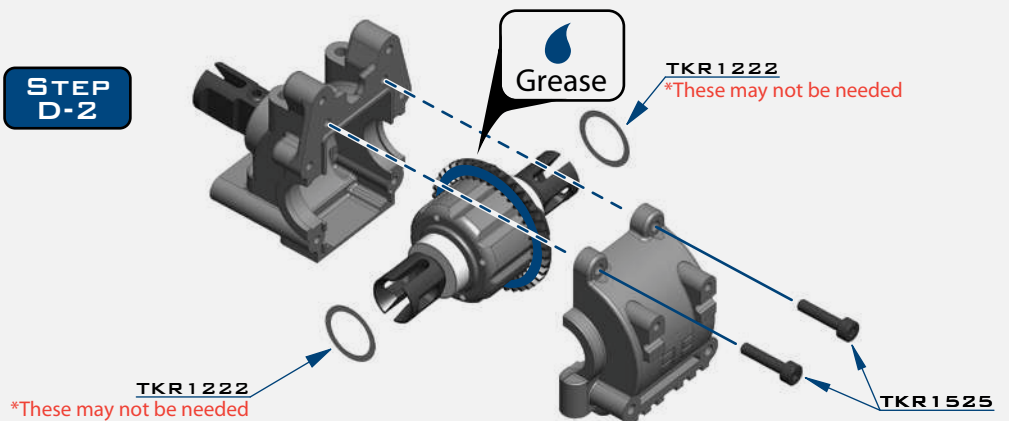


TKR1603
M5x4MM SET SCREW

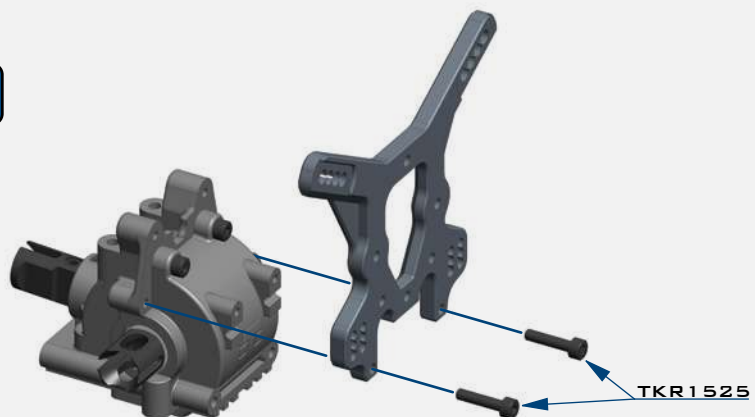


TKRBB05134
BALL BEARING (5x13x4)

STEP D-2



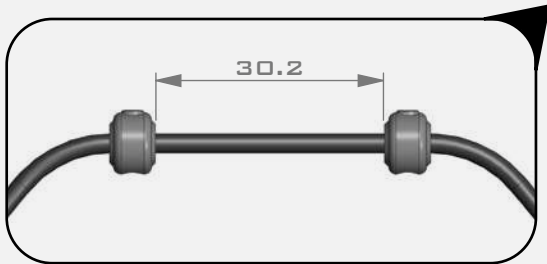
STEP D-3



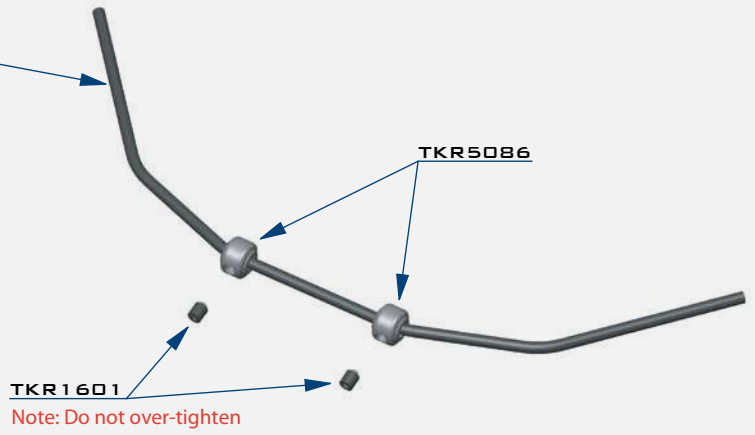
BAG E

REAR END

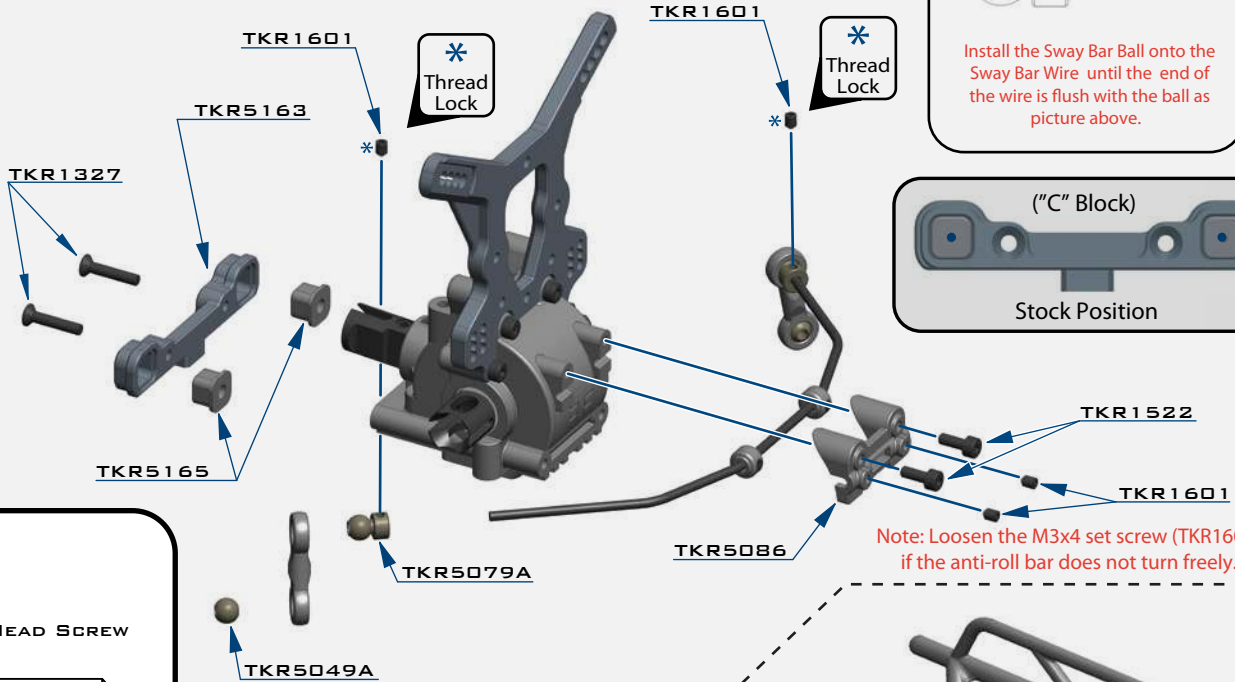
STEP E-1



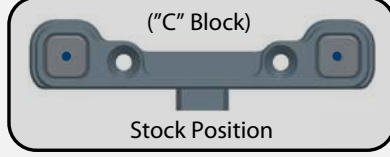
- TKR5494 - 2.8MM
- *TKR5490 - 2.3MM
- *TKR5491 - 2.4MM
- *TKR5492 - 2.5MM
- *TKR5493 - 2.6MM
- *TKR5495 - 3.0MM (OPTION)



STEP E-2

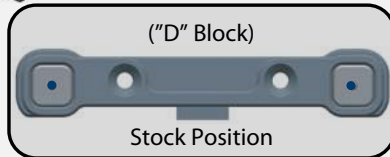
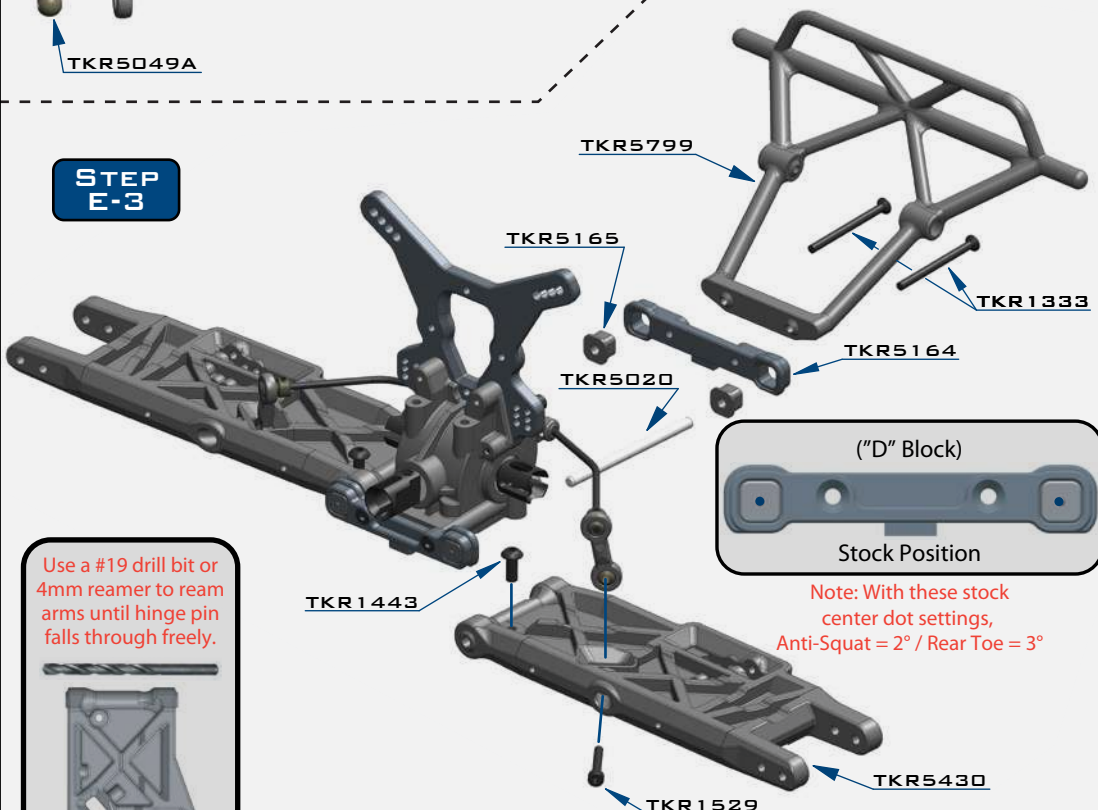


Install the Sway Bar Ball onto the Sway Bar Wire until the end of the wire is flush with the ball as picture above.



Note: Loosen the M3x4 set screw (TKR1601) if the anti-roll bar does not turn freely.

STEP E-3



Note: With these stock center dot settings, Anti-Squat = 2° / Rear Toe = 3°



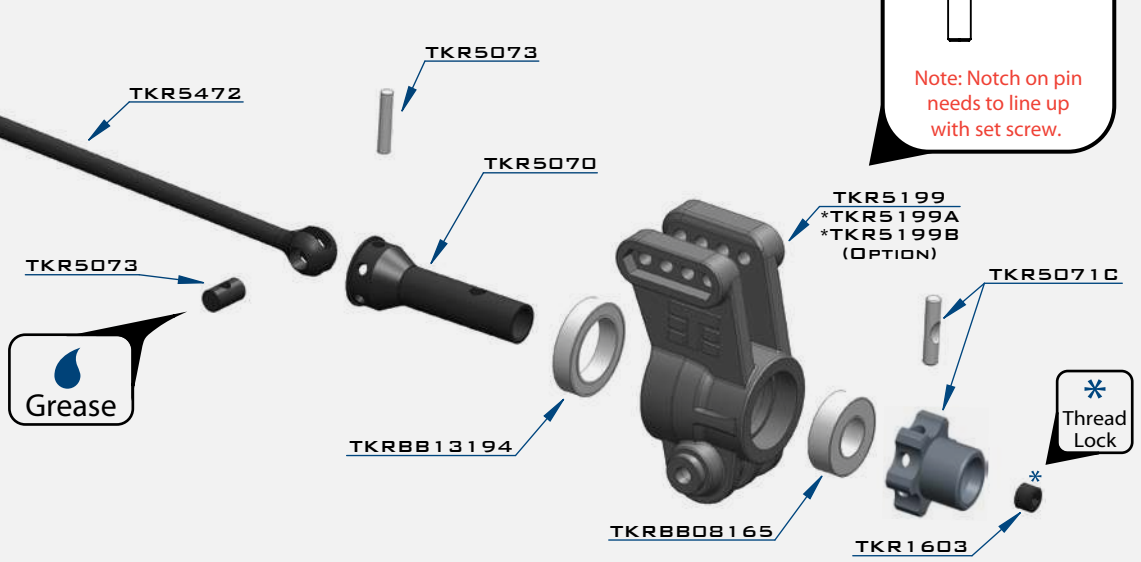
- x2
TKR1327
M3x16MM FLAT HEAD SCREW
- x2
TKR1333
M3x40MM FLAT HEAD SCREW
- x2
TKR1443
M4x10MM BUTTON HEAD SCREW
- x2
TKR1522
M3x8MM CAP HEAD SCREW
- x2
TKR1529
M3x20MM CAP HEAD SCREW
- x6
TKR1601
M3x4MM SET SCREW
- x2
TKR5049A
PIVOT BALL SWAY BAR
- x2
TKR5079A
STABILIZER BALL

BAG F

REAR HUB/CVA ASSEMBLY




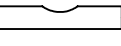
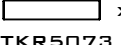
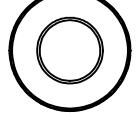
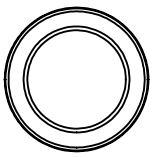
Note: Notch on pin needs to line up with set screw.

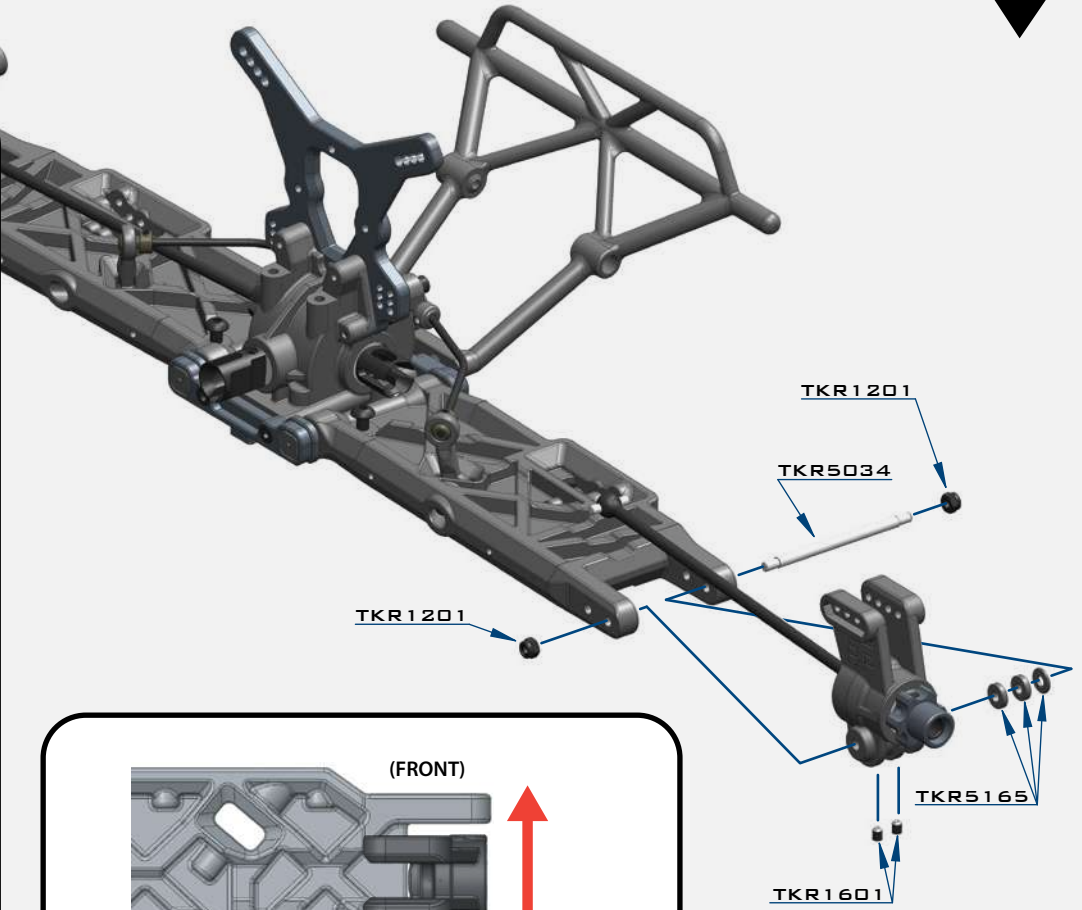
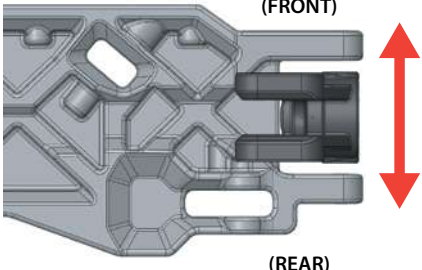
STEP F-1



STEP F-2

Note: Below the TKR1601 set screws are meant to keep the outer hinge pins from moving. After installing the outer hinge pins, install TKR1601 in the locations indicated. Very slowly tighten the set screws until you feel some resistance from contacting the hinge pin. DO NOT OVERTIGHTEN. Also be sure to loosen TKR1601 before removing the hinge pin or you may damage some parts.

-  x4
TKR1201
M3 LOCKNUT BLACK
-  x4
TKR1601
M3X4MM SET SCREW
-  x2
TKR1603
M5X4MM SET SCREW
-  x2
TKR5071C
M3X16.8MM PIN
-  x2
TKR5073
CV JOINT PIN
-  x2
TKRBB08165
BALL BEARING (8X16X5)
-  x2
TKRBB13194
BALL BEARING (13X19X4)

(FRONT)

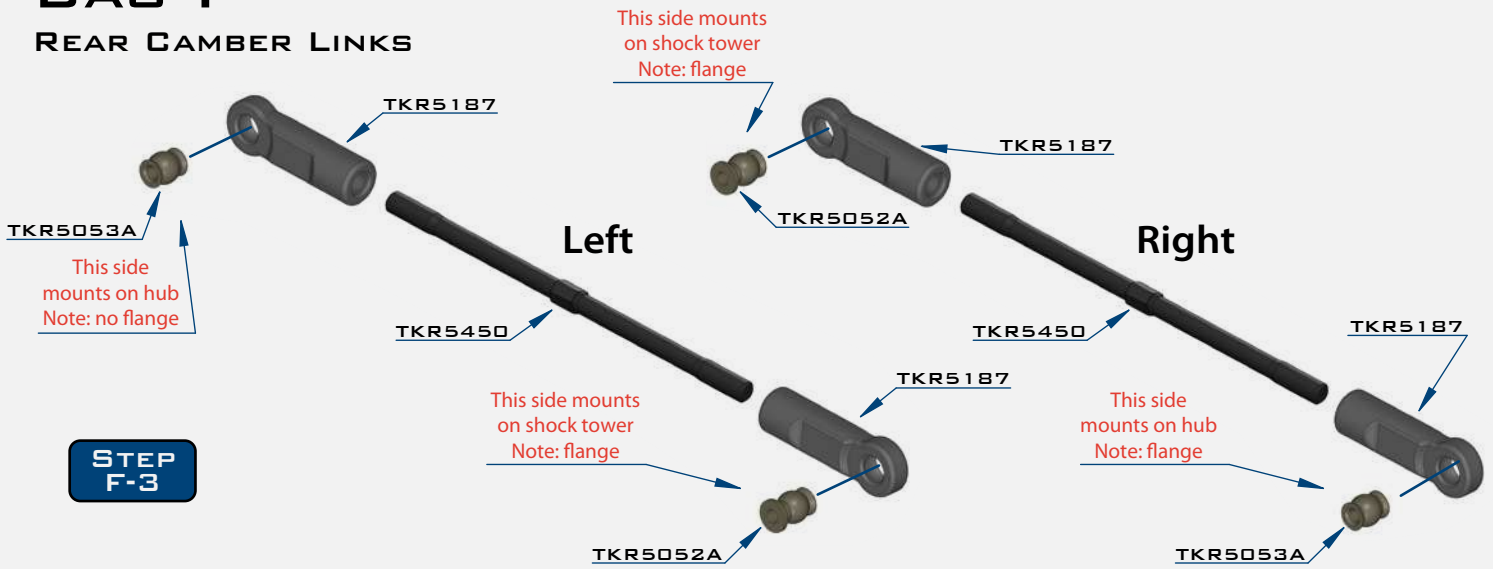
(REAR)

Changes to the wheelbase have a dramatic effect on handling, since it shifts the distribution of weight over the rear wheels. This adjusts traction. By shortening the wheelbase at the rear, you are placing more weight over the rear wheels.

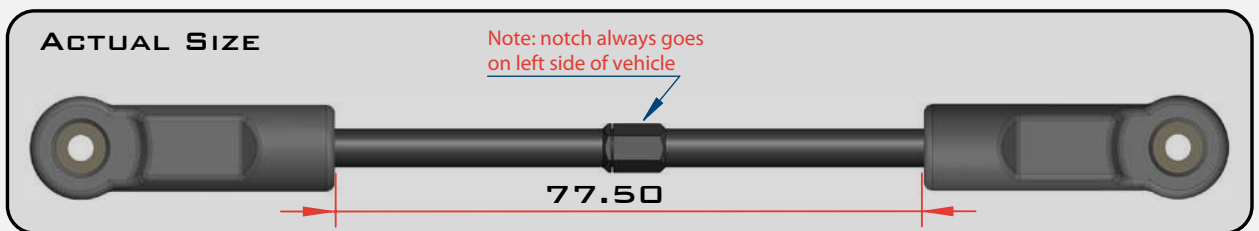
Changes to the wheelbase also change the amount of sweep the rear driveshaft will have. More driveshaft sweep creates an effect similar to anti-squat, where the rear end gets pushed upwards on throttle. This helps reduce chassis slap when landing jumps on throttle.

BAG F

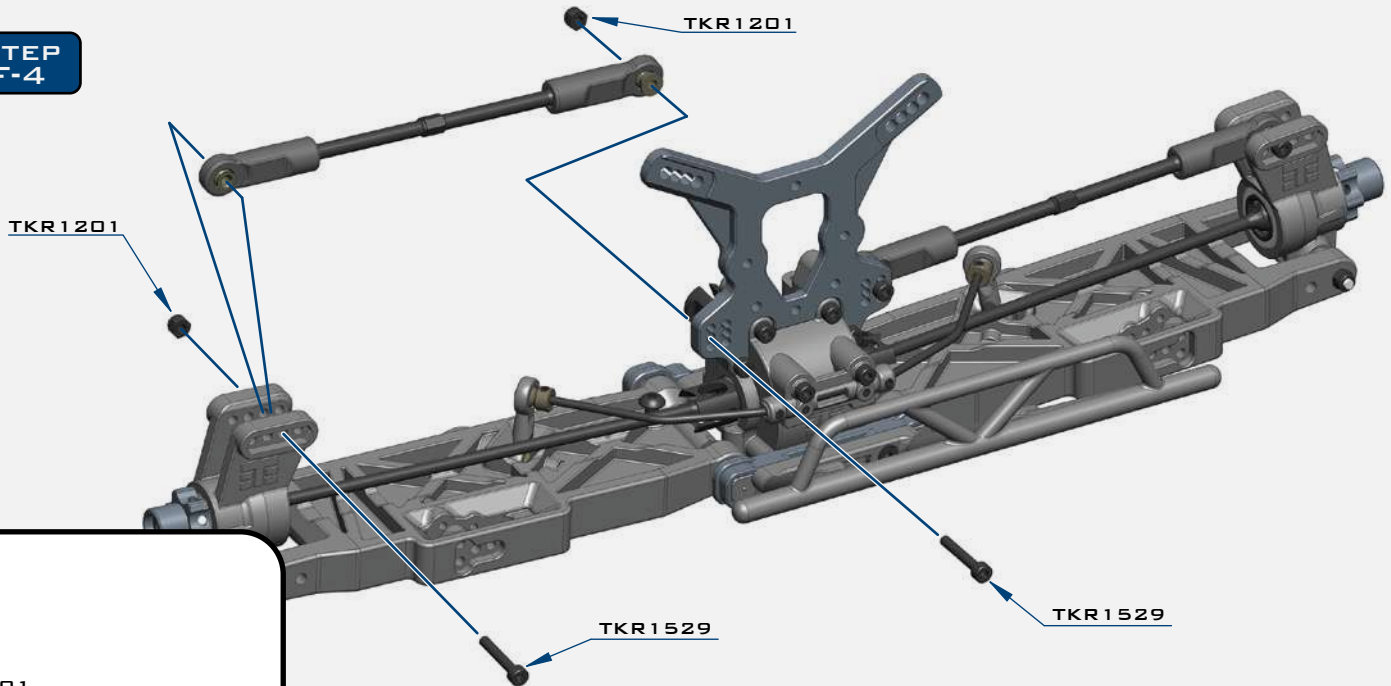
REAR CAMBER LINKS



STEP F-3



STEP F-4

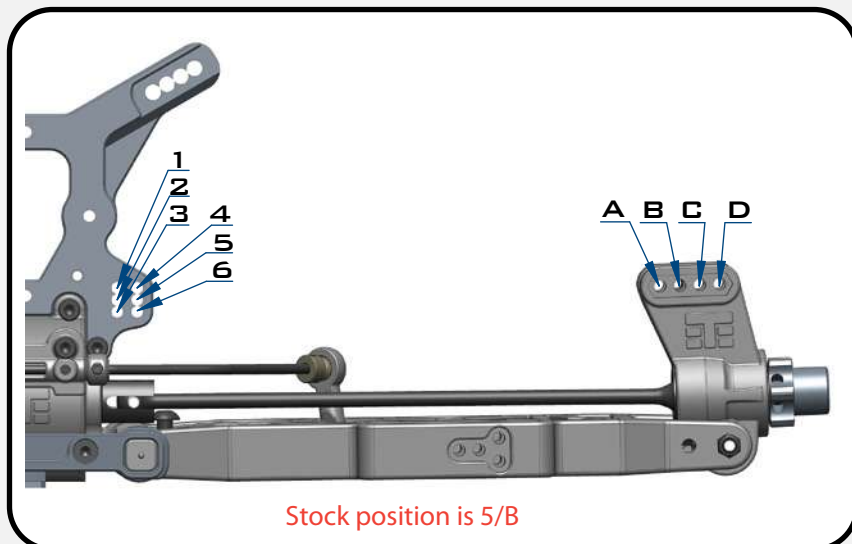


x4
TKR1201
M3 LOCKNUT BLACK

x4
TKR1529
M3X20MM CAP HEAD SCREW

x2
TKR5052A
PIVOT BALL M3X6.8MM

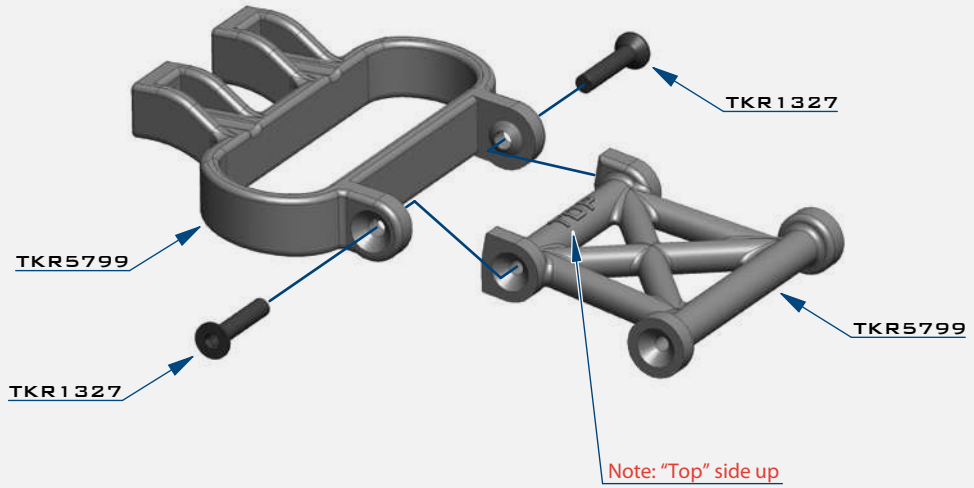
x2
TKR5053A
PIVOT BALL M3X6.8MM
NO FLANGE



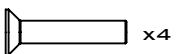
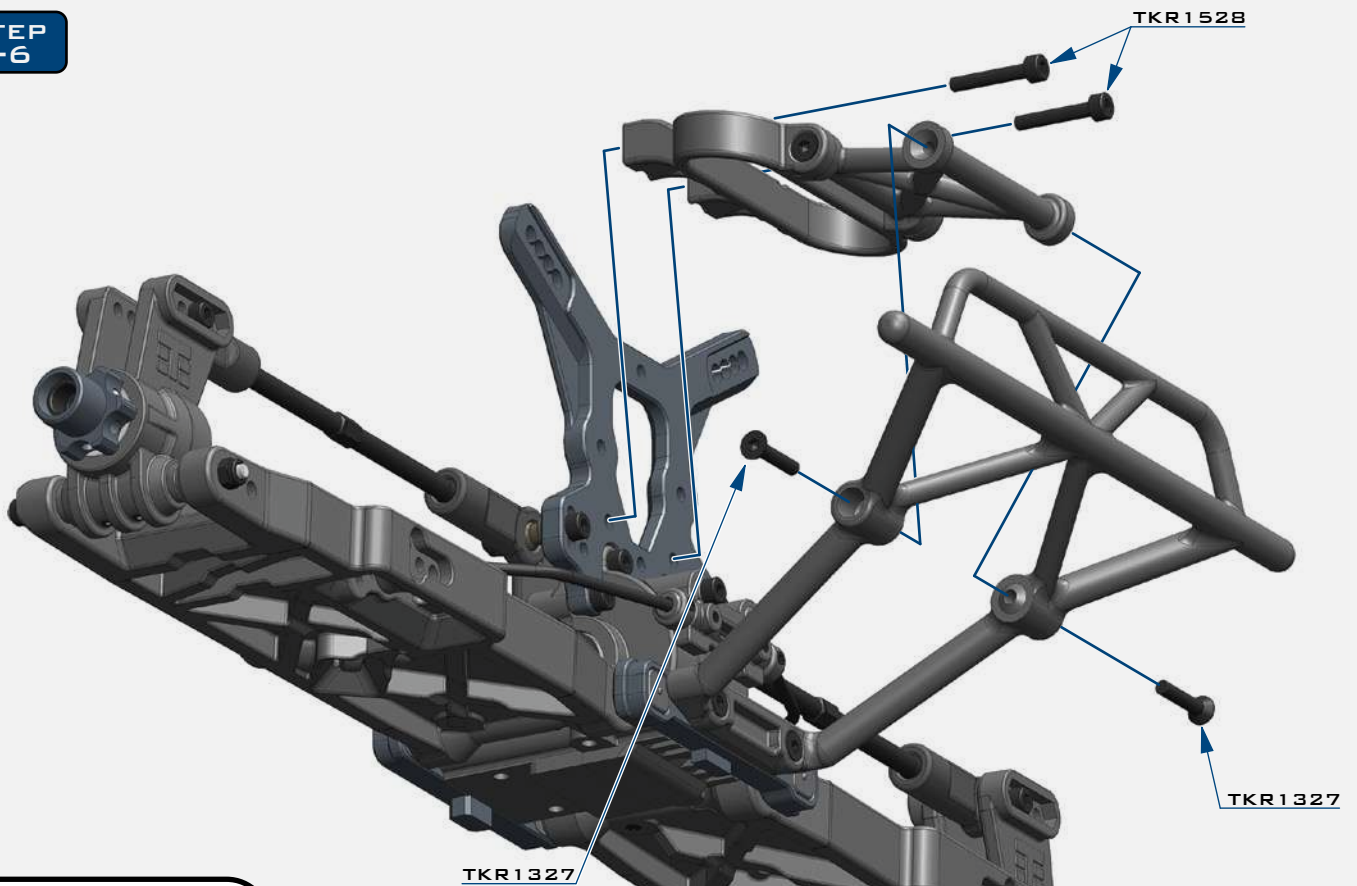
BAG F

REAR BUMPER

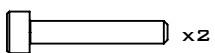
STEP F-5



STEP F-6



TKR1327
M3X16MM FLAT HEAD SCREW



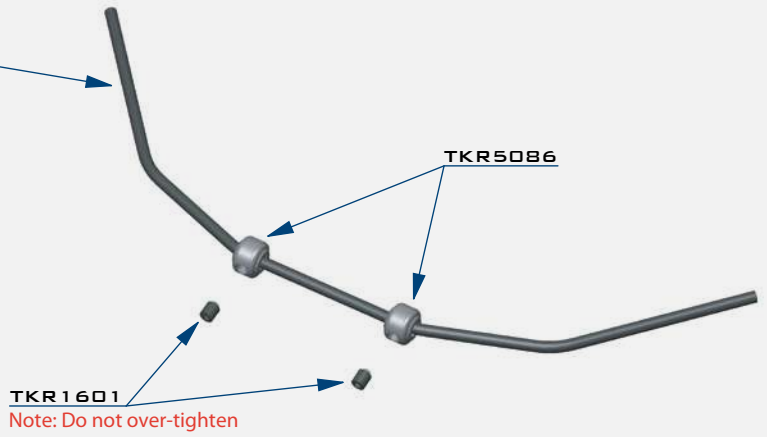
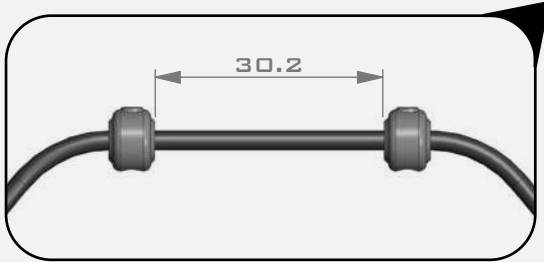
TKR1528
M3X18MM CAP HEAD SCREW

BAG G

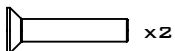
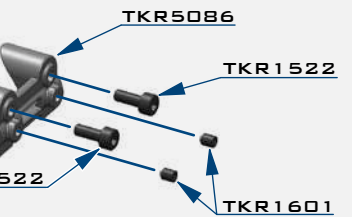
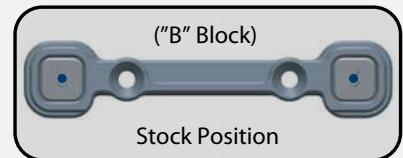
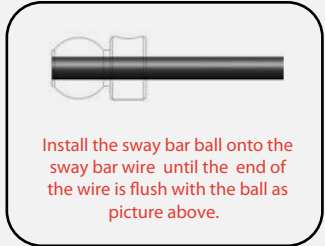
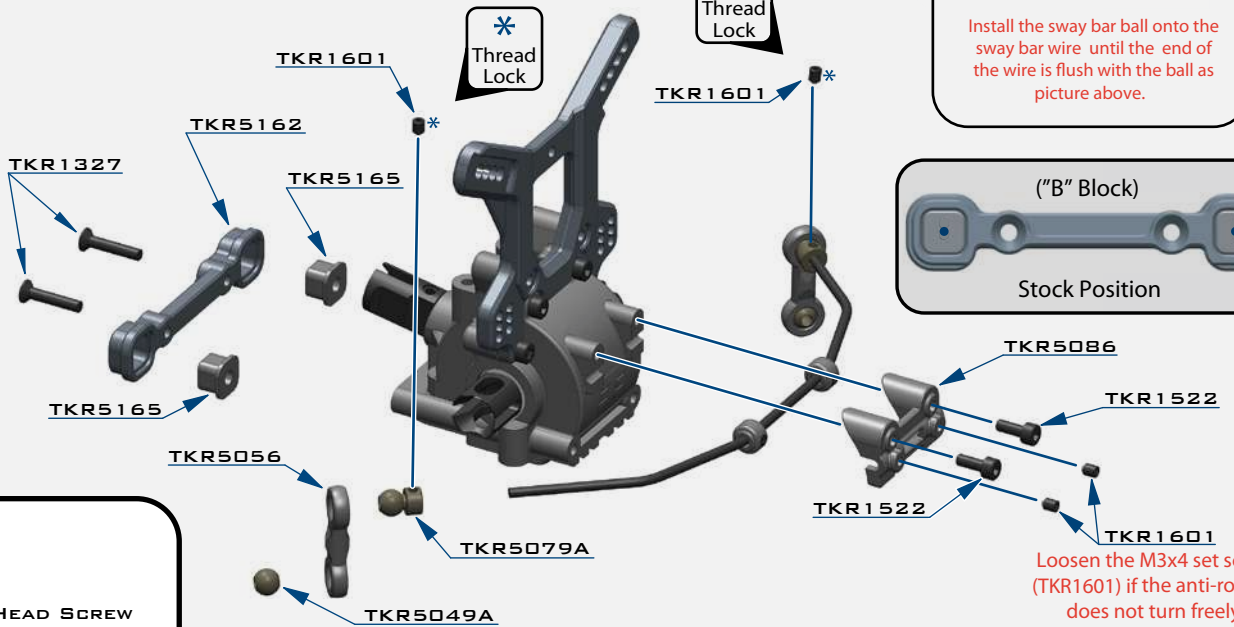
FRONT END

STEP G-1

- TKR5483 - 2.6MM
- *TKR5480 - 2.3MM
- *TKR5481 - 2.4MM
- *TKR5482 - 2.5MM
- *TKR5484 - 2.8MM
- *TKR5485 - 3.0MM (OPTION)



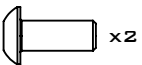
STEP G-2



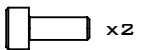
TKR1327
M3x16MM FLAT HEAD SCREW



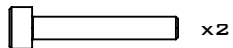
TKR1333
M3x40MM FLAT HEAD SCREW



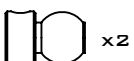
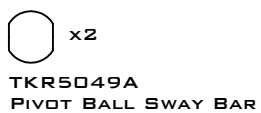
TKR1443
M4x10MM BUTTON HEAD SCREW



TKR1522
M3x8MM CAP HEAD SCREW

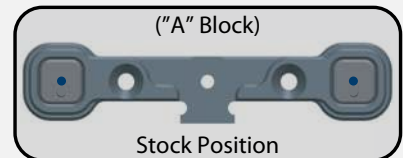
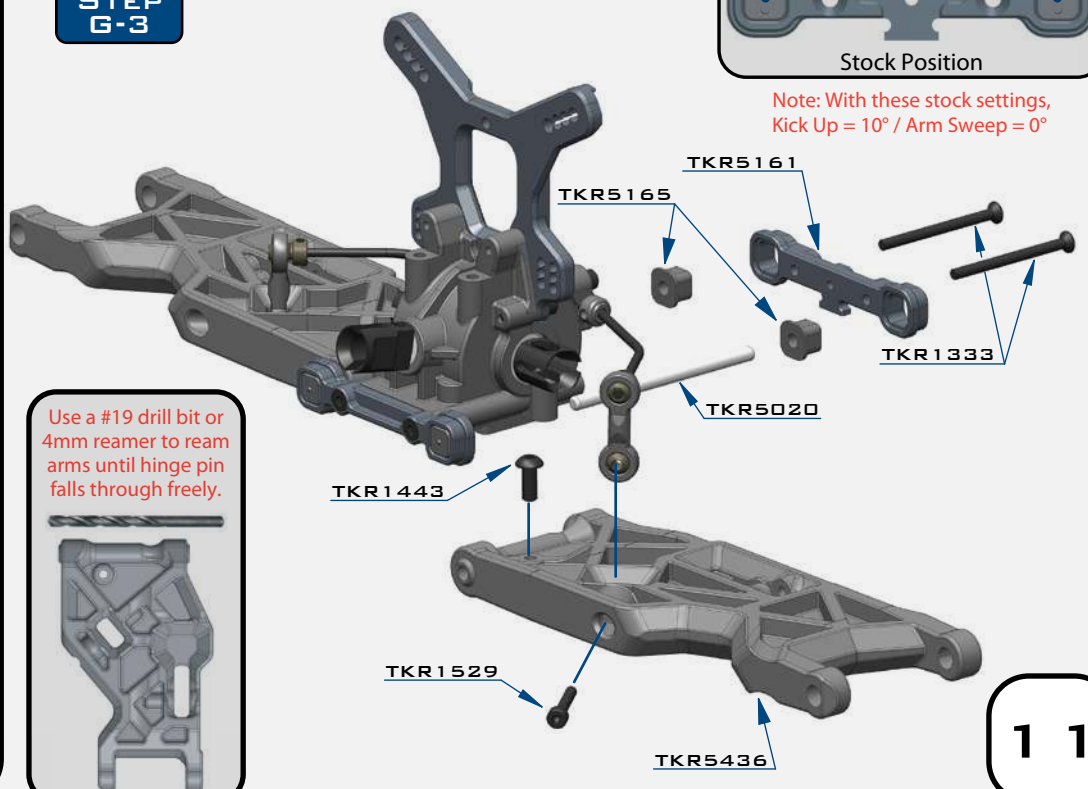


TKR1529
M3x20MM CAP HEAD SCREW



TKR5079A
STABILIZER BALL

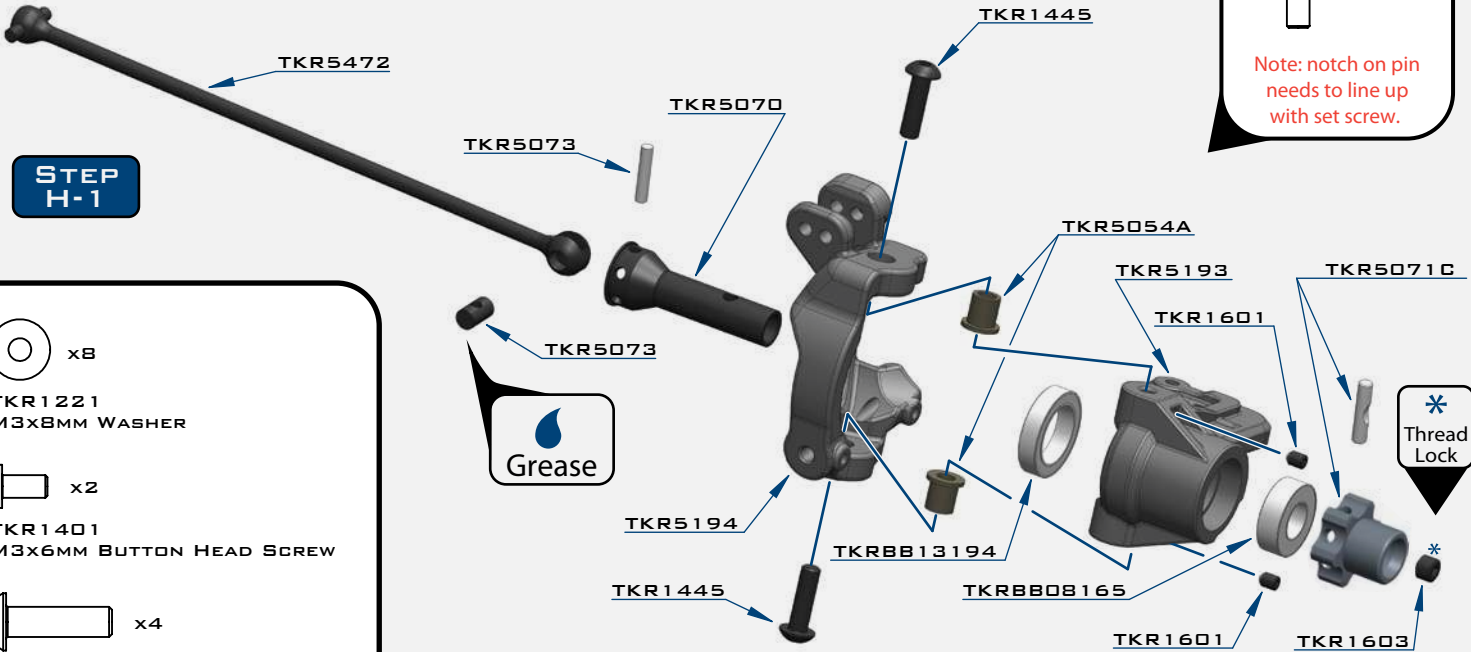
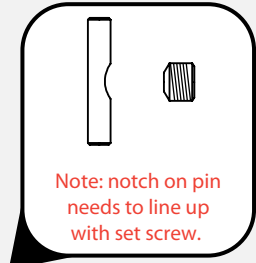
STEP G-3





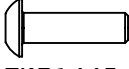
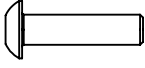




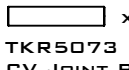
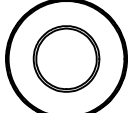
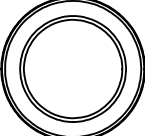
Note: With these stock settings,
Kick Up = 10° / Arm Sweep = 0°

BAG H

FRONT SPINDLE / CVA ASSEMBLY



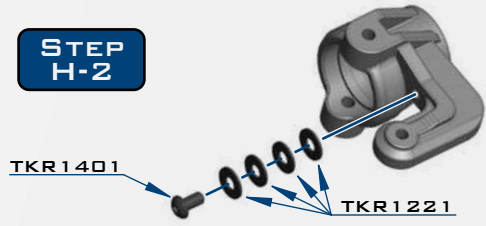
STEP H-1

-  x8
TKR1221
M3x8MM WASHER
-  x2
TKR1401
M3x6MM BUTTON HEAD SCREW
-  x4
TKR1445
M4x14MM BUTTON HEAD SCREW
-  x4
TKR1447
M4x16MM BUTTON HEAD SCREW
-  x8
TKR1601
M3x4MM SET SCREW
-  x2
TKR1603
M5x4MM SET SCREW
-  x4
TKR5054A
SPINDLE PIN SLEEVE
-  x4
TKR5055A
SUSPENSION PIN SLEEVE
-  x2
TKR5071C
M3x16.8MM PIN
-  x2
TKR5073
CV JOINT PIN
-  x2
TKRBB08165
BALL BEARING (8x16x5)
-  x2
TKRBB13194
BALL BEARING (13x19x4)

Note: The TKR1601 set screws are meant to keep the TKR1445 screws from coming loose. After installing TKR1445 and ensuring the steering action is free, install TKR1601 in the locations indicated. Very slowly tighten the screws until you feel some resistance from contacting the TKR1445 screws. **DO NOT OVERTIGHTEN.** Also be sure to loosen TKR1601 before unscrewing TKR1445 or you will damage the screws and the parts.

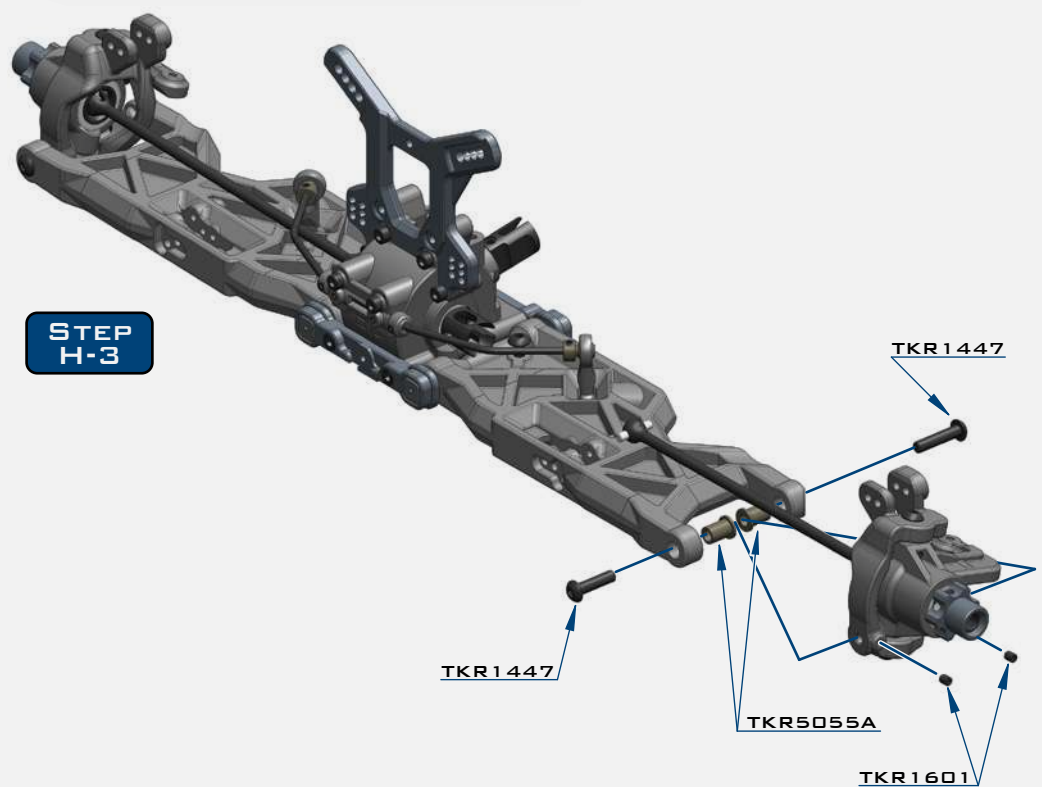
DO NOT SKIP THIS STEP!

STEP H-2



Note: The steering stops provide adjustable travel limiters to control overall steering throw. We recommend at least 4 washers on each side. With too much steering travel the rear end will lose traction around corners, the vehicle will be very hard to drive and it will be more prone to breaking parts.

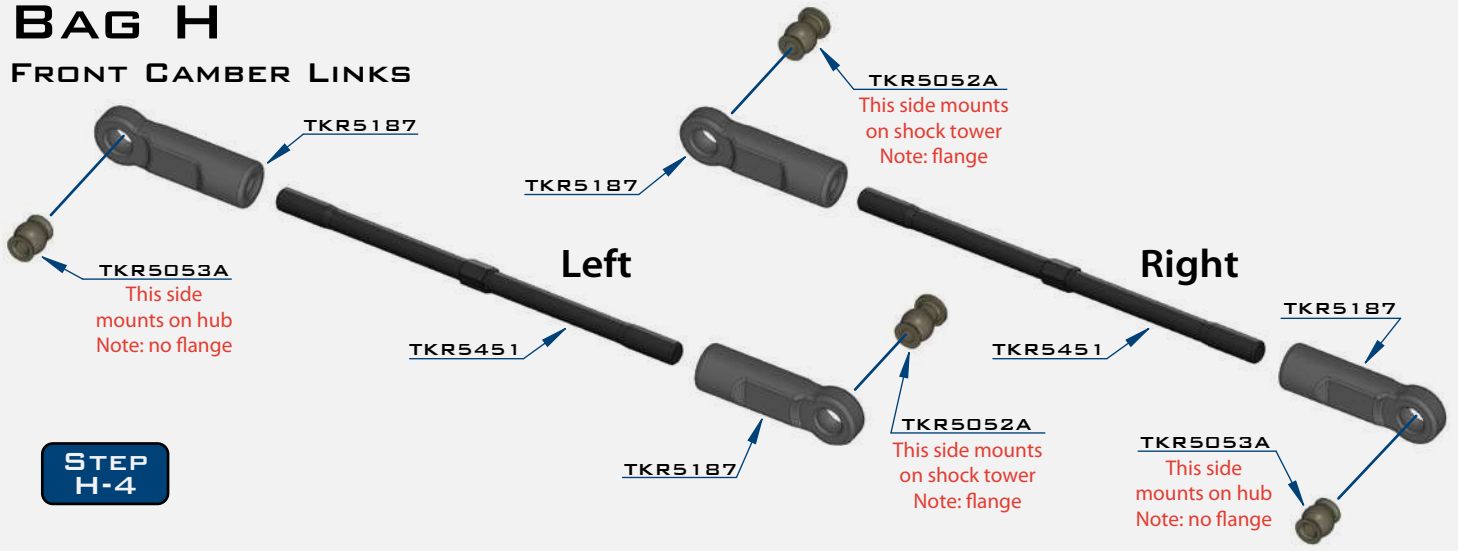
STEP H-3



Note: The TKR1601 set screws are meant to keep the TKR1447 screws from coming loose. After installing TKR1447 and ensuring the steering action is free, install TKR1601 in the locations indicated. Very slowly tighten the screws until you feel some resistance from contacting the TKR1447 screws. **DO NOT OVERTIGHTEN.** Also be sure to loosen TKR1601 before unscrewing TKR1447 or you will damage the screws and the parts.

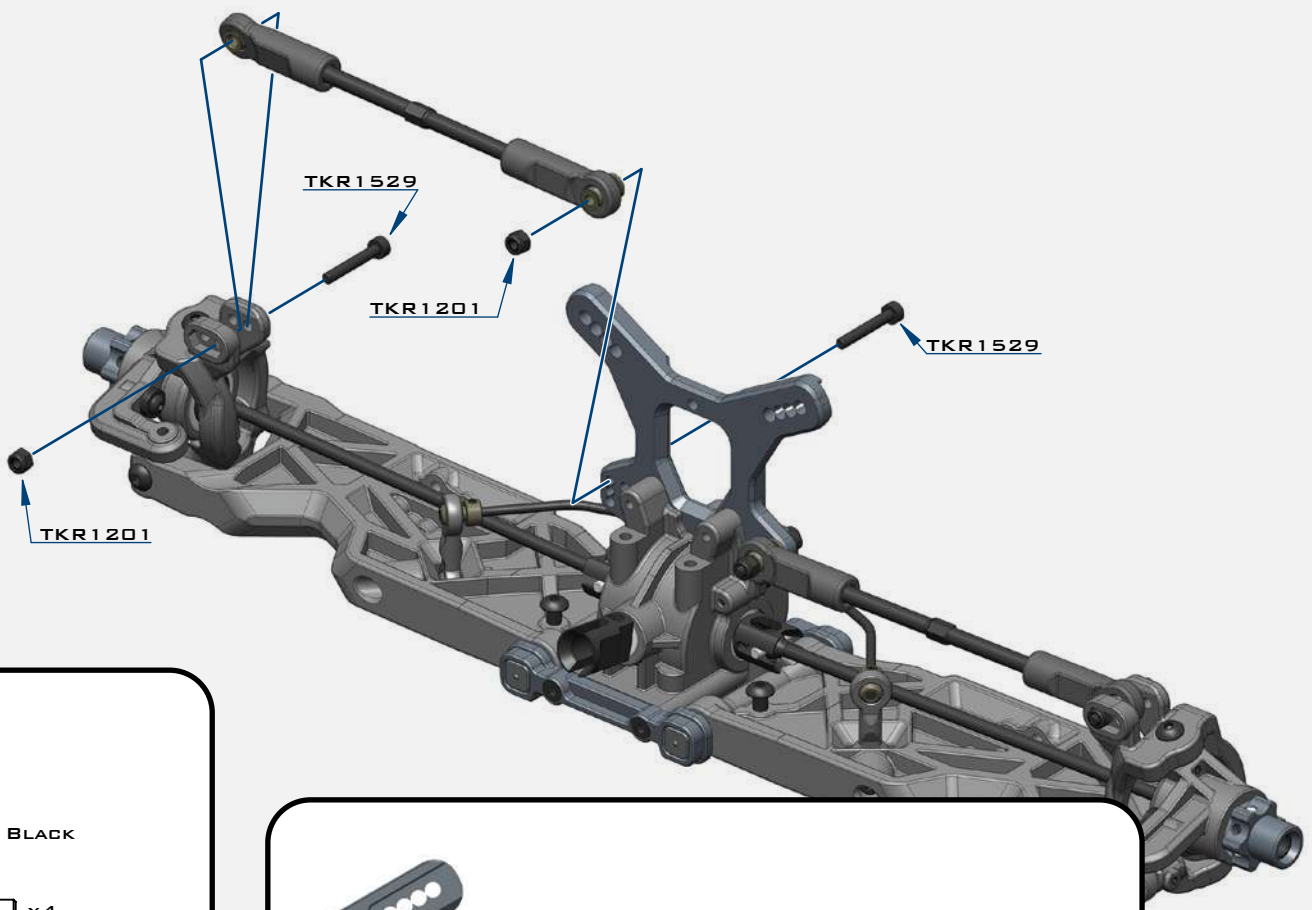
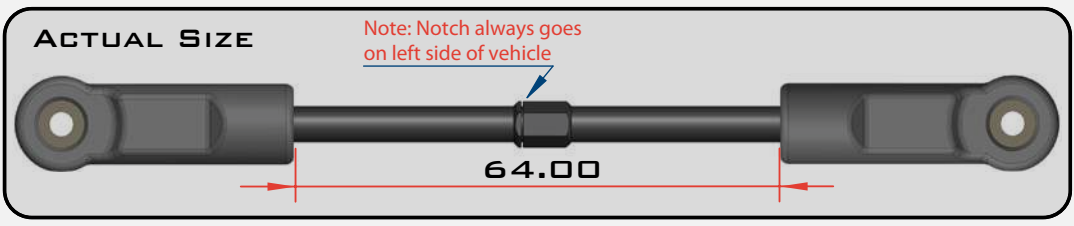
BAG H





FRONT CAMBER LINKS

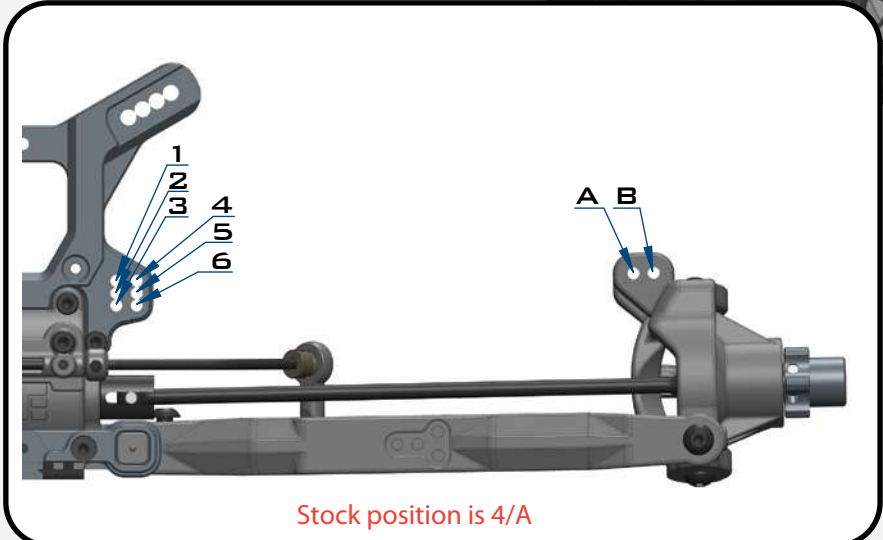


STEP H-4

STEP H-5

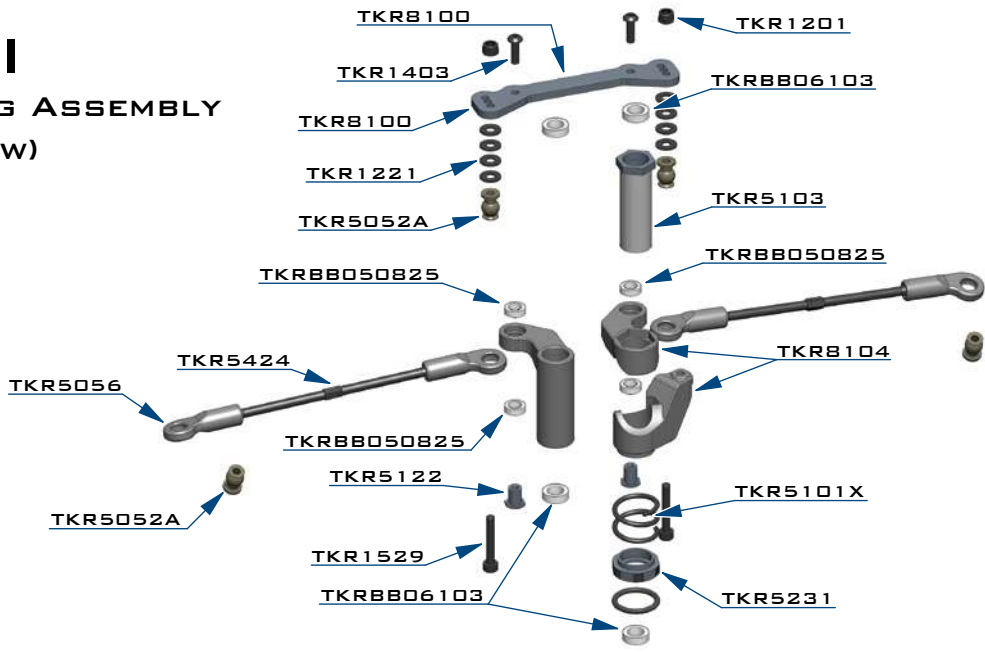


-  x4
TKR1201
M3 LOCK NUT BLACK
-  x4
TKR1529
M3X20MM CAP HEAD SCREW
-  x2
TKR5052A
PIVOT BALL M3X6.8MM
-  x2
TKR5053A
PIVOT BALL M3X6.8MM
NO FLANGE



BAG I

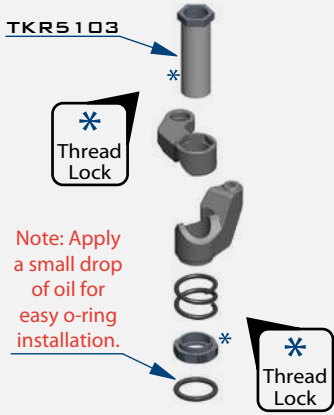
STEERING ASSEMBLY (OVERVIEW)



STEP I-1

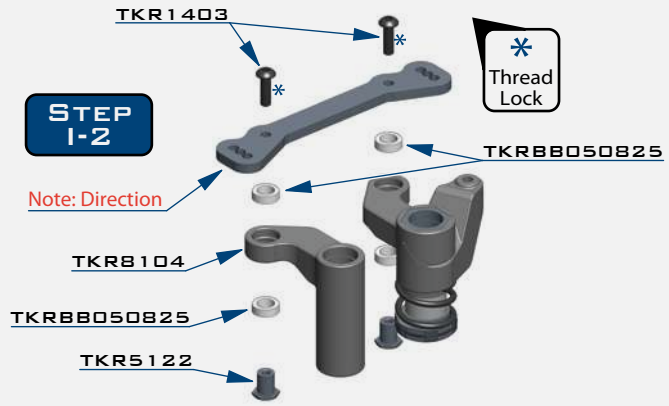


Note: Tighten nut all the way down, then back it off 3 full turns



Note: Apply a small drop of oil for easy o-ring installation.

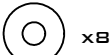
STEP I-2



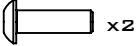
Note: Direction



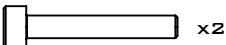
x2
TKR1201
M3 LOCK NUT BLACK



x8
TKR1221
M3x8MM WASHER



x2
TKR1403
M3x10MM BUTTON HEAD SCREW



x2
TKR1529
M3x20MM CAP HEAD SCREW



x4
TKR5052A
PIVOT BALL M3x6.8MM



x1
TKR5231
O-RING 16x12x2

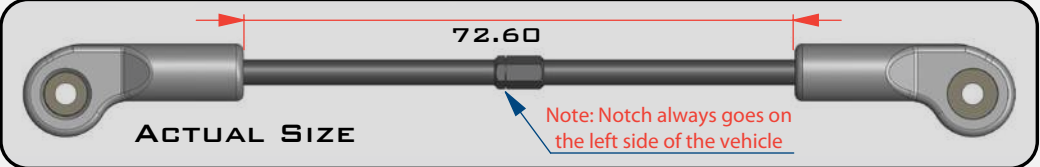
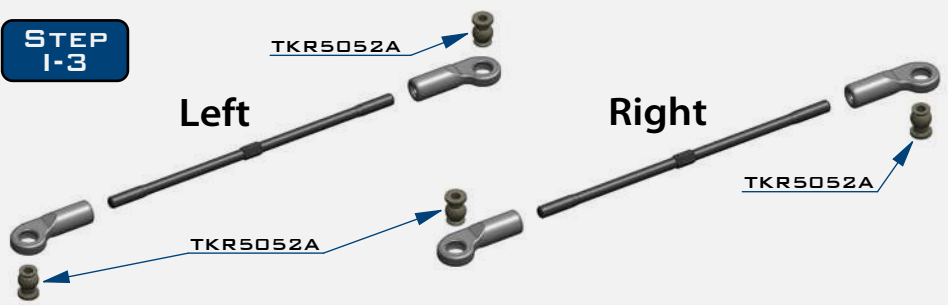


x4
TKRBBO50825
BALL BEARING (5x8x2.5)

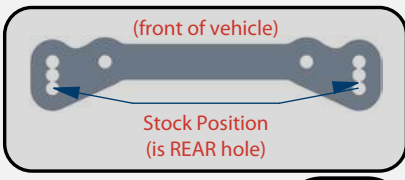
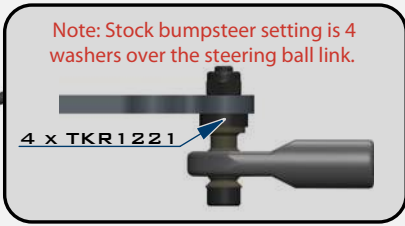
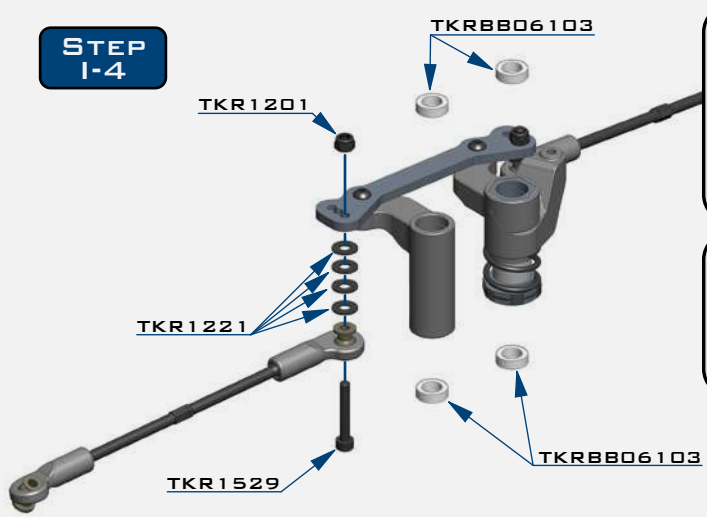


x4
TKRBBO6103
BALL BEARING (6x10x3)

STEP I-3



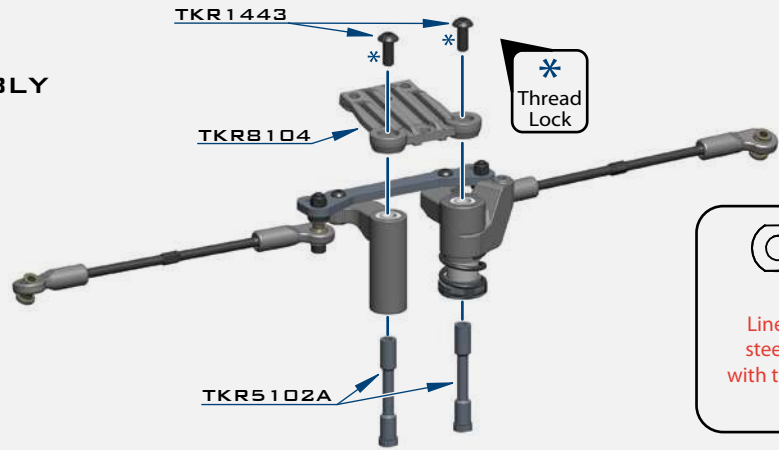
STEP I-4



BAG J

FRONT END ASSEMBLY

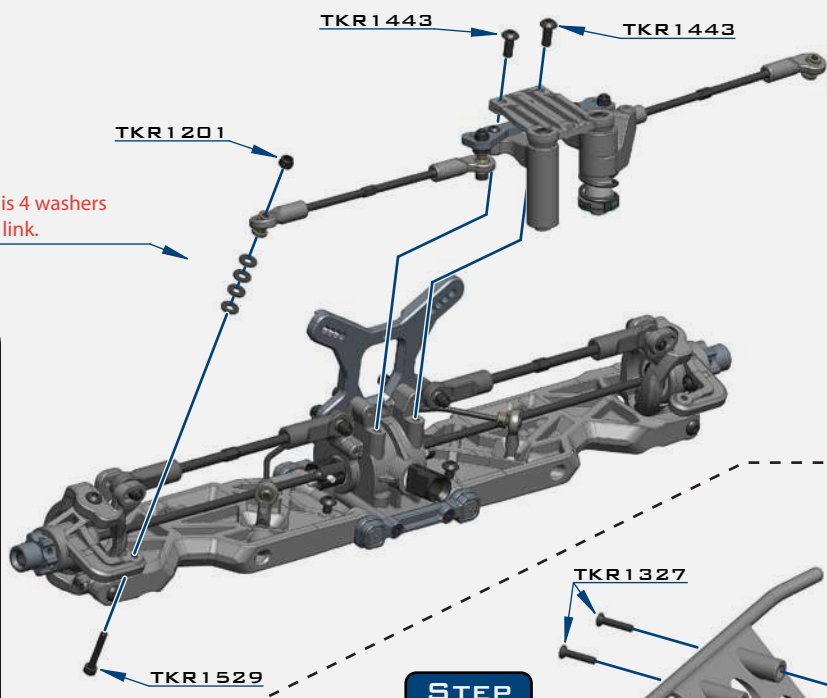
STEP J-1





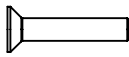

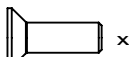
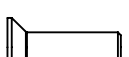
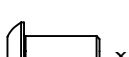

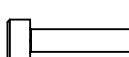
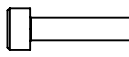
Note Step J-4:
Line up the bottom of the steering posts (TKR5102A) with the corresponding recess cut in the chassis.

STEP J-2

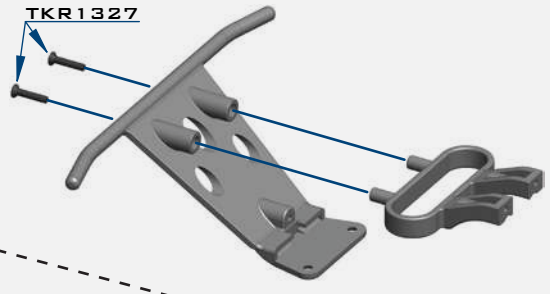
Note: Initial bumpsteer setting is 4 washers below the steering ball link.



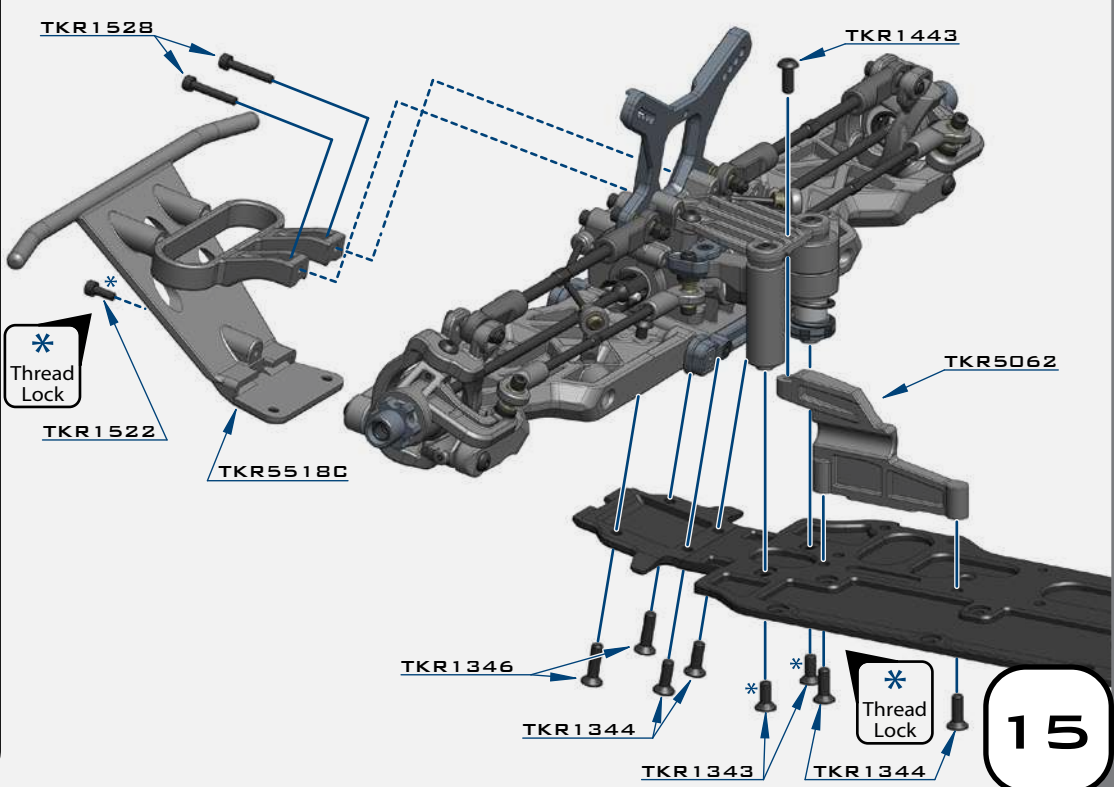
Note: on steps J-1, J-2 and J-4 Do not tighten the chassis screws all the way down until the assembly steps are complete. Position the entire front assembly on the chassis and tighten each screw evenly.

-  x2
TKR1201
M3 LOCK NUT BLACK
-  x8
TKR1221
M3x8MM WASHER
-  x2
TKR1327
M3x16MM FLAT HEAD SCREW
-  x2
TKR1343
M4x10MM FLAT HEAD SCREW
-  x4
TKR1344
M4x12MM FLAT HEAD SCREW
-  x2
TKR1346
M4x15MM FLAT HEAD SCREW
-  x5
TKR1443
M4x10MM BUTTON HEAD SCREW
-  x1
TKR1522
M3x8MM CAP HEAD SCREW
-  x2
TKR1528
M3x18MM CAP HEAD SCREW
-  x2
TKR1529
M3x20MM CAP HEAD SCREW

STEP J-3



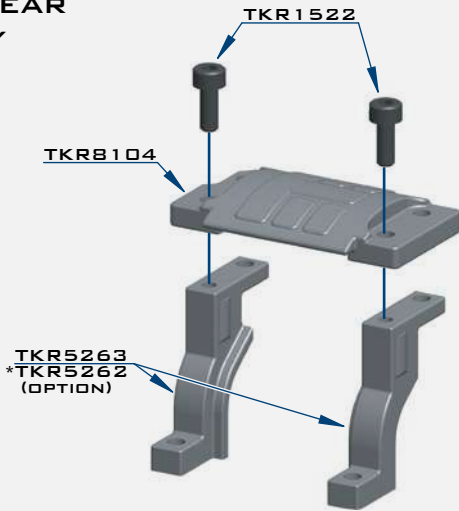
STEP J-4



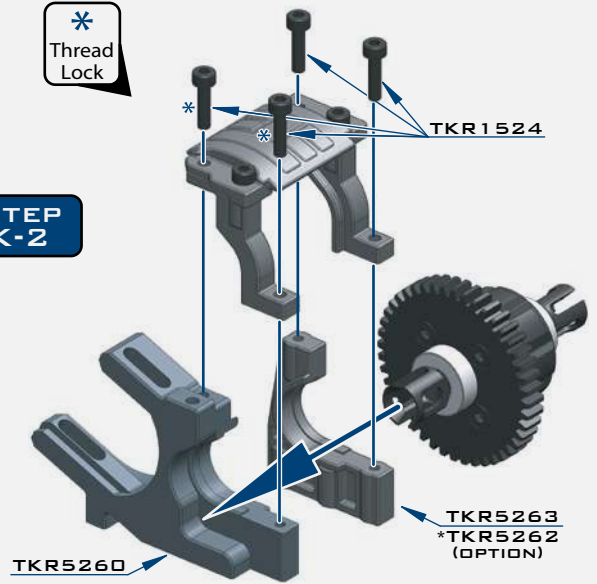
BAG K

CENTER/REAR ASSEMBLY

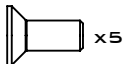
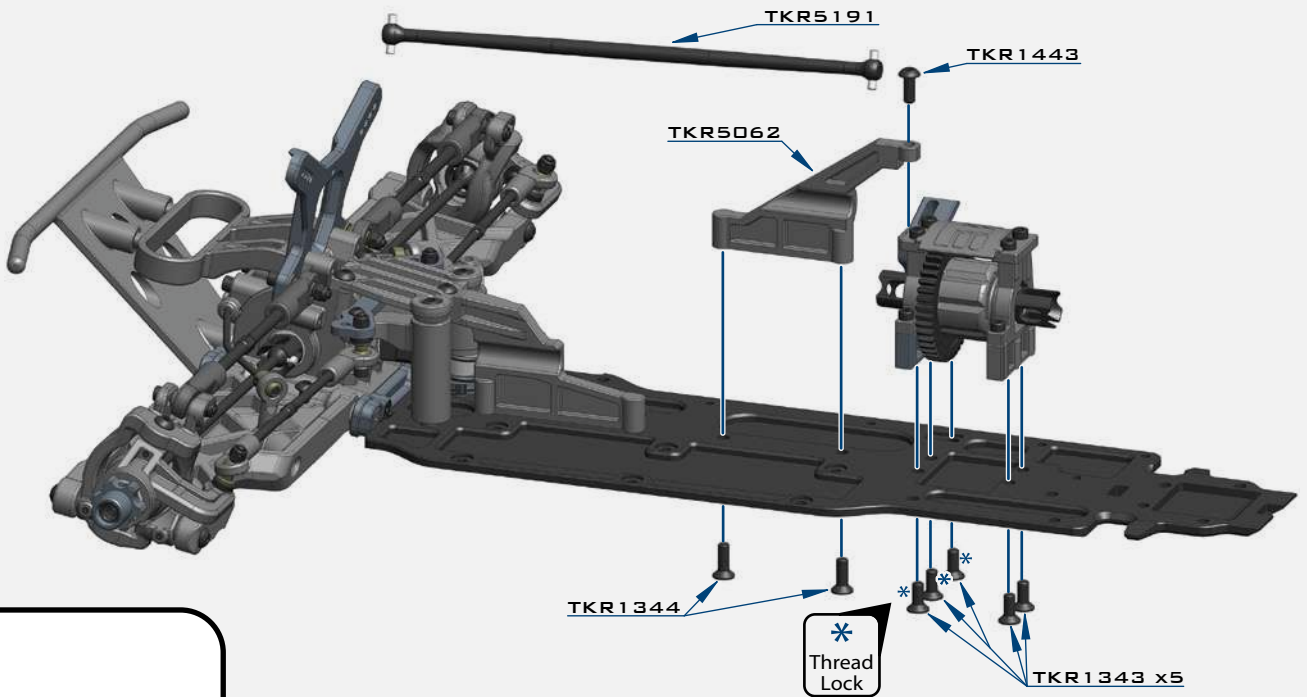
STEP K-1



STEP K-2



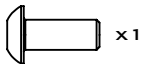
STEP K-3



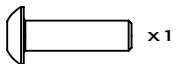
x5
TKR1343
M4X10MM FLAT HEAD SCREW



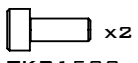
x7
TKR1344
M4X12MM FLAT HEAD SCREW



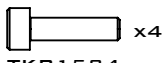
x1
TKR1443
M4X10MM BUTTON HEAD SCREW



x1
TKR1445
M4X14MM BUTTON HEAD SCREW

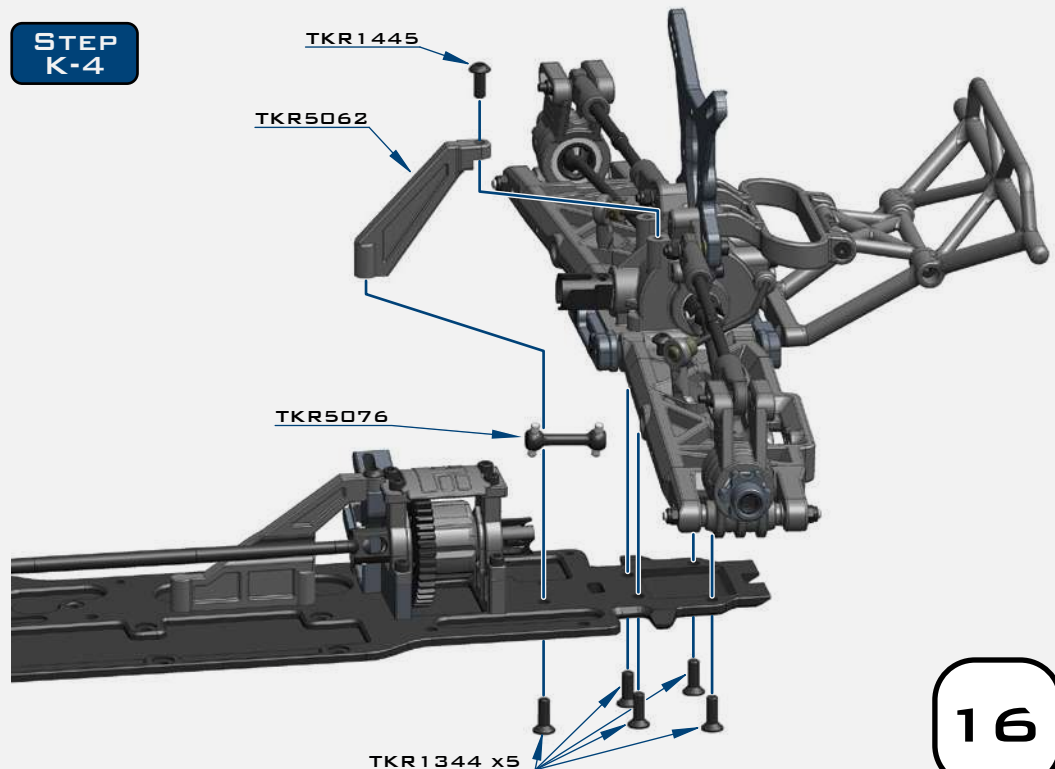


x2
TKR1522
M3X8MM CAP HEAD SCREW



x4
TKR1524
M3X12MM CAP HEAD SCREW

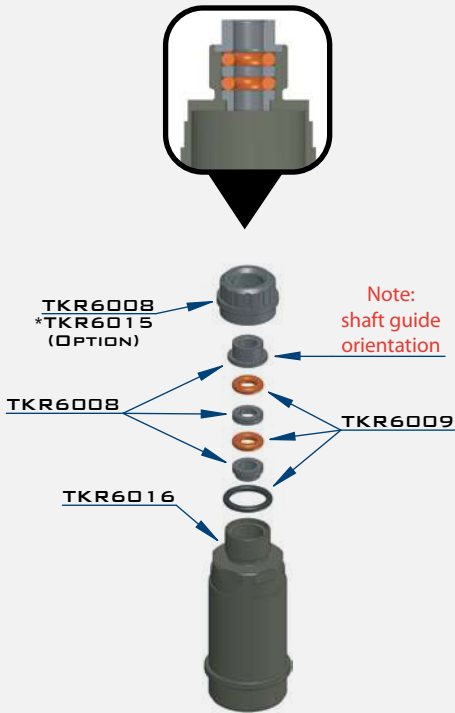
STEP K-4



BAG L

FRONT SHOCK ASSEMBLY

STEP L-1



STEP L-2

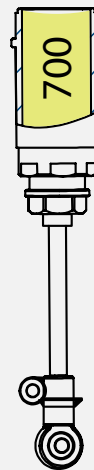


STEP L-3

Refer to filling instructions on page 19 during this step.

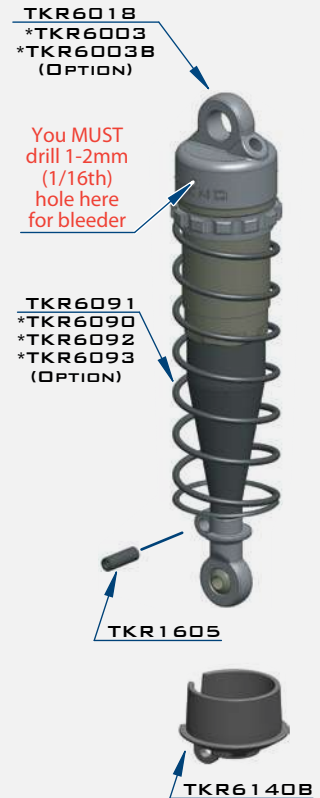
(OPTION)


Use #700wt oil FRONT




STEP L-4

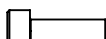
Note: Make sure to tighten both cartridge cap (TKR6008) and shock cap (TKR6018) to ensure a proper seal. Tools may be required.




 x2
TKR1200
M2.5 LOCK NUT ZINC

 x2
TKR1211
M3 LOCK NUT FLANGE BLACK

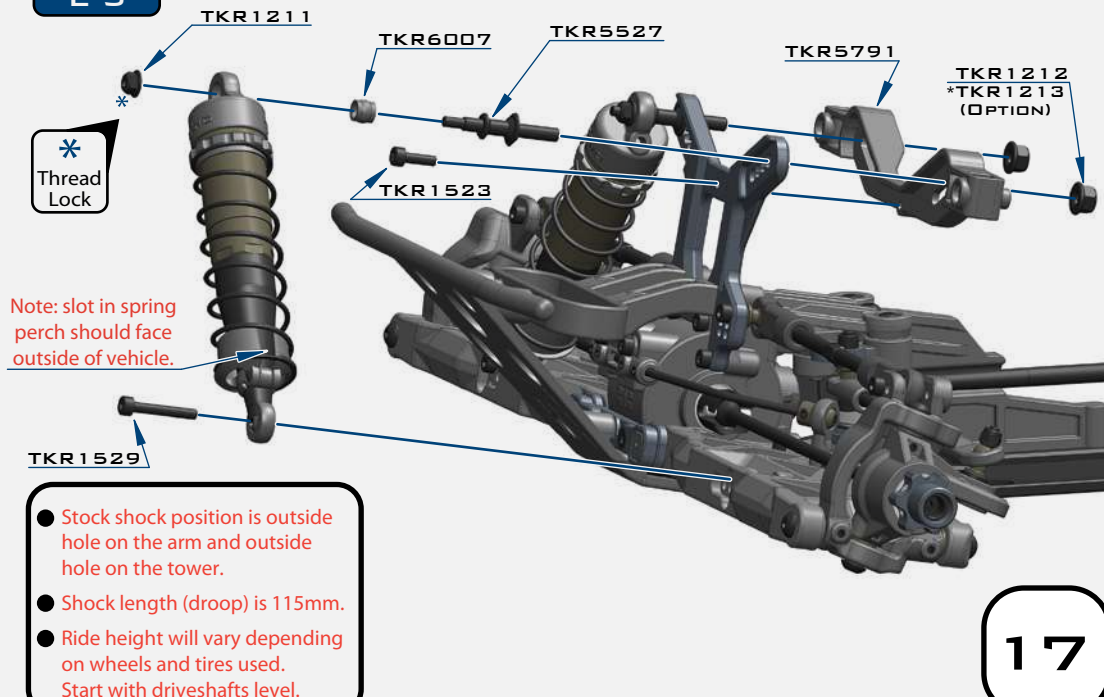
 x2
TKR1212
M4 LOCK NUT FLANGE

 x1
TKR1523
M3X10MM CAP HEAD SCREW

 x2
TKR1529
M3X20MM CAP HEAD SCREW

 x2
TKR1605
M3X10MM SET SCREW

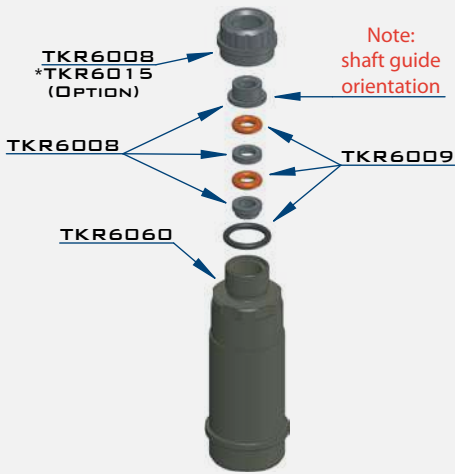
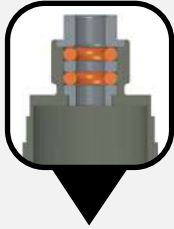
STEP L-5



BAG M

REAR SHOCK ASSEMBLY

STEP M-1



STEP M-2



STEP M-3

Refer to filling instructions on page 19 during this step.

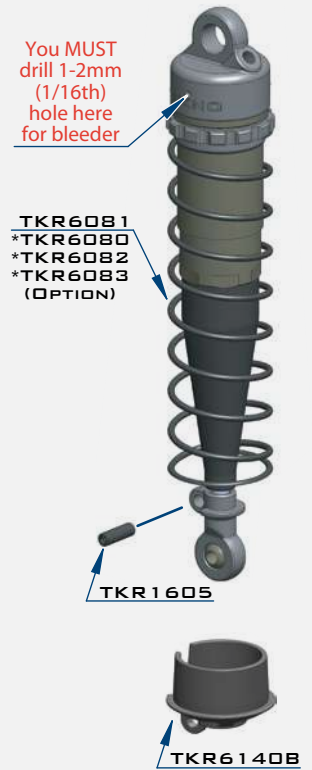
Use #700wt oil REAR



STEP M-4

Note: Make sure to tighten both cartridge cap (TKR6008) and shock cap (TKR6018) to ensure a proper seal. Tools may be required.

You MUST drill 1-2mm (1/16th) hole here for bleeder



x2
TKR1200
M2.5 LOCK NUT ZINC

x2
TKR1211
M3 LOCK NUT FLANGE BLACK

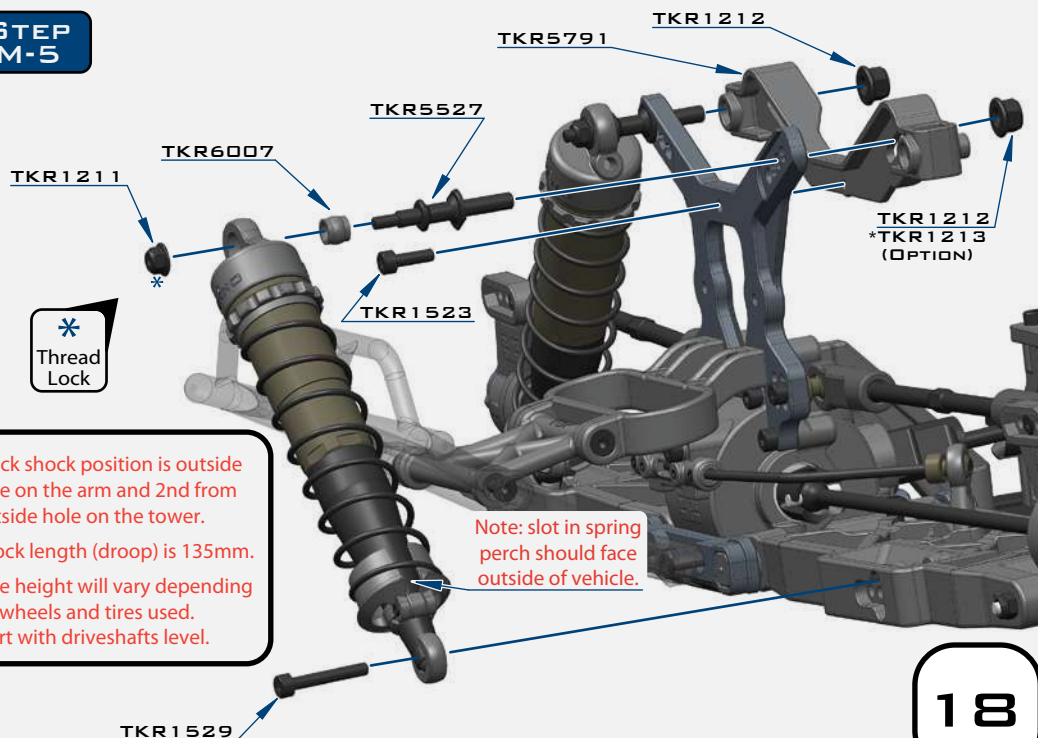
x2
TKR1212
M4 LOCK NUT FLANGE

x1
TKR1523
M3x10MM CAP HEAD SCREW

x2
TKR1529
M3x20MM CAP HEAD SCREW

x2
TKR1605
M3x10MM SET SCREW

STEP M-5



- Stock shock position is outside hole on the arm and 2nd from outside hole on the tower.
- Shock length (droop) is 135mm.
- Ride height will vary depending on wheels and tires used. Start with driveshafts level.

SHOCK FILLING INSTRUCTIONS

FOR BOTH FRONT AND REAR SHOCKS

We've found it's easiest to complete steps 1 through 4 on each shock before moving onto step 5. By the time you've finished step 4 on the last shock the first one will be ready for step 5.

Step 1. Drill a small bleeder hole on the side of all 4 shock caps with a 1-2mm or 1/16" drill bit. There's a small dimple on the side of the shock caps over the logo to help guide the bit. Remove the flashing leftover from drilling, insert bladder and set aside.

Step 2. Extend the shock shaft all the way down. Fill the shock with oil until the body is approximately 95% full.

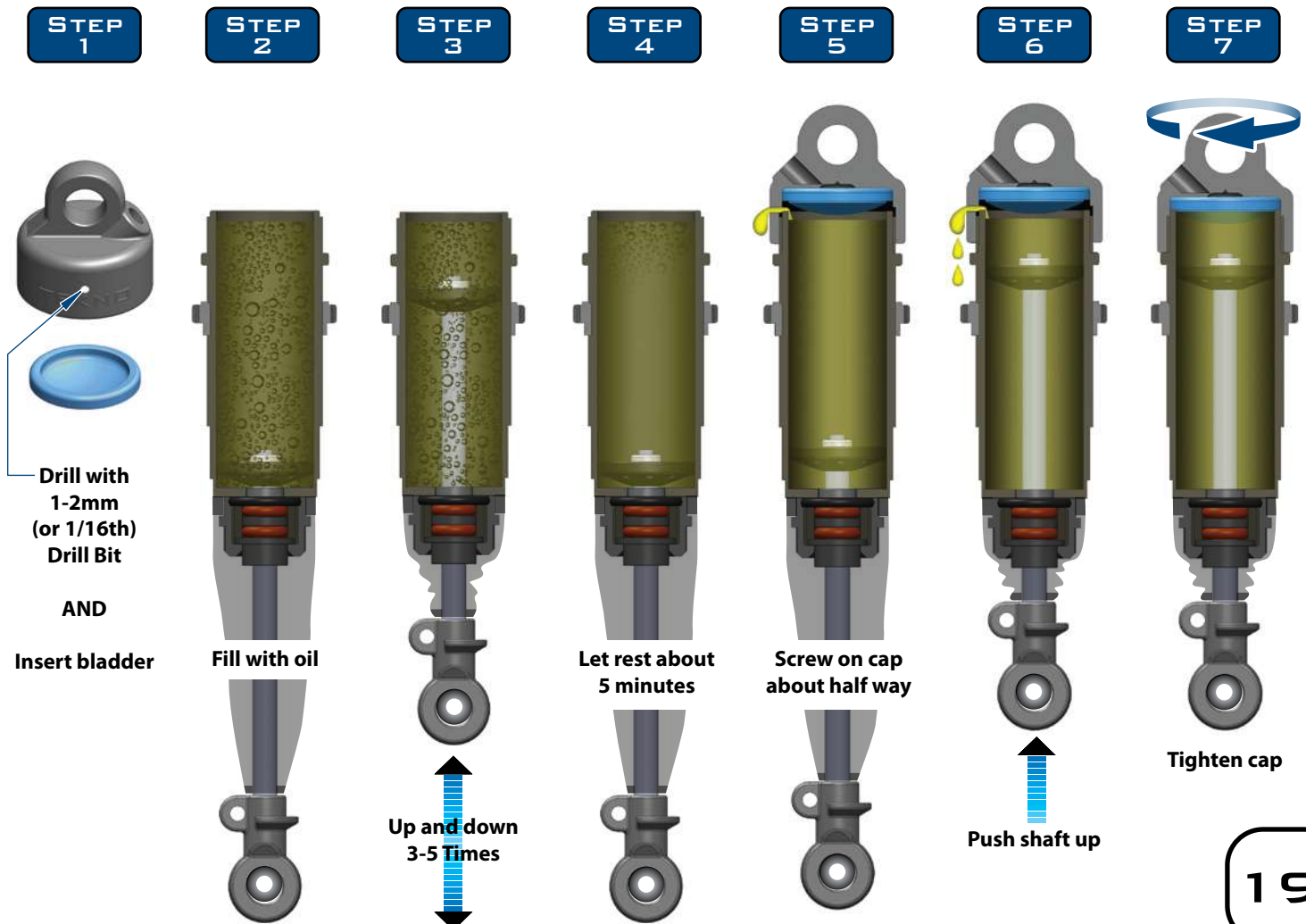
Step 3. SLOWLY pump the shock shaft up and down 3-5 times to release air bubbles from underneath the piston.

Step 4. Let the shock rest vertically with the shock shaft fully extended for approximately five minutes or until all of the air bubbles have released from the oil.

Step 5. Top off each shock with oil (about 1-2mm below the rim of the shock body). Add a few drops of oil on top of each bladder inside of the caps. Put a paper towel down to catch excess oil and have another ready to wipe the shock with. Place the cap on the shock and screw on about half way. Some oil will leak out.

Step 6. Push the shock shaft up to about 90% to set rebound. Some oil will leak out.

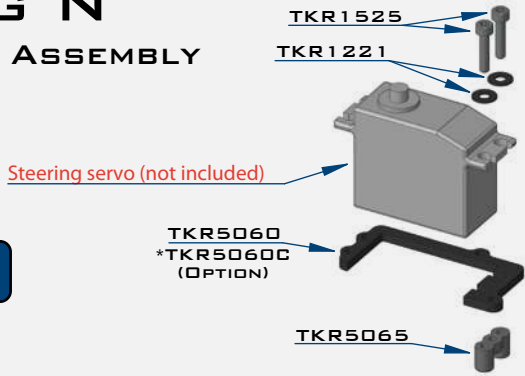
Step 7. While holding the shock shaft at 90%, fully tighten the shock cap.



BAG N

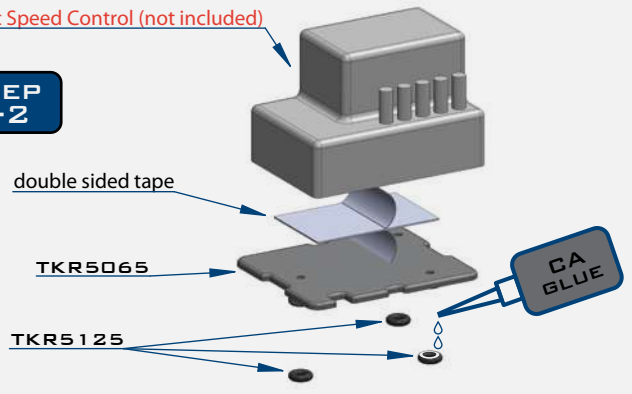
FINAL ASSEMBLY

STEP N-1



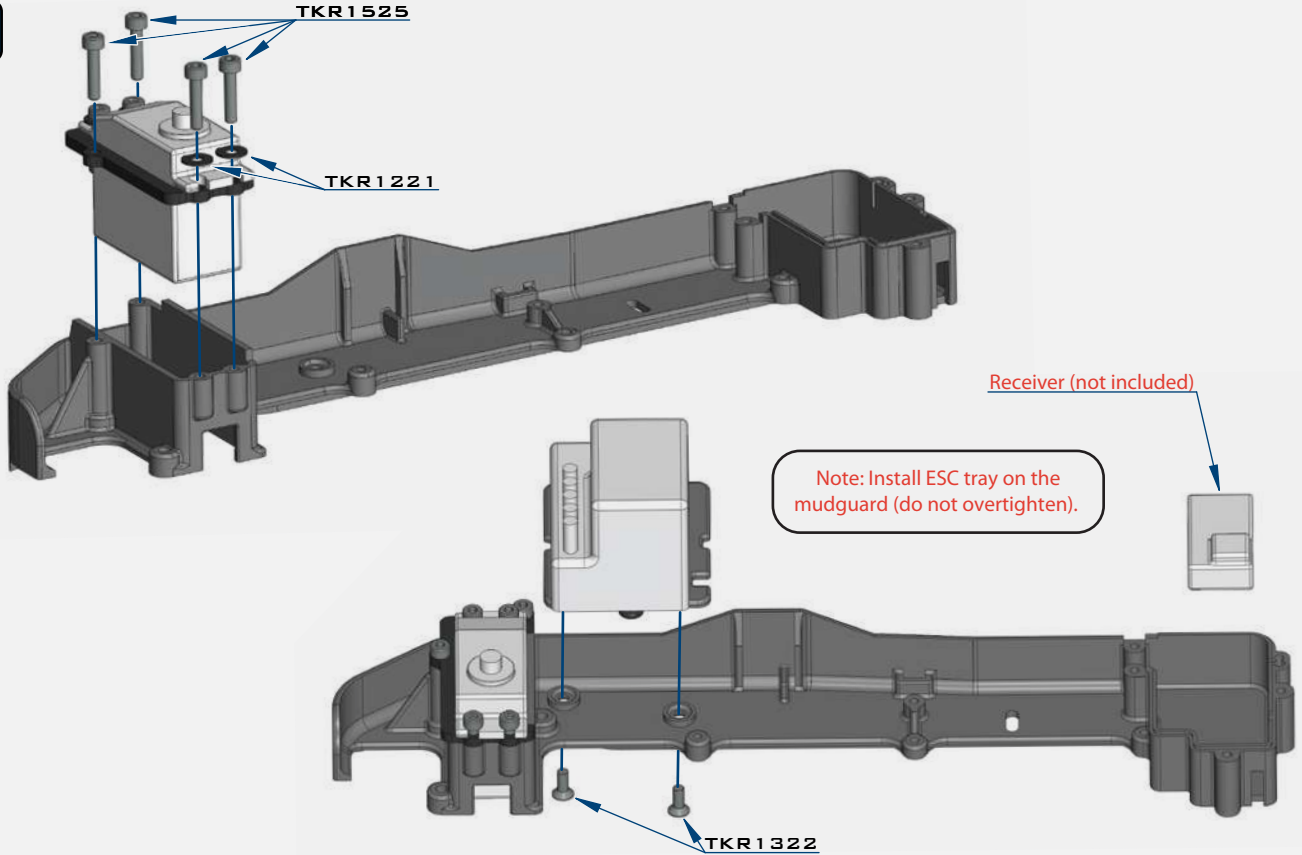
Electronic Speed Control (not included)

STEP N-2



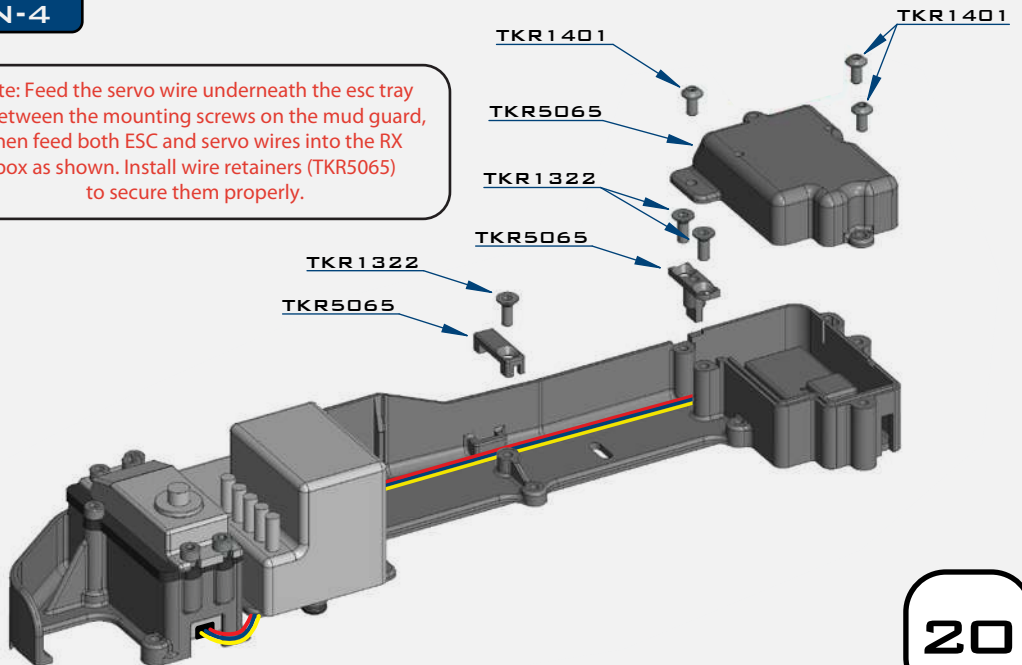
Note: CA glue 3 black o-rings (TKR5125) to the bottom legs of the ESC tray.

STEP N-3



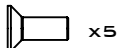
STEP N-4

Note: Feed the servo wire underneath the esc tray in between the mounting screws on the mud guard, then feed both ESC and servo wires into the RX box as shown. Install wire retainers (TKR5065) to secure them properly.



x4

TKR1221
M3X8MM WASHER



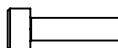
x5

TKR1322
M3X8MM FLAT HEAD SCREW



x6

TKR1401
M3X6MM BUTTON HEAD SCREW



x6

TKR1525
M3X14MM CAP HEAD SCREW



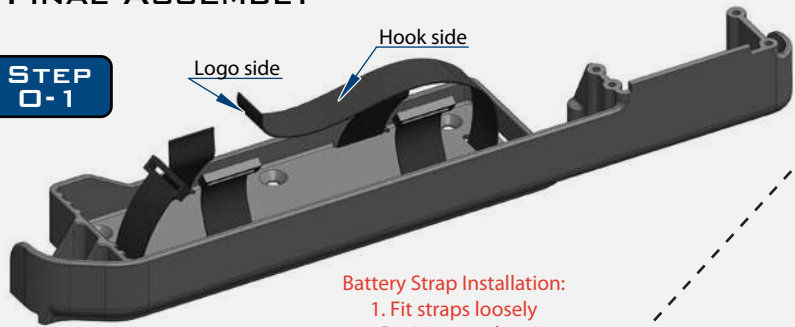
x3

TKR5125
O-RING 3X7MM

BAG 0

FINAL ASSEMBLY

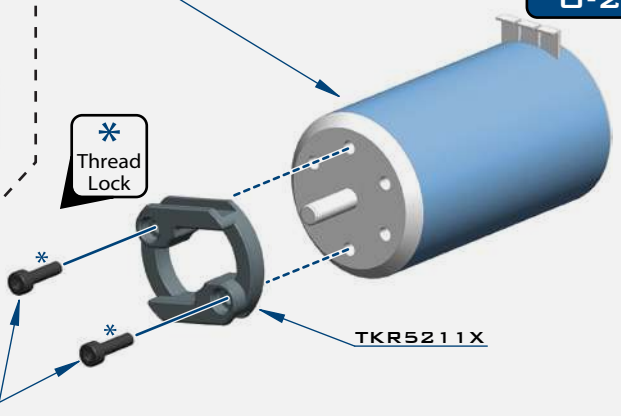
STEP 0-1



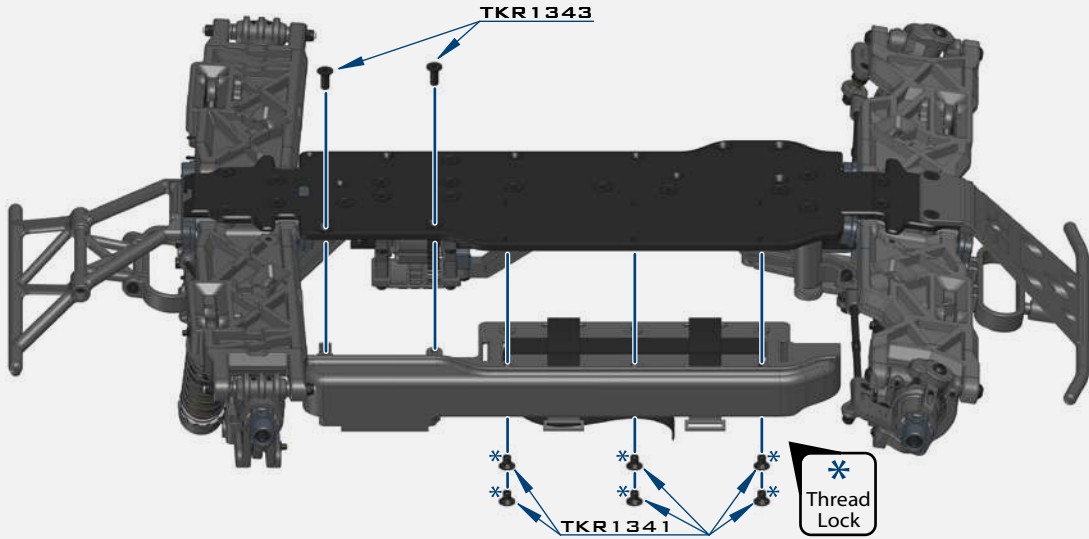
Battery Strap Installation:
 1. Fit straps loosely
 2. Position on chassis
 3. Proceed to step 0-2

Motor (not included)

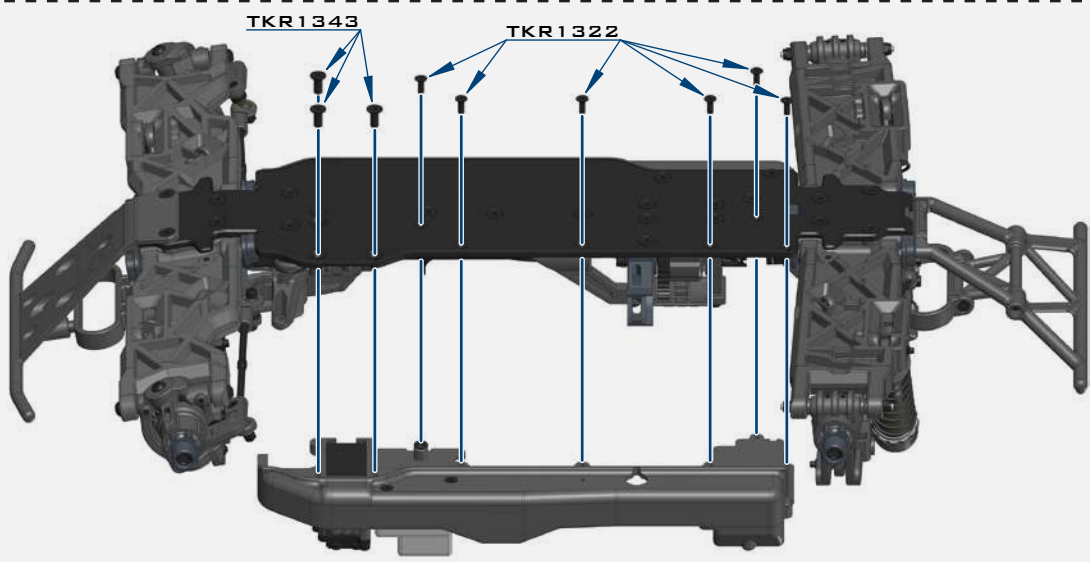
STEP 0-2



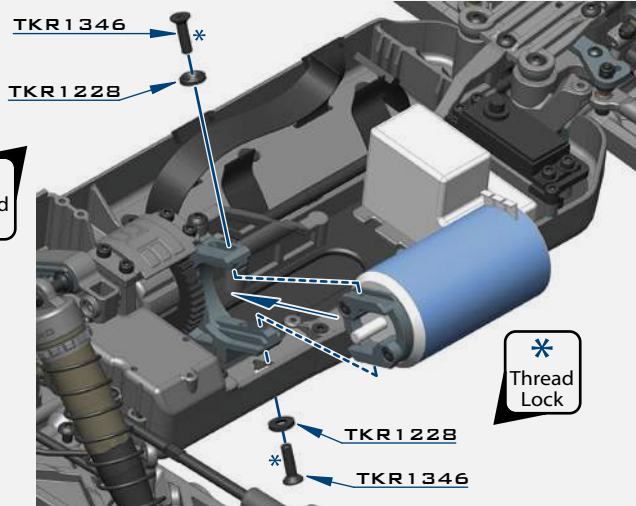
STEP 0-3




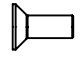
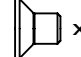
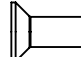
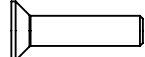
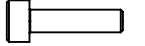
STEP 0-4



STEP 0-5



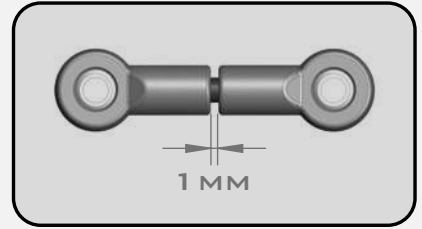
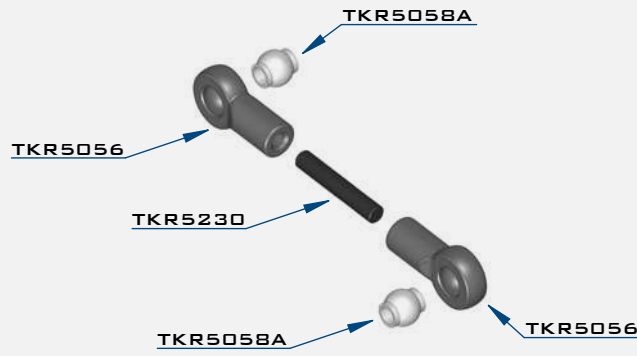
Note: Install MOD1 pinion 15t - 25t (TKR4175-4185) at this step. Adjust gear mesh and tighten screws (TKR1346) well. *Use thread lock.

-  X2
TKR1228
M4 COUNTERSUNK WASHER
-  X6
TKR1322
M3X8MM FLAT HEAD SCREW
-  X6
TKR1341
M4X6MM FLAT HEAD SCREW
-  X5
TKR1343
M4X10MM FLAT HEAD SCREW
-  X2
TKR1346
M4X15MM FLAT HEAD SCREW
-  X2
TKR1524
M3X12MM CAP HEAD SCREW

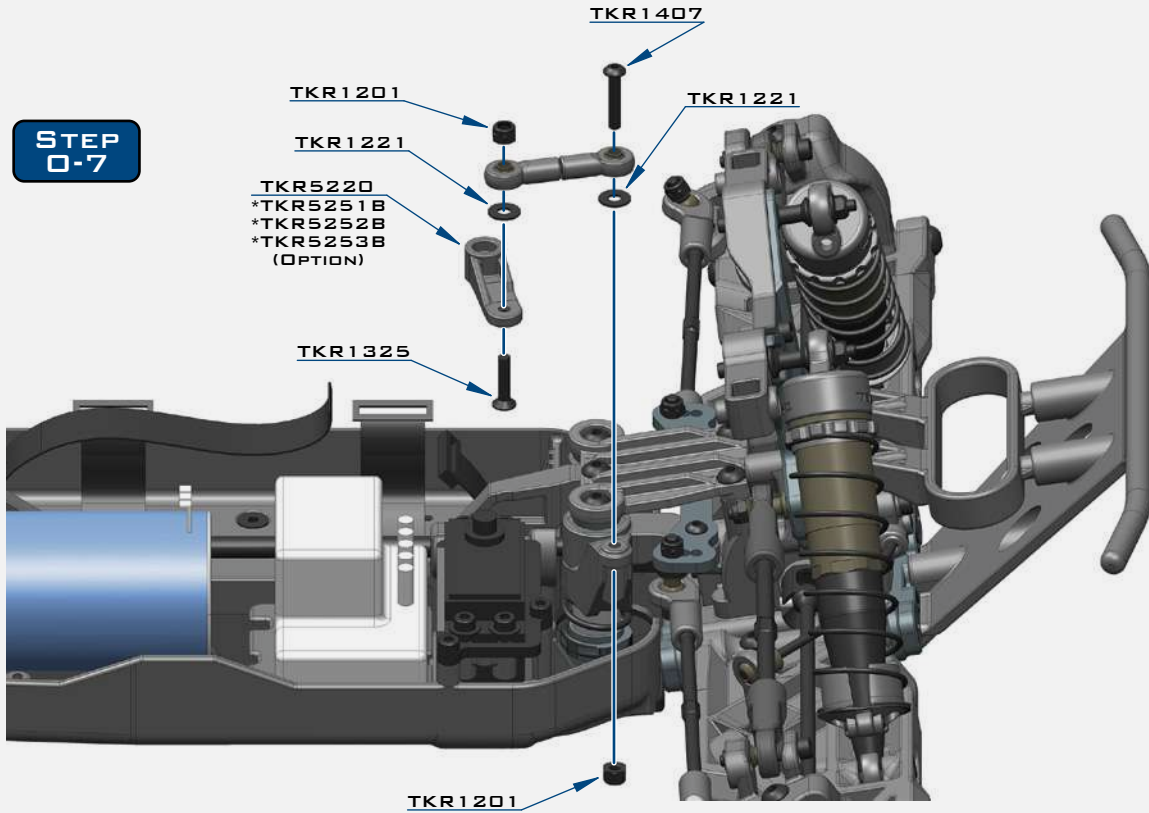
BAG 0


FINAL ASSEMBLY

STEP 0-6




STEP 0-7

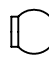


 x2
TKR1201
M3 LOCK NUT BLACK

 x2
TKR1221
M3X8MM WASHER

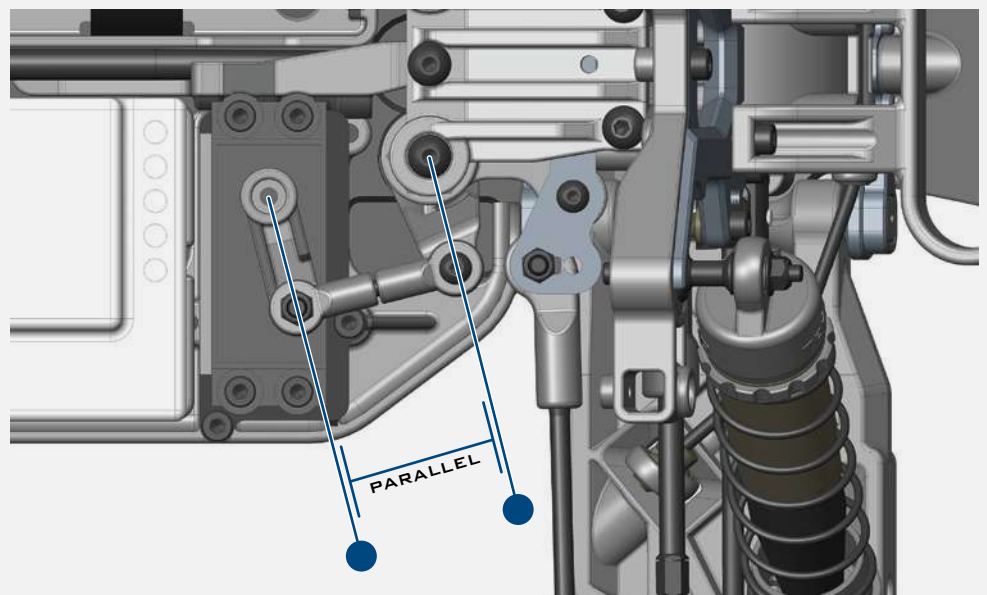
 x1
TKR1325
M3X14MM FLAT HEAD SCREW

 x1
TKR1407
M3X16MM BUTTON HEAD SCREW

 x2
TKR5058A
PIVOT BALL M3X5.8MM
NO FLANGE

 x1
TKR5230
M3X18 THREADED ROD

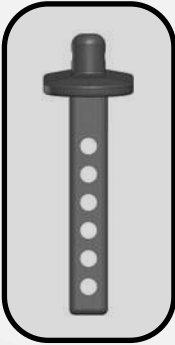
STEP 0-8



Note: Offset servo arm so it is parallel with the connecting arm at neutral or zero servo position.

BAG P

BODY MOUNTS

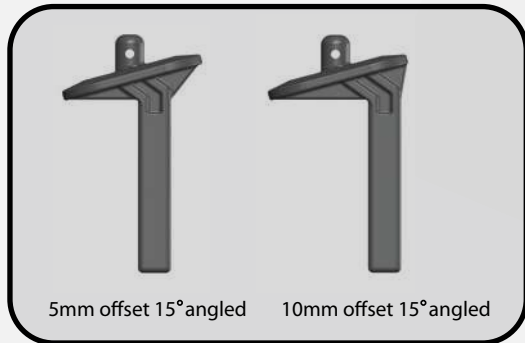


Insert post and adjust height to provide proper body clearance

FRONT

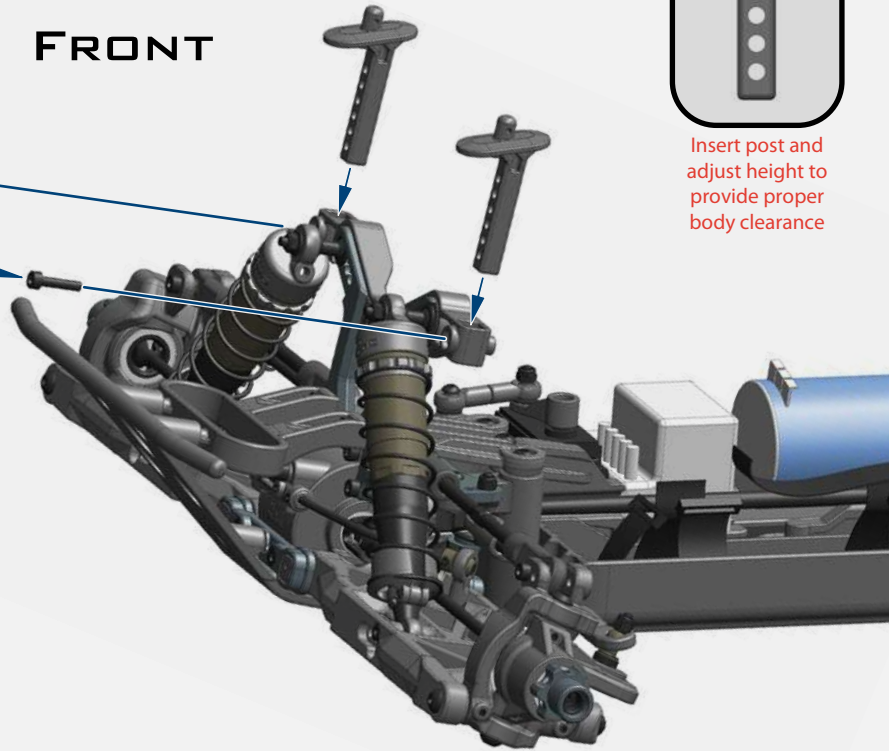
STEP P-1

TKR1525



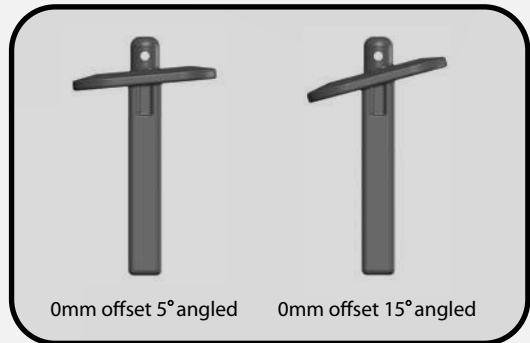
5mm offset 15° angled 10mm offset 15° angled

Choose the post with the offset that matches your specific body holes



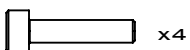
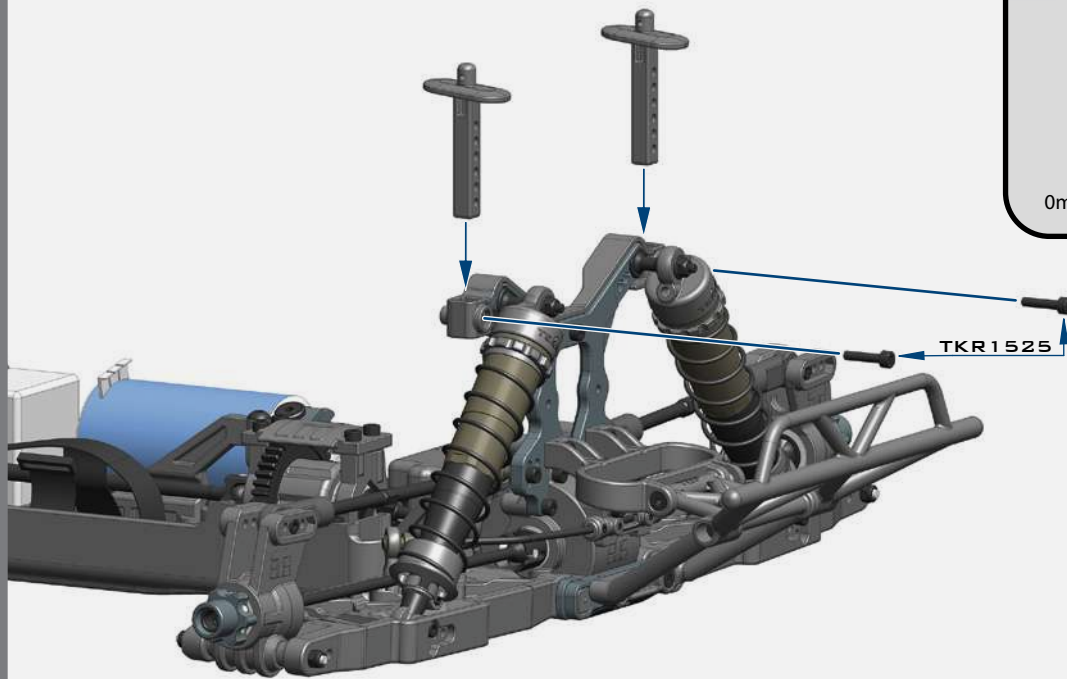
REAR

STEP P-2



0mm offset 5° angled 0mm offset 15° angled

Choose the post with the angle that matches your specific body



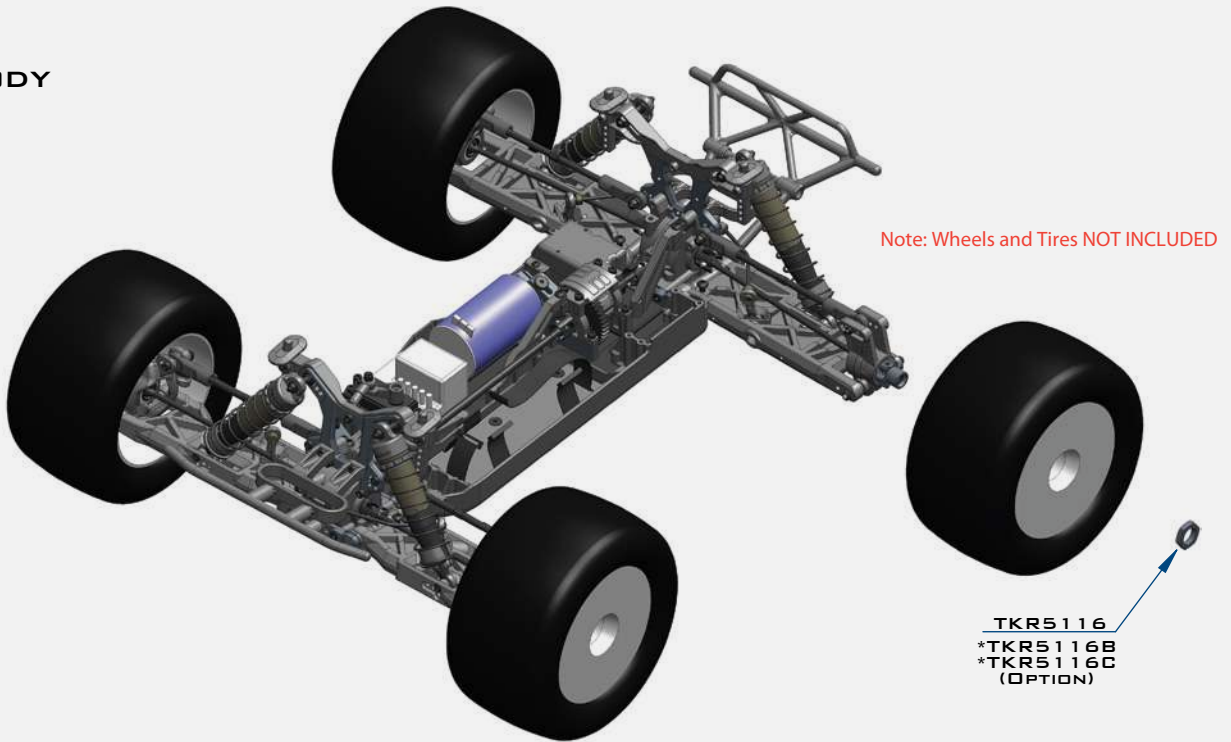
x4

TKR1525
M3X14MM CAP HEAD SCREW

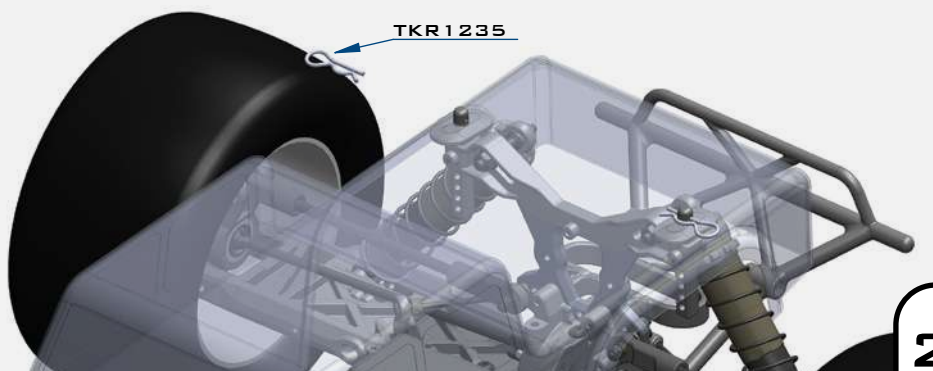
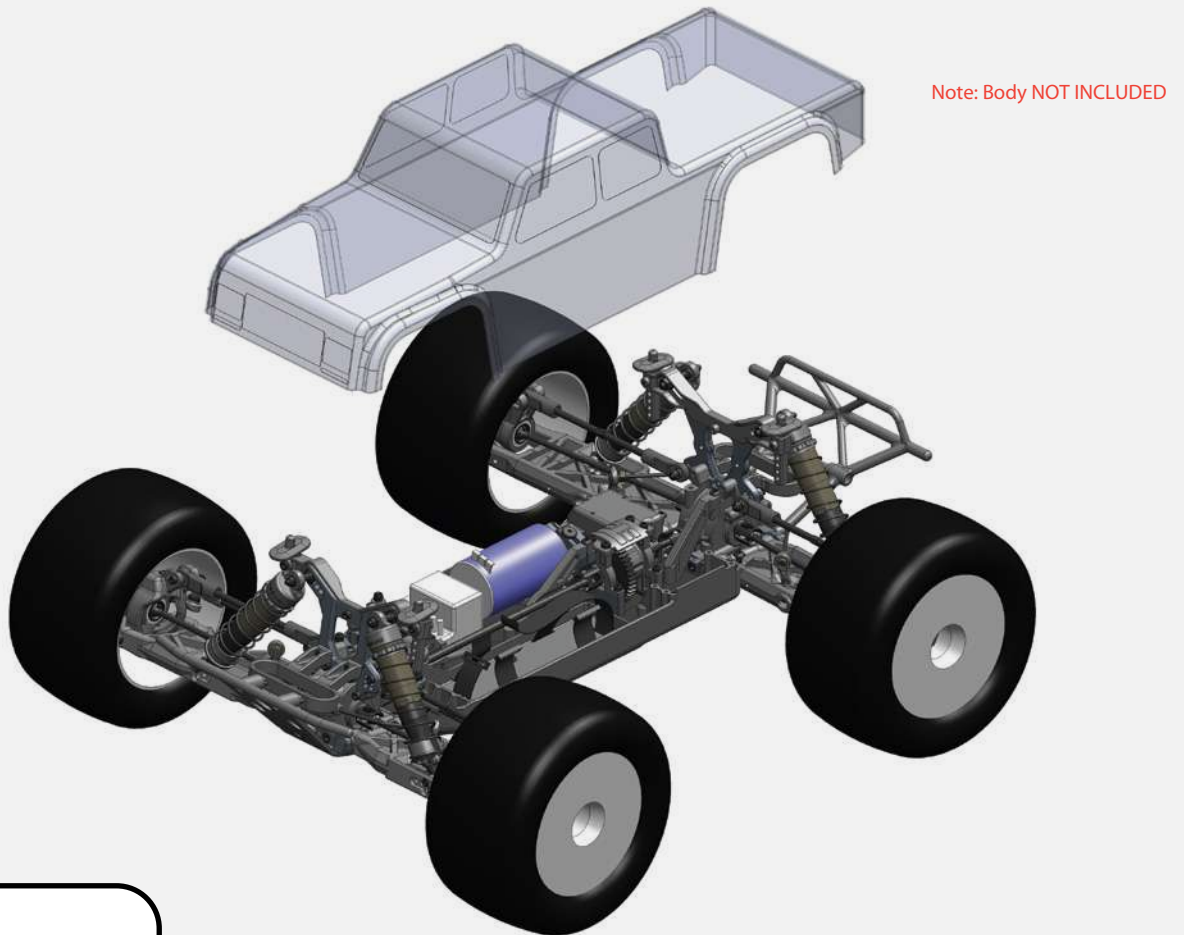
BAG P

WHEELS/BODY

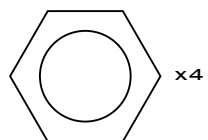
STEP
P-3



STEP
P-4



TKR1235
BODY CLIP



TKR5116
WHEEL NUT

TKR5603 - MT410.3 - 1/10th Electric 4x4 Pro Monster Truck Kit

Parts List

TKR40007K - Battery Straps (2 short, 1 long)
TKR5010 - Battery Tray, Mud Guard (left side, EB48)
TKR5011 - Radio Tray, Mud Guard (right side, EB48)
TKR5012 - Gearbox (front, EB48)
TKR5016B - Gearbox (rear, angled, 5x13x4mm bearing)
TKR5020 - Hinge Pins (inner, front/rear, EB48)
TKR5028 - Shock Tower (front, 7075 NC, gun metal ano, EB48)
TKR5029 - Shock Tower (rear, 7075 NC, gun metal ano, EB48)
TKR5034 - Hinge Pins (outer, rear, EB48)
TKR5049A - Pivot Balls (6.8mm, no flng, sway bar, shck ends, almmn, 4pcs, EB48)
TKR5052A - Pivot Balls (6.8mm, inside camber, strng links, aluminum, 4pcs, EB48)
TKR5053A - Pivot Balls (6.8mm, flanged, outside camber, aluminum, 4pcs, EB48)
TKR5054A - Spindle Bushings (4pcs, aluminum, hard ano, EB48)
TKR5055A - Arm Bushings (4pcs, aluminum, hard ano, EB48)
TKR5056 - Rod Ends (5.8mm, brake/steering/sway bar linkage, 8pcs, EB48)
TKR5058A - Pivot Balls (5.8mm, no flange, brake/string link, aluminum, 4pcs, EB48)
TKR5060 - Steering Servo Brace (aluminum, gun metal ano, EB48)
TKR5062 - Chassis Brace Set (front/rear/center, EB48)
TKR5065 - ESC Tray and Radio/Battery Tray Accessories (EB48)
TKR5070 - Stub Axles (hardened steel, 2pcs, EB48)
TKR5071C - Wheel Hubs (aluminum, lightened, 2mm offset, w/pins, 2pcs, EB48)
TKR5073 - CV Rebuild kit (f/r, for 2 axles, EB48)
TKR5075 - Diff Coupler (f/r, hardened steel, EB48)
TKR5076 - Driveshaft (center, rear, hardened steel, EB48)
TKR5079A - Stabilizer Balls (6.8mm, sway bars, aluminum, 4pcs, EB48)
TKR5086 - Sway Bar Mounts (EB48)
TKR5101X - Servo Saver Spring (HD, EB48, SCT410, NB48)
TKR5102A - Steering Posts (aluminum, gun metal ano, EB48)
TKR5103 - Servo Saver Post (aluminum, hard ano, EB48)
TKR5116 - Wheel Nuts (serrated, gun metal ano, 4pcs, EB48)
TKR5122 - Steering Rack Bushings (aluminum, gun metal ano, 2pcs)
TKR5125 - O-Ring (ESC tray, 3pcs)
TKR5126 - Antenna tube (universal, w/ caps, 5pcs)
TKR5161 - V2 Adjustable Hinge Pin Brace ("A" block, 7075 CNC aluminum, EB/NB/ET/NT/SCT)
TKR5162 - V2 Adjustable Hinge Pin Brace ("B" block, 7075 CNC aluminum, EB/NB/ET/NT/SCT)
TKR5163 - V2 Adjustable Hinge Pin Brace ("C" block, 7075 CNC aluminum, EB/NB/ET/NT/SCT)
TKR5164 - V2 Adjustable Hinge Pin Brace ("D" block, 7075 CNC aluminum, EB/NB/ET/NT/SCT)
TKR5165 - V2 Hinge Pin Inserts, Wheelbase Shims (EB/NB/ET/NT/SCT)
TKR5187 - Rod Ends (straight, 6.8mm, EB/NB/ET/NT48, 8pcs)
TKR5191 - Tapered Driveshaft (center, front, 7075 aluminum, black ano, EB48/ET48)
TKR5193 - Spindles (trailing, L/R, requires TKR5194, EB/NB/ET/NT48, EB/NB.3)
TKR5194 - Spindle Carriers (trailing, 15 degree, L/R, EB/NB/ET/NT48, EB/NB.3)
TKR5199 - Rear Hubs (L/R, CV or uni, EB/NB/ET/NT48, EB/NB.3)
TKR5211X - Motor Mount Insert (aluminum, gun metal anodized, lightened)
TKR5220 - Servo Horns (steering, brakes)
TKR5230 - Steering linkage (M3x18mm threaded rod, 10pcs)
TKR5231 - Servo Saver Nut and Spring
TKR5260 - CNC Split Cntr Diff Mount (mtr mnt only, 7075, gun metal ano, EB/ET/SCT)
TKR5263 - Split Cntr Diff Mount (composite, requires TKR5260, EB/ET/SCT/SL)
TKR5288 - Chassis (7075, black anodized, lightened)
TKR5424 - Turnbuckle (steering links, 2pcs, MT410)
TKR5430 - Suspension Arms (rear, 2pcs, ET48, NT48)
TKR5436 - Suspension Arms (front, 2pcs, ET48, NT48)
TKR5450 - Turnbuckle (camber link, rear, 2pcs, ET48, NT48)
TKR5451 - Turnbuckle (camber link, front, 2pcs, ET48, NT48)
TKR5472 - Driveshafts (f/r, hardened steel, 2pcs, ET48, NT48)
TKR5483 - Sway Bar (front, 2.6mm, ET48, NT48)
TKR5494 - Sway Bar (rear, 2.8mm, ET48, NT48)
TKR5518C - Front Bumper Set (SCT410, revised w/ skid)
TKR5527 - Shock Standoffs (SCT410, 2pcs)
TKR5791 - Body Mount Set (front, rear, SCT410)
TKR5799 - Rear Bumper Set (SCT410)
TKR8100 - Ackerman Plate (aluminum, gun metal ano, EB48)
TKR8104 - Steering Bell Cranks, Steering/Center Diff Top Plate

Differential List

TKR5113 - Differential Case (f/c/r)
TKR5114XB - Differential Outdrives (f/r, lightened, revised)
TKR5143 - Differential Seals (3pcs)
TKR5144 - Differential O-Rings (6pcs)
TKR5145B - Differential Shims (6x17x3.3mm, 6pcs, revised)
TKR5149 - Differential Cross Pins (6pcs, requires TKR5150)
TKR5150 - Differential Gear Set (internal gears only)
TKR5237K - Spur Gear (44t, black, composite, EB48)
TKR5403 - Differential Ring Gear (40t, NT48 fr, ET48 fr/rr)
TKR5405 - Diff Pinion (straight cut, 9t, CNC, ET48/NT48)

Shocks List

TKR6007 - Shock Cap Bushings (4pcs, EB/NB/ET/NT/SCT)
TKR6008 - Shock Shaft Guide, Piston, and Bushing Set (for 2 shocks)
TKR6009 - Shock O-Ring and Bladder Set (for 2 shocks)
TKR6016 - Shock Body (rear, aluminum, hard ano, 2pcs)
TKR6017 - Shock Shafts (rear, steel, 2pcs)
TKR6018 - Shock Cap and Spring Adjuster Set (composite, for 2 shocks)
TKR6060 - Shock Body (rear, x-long, aluminum, hard ano, 2pcs)
TKR6061 - Shock Shafts (rear, x-long, steel, 2pcs)
TKR6081 - Shock Spring Set (1.6 x 10.0T, 95mm, green, 4.20 lb/in)
TKR6091 - Shock Spring Set (1.6 x 8.5T, 80mm, green, 5.17 lb/in)
TKR6140B - Locking Shock Rod End and Spring Perch Set (revised, 16mm shocks)
TKR6144 - Shock Boots (long length, rear EB/NB/SCT, front ET/NT, 2pcs)
TKR6145 - Shock Boots (XL length, rear ET/NT, 2pcs)

Bearings List

TKRBB050825 - Ball Bearing (5x8x2.5mm, 4pcs)
TKRBB05114 - Ball Bearing (5x11x4, 4pcs)
TKRBB05134 - Ball Bearing (5x13x4, 4pcs)
TKRBB06103 - Ball Bearing (6x10x3, 4pcs)
TKRBB08165 - Ball Bearing (8x16x5, 4pcs)
TKRBB13194 - Ball Bearing (13x19x4, 4pcs)

Hardware List

TKR1200 - M2.5 Locknuts (zinc finish, 10pcs)
TKR1201 - M3 Locknuts (black, 10pcs)
TKR1211 - M3 Locknuts (flanged, black, 10pcs)
TKR1212 - M4 Locknuts (flanged, black, 10pcs)
TKR1220 - M3 Countersunk Washers (aluminum, natural, 10pcs)
TKR1221 - M3x8mm Washer (black, 10pcs)
TKR1222 - 13x16x.1mm Diff Shims (10pcs)
TKR1226 - 5x7x.2mm shims (10pcs)
TKR1228 - M4 Countersunk Washers (black anodized, 10pcs)
TKR1235 - Body Clips (angled, 10pcs)
TKR1322 - M3x8mm Flat Head Screws (black, 10pcs)
TKR1325 - M3x14mm Flat Head Screws (black, 10pcs)
TKR1327 - M3x16mm Flat Head Screws (black, 10pcs)
TKR1333 - M3x40mm Flat Head Screws (black, 10pcs)
TKR1341 - M4x6mm Flat Head Screws (black, 10pcs)
TKR1343 - M4x10mm Flat Head Screws (black, 10pcs)
TKR1344 - M4x12mm Flat Head Screws (black, 10pcs)
TKR1346 - M4x15mm Flat Head Screws (black, 10pcs)
TKR1401 - M3x6mm Button Head Screws (black, 10pcs)
TKR1403 - M3x10mm Button Head Screws (black, 10pcs)
TKR1407 - M3x16mm Button Head Screws (black, 10pcs)
TKR1443 - M4x10mm Button Head Screws (black, 10pcs)
TKR1445 - M4x14mm Button Head Screws (black, 10pcs)
TKR1447 - M4x16mm Button Head Screws (black, 10pcs)
TKR1522 - M3x8mm Cap Head Screws (black, 10pcs)
TKR1523 - M3x10mm Cap Head Screws (black, 10pcs)
TKR1524 - M3x12mm Cap Head Screws (black, 10pcs)
TKR1525 - M3x14mm Cap Head Screws (black, 10pcs)
TKR1528 - M3x18mm Cap Head Screws (black, 10pcs)
TKR1529 - M3x20mm Cap Head Screws (black, 10pcs)
TKR1601 - M3x4mm Set Screws (black, 10pcs)
TKR1603 - M5x4mm Set Screws (black, 10pcs)
TKR1605 - Mx10mm Set Screws (black, 10pcs)

Option Parts

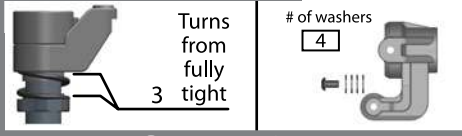
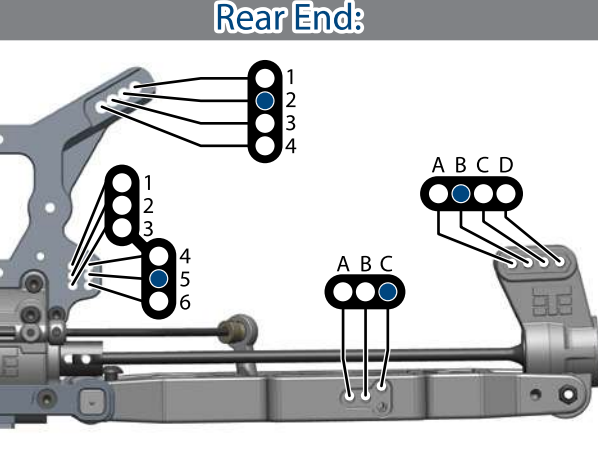
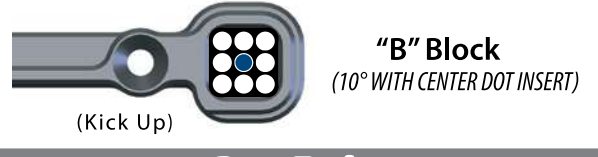
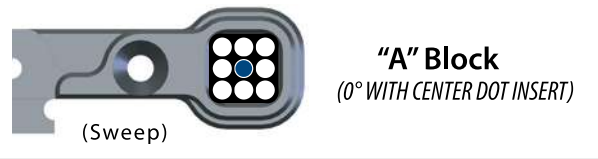
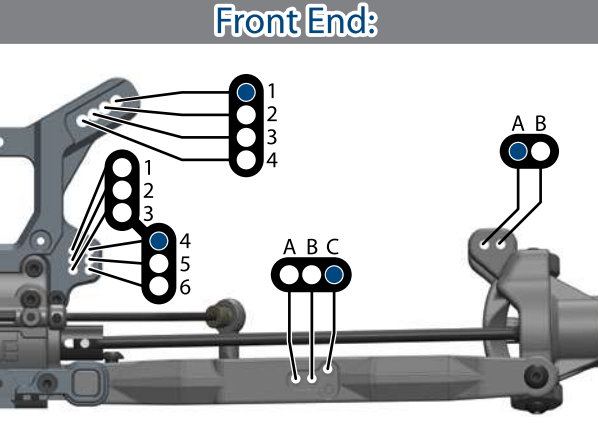
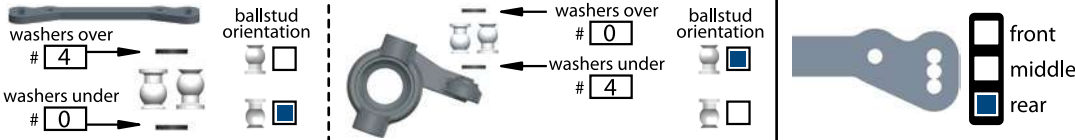
TKR1103 - Turnbuckle Wrench (4mm, 5mm, hardened steel)
TKR1104 - XT Hex Wrench (1.5mm, adjustable length, 4mm shank)
TKR1105 - XT Hex Wrench (2.0mm, adjustable length, 4mm shank)
TKR1106 - XT Hex Wrench (2.5mm, adjustable length, 4mm shank)
TKR1107 - XT Nut Driver (5.0mm, adjustable length, 4mm shank)
TKR1108 - XT Nut Driver (5.5mm, adjustable length, 4mm shank)
TKR1109 - XT Nut Driver (7.0mm, adjustable length, 4mm shank)
TKR1110 - XT Nut Driver (8.0mm, adjustable length, 4mm shank)
TKR1115 - Pivot Ball and Shock Multi-tool (aluminum)
TKR1119 - Wrench (5.5mm, 7.0mm, hardened steel)
TKR1125 - XT Hex Wrench (2.0mm ball end, adjustable length, 4mm shank)
TKR1126 - XT Hex Wrench (2.5mm ball end, adjustable length, 4mm shank)
TKR1213 - M4 Locknuts (aluminum, flanged, gun metal ano, serrated, 4pcs)
TKR5060C - Steering Servo Brace (carbon fiber, EB48)
TKR5070A - Stub Axles (7075 aluminum, hard ano, 2pcs)
TKR5115 - Spur Gear (44t, hardened steel, lightened, EB48)
TKR5116B - Wheel Nuts (T Logo, 17mm, serrated, gun metal ano, M12x1.0, 4pcs)
TKR5116C - Wheel Nuts (Star Logo, 17mm, serrated, gun metal ano, M12x1.0, 4pcs)
TKR5119 - Spur Gear (46t, hardened steel)
TKR5147 - Complete Center Differential (w/ plastic spur)
TKR5149A - Differential Cross Pins (aluminum, 6pcs, requires TKR5150)
TKR5199A - Aluminum Rear Hubs (gun metal ano, EB/NB/ET/NT, 2pcs)
TKR5237 - Spur Gear (44t, composite, EB48)
TKR5251B - Aluminum Servo Horn (23t spline, M3 clamp, double hole arm)
TKR5252B - Aluminum Servo Horn (24t spline, M3 clamp, double hole arm)
TKR5253B - Aluminum Servo Horn (25t spline, M3 clamp, double hole arm)
TKR5261 - CNC Split Cntr Diff Mnt (complete, 7075, gun metal ano, EB/ET/SCT)
TKR5262 - CNC Split Cntr Diff Mount (diff mounts only, 7075, gun metal ano, EB/ET/SCT)
TKR5433 - Rear Arm Mud Guards (ET48, NT48)
TKR5446 - Complete F/R Differential (ET48 fr/rr, NT48 front only)
TKR5480 - Sway Bar (front, 2.3mm, ET48, NT48)
TKR5481 - Sway Bar (front, 2.4mm, ET48, NT48)
TKR5482 - Sway Bar (front, 2.5mm, ET48, NT48)
TKR5484 - Sway Bar (front, 2.8mm, ET48, NT48)
TKR5485 - Sway Bar (front, 3.0mm, ET48, NT48)
TKR5490 - Sway Bar (rear, 2.3mm, ET48, NT48)
TKR5491 - Sway Bar (rear, 2.4mm, ET48, NT48)
TKR5492 - Sway Bar (rear, 2.5mm, ET48, NT48)
TKR5493 - Sway Bar (rear, 2.6mm, ET48, NT48)
TKR5495 - Sway Bar (rear, 3.0mm, ET48, NT48)
TKR5496 - Sway Bar (rear, 2.1mm, EB.3/NB.3/SL/SCT.3, ET48, NT48)
TKR5497 - Sway Bar (rear, 2.2mm, EB.3/NB.3/SL/SCT.3, ET48, NT48)
TKR5498 - Sway Bar (rear, 2.7mm, EB.3/NB.3/SL/SCT.3, ET48, NT48)
TKR5499 - Sway Bar (rear, 2.9mm, EB.3/NB.3/SL/SCT.3, ET48, NT48)
TKR6003B - Shock Caps (aluminum, non-vented top, 2pcs)
TKR6009B - Shock O-Ring Set (16pcs)
TKR6015 - Shock Cartridge Caps (aluminum, gun metal ano, 2pcs, EB48)
TKR6017T - Shock Shafts w/ TiNi coating (rear, steel, 2pcs, EB48)
TKR6051 - Shock Pistons (CNC, conical, 8x1.3)
TKR6061T - Shock Shafts w/ TiNi coating (rear, x-long, steel, 2pcs)
TKR6080 - Shock Spring Set (1.6 x 10.5T, 95mm, pink, 3.96 lb/in)
TKR6082 - Shock Spring Set (1.6 x 9.5T, 95mm, yellow, 4.48 lb/in)
TKR6083 - Shock Spring Set (1.6 x 9.0T, 95mm, orange, 4.80 lb/in)
TKR6090 - Shock Spring Set (1.6 x 9.0T, 80mm, pink, 4.80 lb/in)
TKR6092 - Shock Spring Set (1.6 x 8.0T, 80mm, yellow, 5.60 lb/in)
TKR6093 - Shock Spring Set (1.6 x 7.5T, 80mm, orange, 6.11 lb/in)
TKR6146 - Shock Cartridge Set (CNC, Delrin, EB/NB/ET/NT/SCT)
TKR6152 - Full Option Shock Kit (122mm, no springs, no pistons)
TKR6153 - Full Option Shock Kit (137mm, no springs, no pistons)
TKR6160 - Shock Piston Blanks (CNC, flat/tapered, 16 dimples)
TKR6162 - Shock Pistons (CNC, flat/tapered, 3x2.1, 10.4mm2, 4pcs)

Name: Stock Set Up Date: _____ Event: _____

Track: Indoor Outdoor Size: Small Medium Large Traction: Low Med High

Surface: Smooth Bumpy Rutted Type: Loose/Loamy Hard Pack Blue Groove Clay

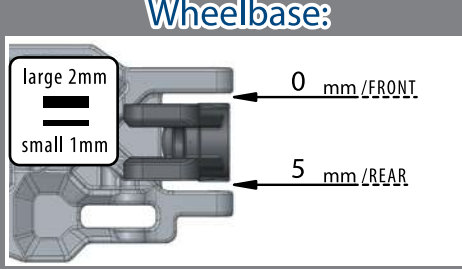
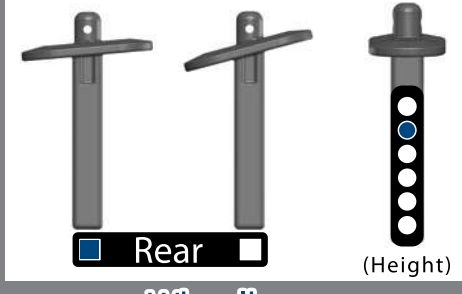
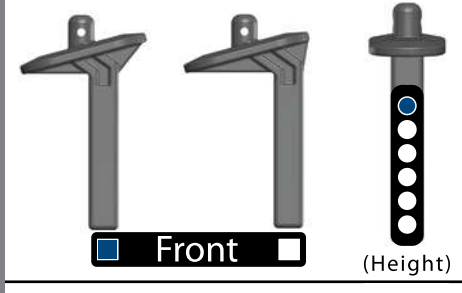
Bumpsteer/Ackerman/Servo Saver: _____ Condition: Dusty Dry Wet Muddy



Suspension:

	FRONT	REAR
RIDE HEIGHT	varies	varies
CAMBER	-2	-2
CASTER	15°	
SWEEP	0°	
KICK UP	10°	
ANTI-SQUAT		2°
TOE (in/out)	.5° total	3°
SWAY BAR	2.6	2.8
SHOCK LENGTH (DROOP)	115	135

Body/Mounts:



Shocks:

	FRONT	REAR
OIL	700	700
BRAND	CST	CST
PISTON	10 x 1.2	10 x 1.2
SPRING	Green	Green
REBOUND	0 %	0 %
STD/EMUL/VENT	standard	standard

NOTES:

Tires / Wheels:

	FRONT	REAR
BRAND/TREAD		
COMPOUND		
INSERT		
WHEEL		

NOTES:

Differential Oil:

FRONT	CENTER	REAR
100	100	50

Electronics:

ESC:	
Battery:	
Motor:	
Radio:	
Servo:	

Drivetrain:

PINION SIZE		(teeth)
-------------	--	---------

Chassis Braces:

Front <input checked="" type="checkbox"/>	Middle <input checked="" type="checkbox"/>	Rear <input checked="" type="checkbox"/>
---	--	--

(front brace is always recommended)

Notes:

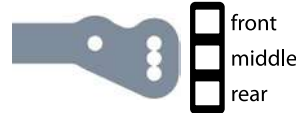
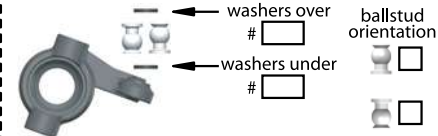
Name: _____ Date: _____ Event: _____

Track: Indoor Outdoor Size: Small Medium Large Traction: Low Med High

Surface: Smooth Bumpy Rutted Type: Loose/Loamy Hard Pack Blue Groove Clay

Bumpsteer/Ackerman/Servo Saver:

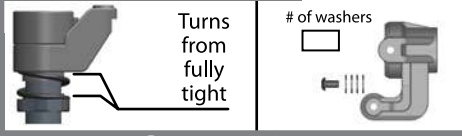
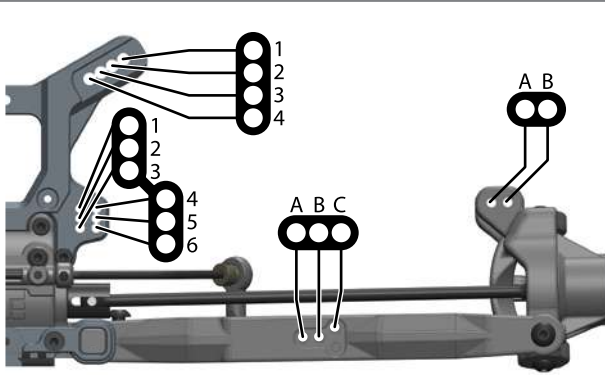
Condition: Dusty Dry Wet Muddy



Shocks:

	FRONT	REAR
OIL		
BRAND		
PISTON		
SPRING		
REBOUND	%	%
STD/EMUL/VENT		

Front End:



Suspension:

	FRONT	REAR
RIDE HEIGHT		
CAMBER		
CASTER	o	
SWEEP	o	
KICK UP	o	
ANTI-SQUAT		o
TOE (in/out)	o	o
SWAY BAR		
SHOCK LENGTH (DROOP)		

Tires / Wheels:

	FRONT	REAR
BRAND/TREAD		
COMPOUND		
INSERT		
WHEEL		



"A" Block
(0° WITH CENTER DOT INSERT)

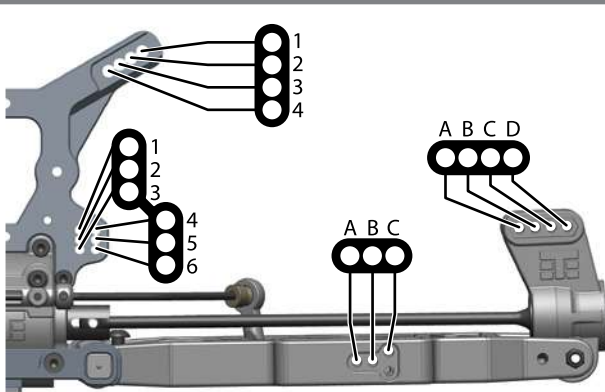


"B" Block
(10° WITH CENTER DOT INSERT)

Differential Oil:

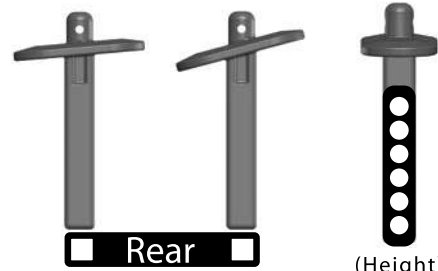
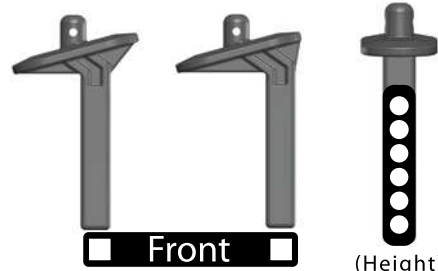
FRONT	CENTER	REAR

Rear End:



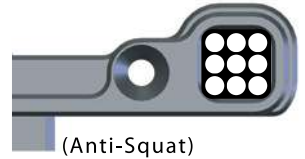
Body/Mounts:

BODY MAKE	



Electronics:

ESC:	
Battery:	
Motor:	
Radio:	
Servo:	



"C" Block
(2° WITH CENTER DOT INSERT)

Drivetrain:

PINION SIZE		(teeth)
-------------	--	---------

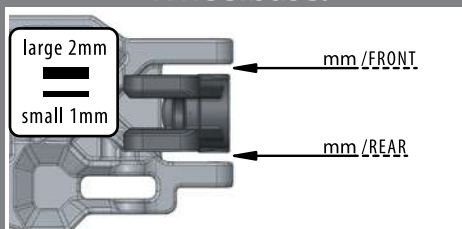


"D" Block
(3° WITH CENTER DOT INSERT)

Chassis Braces:

Front <input type="checkbox"/>	Middle <input type="checkbox"/>	Rear <input type="checkbox"/>
(front brace is always recommended)		

Wheelbase:



Notes:





Tekno RC
10755 Scripps Poway Pkwy #598
San Diego CA 92131
USA

www.teknorc.com

