

Name: _____	Date: _____ Event: _____
City: _____ State: _____	Track: _____

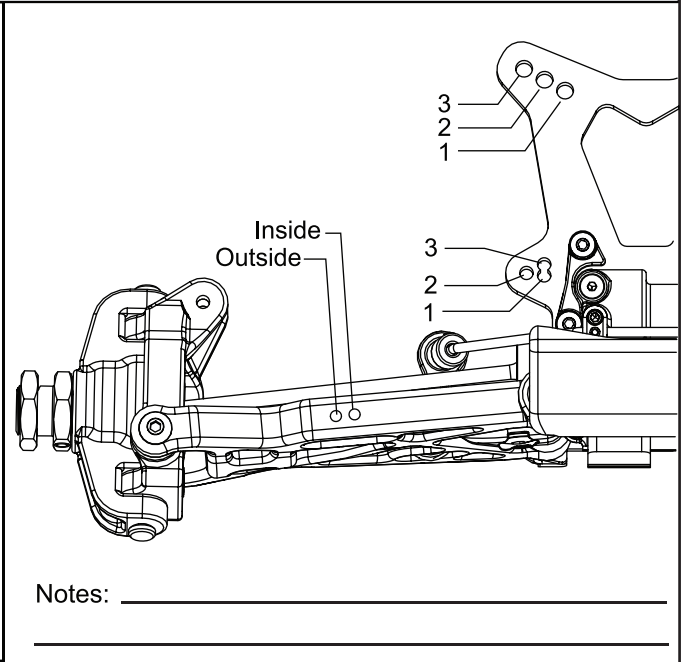
Track Conditions  Indoor  Tight  Smooth  Hard Packed  Blue Groove  Wet  Low Bite  High Bite  
 Outdoor  Open  Rough  Loose/Loamy  Dry  Dusty  Med Bite  Other \_\_\_\_\_

### Front Suspension

Toe: \_\_\_\_\_  
 Ride Height: \_\_\_\_\_  
 Camber: \_\_\_\_\_  
 Caster: \_\_\_\_\_  
 Wheel Hex: \_\_\_\_\_  
 Sway Bar: \_\_\_\_\_  
 Piston/Oil: \_\_\_\_\_  
 Spring: \_\_\_\_\_  
 Limiter/Droop: \_\_\_\_\_  
 Steering Ackerman: \_\_\_\_\_  
 Bump Steer: \_\_\_\_\_  
 Camber Link: \_\_\_\_\_  
 Shock Location: \_\_\_\_\_  
 Receiver Battery Type: \_\_\_\_\_

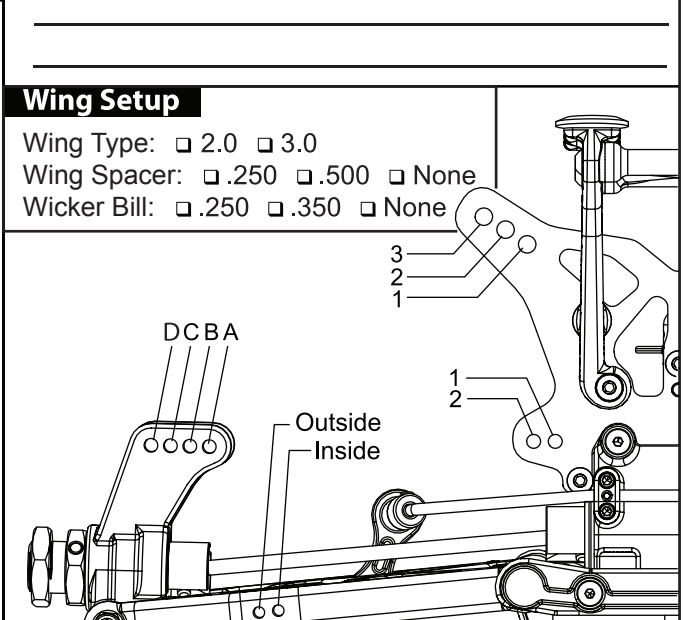
### Differentials

Front:  Standard  Smart  
 Spring Wire Dia: \_\_\_\_\_  
 Qty of Springs: \_\_\_\_\_  
 Ramp Plate: \_\_\_\_\_  
 Grease: \_\_\_\_\_  
 Diff Fluid: \_\_\_\_\_  
 Center:  Standard  Smart  
 Spring Wire Dia: \_\_\_\_\_  
 Qty of Springs: \_\_\_\_\_  
 Ramp Plate: \_\_\_\_\_  
 Grease: \_\_\_\_\_  
 Diff Fluid: \_\_\_\_\_



### Rear Suspension

Roll Center:  HRC  LRC  HRC Fwd/LRC Rear  
 Toe: \_\_\_\_\_  
 Anti-Squat: \_\_\_\_\_  
 Ride Height: \_\_\_\_\_  
 Camber: \_\_\_\_\_  
 Rear Hub Spacing: \_\_\_\_\_  
 Wheel Hex: \_\_\_\_\_  
 Sway Bar: \_\_\_\_\_  
 Piston/Oil: \_\_\_\_\_  
 Spring: \_\_\_\_\_  
 Limiter/Droop: \_\_\_\_\_  
 Camber Link: \_\_\_\_\_  
 Shock Location: \_\_\_\_\_  
 Rear Diff Fluid: \_\_\_\_\_



### Engine

Engine: \_\_\_\_\_ Fuel: \_\_\_\_\_  
 Glow Plug: \_\_\_\_\_ Head Clearance: \_\_\_\_\_  
 Pipe/Header: \_\_\_\_\_ Gearing: \_\_\_\_\_

### Clutch

Clutch Shoes and Springs Info

\_\_\_\_\_

\_\_\_\_\_

\_\_\_\_\_

### Tires

	Type	Compound	Insert
Front:	_____	_____	_____
Rear:	_____	_____	_____
Notes:	_____		



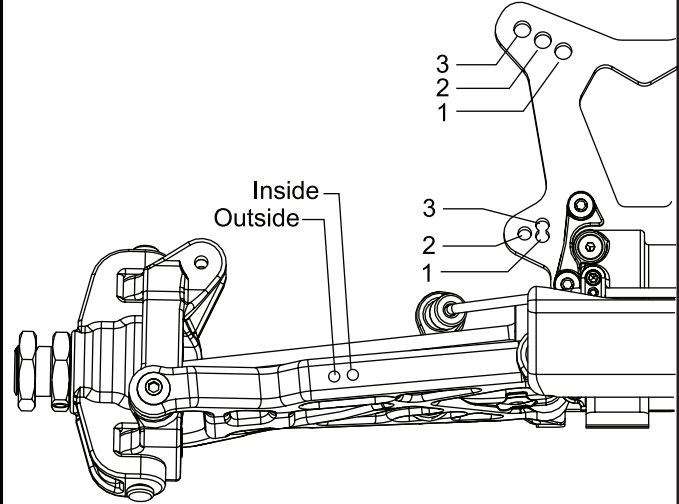
Name: <b>BIGHT Standard Setup</b>		Date: _____	Event: _____
City: _____		State: _____	
Track Conditions: <input type="checkbox"/> Indoor <input type="checkbox"/> Tight <input type="checkbox"/> Smooth <input type="checkbox"/> Hard Packed <input type="checkbox"/> Blue Groove <input type="checkbox"/> Wet <input type="checkbox"/> Low Bite <input type="checkbox"/> High Bite			
<input type="checkbox"/> Outdoor <input type="checkbox"/> Open <input type="checkbox"/> Rough <input type="checkbox"/> Loose/Loamy <input type="checkbox"/> Dry <input type="checkbox"/> Dusty <input type="checkbox"/> Med Bite <input type="checkbox"/> Other _____			

### Front Suspension

Toe: 2° Toe Out  
 Ride Height: 27mm  
 Camber: -1°  
 Caster: Stock  
 Wheel Hex: Standard  
 Sway Bar: 2.3mm  
 Piston/Oil: 54mm/40 wt  
 Spring: Silver  
 Limiter/Droop: 95mm  
 Steering Ackerman: Long  
 Bump Steer: Up  
 Camber Link: 3  
 Shock Location: 2/Outside  
 Receiver Battery Type: 6V/NiMH

### Differentials

Front:  Standard  Smart  
 Spring Wire Dia: \_\_\_\_\_  
 Qty of Springs: \_\_\_\_\_  
 Ramp Plate: \_\_\_\_\_  
 Grease: \_\_\_\_\_  
 Diff Fluid: 5000 wt  
 Center:  Standard  Smart  
 Spring Wire Dia: \_\_\_\_\_  
 Qty of Springs: \_\_\_\_\_  
 Ramp Plate: \_\_\_\_\_  
 Grease: \_\_\_\_\_  
 Diff Fluid: 7000 wt



Notes: \_\_\_\_\_

\_\_\_\_\_

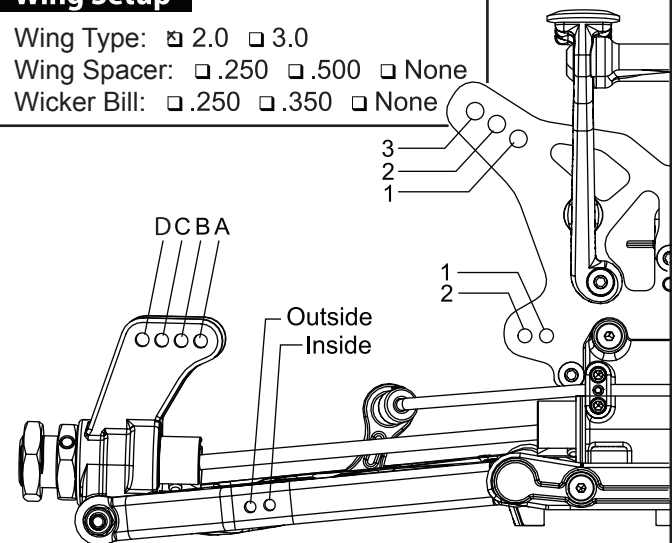
\_\_\_\_\_

### Rear Suspension

Roll Center:  HRC  LRC  HRC Fwd/LRC Rear  
 Toe: 3°  
 Anti-Squat: 3°  
 Ride Height: 29mm  
 Camber: -2°  
 Rear Hub Spacing: Back  
 Wheel Hex: Standard  
 Sway Bar: 2-3mm  
 Piston/Oil: 54mm/40 wt  
 Spring: Green  
 Limiter/Droop: 106mm  
 Camber Link: 1B  
 Shock Location: 2/Outside  
 Rear Diff Fluid: 3000 wt

### Wing Setup

Wing Type:  2.0  3.0  
 Wing Spacer:  .250  .500  None  
 Wicker Bill:  .250  .350  None



Notes: \_\_\_\_\_

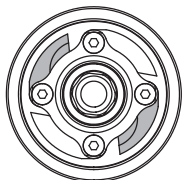
\_\_\_\_\_

\_\_\_\_\_

### Engine

Engine: Dynamite .21 Fuel: 20% Sport  
 Glow Plug: Medium Head Clearance: Stock  
 Pipe/Header: Dynamite Gearing: 50/17

### Clutch



#### Clutch Shoes and Springs Info

4 composite  
4 black springs  
Aluminium Flywheel

### Tires

	Type	Compound	Insert
Front:	<u>XBT</u>	<u>Blue</u>	<u>Losi</u>
Rear:	<u>XBT</u>	<u>Blue</u>	<u>Losi</u>
Notes:	_____		

Name: _____	Date: _____
City: _____	Event: _____
State: _____	Track: _____

Track Conditions:  Indoor  Tight  Smooth  Hard Packed  Blue Groove  Wet  Low Bite  High Bite  
 Outdoor  Open  Rough  Loose/Loamy  Dry  Dusty  Med Bite  Other \_\_\_\_\_

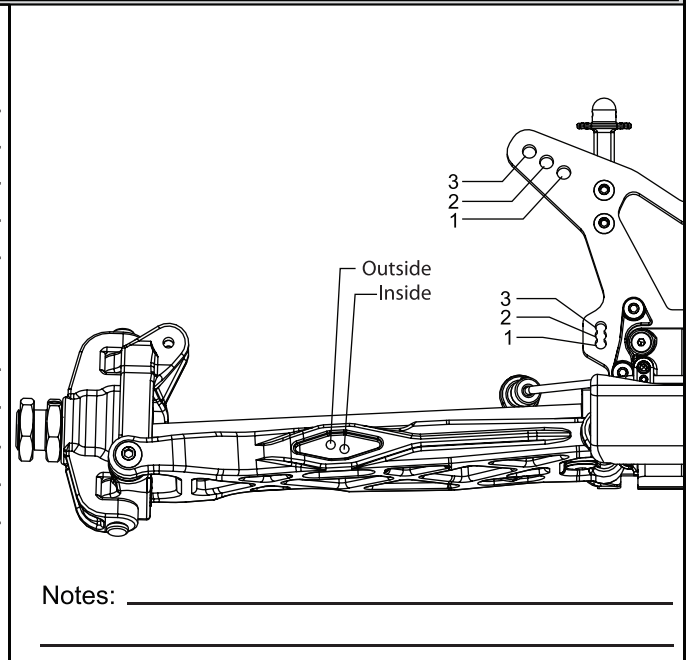
**Front Suspension**

Toe: \_\_\_\_\_  
 Ride Height: \_\_\_\_\_  
 Camber: \_\_\_\_\_  
 Caster: \_\_\_\_\_  
 Wheel Hex: \_\_\_\_\_  
 Sway Bar: \_\_\_\_\_  
 Piston/Oil: \_\_\_\_\_  
 Spring: \_\_\_\_\_  
 Limiter/Droop: \_\_\_\_\_  
 Steering Ackerman: \_\_\_\_\_  
 Bump Steer: \_\_\_\_\_  
 Camber Link: \_\_\_\_\_  
 Shock Location: \_\_\_\_\_  
 Receiver Battery Type: \_\_\_\_\_

**Differentials**

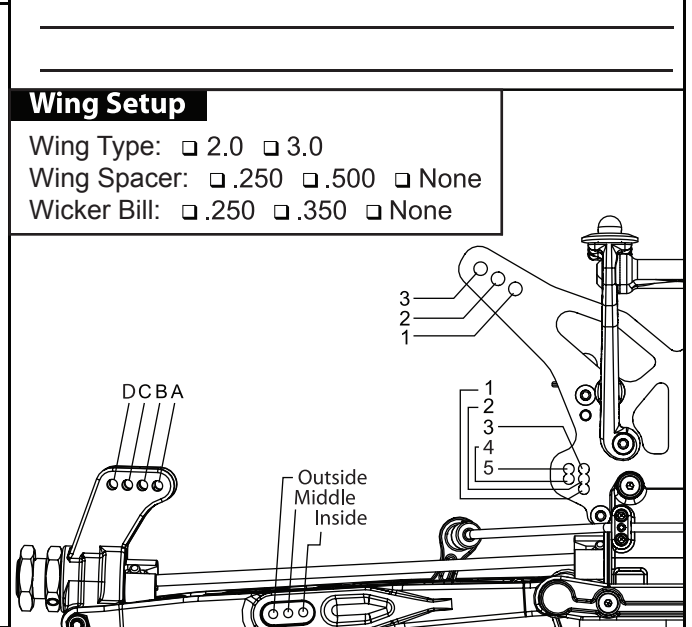
Front:  Standard  Smart  
 Spring Wire Dia: \_\_\_\_\_  
 Qty of Springs: \_\_\_\_\_  
 Ramp Plate: \_\_\_\_\_  
 Grease: \_\_\_\_\_  
 Diff Fluid: \_\_\_\_\_

Center:  Standard  Smart  
 Spring Wire Dia: \_\_\_\_\_  
 Qty of Springs: \_\_\_\_\_  
 Ramp Plate: \_\_\_\_\_  
 Grease: \_\_\_\_\_  
 Diff Fluid: \_\_\_\_\_



**Rear Suspension**

Roll Center:  HRC  LRC  HRC Fwd/LRC Rear  
 Toe: \_\_\_\_\_  
 Anti-Squat: \_\_\_\_\_  
 Ride Height: \_\_\_\_\_  
 Camber: \_\_\_\_\_  
 Rear Hub Spacing: \_\_\_\_\_  
 Wheel Hex: \_\_\_\_\_  
 Sway Bar: \_\_\_\_\_  
 Piston/Oil: \_\_\_\_\_  
 Spring: \_\_\_\_\_  
 Limiter/Droop: \_\_\_\_\_  
 Camber Link: \_\_\_\_\_  
 Shock Location: \_\_\_\_\_  
 Rear Diff Fluid: \_\_\_\_\_



**Engine**

Engine: \_\_\_\_\_ Fuel: \_\_\_\_\_  
 Glow Plug: \_\_\_\_\_ Head Clearance: \_\_\_\_\_  
 Pipe/Header: \_\_\_\_\_ Gearing: \_\_\_\_\_

**Clutch**

Clutch Shoes and Springs Info

\_\_\_\_\_

\_\_\_\_\_

\_\_\_\_\_

**Tires**

Type	Compound	Insert
Front: _____	_____	_____
Rear: _____	_____	_____
Notes: _____		

Name: <u>8IGHT-T Standard Setup</u>		Date: _____	Event: _____
City: _____ State: _____		Track: _____	
Track Conditions <input type="checkbox"/> Indoor <input type="checkbox"/> Tight <input type="checkbox"/> Smooth <input type="checkbox"/> Hard Packed <input type="checkbox"/> Blue Groove <input type="checkbox"/> Wet <input type="checkbox"/> Low Bite <input type="checkbox"/> High Bite <input type="checkbox"/> Outdoor <input type="checkbox"/> Open <input type="checkbox"/> Rough <input type="checkbox"/> Loose/Loamy <input type="checkbox"/> Dry <input type="checkbox"/> Dusty <input type="checkbox"/> Med Bite <input type="checkbox"/> Other _____			

**Front Suspension**

Toe: 2° Toe Out

Ride Height: 39mm

Camber: -1°

Caster: Stock

Wheel Hex: Standard

Sway Bar: 2.3mm

Piston/Oil: 54mm/70 wt

Spring: Black

Limiter/Droop: 110mm

Steering Ackerman: Long

Bump Steer: Up

Camber Link: 3

Shock Location: 2/Outside

Receiver Battery Type: 6V/NiMH

**Differentials**

Front:  Standard  Smart

Spring Wire Dia: \_\_\_\_\_

Qty of Springs: \_\_\_\_\_

Ramp Plate: \_\_\_\_\_

Grease: \_\_\_\_\_

Diff Fluid: 5000 wt

Center:  Standard  Smart

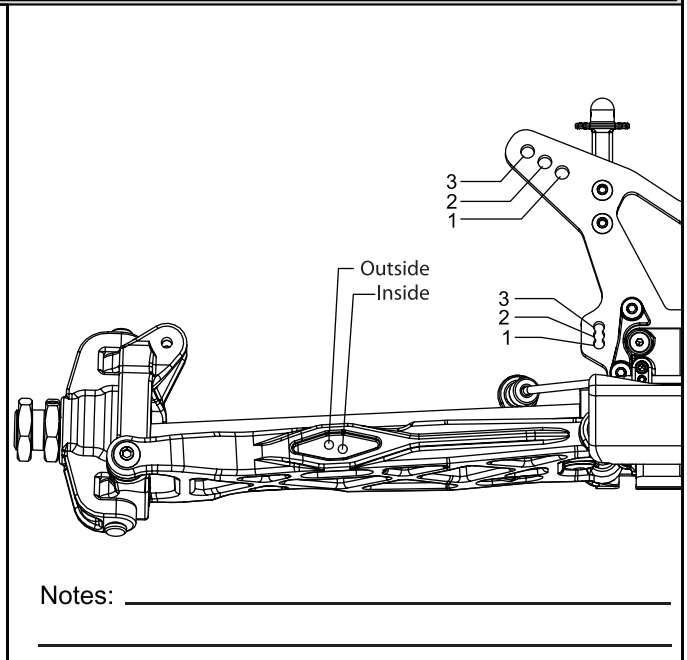
Spring Wire Dia: \_\_\_\_\_

Qty of Springs: \_\_\_\_\_

Ramp Plate: \_\_\_\_\_

Grease: \_\_\_\_\_

Diff Fluid: 7000 wt



**Rear Suspension**

Roll Center:  HRC  LRC  HRC Fwd/LRC Rear

Toe: 3.5°

Anti-Squat: 3°

Ride Height: 42mm

Camber: -2°

Rear Hub Spacing: Back

Wheel Hex: Standard

Sway Bar: 2-33mm

Piston/Oil: 54mm/70 wt

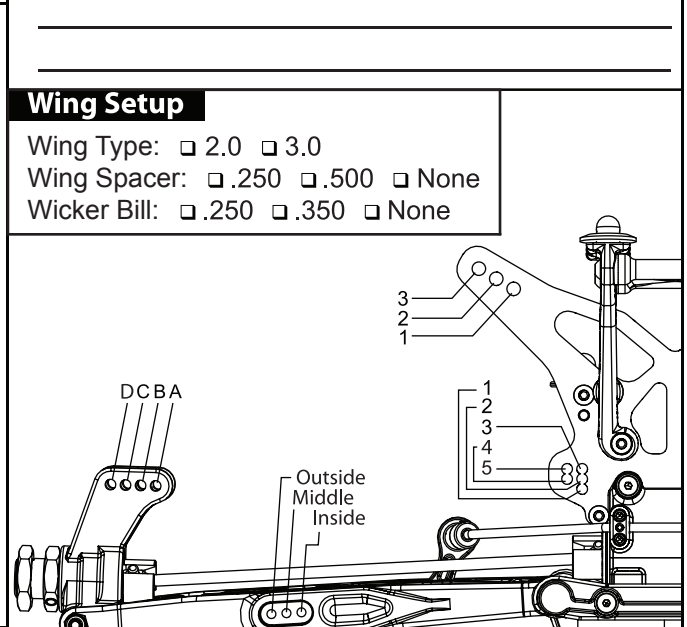
Spring: Grey

Limiter/Droop: 130mm

Camber Link: 2B

Shock Location: 2/Outside

Rear Diff Fluid: 3000 wt



**Engine**

Engine: Dynamite .28 Fuel: 20% Sport

Glow Plug: Medium Head Clearance: Stock

Pipe/Header: Dynamite Gearing: 50/13

**Clutch**

Clutch Shoes and Springs Info

4 composite

4 black springs

Aluminium Flywheel

**Tires**

	Type	Compound	Insert
Front:	<u>XTT</u>	<u>Blue</u>	<u>Losi</u>
Rear:	<u>XTT</u>	<u>Blue</u>	<u>Losi</u>
Notes:	_____		