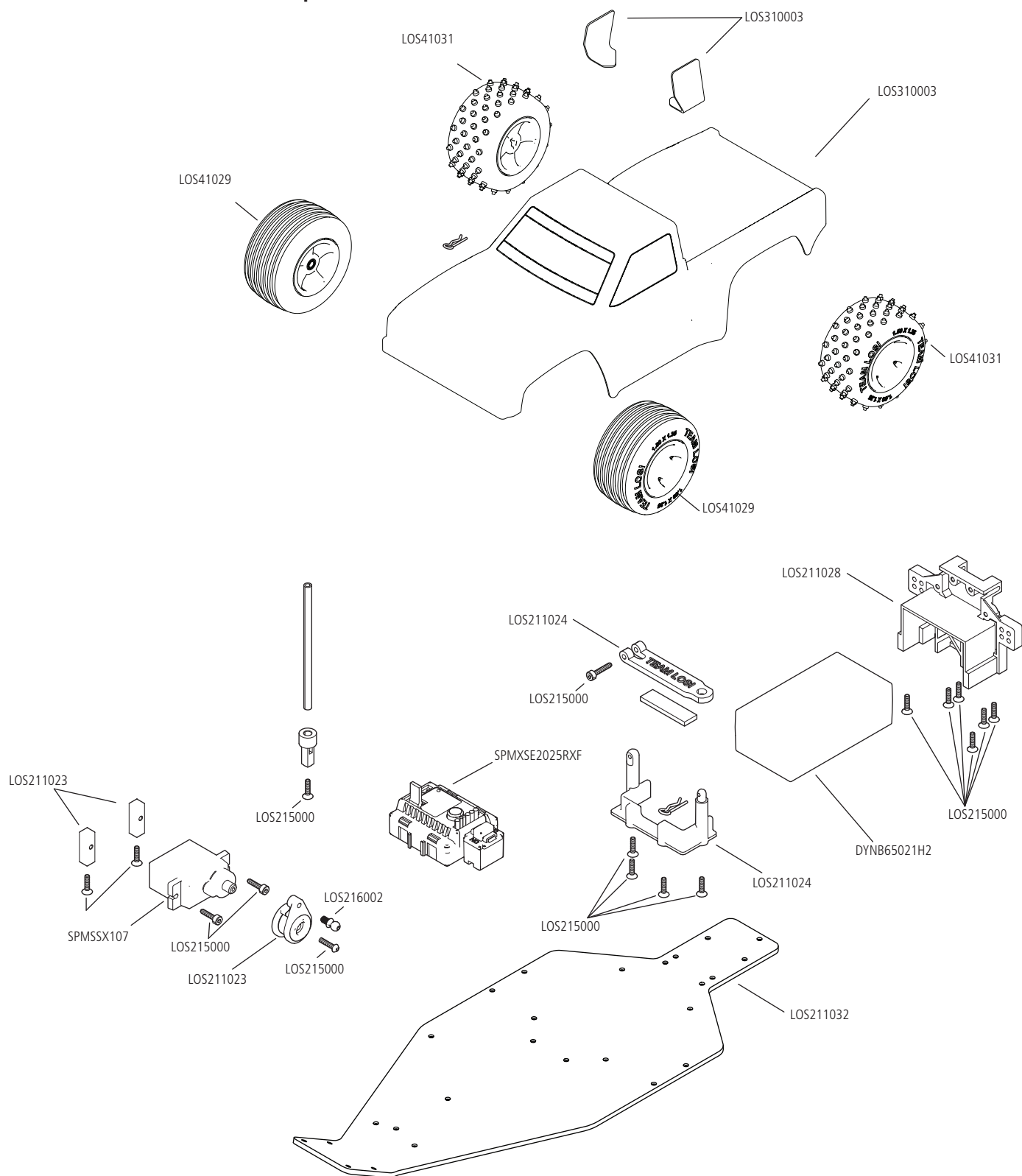


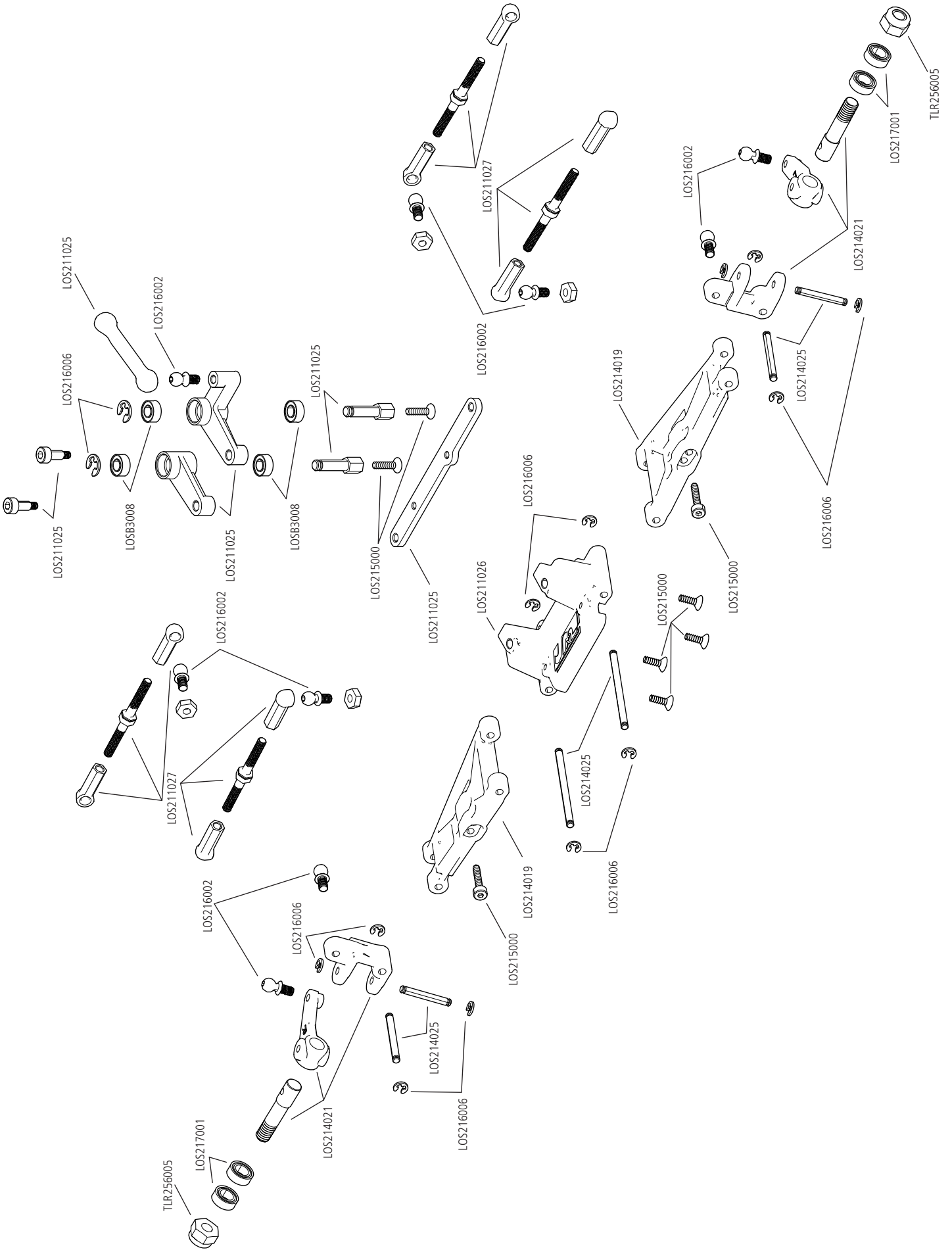
**EXPLODED VIEW | EXPLOSIONSZEICHNUNG |  
VUE ÉCLATÉE DES PIÈCES | VISTA ESPLOSA DELLE PARTI**

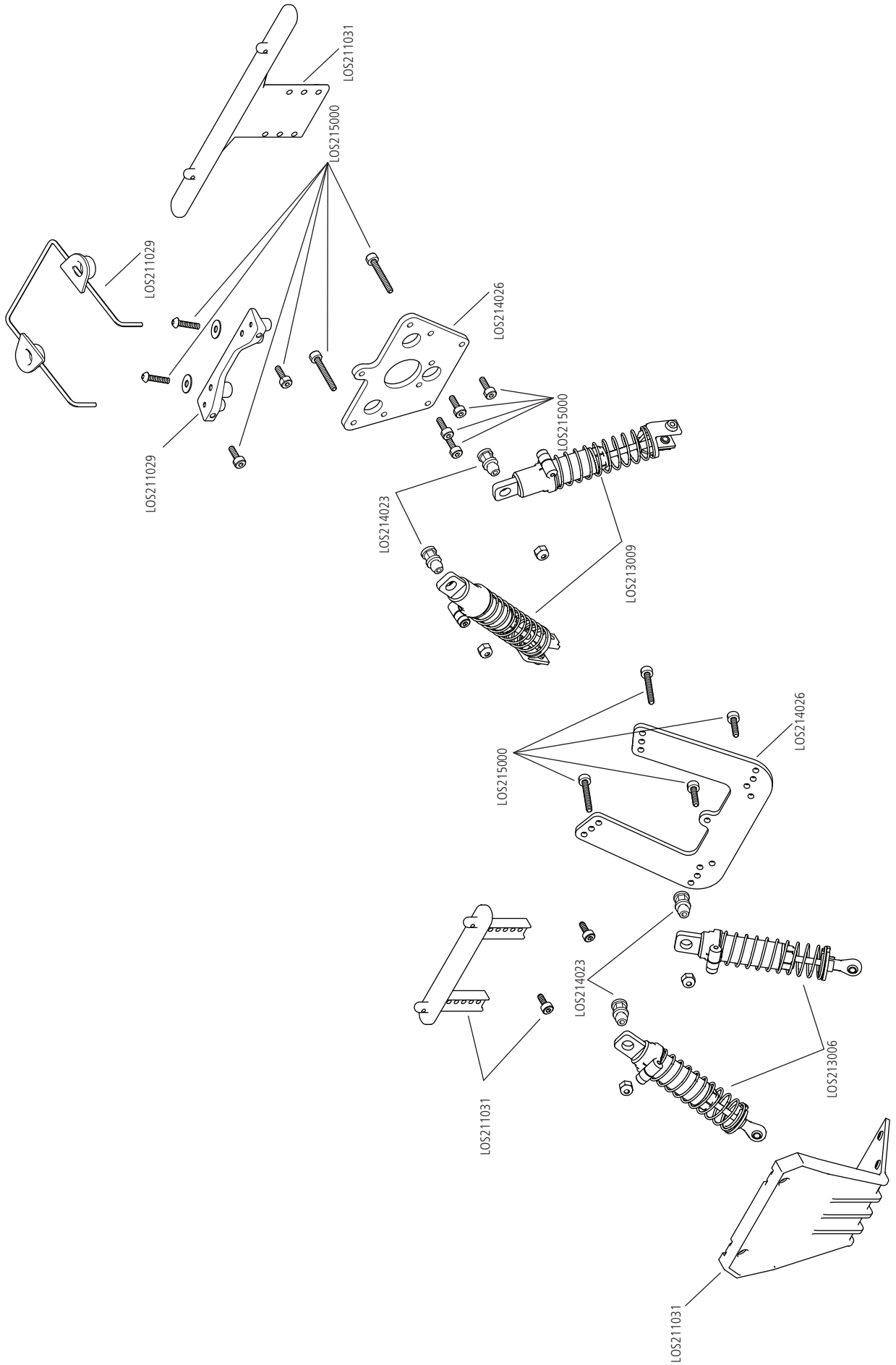


EXPLODED VIEW | EXPLOSIONSZEICHNUNG | VUE ÉCLATÉE DES PIÈCES | VISTA ESPLOSA DELLE PARTI



EXPLODED VIEW | EXPLOSIONSZEICHNUNG | VUE ÉCLATÉE DES PIÈCES | VISTA ESPLOSA DELLE PARTI







[WWW.LOSI.COM](http://WWW.LOSI.COM)

487638

Created 12/2022 | LOS01021

©2022 Horizon Hobby, LLC.

Losi, Mini-B, Dynamite, EC2, and the Horizon Hobby logo are trademarks or registered trademarks of Horizon Hobby, LLC.

The Spektrum trademark is used with permission of Bachmann Industries, Inc. All other trademarks, service marks and logos are property of their respective owners.