

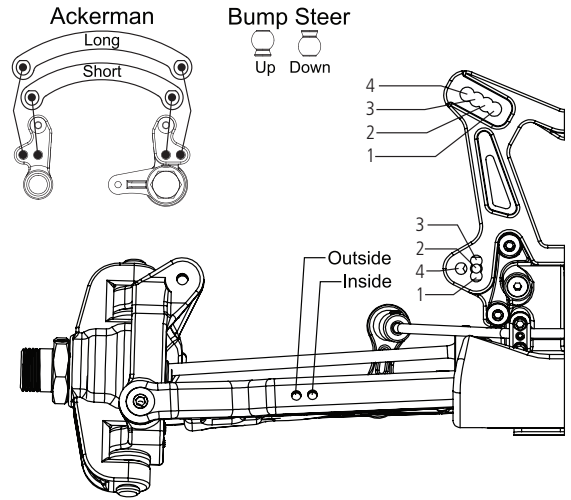
Name: _____	Date: _____ Event: _____
City: _____ State: _____	Track: _____
Track <input type="checkbox"/> Indoor <input type="checkbox"/> Tight <input type="checkbox"/> Smooth <input type="checkbox"/> Hard Packed <input type="checkbox"/> Blue Groove <input type="checkbox"/> Wet <input type="checkbox"/> Low Bite <input type="checkbox"/> High Bite Conditions <input type="checkbox"/> Outdoor <input type="checkbox"/> Open <input type="checkbox"/> Rough <input type="checkbox"/> Loose/Loamy <input type="checkbox"/> Dry <input type="checkbox"/> Dusty <input type="checkbox"/> Med Bite <input type="checkbox"/> Other _____	

**Front Suspension**

Toe: \_\_\_\_\_  
 Ride Height: \_\_\_\_\_  
 Camber: \_\_\_\_\_  
 Caster: \_\_\_\_\_  
 Spindle Height:  High  Low  
 Wheel Hex: \_\_\_\_\_  
 Sway Bar: \_\_\_\_\_  
 Piston/Oil: \_\_\_\_\_  
 Shock Type:  Bladder  Emulsion  
 Spring: \_\_\_\_\_  
 Limiter/Droop: \_\_\_\_\_  
 Overall Shock Length: \_\_\_\_\_  
 Steering Ackerman: \_\_\_\_\_  
 Bump Steer: \_\_\_\_\_  
 Camber Link: \_\_\_\_\_  
 Shock Location: \_\_\_\_\_  
 Battery Location:  Forward  Aft

**Differentials**

Front:  Standard  Smart  
 Spring Wire Dia.: \_\_\_\_\_  
 Qty of Springs: \_\_\_\_\_  
 Ramp Plate: \_\_\_\_\_  
 Grease: \_\_\_\_\_  
 Diff Fluid: \_\_\_\_\_  
 Center:  Standard  Smart  
 Location: \_\_\_\_\_  
 0-Degree  4.4-Degree  
 Spring Wire Dia.: \_\_\_\_\_  
 Qty of Springs: \_\_\_\_\_  
 Ramp Plate: \_\_\_\_\_  
 Grease: \_\_\_\_\_  
 Diff Fluid: \_\_\_\_\_



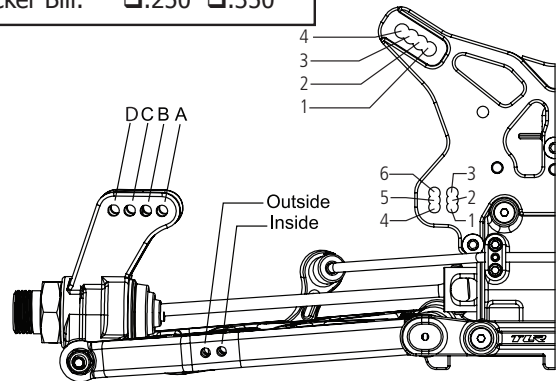
Notes: \_\_\_\_\_  
 \_\_\_\_\_  
 \_\_\_\_\_

**Rear Suspension**

Roll Center:  HRC  LRC  
 Toe: \_\_\_\_\_  
 Anti-Squat: \_\_\_\_\_  
 Ride Height: \_\_\_\_\_  
 Camber: \_\_\_\_\_  
 Rear Hub Spacing: \_\_\_\_\_  
 Wheel Hex: \_\_\_\_\_  
 Sway Bar: \_\_\_\_\_  
 Piston/Oil: \_\_\_\_\_  
 Shock Type:  Bladder  Emulsion  
 Spring: \_\_\_\_\_  
 Limiter/Droop: \_\_\_\_\_  
 Overall Shock Length: \_\_\_\_\_  
 Camber Link: \_\_\_\_\_  
 Shock Position: \_\_\_\_\_  
 Rear Diff Fluid: \_\_\_\_\_

**Wing Setup**

Wing Type:  2.0  3.0  
 Wing Spacer:  .250  .500  
 Wicker Bill:  .250  .350

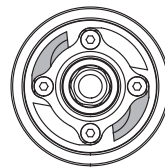


Notes: \_\_\_\_\_  
 \_\_\_\_\_  
 \_\_\_\_\_

**Electronics**

Radio: \_\_\_\_\_  
 Servo: \_\_\_\_\_  
 ESC: \_\_\_\_\_  
 Initial Brake: \_\_\_\_\_  
 Drag Brake: \_\_\_\_\_  
 Throttle Profile: \_\_\_\_\_  
 Timing Advance: \_\_\_\_\_  
 Throttle/Brake Expo: \_\_\_\_\_  
 Throttle/Brake EPA: \_\_\_\_\_  
 Servo Expo: \_\_\_\_\_  
 Motor: \_\_\_\_\_  
 Pinion: \_\_\_\_\_  
 Spur: \_\_\_\_\_  
 Battery: \_\_\_\_\_

**Clutch**



Clutch Shoes and Springs Info

\_\_\_\_\_  
 \_\_\_\_\_

**Tires**

Type	Compound	Insert
Front: _____	_____	_____
Rear: _____	_____	_____
Notes: _____		
_____		