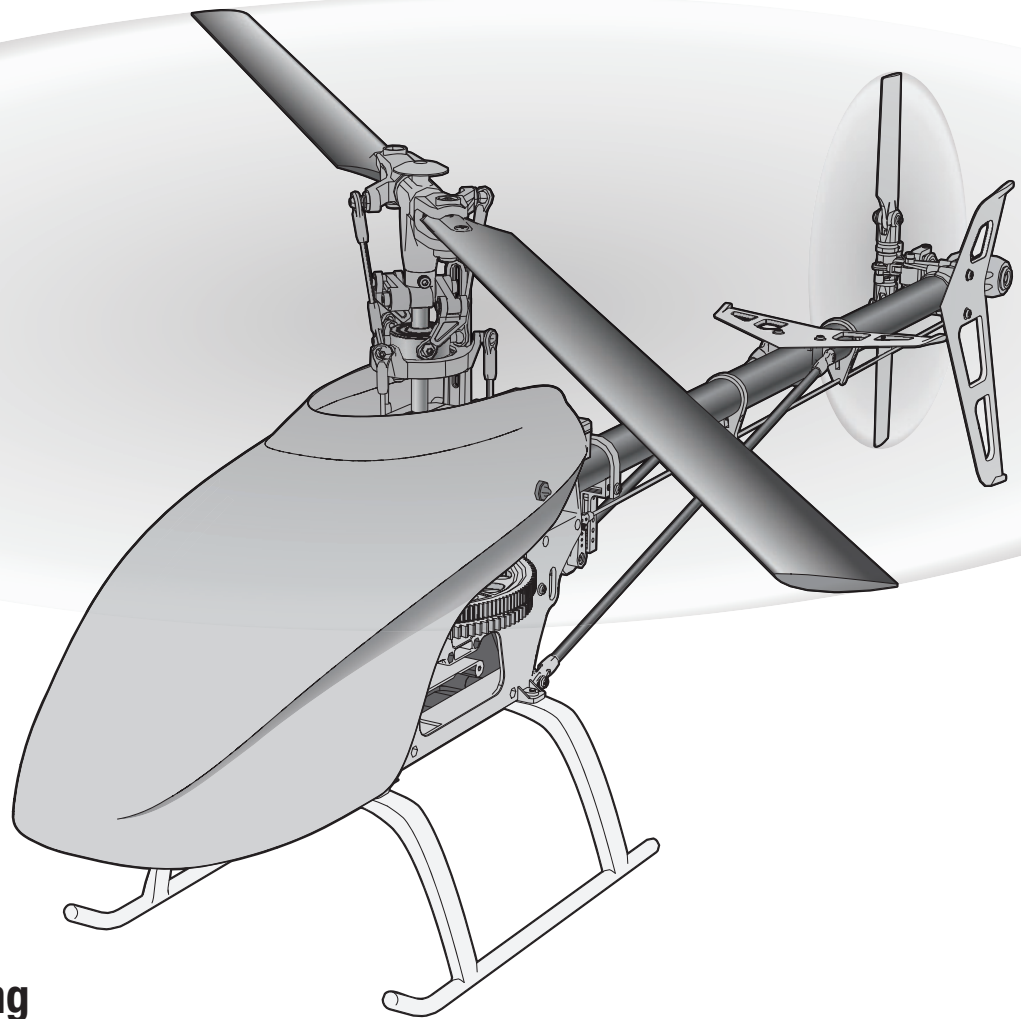


X BLADE®

330S



Instruction Manual
Bedienungsanleitung
Manuel d'utilisation
Manuale di Istruzioni

RTF **BNF**
BASIC

SAFE 

HORIZON
H O B B Y

NOTICE

All instructions, warranties and other collateral documents are subject to change at the sole discretion of Horizon Hobby, LLC. For up-to-date product literature, visit horizonhobby.com or www.towerhobbies.com and click on the support or resources tab for this product.

Meaning of Special Language

The following terms are used throughout the product literature to indicate various levels of potential harm when operating this product:

WARNING: Procedures, which if not properly followed, create the probability of property damage, collateral damage, and serious injury OR create a high probability of superficial injury.

CAUTION: Procedures, which if not properly followed, create the probability of physical property damage AND a possibility of serious injury.

NOTICE: Procedures, which if not properly followed, create a possibility of physical property damage AND a little or no possibility of injury.



WARNING: Read the ENTIRE instruction manual to become familiar with the features of the product before operating. Failure to operate the product correctly can result in damage to the product, personal property and cause serious injury.

This is a sophisticated hobby product. It must be operated with caution and common sense and requires some basic mechanical ability. Failure to operate this Product in a safe and responsible manner could result in injury or damage to the product or other property. This product is not intended for use by children without direct adult supervision. Do not use with incompatible components or alter this product in any way outside of the instructions provided by Horizon Hobby, LLC. This manual contains instructions for safety, operation and maintenance. It is essential to read and follow all the instructions and warnings in the manual, prior to assembly, setup or use, in order to operate correctly and avoid damage or serious injury.

Age Recommendation: Not for children under 14 years. This is not a toy.

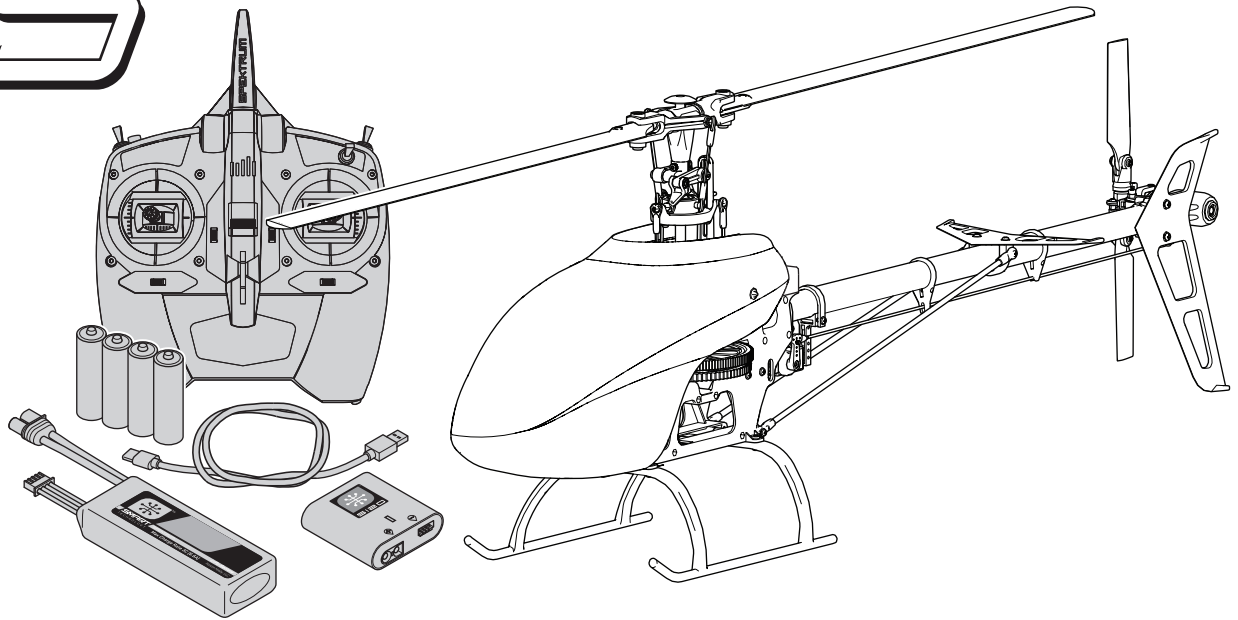
Safety Precautions and Warnings

- Always keep a safe distance in all directions around your model to avoid collisions or injury. This model is controlled by a radio signal subject to interference from many sources outside your control. Interference can cause momentary loss of control.
- Always operate your model in open spaces away from full-size vehicles, traffic and people.
- Always carefully follow the directions and warnings for this and any optional support equipment (chargers, rechargeable battery packs, etc.).
- Always keep all chemicals, small parts and anything electrical out of the reach of children.
- Always avoid water exposure to all equipment not specifically designed and protected for this purpose. Moisture causes damage to electronics.
- Always engage throttle hold before approaching the aircraft.
- Never place any portion of the model in your mouth as it could cause serious injury or even death.
- Never operate your model with low transmitter batteries.
- Always keep aircraft in sight and under control.
- Always move the throttle fully down at rotor strike.
- Always use fully charged batteries.
- Always keep transmitter powered on while aircraft is powered.
- Always remove batteries before disassembly.
- Always keep moving parts clean.
- Always keep parts dry.
- Always let parts cool after use before touching.
- Always remove batteries after use.
- Never operate aircraft with damaged wiring.
- Never touch moving parts.



WARNING AGAINST COUNTERFEIT PRODUCTS: If you ever need to replace a Spektrum component found in a Horizon Hobby product, always purchase from Horizon Hobby, LLC or a Horizon Hobby authorized dealer to ensure authentic high-quality Spektrum product. Horizon Hobby, LLC disclaims all support and warranty with regards, but not limited to, compatibility and performance of counterfeit products or products claiming compatibility with DSM or Spektrum technology.

330 S



Box Contents:

- Blade 330 S
- 3S 11.1V 2200mAh 30C IC3 Smart Li-Po Battery (RTF Only)
- DC Li-Po Balancing Smart Charger (RTF Only)
- Spektrum DXe Transmitter (RTF Only)
- 4 AA Batteries (RTF Only)

Table of Contents

First Flight Preparation.....	4	Understanding the Primary Flight Controls.....	9
Flying Checklist.....	4	Pre-Flight Checklist	10
Charging Warnings.....	4	Flying the Blade 330 S Helicopter.....	10
Battery Charging	4	Gyro Gain Adjustment.....	10
Installing the DXe Transmitter Batteries (RTF)	5	Tail Belt Tension	10
DXe Transmitter Control (RTF)	5	Post-Flight Inspections and Maintenance	11
Transmitter Setup (BNF)	5	Advanced Tuning (Forward Programming)	11
SMART Throttle (BNF Only)	6	Advanced Tuning (Non-Forward Programming).....	12
Installing the Flight Battery.....	7	Troubleshooting Guide.....	13
Transmitter and Receiver Binding.....	7	Limited Warranty.....	14
Throttle Hold	7	Warranty and Service Contact Information.....	15
Control Tests	8	FCC Information	15
Low Voltage Cutoff (LVC)	9	IC Information	15
Electronic Speed Controller Governor Operation	9	Compliance Information for the European Union.....	15

Specifications

Length	27.7 in (655mm)	Tail Rotor Diameter	6 in (152mm)
Height	8.8 in (223mm)	Flying Weight	30.4 oz (773 g)
Main Rotor Diameter	28.5 in (721mm)		

Components

Airframe	Blade® 330 S	Charger	S120 USB-C Smart Charger (RTF Only) (SPMXC1020)
Motor	440X Brushless Outrunner, 4200Kv (EFLH1360HA)	Transmitter	Spektrum DXe Transmitter (RTF Only)
Receiver	Serial Telemetry Receiver (SPM4649T)	Swash Servos	Spektrum H3055 Mid-Torq Ultra-Speed Micro Heli Cyclic Servo
Flight Controller	Helicopter Flybarless Flight Control (SPMFC6250HX)	Tail Servo	Spektrum H3065 Mid-Torq Ultra-Speed Micro Heli Tail Servo
ESC	Smart 30-Amp (SPMXAE1030)		
Battery	3S 11.1V 2200mAh Smart 30C Li-Po IC3		

To register your product online, visit www.bladeheli.com

If you own this product, you may be required to register with the FAA. For up-to-date information on how to register with the FAA, please visit <https://registermyuas.faa.gov/>. For additional assistance on regulations and guidance on UAS usage, visit knowbeforeyoufly.org/.

First Flight Preparation

- Remove and inspect contents
- Begin charging the flight battery
- Install the flight battery in the helicopter (once it has been fully charged)
- Program your computer transmitter
- Bind your transmitter (BNF only)
- Familiarize yourself with the controls
- Find a suitable area for flying

Charging Warnings

The Battery Charger (SPMXC1020) included with your helicopter has been designed to safely charge the Li-Po battery.

NOTICE: All instructions and warnings must be followed exactly. Mishandling of Li-Po batteries can result in a fire, personal injury and/or property damage.

- **NEVER LEAVE CHARGING BATTERIES UNATTENDED.**
- **NEVER CHARGE BATTERIES OVERNIGHT.**
- By handling, charging or using the included Li-Po battery, you assume all risks associated with lithium batteries.
- If at any time the battery begins to balloon or swell, discontinue use immediately. If charging or discharging, discontinue and disconnect. Continuing to use, charge or discharge a battery that is ballooning or swelling can result in fire.
- Always store the battery at room temperature in a dry area for best results.
- Always transport or temporarily store the battery in a temperature range of 40–120° F (5–49° C). Do not store battery or model in a car or direct sunlight. If stored in a hot car, the battery can be damaged or even catch fire.
- Always charge batteries away from flammable materials.
- Always inspect the battery before charging.

Battery Charging

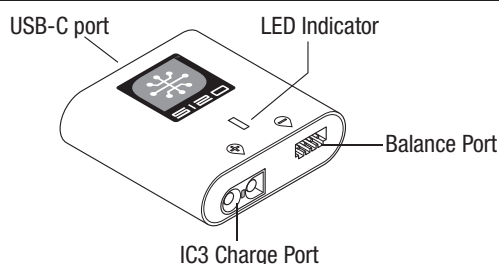
The recommended battery for the Blade® 330 S, included with the RTF version, is an 11.1V, 3200mAh 3S 30C Smart Technology LiPo battery with an IC3™ connector (SPMX32003S30). If using a different battery, the battery should be of similar capacity, dimensions and weight to fit in the fuselage. The aircraft electronic speed control is equipped with an IC3 device connector. Ensure the battery chosen is compatible. Always ensure the model balances at the recommended center of gravity (CG) with the chosen battery. Follow your chosen battery and battery charger instructions to charge the flight battery.

RTF Smart Technology Battery and S120 Charger, Specifications and Operation

The Spektrum S120 SMART Technology battery charger included with the RTF version of the aircraft is compatible only with Spektrum SMART 2-3 cell LiPo batteries or 6-7 cell NiMH batteries. It is not compatible with any other battery chemistries or non-SMART batteries.

A USB power supply is required for use. A USB-C QC type power supply is recommended for the fastest charge times.

S120 Specifications	
Input	USB Type C, power supply not included
Input Voltage	5V-12V
Charge Power	18W max (dependant on power supply)
Compatible USB Power Adaptor	5V/1A, 5V/2A, USB Quick Charge (QC) 2.0/3.0
Battery Connector	IC3™ and balance connector
Battery Types	LiPo, NiMH (Spektrum SMART Batteries only)
Cell Count	2-3 cell LiPo, 6-7 cell NiMH
Max Output Voltage	13.05V
Max Output Current	Up to 2A

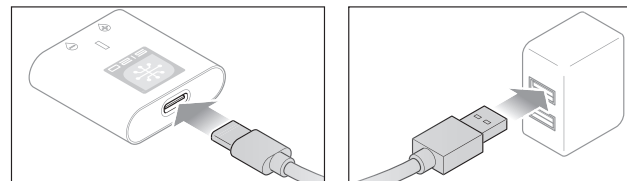


Flying Checklist

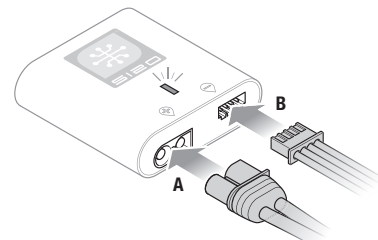
- Always turn the transmitter on first
 - Plug the flight battery into the lead from the ESC
 - Allow the ESC to initialize and arm properly
 - Fly the model
 - Land the model
 - Unplug the flight battery from the ESC
 - Always turn the transmitter off last
-
- Always disconnect the battery after charging, and let the charger cool between charges.
 - Always constantly monitor the temperature of the battery pack while charging.
 - **ONLY USE A CHARGER SPECIFICALLY DESIGNED TO CHARGE LI-PO BATTERIES.** Failure to charge the battery with a compatible charger may cause a fire resulting in personal injury and/or property damage.
 - Never discharge Li-Po cells to below 3V under load.
 - Never cover warning labels with hook and loop strips.
 - Never leave charging batteries unattended.
 - Never charge batteries outside recommended levels.
 - Never charge damaged batteries.
 - Never attempt to dismantle or alter the charger.
 - Never allow minors to charge battery packs.
 - Never charge batteries in extremely hot or cold places (recommended between 40–120° F or 5–49° C) or place in direct sunlight.

To charge the included flight battery:

1. Using the supplied Type-C USB cable, connect the S120 charger to a USB power supply (not included).



2. Insert the Spektrum SMART Battery IC3 connector (A) into the charger IC3 port, and insert the battery balance lead (B) into the charger balance port. Both the IC3 and balance connectors must be connected for the charging process to begin. The battery may be disconnected from the charger at any time to stop the charging process.



IMPORTANT: SMART NiMH batteries do not have a balance connector.

3. Disconnect the IC3 and balance connectors when the charge and balance cycles are complete, as indicated by the LED.
4. The LED indicator will glow solid red to indicate a charging error. Follow the operation steps to ensure proper connection is used to charge the battery.

Refer to the LED indicator table for charger status.




IMPORTANT: Connecting a non-SMART battery will cause a charge error and the S120 will not recognize or charge the battery.

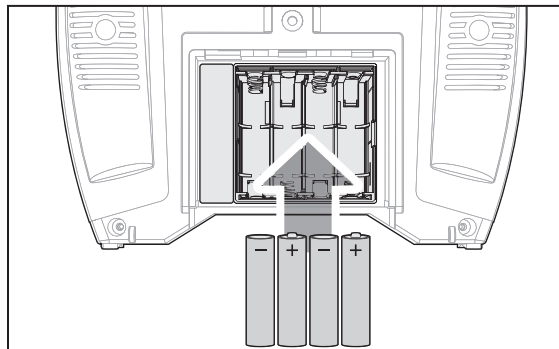
LED Indicator		
Power On	USB 5V: White LED	
	USB Quick Charge 2.0/3.0: Blue LED	
LiPo: Purple LED NiMH: Yellow LED	Battery Capacity	
	Less Than 25%	Single Flash
	25% – 75%	Double Flash
	76% – 99%	Triple Flash
Charge Complete	Green LED (Solid)	
Error	Red LED (Solid)	

Installing the DXe Transmitter Batteries (RTF)

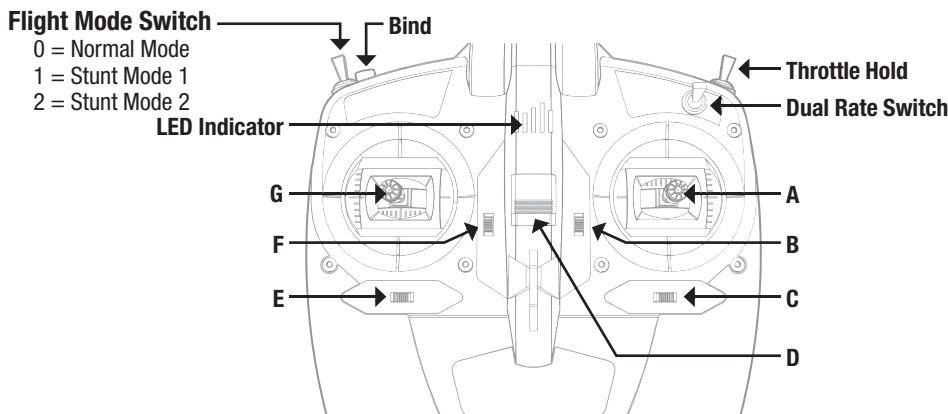
The LED indicator flashes and the transmitter beeps progressively faster as the battery voltage drops.

Replace the transmitter batteries when the transmitter begins to beep.

-  **CAUTION:** NEVER remove the transmitter batteries while the model is powered on. Loss of model control, damage or injury may occur.
-  **CAUTION:** If using rechargeable batteries, charge only rechargeable batteries. Charging non-rechargeable batteries may cause the batteries to burst, resulting in injury to persons and/or damage to property.
-  **CAUTION:** Risk of explosion if battery is replaced with an incorrect type. Dispose of used batteries according to national regulations.



DXe Transmitter Control (RTF)



	A	B	C	D	E	F	G
Mode 1	Aileron (Left/Right) Throttle (Up/Down)	Throttle Trim	Aileron Trim	ON/OFF Switch	Rudder Trim	Elevator Trim	Rudder (Left/Right) Elevator (Up/Down)
Mode 2	Aileron (Left/Right) Elevator (Up/Down)	Elevator Trim	Aileron Trim	ON/OFF Switch	Rudder Trim	Throttle Trim	Rudder (Left/Right) Throttle (Up/Down)

Transmitter Setup (BNF)

Program your transmitter before attempting to bind or fly the helicopter. Transmitter programming values are shown below for the Spektrum DX6i, DX7s, DX6, DX7, DX8, DX9, DX18 and DX20.

The files for transmitters using Spektrum AirWare™ are also available for download online at www.spektrumrc.com.

DXe

To use a Spektrum™ DXe transmitter other than the one included in the RTF version, download the Blade® 330 S DXe model setup available at www.spektrumrc.com or use the appropriate programming cable and the PC or mobile app to program the transmitter.

DX7s, DX8

SYSTEM SETUP	
Model Type	HELI
Swash Type	1 servo Normal
F-Mode Setup	
Flight Mode	F Mode
Hold	Hold
SW Select	
Trainer	Aux 2
F Mode	Gear
Gyro	INH
Mix	INH
Hold	INH
Knob	INH
Frame Rate	
	11ms
	DSMX

FUNCTION LIST											
Servo Setup					Servo Setup						
Chan	Travel	Reverse	Chan	Travel	Reverse	Chan	Travel	Reverse	Chan	Travel	Reverse
THR	100/100	Normal	GER	50/50	Reverse	PIT	100/100	Normal	AX2	100/100	Normal
AIL	100/100	Normal									
ELE	100/100	Normal									
RUD	100/100	Normal									
D/R & Expo				Throttle Curve					Throttle Hold		
Chan	Switch Pos (Ail D/R)	D/R	Expo	Switch Pos (F Mode)	Pt 1	Pt 2	Pt 3	Pt 4	Pt 5	Throttle	0%
AILE	0	100/100	0	N	0	65	65	65	65		
	1	85/85	0	1	70	70	70	70	70		
	2	85/85	0	2	80	80	80	80	80		
ELEV	0	100/100	0	Pitch Curve							
	1	85/85	0	Switch Pos (F Mode)	Pt 1	Pt 2	Pt 3	Pt 4	Pt 5		
	2	85/85	0	N	25	37	50	75	100		
RUDD	0	100/100	0	1	0	25	50	75	100		
	1	85/85	0	2	0	25	50	75	100		
	2	85/85	0	HOLD	25	37	50	75	100		

DX6G2, DX6e, DX7G2, DX8G2, DX9, DX18, DX20, iX12, iX20

SYSTEM SETUP

Model Type	HELI
Swash Type	Normal
F-Mode Setup	
Switch 1	Switch B
Switch 2	Inhibit
Hold Switch	Switch H
	0 1
Channel Assign	
Channel Input Config	
1 Throttle	
2 Aileron	
3 Elevator	
4 Rudder	
5 Gear	F Mode
6 Collective	
7 AUX 2*	Switch I
Frame Rate	
11ms*	
DSMX	

FUNCTION LIST

Servo Setup			Timer		
Chan	Travel	Reverse	Mode	Count Down	
THR	100/100	Normal	Time	4:00	
AIL	100/100	Normal	Start	Throttle Out	
ELE	100/100	Normal	Over	25%	
RUD	100/100	Normal	One Time	Inhibit	
GER	100/100	Normal			

D/R & Expo				Throttle Curve						
Chan	Sw (F) Pos	D/R	Expo	Sw (B) Pos		Pt 1	Pt 2	Pt 3	Pt 4	Pt 5
AILE	0	100/100	0	N		0	65	65	65	65
	1	85/85	0	1		70	70	70	70	70
	2	85/85	0	2		80	80	80	80	80
ELEV	0	100/100	0	Hold		0	0	0	0	0
	1	85/85	0	Pitch Curve						
	2	85/85	0	Sw (B) Pos		Pt 1	Pt 2	Pt 3	Pt 4	Pt 5
Rudd	0	100/100	0	N		25	37	50	75	100
	1	85/85	0	1		0	25	50	75	100
	2	85/85	0	2		0	25	50	75	100
				HOLD		25	37	50	75	100

* Function is not available on all transmitters

SMART Throttle (BNF Only)

The new line of Spektrum ESCs feature a telemetry function called SMART Throttle. SMART Throttle technology combines the throttle signal with telemetry data from the ESC on one normal three wire servo connector.

SMART Throttle ESCs can send current, voltage, ESC temp, and mAh consumed. They can also pass along battery data from compatible Spektrum SMART batteries. SMART Throttle telemetry data shows up on your transmitter like any other telemetry sensor.

For SMART Throttle to function you must have a SMART Throttle ESC paired with a SMART Throttle telemetry receiver, and a Spektrum DSMX transmitter with telemetry. Only certain Spektrum products include SMART technology compatibility, check your receiver and ESC manual for more information. An update for your transmitter may be required for SMART features.

(See www.spektrumrc.com to register and update your transmitter.)

To activate SMART Telemetry:

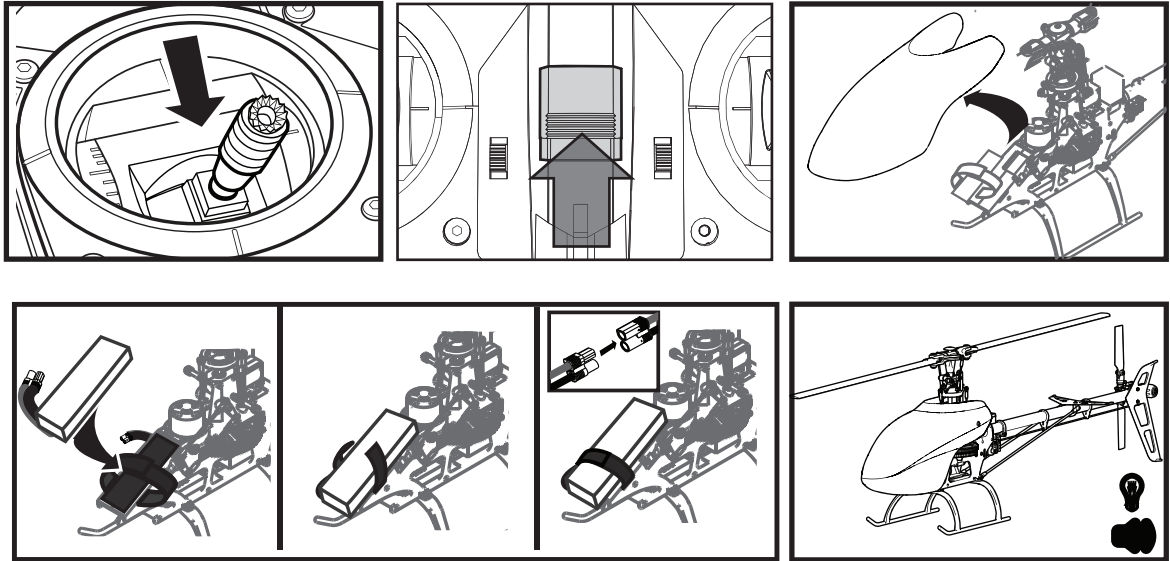
1. Keep the vehicle powered on after binding the transmitter to the receiver
2. Scroll to the Telemetry screen
3. Scroll to Settings
4. Select Auto Config

To activate Speed information using SMART Telemetry:

5. After doing the initial SMART telemetry configuration keep the vehicle powered on
6. Scroll to the Telemetry screen
7. Scroll to SMART ESC and double select
8. Scroll down to NEXT
9. Enter the values for the magnetic pole count of the motor and the gear ratio (motor and gear ratio information can be found in the manual for your vehicle)

When the radio is on and connected to a receiver sending SMART Data, the SMART Logo will appear under the battery logo on the home page and a signal bar will appear in the top left corner of the screen. Scrolling down, past the servo monitor, the SMART screens will appear. Select either ESC, battery, or both for display to suit your preference.

Installing the Flight Battery



1. Lower the throttle.
2. Power on the transmitter.
3. Center the throttle trim.
4. To allow the ESC to arm and to keep rotors from initiating at startup, turn on throttle hold and normal flight mode before connecting the flight battery.
5. Attach hook material to the helicopter frame and loop material to the battery.
6. Install the flight battery on the helicopter frame. Secure the flight battery with a hook and loop strap. Connect the battery cable to the ESC.
7. Do not move the helicopter until the receiver initializes. The swashplate will center, indicating that the unit is ready. The receiver will also emit a solid orange Status LED when it is ready.
8. The helicopter motor will emit 2 ascending tones, indicating the ESC is armed.

CAUTION: Always disconnect the Li-Po battery from the ESC power lead when not flying to avoid over-discharging the battery. Batteries discharged to a voltage lower than the lowest approved voltage may become damaged, resulting in loss of performance and potential fire when batteries are charged.

Transmitter and Receiver Binding

Binding is the process of programming the receiver to recognize the GUID (Globally Unique Identifier) code of a single specific transmitter. You need to 'bind' your

chosen Spektrum™ DSM2/DSMX technology equipped aircraft transmitter to the receiver for proper operation.

Binding Procedure

1. Program your transmitter using the Transmitter Setup found in this manual.
2. Insert the bind plug in the BND/DAT port on the receiver.
3. Connect the flight battery to the ESC. The orange LED on the receiver will begin flashing rapidly to indicate bind mode.
4. Move the throttle stick to the low throttle position in normal mode.
5. Follow the procedures of your specific transmitter to enter Bind Mode. The system will connect within a few seconds. Once connected, the orange LED will turn off and the receiver will start the initialization process.
6. When the initialization process is complete, the Status LED light will come on solid orange.
7. Disconnect the flight battery and remove the bind plug from the receiver. Store the bind plug in a convenient place.

WARNING: You must move the throttle to the LOW/OFF position during binding. Failure to do so may cause the rotor blades to spin and the helicopter to lift during the receiver initialization, which could result in damage to property and injury.

NOTICE: Remove the bind plug to prevent the system from entering bind mode the next time the power is turned on.

CAUTION: When using a Futaba® transmitter with a Spektrum™ DSM2® module, you must reverse the throttle channel

If you encounter problems, obey binding instructions and refer to transmitter troubleshooting guide for other instructions. If needed, contact the appropriate Horizon Product Support office.

Throttle Hold

Throttle hold only turns off the motor on an electric helicopter. You maintain pitch and direction control.

The blades will spin if throttle hold is OFF. For safety, turn throttle hold ON any time you need to touch the helicopter or check the direction controls.

Throttle hold is also used to turn off the motor if the helicopter is out of control, in danger of crashing, or both.

Control Tests

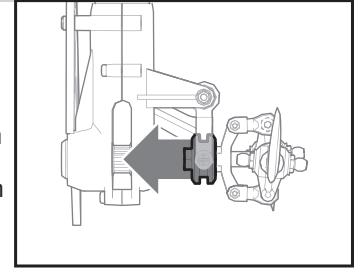
CAUTION: You must complete the Tail Rotor and Cyclic tests prior to every flight. Failure to complete the tests and ensuring the sensor corrects in the proper direction can cause the helicopter to crash, resulting in property damage and injury.

Tail Rotor

1. Power on the transmitter.
2. Turn TH HOLD ON and put the transmitter in normal mode.
3. Connect the flight battery to the ESC.

NOTICE: Do not allow the helicopter to move until the Status LED is solid orange. The receiver will not operate correctly if the helicopter moves before the Status LED is solid orange.

4. Move the rudder stick to the right. The pitch slider on the tail shaft should move toward the tail case. If the pitch slider moves in the opposite direction, ensure the rudder channel reverse setting within the transmitter is set to normal.
5. Release the rudder control. Manually turn the helicopter nose to the left. The flight controller should compensate by moving the tail slider towards the tail case.



Cyclic

When using a flybarless flight controller, you are controlling rotational rates while the receiver controls the servos. You are not directly controlling the servos with the transmitter.

It is normal for the swashplate to slowly move back to its original position after a stick input and for the servos to not move at the same speed as your control sticks.

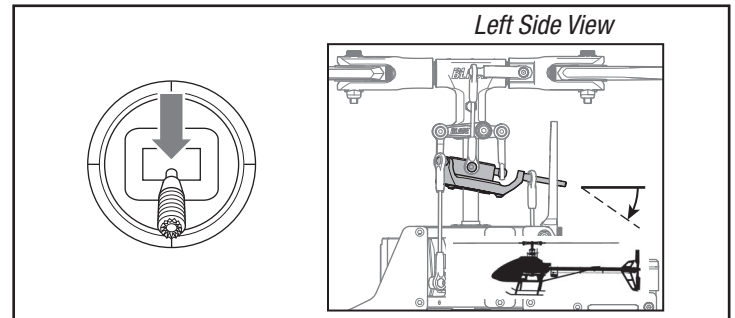
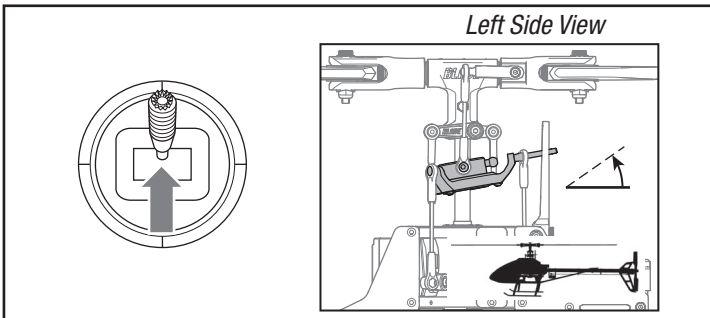
- Tilt the helicopter forward. The swashplate must tilt backward.
- Tilt the helicopter backward. The swashplate must tilt forward.
- Roll the helicopter left. The swashplate must roll right.
- Roll the helicopter right. The swashplate must roll left.

Cyclic and Collective Control Test

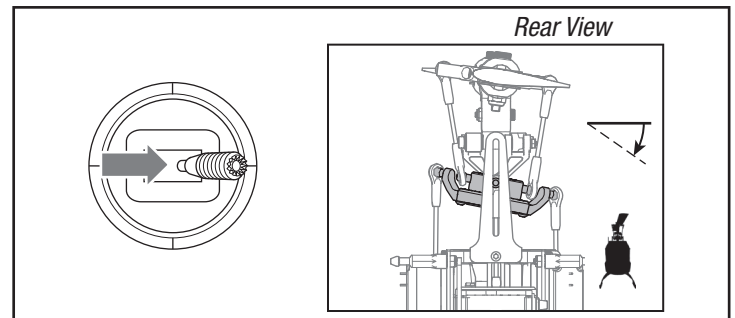
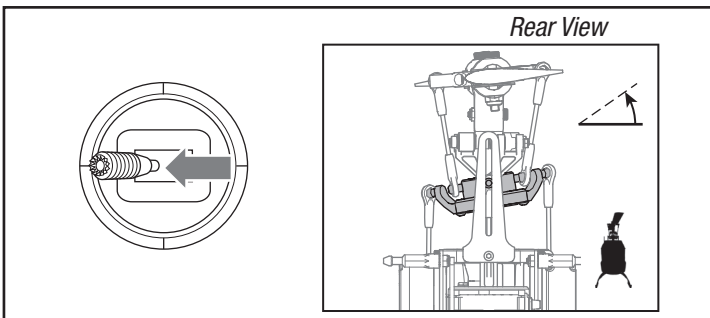
Ensure the throttle hold is ON when performing the direction control tests.

Test the controls prior to each flight to ensure the servos, linkages and parts operate correctly. If the controls do not react as shown in the illustrations below, confirm the transmitter is programmed correctly before continuing on to the Motor test.

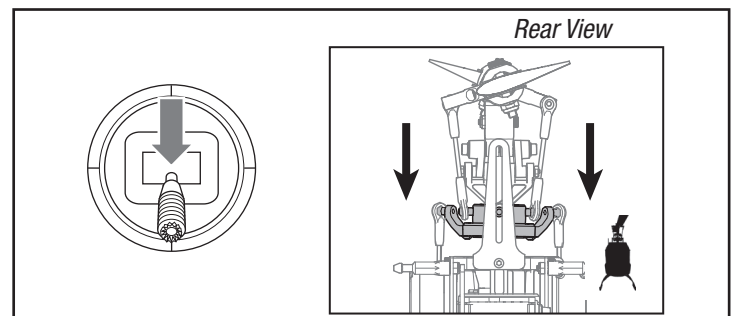
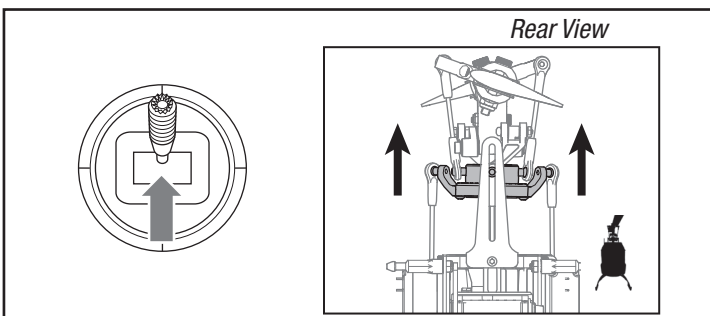
Elevator



Aileron



Collective Pitch



Motor Test

Place the helicopter outdoors on a clean, flat and level surface (concrete or asphalt) free of obstructions. Always stay clear of moving rotor blades.

1. The motor beeps twice when the helicopter's ESC arms properly. Before continuing, confirm TH HOLD is ON.

WARNING: The motor will spin when throttle is increased while TH HOLD is OFF.

2. Check the swashplate directions to ensure they are moving in the correct direction. Please refer to the diagrams above for reference.

WARNING: Stay at least 30 feet (10 meters) away from the helicopter when the motor is running. Do not attempt to fly the helicopter at this time.

3. Ensure the throttle is lowered completely. Confirm the transmitter is still set to normal flight mode. Turn throttle hold off at this time. Slowly increase the throttle until the blades begin to spin. The main blades spin clockwise when viewing the helicopter from the top. The tail rotor blades spin counterclockwise when viewing the helicopter from the right-hand side.

Low Voltage Cutoff (LVC)

The ESC will continuously lower power to the motor until complete shutdown when the battery reaches 9V under load. This helps prevent over-discharge of the Li-Po battery. Land immediately when the ESC activates LVC. Continuing to fly after LVC can damage the battery, cause a crash or both. Crash damage and batteries damaged due to over-discharge are not covered under warranty.

Repeatedly flying the helicopter until LVC activates will damage the helicopter battery. Disconnect and remove the Li-Po battery from the aircraft after use to prevent trickle discharge. During storage, make sure the battery charge does not fall below 3V per cell.

Electronic Speed Controller Governor Operation

The Blade 330 S Electronic Speed Controller (ESC) utilizes a head speed governor to maintain a constant head speed during flight. The governor will work to maintain a constant head speed throughout maneuvers and the discharge cycle of the flight battery.

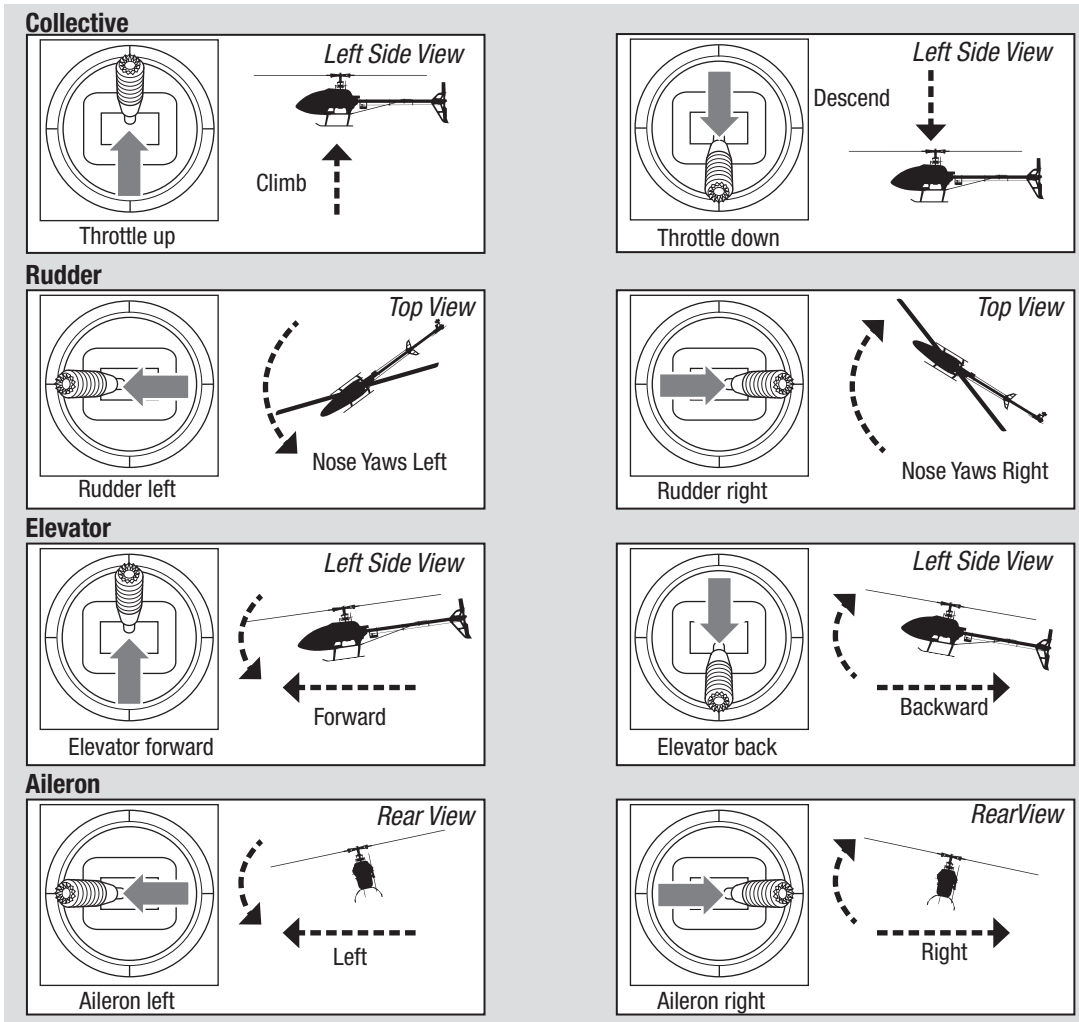
The throttle position determines the requested head speed, and although throttle curves are still used, they will be a constant value; all positions of the curve are set to the same value. The lowest position of the normal flight mode throttle curve must be set to 0 to ensure the motor can be disabled.

The default throttle curve settings listed in the transmitter setup tables should be acceptable to most pilots and we recommend starting with these values. If you feel an adjustment is necessary after a few flights, adjust the throttle percentage for the desired flight mode. We recommend making small changes of 5% to find your preferred head speed.

Remember the throttle position on the transmitter is simply requesting a specific head speed and this is not related to the actual motor power percentage.

Understanding the Primary Flight Controls

If you are not familiar with the controls of your 330 S, take a few minutes to familiarize yourself with them before attempting your first flight.



Pre-Flight Checklist

- Check all screws and ensure that they are tight
- Check belt tension and ensure that it is not too tight or too loose
- Check main and tail blades to ensure they are not damaged
- Check all links and make sure they move freely but do not pop off easily
- Check that flight battery and transmitter battery are fully charged
- Check all wires to ensure that they are not cut, pinched, or chaffed and are properly secured
- Check all wire connections
- Check gears and make sure no teeth are missing
- Do a complete control test
- Verify the receiver sensor is correcting in the proper directions
- Check that servos are functioning properly
- Check to make sure the flight battery is properly secured
- Check to make sure receiver is properly secured

Flying the Blade 330 S Helicopter

Consult local laws and ordinances before choosing a location to fly your aircraft.

Select a large, open area away from people and objects. Your first flights should be outdoors in low-wind conditions. Always stay at least 30 feet (10 meters) away from the helicopter when it is flying.

The Blade 330 S is intended to be flown outdoors by experienced pilots

Takeoff

Deliberately increase throttle and establish a hover at least 24" (0.6 meter) high, outside of ground effect.

CAUTION: Making large inputs to the roll or pitch controls while the helicopter is on the ground may result in a crash.

Flying

The helicopter lifts off the ground when the rotor head reaches a suitable speed. Establish a low-level hover to verify proper operation of your helicopter.

First flights should be performed in normal mode and low cyclic and rudder dual rates until you are familiar with the flying manner of the helicopter.

Gyro Gain Adjustment

If the tail wags or oscillates, lower the gain on the gyro.

- On your transmitter's gyro menu, decrease the gyro gain values a small amount at a time until the helicopter is stable within a particular flight mode.

If the tail is drifting while hovering, increase the gain on the gyro.

- On your transmitter, increase the gyro gain values a small amount at a time until the tail starts to wag/oscillate. Afterwards, reduce the gain until the tail stops wagging/oscillating within a particular flight mode.

Tail Belt Tension

Belt tension that is too tight results in loss of power and causes the belt to wear more quickly. Tension that is too loose can cause belt damage and loss of tail rotor control in flight.

To check for proper belt tension:

1. View the tail rotor drive belt through the opening at the back of the main frame.
2. Use a hex wrench or standard screwdriver to compress the belt through the opening.
3. Apply light pressure on the belt, compressing the belt toward the left side of the tail boom.
4. The belt tension is correct if the compressed side of the belt reaches approximately halfway to the opposite side of the belt.
 - If the compressed side of the belt reaches farther than halfway to the other side of the belt, the tension is too loose.
 - If the compressed side of the belt does not reach halfway to the other side of the belt, the tension is too tight.

To adjust belt tension:

1. Loosen the two horizontal stabilizer screws.
2. Loosen the 4 screws at the back of the main frame.
3. Slide the boom forward or aft to adjust the belt tension.
4. When the belt tension is properly adjusted, tighten the 4 screws at the back of the frame.
5. Tighten the horizontal stabilizer screws.

CAUTION: Always fly the helicopter with your back to the sun and the wind to prevent loss of flight control.

Landing

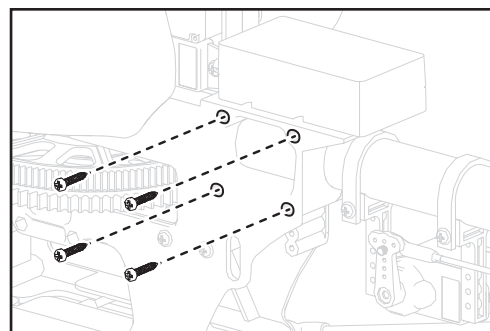
Establish a low level hover. Deliberately lower the throttle until the helicopter lands.

When the helicopter is in stunt mode:

- The rotor head speed is constant.
- The main rotor will increase negative pitch as the throttle/collective stick is moved from the middle stick position to the low stick position. Negative pitch allows the helicopter to fly upside down and perform aerobatics.

Change between stunt and idle up modes in a hover with the throttle near the hovering stick position.

WARNING: Do not use wooden main blades with the Blade 330 S or injury and/or property damage could occur. Only use Blade 330 S replacement carbon fiber main blades.



Post-Flight Inspections and Maintenance

Ball Links	Make sure the plastic ball link holds the control ball, but is not tight (binding) on the ball. When a link is too loose on the ball, it can separate from the ball during flight and cause a crash. Replace worn ball links before they fail.
Cleaning	Make sure the battery is not connected before cleaning. Remove dust and debris with a soft brush or a dry lint free cloth.
Bearings	Replace bearings when they become damaged.
Wiring	Make sure wiring does not block moving parts. Replace damaged wiring and loose connectors.
Fasteners	Make sure there are no loose screws, other fasteners or connectors. Do not over tighten metal screws in plastic parts. Tighten screw so parts are mated together, then turn screw only 1/8th of a turn more.
Rotors	Make sure there is no damage to rotor blades and other parts which move at high speed. Damage to these parts includes cracks, burrs, chips or scratches. Replace damaged parts before flying.
Flight Controller	Make sure the receiver is securely attached to the frame. Replace the double-sided tape when necessary. The helicopter will crash if the receiver separates from the helicopter frame.

Advanced Tuning (Forward Programming)

Applies to forward programming capable Spektrum Transmitters including DX6G2, DX7G2, DX8G2, DX9, iX12, DX18, DX20

The Blade 330 S default settings are appropriate for most users. We recommend flying with the default parameters before making any adjustments.

The Blade 330 S BNF flight controller may be programmed from any compatible Spektrum transmitter (visit SpektrumRC.com for more information).

The flight controller shipped with BNF models has a range of adjustable parameters suitable for the Blade 330 S Helicopter and is not intended for use in other aircraft.

It is important to use the included servos with the BNF flight controller because the adjustable parameters available for the SPMFC6250HX are designed around the recommended servos. It is possible there may not be enough range for the helicopter to be tuned when using alternative servos.

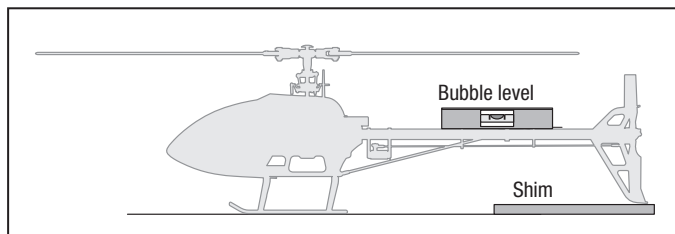
Entering the Advanced Parameters Menu

With the helicopter bound to the transmitter and powered on, enter the Function List and select Forward Programming. The list of adjustable parameters and the range of values available for tuning have been tailored for this helicopter. Make small changes to one parameter at a time and test fly the changes before changing the parameter further or changing a different parameter.

Calibration Procedure:

If the helicopter is experiencing drift issues, perform the following calibration. The calibration procedure may also be needed following crash repairs.

1. Ensure the surface used for calibration is level.
2. Power on the transmitter and activate throttle hold.
3. Connect the flight batter to the ESC and allowing the model to initialize.
4. Turn Throttle Hold ON.
5. Using a bubble level as shown below, level the helicopter by placing a shim under the landing skid.
6. Enter the Function List on your transmitter.
7. Select Forward Programming.
8. Select System Setup.
9. Select Calibration.
10. Select Apply and the calibration will begin. The LED will flash yellow indicating the calibration is proceeding normally. If the LED changes to red this indicates the model is not near level or the model was moved, in this case the calibration starts over.
11. After the calibration is successfully completed, the receiver LED will change to a slow green flash which indicates the calibration has completed.
12. Proceed to the pre-flight check list procedure before flying your model.



Factory Reset

If the process of tuning the Blade 330 S helicopter results in undesirable flight performance, you can reset the settings back to factory defaults by selecting the Factory Reset option in Forward Programming.

1. Enter the Function List
2. Select Forward Programming
3. Select System Setup
4. Select Factory Reset
5. Select Apply
6. Perform the Setup->Swashplate->Sub Trim function and ensure the servos are properly trimmed.
7. Proceed with the pre-flight check list procedure before flying the model.

Advanced Tuning (Non-Forward Programming)

Applies to Spektrum transmitters not capable of forward programming including DX6i, DX6e, DX7s DX8, and DX8e

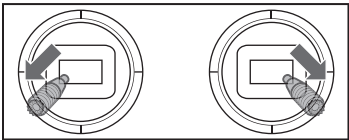
Your Blade 330 S was setup at the factory and test flown. The servo adjustment steps are usually only necessary in special circumstances, such as after a crash or if a servo or linkage is replaced.

For pilots flying with a transmitter not capable of forward programming use the following procedures to make servo adjustments and perform the calibration procedure.

The advanced tuning options must be entered within 30 seconds after initialization completes. In addition the combination of dual rates and travel adjustments must result in a throw greater than 65% in order to enter the tuning modes.

Entering Servo Adjustment Mode

1. Lower the throttle stick to the lowest position.
2. Power ON the transmitter and activate throttle hold.
3. Install the flight battery on the helicopter frame, securing it with the hook and loop strap.
4. Connect the battery connector to the ESC.
5. After initialization is complete (indicated by a slow green flash), hold the left stick to the bottom left corner and the right stick to the bottom right corner as shown.



6. Servo Adjustment Mode is indicated by the swashplate servos jumping and then slowly moving back to center.
7. Release the sticks and proceed to the next step.

Adjusting the Servo Neutral Position

With the model in Servo Adjustment Mode, the control stick and gyro inputs are disabled and the servos are held in the neutral position. Check the position of the servo arms to verify they are perpendicular to the servos.

- If the arms are perpendicular to the servos, no adjustment is necessary. Exit Servo Adjustment Mode.
- If one or more servo arm is not perpendicular to the servos, continue the servo adjustment process.

While watching the swashplate servos, apply fore or aft cyclic and release. One of the servos will jump, indicating the selected servo. Apply fore or aft cyclic and release until the servo that needs to be adjusted is selected.

Once the servo you wish to adjust is selected, move the cyclic stick left or right to adjust the servo neutral position in the desired direction.

To reset the current servo to the default neutral position, hold the rudder stick full right for two seconds.

The range of adjustment is limited. If you are unable to adjust the servo arm to be perpendicular to the servo, you must reset the servo to the default neutral position, remove the servo arm and place it back onto the servo as close to perpendicular as possible. You may then adjust the servo neutral position using left or right cyclic stick.

Swashplate Leveling

Before saving your adjustments and exiting servo adjustment mode, verify the swashplate is level and both main rotor blades are at 0 degrees pitch.

If they are not, make linkage adjustments as necessary.

Saving the Servo Adjustments

1. Lower the throttle stick to the lowest position and release the sticks.
2. Move the tail rotor stick to the left and hold for four seconds to exit Servo Adjustment Mode. The servos will jump indicating a return to normal operation.
3. Release the tail rotor stick.
4. Perform the pre-flight checklist procedure before flying your model.

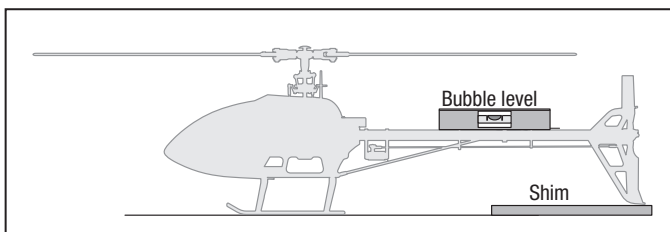
Control Input in Servo Adjustment Mode	Action in Servo Adjustment Mode
Fore/Aft Cyclic	Select Previous or Next Servo
Right/Left Cyclic	Increase or Decrease Sub Trim Adjustment
Right Tailrotor	Hold For Two Seconds; Neutral Position is Reset on Selected Servo
Left Tailrotor and Low throttle	Hold for Four Seconds; Exit Servo Adjustment mode

Calibration Procedure

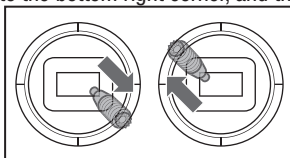
If the helicopter is experiencing drift issues after completing the trim flight procedure, perform the following calibration. The calibration procedure may also be needed following crash repairs.

To perform the calibration procedure:

1. Ensure the surface used for calibration is level.
2. Power on the transmitter and helicopter, allowing them to initialize.
3. Turn Throttle Hold ON.
4. Ensure the main motor is disconnected.
5. Using a bubble level as shown below, level the helicopter by placing a shim under the tail fin.



6. Hold the left stick to the bottom right corner, and the right stick to the upper left



corner.

7. The LED on the Flight Controller will flash yellow while calibrating. Do not move the helicopter until the calibration is completed. If the LED displays a red LED an error has occurred. Begin the

LED Indicator on FC	Indicator Description
Red Solid	FC6250HX waiting for receiver connection, system will not initialize until connected
Yellow Flash	Calibrating
Slow Green Flash	Ready to Fly
Red and Yellow Flash	Failsafe Active

calibration procedure again, starting with step 1.

8. After the calibration is successfully completed, the receiver LED will blink green.

Troubleshooting Guide

Problem	Possible Cause	Solution
Helicopter will not bind to the transmitter (during binding)	Low flight battery or transmitter battery voltage	Fully charge or replace the flight battery and/or transmitter batteries
	receiver is not in bind mode	Make sure the bind plug is connected to the receiver BND/DAT port
	Transmitter is not in bind mode	Power on the transmitter while holding the Trainer/Bind switch. Hold the Trainer/Bind switch until binding is complete
	Transmitter too close to the helicopter during binding process	Power off the transmitter. Move the transmitter further away from the helicopter. Disconnect and reconnect the flight battery to the helicopter and follow binding instructions
Helicopter will not link to the transmitter (after binding)	Helicopter is bound to a different model memory (ModelMatch™ radios only)	Disconnect the flight battery. Select the correct model memory on the transmitter. Reconnect the flight battery
	Flight battery/Transmitter battery charge is too low	Replace or recharge batteries
SPM4649T will not initialize	The helicopter was moved during initialization	Lay the helicopter on its side during initialization if windy
	The transmitter is powered off	Power on the transmitter
	Controls are not centered	Center elevator, aileron and rudder controls. Make sure the throttle is at idle
Helicopter will not respond to the throttle but responds to other controls	Throttle not at idle and/or throttle trim is too high	Lower the throttle stick and lower the throttle trim
	The transmitter is not in normal mode or throttle hold is on	Make sure the transmitter is in normal mode and throttle hold is off
	The motor is not connected to the ESC or the motor wires are damaged	Connect the motor wires to the ESC and check motor wires for damage
	Flight battery charge is too low	Replace or recharge flight battery
	Throttle channel is reversed	Reverse the throttle channel on the transmitter
Helicopter power is lacking	Flight battery has low voltage	Fully charge the flight battery
	Flight battery is old or damaged	Replace the flight battery
	Flight battery cells are unbalanced	Fully charge the flight battery, allowing the charger time to balance the cells
	Excessive current is being drawn through the BEC	Check all servos and the helicopter motor for damage
	Tail drive belt tension is not correct	See "Checking Tail Drive Belt Tension" in this manual
Helicopter will not lift off	Main rotor head is not spinning in the correct direction	Make sure the main rotor head is spinning clockwise. Refer to the motor control test
	Transmitter settings are not correct	Check throttle and pitch curve settings and pitch control direction
	Flight battery has low voltage	Fully charge the flight battery
	Main rotor blades are installed backwards	Install the main rotor blades with the thicker side as the leading edge
The helicopter tail spins out of control	Rudder control and/or sensor direction reversed	Make sure the rudder control and the rudder sensor are operating in the correct direction
	Tail servo is damaged	Check the rudder servo for damage and replace if necessary
	Inadequate control arm throw	Check the rudder control arm for adequate travel and adjust if necessary
	Tail belt is too loose	Make sure the tail drive belt tension is adjusted correctly
The helicopter wobbles in flight	Cyclic gain is too high	Please review the Advanced Settings - Gain Adjustments section
	Head speed is too low	Increase the helicopter's head speed via your transmitter settings and/or using a freshly charged flight pack
	Dampers are worn	Replace the main rotor head dampers

Limited Warranty

What this Warranty Covers

Horizon Hobby, LLC, (Horizon) warrants to the original purchaser that the product purchased (the "Product") will be free from defects in materials and workmanship at the date of purchase.

What is Not Covered

This warranty is not transferable and does not cover (i) cosmetic damage, (ii) damage due to acts of God, accident, misuse, abuse, negligence, commercial use, or due to improper use, installation, operation or maintenance, (iii) modification of or to any part of the Product, (iv) attempted service by anyone other than a Horizon Hobby authorized service center, (v) Product not purchased from an authorized Horizon dealer, (vi) Product not compliant with applicable technical regulations, or (vii) use that violates any applicable laws, rules, or regulations.

OTHER THAN THE EXPRESS WARRANTY ABOVE, HORIZON MAKES NO OTHER WARRANTY OR REPRESENTATION, AND HEREBY DISCLAIMS ANY AND ALL IMPLIED WARRANTIES, INCLUDING, WITHOUT LIMITATION, THE IMPLIED WARRANTIES OF NON-INFRINGEMENT, MERCHANTABILITY AND FITNESS FOR A PARTICULAR PURPOSE. THE PURCHASER ACKNOWLEDGES THAT THEY ALONE HAVE DETERMINED THAT THE PRODUCT WILL SUITABLY MEET THE REQUIREMENTS OF THE PURCHASER'S INTENDED USE.

Purchaser's Remedy

Horizon's sole obligation and purchaser's sole and exclusive remedy shall be that Horizon will, at its option, either (i) service, or (ii) replace, any Product determined by Horizon to be defective. Horizon reserves the right to inspect any and all Product(s) involved in a warranty claim. Service or replacement decisions are at the sole discretion of Horizon. Proof of purchase is required for all warranty claims. SERVICE OR REPLACEMENT AS PROVIDED UNDER THIS WARRANTY IS THE PURCHASER'S SOLE AND EXCLUSIVE REMEDY.

Limitation of Liability

HORIZON SHALL NOT BE LIABLE FOR SPECIAL, INDIRECT, INCIDENTAL OR CONSEQUENTIAL DAMAGES, LOSS OF PROFITS OR PRODUCTION OR COMMERCIAL LOSS IN ANY WAY, REGARDLESS OF WHETHER SUCH CLAIM IS BASED IN CONTRACT, WARRANTY, TORT, NEGLIGENCE, STRICT LIABILITY OR ANY OTHER THEORY OF LIABILITY, EVEN IF HORIZON HAS BEEN ADVISED OF THE POSSIBILITY OF SUCH DAMAGES. Further, in no event shall the liability of Horizon exceed the individual price of the Product on which liability is asserted. As Horizon has no control over use, setup, final assembly, modification or misuse, no liability shall be assumed nor accepted for any resulting damage or injury. By the act of use, setup or assembly, the user accepts all resulting liability. If you as the purchaser or user are not prepared to accept the liability associated with the use of the Product, purchaser is advised to return the Product immediately in new and unused condition to the place of purchase.

Law

These terms are governed by Illinois law (without regard to conflict of law principals). This warranty gives you specific legal rights, and you may also have other rights which vary from state to state. Horizon reserves the right to change or modify this warranty at any time without notice.

WARRANTY SERVICES

Questions, Assistance, and Services

Your local hobby store and/or place of purchase cannot provide warranty support or service. Once assembly, setup or use of the Product has been started, you must contact your local distributor or Horizon directly. This will enable Horizon to better answer your questions and service you in the event that you may need any assistance. For questions or assistance, please visit our website at www.horizonhobby.com, submit a Product Support Inquiry, or call the toll free telephone number referenced in the Warranty and Service Contact Information section to speak with a Product Support representative.

Inspection or Services

If this Product needs to be inspected or serviced and is compliant in the country you live and use the Product in, please use the Horizon Online Service Request submission process found on our website or call Horizon to obtain a Return Merchandise Authorization (RMA) number. Pack the Product securely using a shipping carton. Please note that original boxes may be included, but are not designed to withstand the rigors of shipping without additional protection. Ship via a carrier that provides tracking and insurance for lost or damaged parcels, as Horizon is not responsible for merchandise until it arrives and is accepted at our facility. An Online Service Request is available at http://www.horizonhobby.com/content/service-center_render-service-center. If you do not have internet access, please contact Horizon Product Support to obtain a RMA number along with instructions for submitting your product for service. When calling Horizon, you will be asked to provide your complete name, street address, email address and phone number where you can be reached during business hours. When sending product into Horizon, please include your RMA number, a list of the included items, and a brief summary of the problem. A copy of your original sales receipt must be included for warranty consideration. Be sure your name, address, and RMA number are clearly written on the outside of the shipping carton.

NOTICE: Do not ship LiPo batteries to Horizon. If you have any issue with a LiPo battery, please contact the appropriate Horizon Product Support office.

Warranty Requirements

For Warranty consideration, you must include your original sales receipt verifying the proof-of-purchase date. Provided warranty conditions have been met, your Product will be serviced or replaced free of charge. Service or replacement decisions are at the sole discretion of Horizon.

Non-Warranty Service

Should your service not be covered by warranty, service will be completed and payment will be required without notification or estimate of the expense unless the expense exceeds 50% of the retail purchase cost. By submitting the item for service you are agreeing to payment of the service without notification. Service estimates are available upon request. You must include this request with your item submitted for service. Non-warranty service estimates will be billed a minimum of ½ hour of labor. In addition you will be billed for return freight. Horizon accepts money orders and cashier's checks, as well as Visa, MasterCard, American Express, and Discover cards. By submitting any item to Horizon for service, you are agreeing to Horizon's Terms and Conditions found on our website http://www.horizonhobby.com/content/service-center_render-service-center.

ATTENTION: Horizon service is limited to Product compliant in the country of use and ownership. If received, a non-compliant Product will not be serviced. Further, the sender will be responsible for arranging return shipment of the un-serviced Product, through a carrier of the sender's choice and at the sender's expense. Horizon will hold non-compliant Product for a period of 60 days from notification, after which it will be discarded. 10/15

Warranty and Service Contact Information

Country of Purchase	Horizon Hobby	Contact Information	Address
United States of America	Horizon Service Center (Repairs and Repair Requests)	servicecenter.horizonhobby.com/RequestForm/	2904 Reasearch Rd Champaign, Illinois, 61822 USA
	Horizon Product Support (Product Technical Assistance)	productsupport@horizonhobby.com 877-504-0233	
	Sales	websales@horizonhobby.com 800-338-4639	
European Union	Horizon Technischer Service	service@horizonhobby.eu	Hanskampring 9 D 22885 Barsbüttel, Germany
	Sales: Horizon Hobby GmbH	+49 (0) 4121 2655 100	

FCC Information

FCC ID: BRWAR4649T and FCC ID: BRWDXE

This device complies with part 15 of the FCC Rules. Operation is subject to the following two conditions: (1) This device may not cause harmful interference, and (2) this device must accept any interference received, including interference that may cause undesired operation.

NOTICE: Modifications to this product will void the user's authority to operate this equipment.

This product contains a radio transmitter with wireless technology which has been tested and found to be compliant with the applicable regulations governing a radio transmitter in the 2.400GHz to 2.4835GHz frequency range. When operating your Spektrum receiver, please be sure to maintain a separation distance of at least 20 cm between your body (excluding fingers, hands, wrists, ankles and feet) and the antenna to meet RF exposure safety requirements as determined by FCC regulations.

This device complies with part 15 of the FCC Rules. Operation is subject to the following two conditions: (1) This device may not cause harmful interference, and (2) this device must accept any interference received, including interference that may cause undesired operation.

 **CAUTION:** changes or modifications not expressly approved by the party responsible for compliance could void the user's authority to operate the equipment.

NOTE: This equipment has been tested and found to comply with the limits for a Class B digital device, pursuant to part 15 of the FCC Rules. These limits are designed to provide reasonable protection against harmful interference in a residential installation. This equipment generates, uses and can radiate radio frequency energy and, if not installed and used in accordance with the instructions, may cause harmful interference to radio communications. However, there is no guarantee that interference will not occur in a particular installation. If this equipment does cause harmful interference to radio or television reception, which can be determined by turning the equipment off and on, the user is encouraged to try to correct the interference by one or more of the following measures:

- Reorient or relocate the receiving antenna.
- Increase the separation between the equipment and receiver.
- Connect the equipment into an outlet on a circuit different from that to which the receiver is connected.
- Consult the dealer or an experienced radio/TV technician for help.

Horizon Hobby, LLC
2904 Research Rd., Champaign, IL 61822
Email: compliance@horizonhobby.com
Web: HorizonHobby.com

IC Information

IC: 6157A-AR4649T, 6157A-DXE

CAN ICES-3 (B)/NMB-3(B)

This device complies with Industry Canada licence-exempt RSS standard(s). Operation is subject to the following two conditions:

- (1) this device may not cause interference.
- (2) this device must accept any interference, including interference that may cause undesired operation of the device."

Compliance Information for the European Union

EU Compliance Statement: **Blade 330 S RTF (BLH5900)**

Horizon Hobby, LLC hereby declares that this product is in compliance with the essential requirements and other relevant provisions of the RED and EMC Directives.

A copy of the EU Declaration of Conformity is available online at: <http://www.horizonhobby.com/content/support-render-compliance>.

Frequency Band: 2404-2476 MHz

Max EIRP: 20dBm

Transmitter Max EIRP: 20dBm

Blade 330 S BNF Basic (BLH5950)

Horizon Hobby, LLC hereby declares that this product is in compliance with the essential requirements and other relevant provisions of the RED and EMC Directives.

A copy of the EU Declaration of Conformity is available online at: <http://www.horizonhobby.com/content/support-render-compliance>.

Frequency Band: 2404-2476 MHz

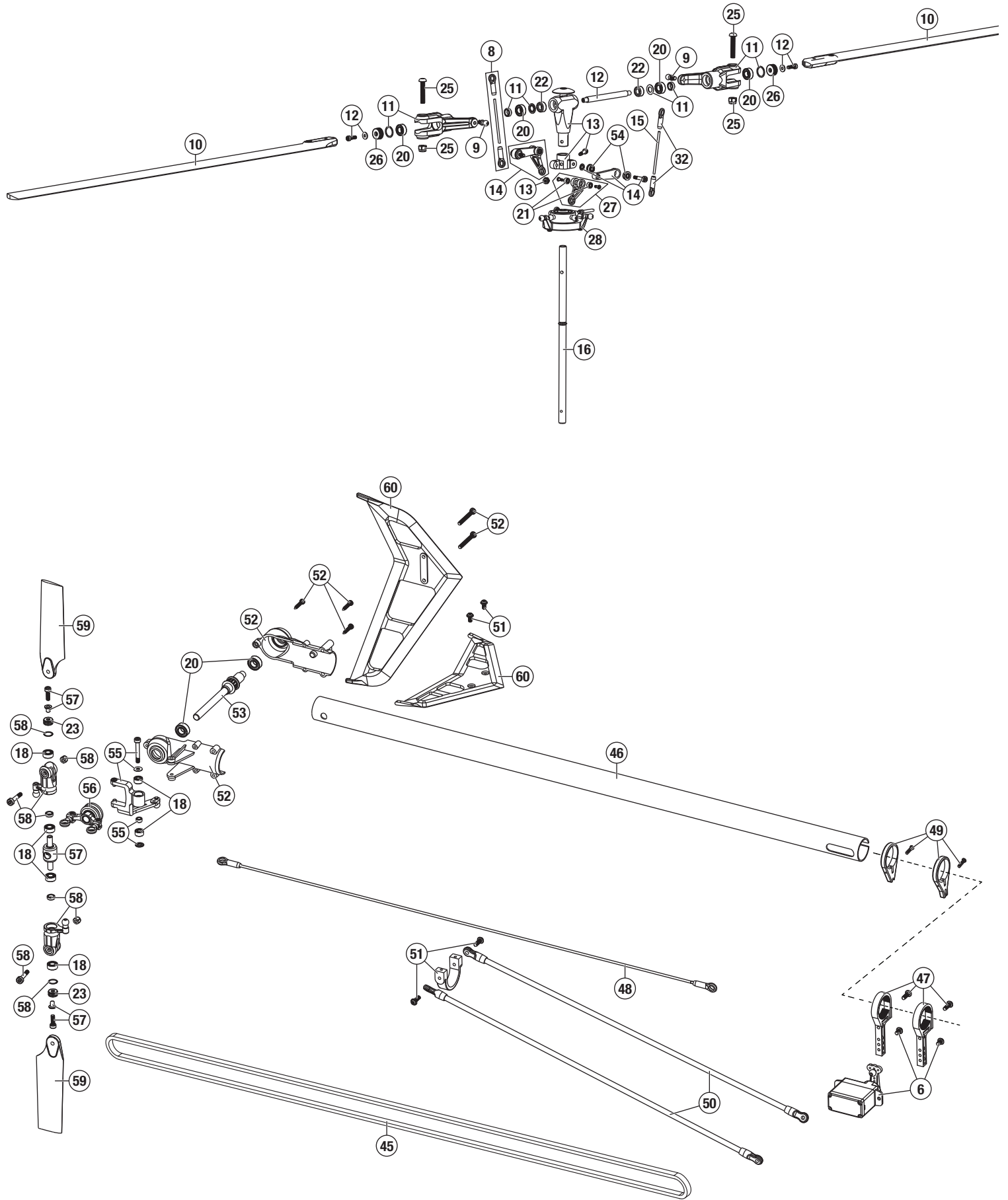
Max EIRP: 20dBm

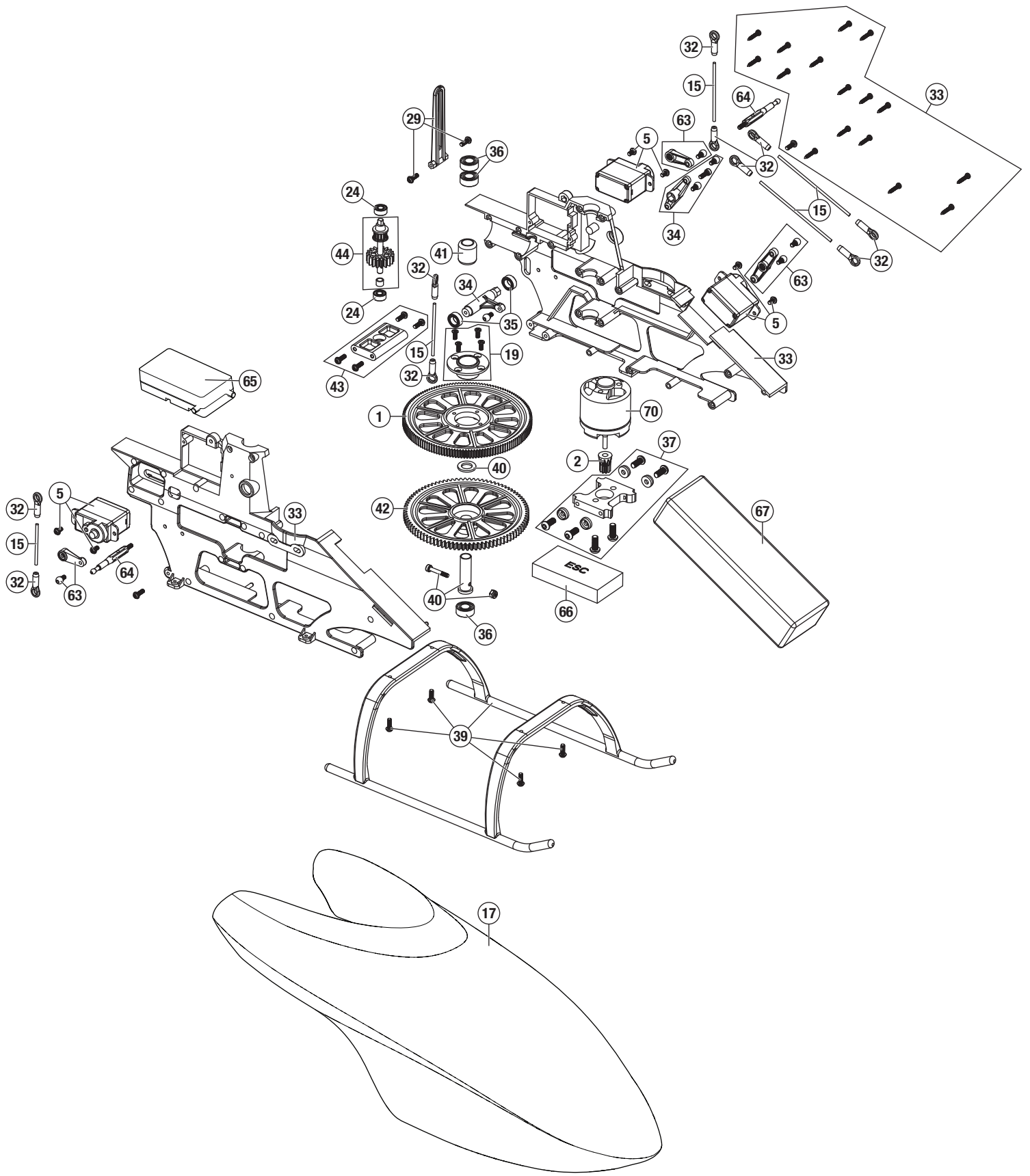
Instructions for disposal of WEEE by users in the European Union



This product must not be disposed of with other waste. Instead, it is the user's responsibility to dispose of their waste equipment by handing it over to a designated collections point for the recycling of waste electrical and electronic equipment. The separate collection and recycling of your waste equipment at the time of disposal will help to conserve natural resources and make sure that it is recycled in a manner that protects human health and the environment. For more information about where you can drop off your waste equipment for recycling, please contact your local city office, your household waste disposal service or where you purchased the product.







Parts List / Ersatzteile / Pièces de Rechange / Pezzi di Ricambio

#	Part #	English	Deutsch	Français	Italiano
1	BLH1901	Helical Main Gear B450/300X/CFX	Blade 450/300x/300CFX: Hauptzahnrad schrägverz.	B450/300X/300CFX - Couronne principale hélicoïdale	Ingran. principale elicoidale B450/300X/CFX
2	BLH1902	Helical Pinion 10T B450/300X/CFX	Blade 450/300x/300CFX: Ritzel 10 Z schrägverz.	B450/300X/300CFX - Pignon hélicoïdal 10T	Pignone elicoidale 10T B450/300X/CFX
3	SPMSP1040	Gears, Metal Cyclic 12 g Servo	Spektrum Ersatzgetriebe Taumelscheibenservo dig. 12g MG	Servo digital 12g cyclique - Pignons métal de remplacement	Ingranaggi in metallo per servo ciclico 12g
4	SPMSP1041	Gears, Metal Tail 12 g Servo	Spektrum Ersatzgetriebe Heckrotorservo dig. 9g MG	Servo digital 12g anti-couple - Pignons métal de remplacement	Ingranaggi in metallo per servo coda 12g
5	SPMSH3050	Cyclic Servo 12 g Metal Gear	Spektrum Taumelscheibenservo dig. 12g MG	Servo digital 12g de cyclique, pignons métal	Servo ciclico 12g con ingran. metallo
6	SPMSH3060	Tail Servo 12 g Metal Gear	Spektrum Heckrotorservo dig. 12g MG	Servo digital 12g anti-couple, pignons métal	Servo coda 12g con ingran. metallo
7	SPMSP2052	Servo Case 12 g Metal Gear	Spektrum Servogehäuse Set 12g MG	Servo digital 12g - Boitier de servo	Scatola per servo 12g
8	BLH4301	Flybarless Linkage Set: B450 X	Flybarless-Anlenkgestänge-Set: B450 X	Set de tringleries Flybarless : B450 X	Set giunti senza flybar: B450 X
9	BLH4303	Main Rotor Blade Grip FBL Control Balls (2): B450 X	FBL Hauptrotorblatthalterung-Steuerungskugelhöpfe (2) B450 X	Rotules de commande de pieds de pales principales FBL (2) : B450 X	Sfere di controllo FBL stringi pale del rotore principale (2): B450 X
10	BLH4315	CF FBL Main Blade Set 325mm with washers: B450 X	CF FBL Hauptblatt-Set 325 mm, mit Unterlagsscheibe B450 X	Set de pales principales 325 mm CF FBL avec rondelles : B450 X	Set pale principali CF FBL 325 mm con rondelle: B450 X
11	BLH4317	Flybarless Main Rotor Grip Set: B450 X	Flybarless-Hauptrotor-Halterungs-Set: B450 X	Set de pieds de rotor principal Flybarless : B450 X	Set stringi pale del rotore principale senza flybar: B450 X
12	BLH4321	Flybarless Spindle Set (2): B450 X	Flybarless-Spindel-Set (2): B450 X	Set d'axes Flybarless (2) : B450 X	Set perno senza flybar (2): B450 X
13	BLH4322	Aluminum Flybarless Head Block Set: B450 X	Aluminium-Flybarless-Rotorkopfblock-Set: B450 X	Set de moyeu de tête Flybarless en aluminium : B450 X	Set blocco testa senza flybar in alluminio: B450 X
14	BLH4331	Flybarless Follower Arms: B450 X	Flybarless-Tastarme: B450 X	Bras suivants Flybarless : B450 X	Bracci inseguitore senza flybar: B450 X
15	BLH4338	Linkage Rod/Pushrod Set: B450 X	Anlenkgestänge-/Schubstangen-Set: B450 X	Set de tringleries de traction/pression : B450 X	Set asta/asta di spinta del giunto: B450 X
16	BLH4347	Flybarless Main Shaft (2): B450 X	Flybarless-Hauptwelle (2): B450 X	Axe principal Flybarless (2) : B450 X	Albero principale senza flybar(2): B450 X
17	BLH4006	BLADE Fiberglass canopy: 330S	BLADE Glasfaser-Kabinendach: 330S	Verrière en fibre de verre BLADE : 330S	Tettuccio di vetroresina per BLADE: 330S
18	EFLH1115	Bearing 3x6x2.5mm (2): B450 3D/X, B400	Lager 3 x 6 x 2,5 mm (2): B450 3D/X, B400	Roulement 3x6x2.5mm (2) : B450 3D/X, B400	Cuscinetto 3x6x2,5 mm (2): B450 3D/X, B400
19	BLH1603	One-Way Bearing Hub with One-Way Bearing: B450 3D/X	Lagermabe für Einweglager mit Einweglager: B450 3D/X	Moyeu de roue libre/roue libre : B450 3D/X	Mozzo con cuscinetto unidirezionale: B450 3D/X
20	BLH1605	4x8x3 bearing Main Grip and Tail shaft (4): B450 3D/X	4 x 8 x 3 Lager Haupthalterung und Heckwelle (4): B450 3D/X	Roulement 4x8x3 de pieds de pales et d'axe anticouple (4) : B450 3D/X	Cuscinetto albero principale e albero di coda 4x8x3 (4): B450 3D/X
21	BLH1607	1.5x4x2 Bearings Washout Links (4): B450 3D/X	1,5 x 4 x 2 Lager Washout-Gestänge (4): B450 3D/X	Roulements épaulés 1.5x4x2 (4): B450 3D/X	1,5x4x2 cuscinetti collegamenti washout (4): B450 3D/X
22	BLH1608	Dampeners 80 Deg (4): B450 3D/X	Dämpfer 80 Grad (4): B450 3D/X	Amortisseurs 80 deg (4) : B450 3D/X	Smorzatori 80 gradi (4): B450 3D/X
23	BLH1612	Tail Grip Thrust Bearings: B450 3D/X	Heckhalterung-Gegenlager: B450 3D/X	Butées à billes de pied de pale d'anticouple : B450 3D/X	Cuscinetti di spinta stringi pale di coda: B450 3D/X
24	BLH1613	3x7x3 Bearing (2): B450 3D/X	3 x 7 x 3 Lager (2): B450 3D/X	Roulement 3x7x3 (2) : B450 3D/X	3x7x3 cuscinetto (2): B450 3D/X
25	BLH1616	Main Rotor Blade Mounting Screw and Nut Set (2): B450 3D/X	Set Hauptrotorblatt-Befestigungsschrauben und Nuten (2): B450 3D/X	Set de vis et d'écrou pour pales principales (2) : B450 3D/X	Set vite di fissaggio e dado della pala del rotore principale (2): B450 3D/X
26	BLH1620	Main Grip Thrust Bearing (2): B450 3D/X, B400	Haupthalterung-Gegenlager (2): B450 3D/X, B400	Butées à billes de pieds de pales principales (2) : B450 3D/X, B400	Cuscinetto di spinta stringi pala principale (2): B450 3D/X, B400
27	BLH1632	Washout Control Arm Link Set: B450 3D/X	Washout-Steuerarmgestänge-Set: B450 3D/X	Set de tringleries de Washout : B450 3D/X	Set collegamento braccio di controllo washout: B450 3D/X
28	BLH1633	Aluminum and Composite Swashplate: B450 3D/X, B400	Aluminium- und Verbundstoff-Taumelscheibe: B450 3D/X, B400	Plateau cyclique en aluminium et composite : B450 3D/X, B400	Piatto ciclico in alluminio e in composito: B450 3D/X, B400
29	BLH1634	Anti-Rotation Bracket Guide: B450 3D/X, B400	Anti-Rotations-Bügel/-Führung: B450 3D/X, B400	Guide de plateau cyclique : B450 3D/X, B400	Staffa guida anti-rotazione: B450 3D/X, B400
30	BLH1635	Control/ Linkage Ball, Long (4): B450 3D/X, B400	Steuerkugelhkopf/Kugelhkopf Anlenkgestänge, lang (4): B450 3D/X, B400	Tringleries de commandes, longues (4) : B450 3D/X, B400	Comando/ sfera del giunto, lungo (4): B450 3D/X, B400
31	BLH1636	Control- Linkage Ball, Short (10): B450 3D/X, B400	Steuerkugelhkopf/Kugelhkopf-Anlenkgestänge, kurz (10): B450 3D/X, B400	Tringleries de commandes, courtes (10) : B450 3D/X, B400	Comando/ sfera del giunto, corto (10): B450 3D/X, B400
32	BLH1637	Ball Link Set (20): B450 3D/X, B400	Kugelhkopfpfannen-Set (20): B450 3D/X, B400	Set de rotules (20) : B450 3D/X, B400	Set collegamento sfera (20): B450 3D/X, B400
33	BLH4005	Main Frame Set: 330X	Hauptrahmen-Set: 330X	Châssis : 330X	Set telaio principale: 330X
34	BLH1640	Elevator Control Lever Set: B450 3D/X, B400	Höhenruder-Steuerhebel-Set: B450 3D/X, B400	Set de leviers de commande de profondeur B450 3D/X, B400	Set leva comando elevatore: B450 3D/X, B400
35	BLH1641	5 x 8 x 2.5 Bearing Elevator Control lever (2): B450 3D/X, B400	5 x 8 x 2,5 Lager Höhenruder-Steuerhebel (2): B450 3D/X, B400	Roulements 5x8x2,5 de levier de commande de profondeur (2) : B450 3D/X, B400	5 x 8 x 2,5 cuscinetto leva comando elevatore (2): B450 3D/X, B400
36	BLH1642	5 x 10 x 4 Bearings Main Shaft (2): B450 3D/X, B400	5 x 10 x 4 Lager Hauptwelle (2): B450 3D/X, B400	Roulements 5x10x4 d'axe principal (2) : B450 3D/X, B400	5 x 10 x 4 cuscinetti albero principale (2): B450 3D/X, B400

#	Part #	English	Deutsch	Français	Italiano
37	BLH1643	Aluminum Motor Mount Set: B450 3D/X, B400	Aluminium-Motorbefestigungs-Set: B450 3D/X, B400	Set de fixations moteur en aluminium : B450 3D/X, B400	Set montante del motore in alluminio: B450 3D/X, B400
38	BLH1644	Hook & Loop Battery Strap: B450 3D/X, B400 (not shown)	Akku-Klettverschlussband B450 3D/X, B400 (nicht gezeigt)	Sangles crochet et boucle pour ruban adhésif d'accu : B450 3D/X, B400 (non représenté)	Bandella e gancio della batteria: B450 3D/X, B400 (non mostrato)
39	BLH1645	Landing Gear Set: B450 3D/X	Fahrwerk-Set: B450 3D/X	Set de train d'atterrissage : B450 3D/X	Set del carrello di atterraggio: B450 3D/X
40	BLH1649	One-Way Bearing Shaft and Shim Set: B450 3D/X, B400	Set Einweglagerwelle und Unterlagsscheiben: B450 3D/X, B400	Axe de roue libre et set de rondelles : B450 3D/X, B400	Set albero ingranaggio di autorotazione e spessore: B450 3D/X, B400
41	BLH1652	One-Way Bearing 6 x 10 x 12: B450 3D/X, B400	Einweglager 6 x 10 x 12: B450 3D/X, B400	Roue libre 6x10x12 : B450 3D/X, B400	Cuscinetto unidirezionale 6 x 10 x 12: B450 3D/X, B400
42	BLH1653	Main Tail Drive Gear (2): B450 3D/X	Heckhauptgetriebe (2): B450 3D/X	Couronne d'anticouple (2) : B450 3D/X	Ingranaggio di trasmissione di coda principale (2): B450 3D/X
43	BLH1654	Tail Drive Shaft Lower Bearing Block Mount: B450 3D/X	Befestigung Heckantriebswelle unterer Lagerblock: B450 3D/X	Support de roulement inférieur : B450 3D/X	Montante blocco cuscinetto inferiore dell'albero di trasmissione di coda: B450 3D/X
44	BLH1655	Tail Drive Gear Pulley Assembly: B450 3D/X, B400	Heckgetriebe-Riemenscheiben-Anordnung: B450 3D/X, B400	Arbre d'anticouple pignon/poulie : B450 3D/X, B400	Gruppo puleggia ingranaggio di trasmissione di coda: B450 3D/X, B400
45	BLH1656	Tail Drive Belt: B450 3D/X, B400	Antriebsriemen Heck: B450 3D/X, B400	Courroie d'anticouple : B450 3D/X, B400	Cinghia di trasmissione di coda: B450 3D/X, B400
46	BLH1657	Tail Booms (2): B450 3D/X	Heckausleger (2): B450 3D/X	Poutre de queue (2) : B450 3D/X	Aste di coda(2): B450 3D/X
47	BLH1658	Tail Servo Boom Mount (2): B450 3D/X	Servobefestigung Heckausleger (2): B450 3D/X	Fixation de servo d'anticouple (2) : B450 3D/X	Montante asta servo di coda (2): B450 3D/X
48	BLH1659	Tail Linkage Pushrod set (2): B450 3D/X	Anlenkgestänge-/Schubstangen-Set für Heck (2): B450 3D/X	Tringlerie de commande d'anticouple (2) : B450 3D/X	Set asta di spinta giunti di coda (2): B450 3D/X
49	BLH1660	Tail Pushrod Support Guide Set: B450 3D/X	Heck-Schubstangen-Stützführung-Set: B450 3D/X	Set de guide de commande d'anticouple : B450 3D/X	Set guida di sostegno asta di spinta di coda: B450 3D/X
50	BLH1661	Tail Boom Brace Support Set (2): B450 3D/X	Heckauslegerhalterungs/Stützset (2): B450 3D/X	Set de renforts et supports de tube de queue (2) : B450 3D/X	Set sostegno braccio asta di coda (2): B450 3D/X
51	BLH1662	Horizontal Stabilizer Fin Mount: B450 3D/X	Befestigung horizontale Stabilisierungsflosse: B450 3D/X	Fixation de dérive et stabilisateur : B450 3D/X	Montaggio deriva di stabilizzazione orizzontale: B450 3D/X
52	BLH1663	Tail Case Set: B450 3D/X	Heckabdeckungs-Set: B450 3D/X	Set de boîtier d'anticouple B450 3D/X	Set case coda: B450 3D/X
53	BLH1665	Tail Rotor Shaft and Drive Pulley (2): B450 3D/X	Welle und Antriebs Scheibe Heckrotor (2): B450 3D/X	Axe et poulie de rotor d'anticouple (2) : B450 3D/X	Albero rotore di coda e puleggia di trasmissione (2): B450 3D/X
54	BLH1666	2x5x2.5 Bearing: B450, B400	2 x 5 x 2,5 Lager: B450, B400	Roulement 2x5x2.5 : B450, B400	2x5x2,5 cuscinetto: B450, B400
55	BLH1667	Tail Rotor Pitch Lever Set: B450 3D/X	Heckrotor-Pitchhebel-Set: B450 3D/X	Set de levier de pas d'anticouple : B450 3D/X	Set leva pitch del rotore di coda: B450 3D/X
56	BLH1668	Tail Rotor Pitch Control Slider Set: B450 3D/X	Heckrotor-Pitchschieberegler-Set: B450 3D/X	Set de slider d'anticouple : B450 3D/X	Set cursore comando passo rotore di coda: B450 3D/X
57	BLH1669	Tail Rotor Hub Set: B450 3D/X	Heckrotornaben-Set: B450 3D/X	Moyeu d'anticouple : B450 3D/X	Set mozzo rotore di coda: B450 3D/X
58	BLH1670	Tail Rotor Blade Grip Holder Set: B450 3D/X	Heckrotorblatthalterungs-Set: B450 3D/X	Set de pieds de pales d'anticouple : B450 3D/X	Set sostegno stringi pala rotore di coda: B450 3D/X
59	BLH1671	Tail Rotor Blade Set: B450 3D/X	Heckrotorblatt-Set: B450 3D/X	Set de pales d'anticouple : B450 3D/X	Set pale del rotore di coda: B450 3D/X
60	BLH1672	Stabilizer Fin Set White: B450 3D/X	Stabilisierungsflossen-Set, weiß: B450 3D/X	Set Dérive/stabilisateur, blanc : B450 3D/X	Set deriva di stabilizzazione bianca: B450 3D/X
61	BLH1673	Complete Hardware Set: B450 3D/X	Komplettes Hardware-Set: B450 3D/X	Set de visserie : B450 3D/X	Set completo hardware: B450 3D/X
62	BLH1674	Mounting Accessories, Screwdriver & Wrench: B450 3D/X, B400 (not shown)	Befestigungszubehör, Schraubenzieher & Schraubenschlüssel: B450 3D/X, B400 (nicht gezeigt)	Set d'outils tournevis et clés : B450 3D/X, B400 (non représenté)	Accessori montaggio, cacciavite e chiave: B450 3D/X, B400 (non mostrato)
63	BLH1676	Servo Arm Set: B450 3D/X, B400	Servoarm-Set: B450 3D/X, B400	Set de bras de servos : B450 3D/X, B400	Set braccio del servo: B450 3D/X, B400
64	BLH1679	Canopy Mounts (2): B450 3D/X	Canopy-Befestigungselemente (2): B450 3D/X	Fixations de bulle (2) : B450 3D/X	Staffe di montaggio calottina (2): B450 3D/X
65	SPMFC6250HX	Helicopter Flybarless Flight Control	Hubschrauber-Flugsteuerung ohne Paddelstange	Commande de vol de l'hélicoptère sans barre stabilisatrice	Controller di volo per elicotteri Flybarless
66	SPMXAE1030	Avian 30 Amp Brushless Smart ESC	Avian Bürstenloser 30-A-Smart-ESC	Variateur ESC Avian sans balais 30 A Smart	Smart ESC Avian 30 A Brushless
67	SPMX22003S30	11.1V 2200mAh 3S 30C Smart LiPo Battery, IC3	11,1 V 2200 mAh 3S 30C Smart LiPo-Akku, IC3	Batterie LiPo Smart 11,1 V 2200 mAh 3S 30C, IC3	Batteria LiPo Smart 30C 11,1 V 2200 mAh, IC3
68	BLH1001	Mini Helicopter Main Blade Holder (not shown)	Mini-Helikopter-Hauptblatt-Halterung (nicht gezeigt)	Support de pales principales Hélico (non représenté)	Supporto pala principale Mini elicottero (non mostrato)
69	SPMXC1020	Spektrum S120 USB-C Smart Charger 1x20W	Spektrum S120 USB-C Smart-Ladegerät, 1 x 20 W	Chargeur Smart Spektrum S120 USB-C, 1 x 20 W	Caricabatteria Spektrum USB S120 USB-C SMART 1x20W
70	EFLM 1360HA	Brushless 440 Helicopter Motor, 4200Kv	Brushless 440 Helikoptermotor, 4200 KV	Moteur d'hélicoptère Brushless 440, 4200Kv	Motore brushless elicottero 440, 4200 KV

Optional Parts / Optionale Bauteile / Pièces Optionnelles / Pezzi Opzionali

Part #	English	Deutsch	Français	Italiano
BLH1903	Helical Pinion 11T B450/300X/CFX	Blade 450/300x/300CFX: Ritzel 11 Z schrägverz.	B450/300X/300CFX - Pignon hélicoïdal 11T	Pignone elicoidale 11T B450/300X/CFX
BLH1904	Helical Pinion 12T B450/300X/CFX	Blade 450/300x/300CFX: Ritzel 12 Z schrägverz.	B450/300X/300CFX - Pignon hélicoïdal 12T	Pignone elicoidale 12T B450/300X/CFX
BLH1905	Helical Pinion 13T B450/300X/CFX	Blade 450/300x/300CFX: Ritzel 13 Z schrägverz.	B450/300X/300CFX - Pignon hélicoïdal 131T	Pignone elicoidale 13T B450/300X/CFX
BLH1906	Helical Pinion 14T B450/300X/CFX	Blade 450/300x/300CFX: Ritzel 14 Z schrägverz.	B450/300X/300CFX - Pignon hélicoïdal 14T	Pignone elicoidale 14T B450/300X/CFX
BLH1907	Helical Pinion 15T B450/300X/CFX	Blade 450/300x/300CFX: Ritzel 15 Z schrägverz.	B450/300X/300CFX - Pignon hélicoïdal 15T	Pignone elicoidale 15T B450/300X/CFX
BLH4302	Flybarless Setup Tool: B450 X	Flybarless-Setupwerkzeug: B450 X	Outil de réglage Flybarless : B450 X	Attrezzo setup senza flybar: B450 X
BLH4317A	Aluminum Flybarless Main Rotor Grip Set: B450 X	Aluminium-Flybarless- Hauptrotorhalterungs-Set: B450 X	Set de pieds de rotor principal Flybarless en aluminium : B450 X	Set stringi pale del rotore principale senza flybar in alluminio: B450 X
BLH4331A	Aluminum Flybarless Follower Arms: B450 X	Aluminium-Flybarless-Tastarme: B450 X	Bras suiveurs Flybarless en aluminium : B450 X	Bracci inseguitore senza flybar: B450 X
BLH1633A	Aluminum Swashplate: B450 3D/X, B400	Aluminium-Taumelscheibe: B450 3D/X, B400	Plateau cyclique en aluminium : B450 3D/X, B400	Piatto ciclico in alluminio: B450 3D/X, B400
BLH1634A	Aluminum Anti-Rotation Bracket/Guide: B450 3D/X, B400	Aluminium-Anti-Rotations-Bügel/-Füh- rung: B450 3D/X, B400	Guide de plateau cyclique en aluminium : B450 3D/X, B400	Staffa/guida anti-rotazione in allumi- nio: B450 3D/X, B400
BLH1645B	Landing Gear Set, Black: B450 3D/X	Fahrwerk-Set, schwarz: B450 3D/X	Jeu de train d'atterrissage, Noir : B450 3D/X	Set del carrello di atterraggio, nero: B450 3D/X
BLH1654A	Alum Tail Drive Shaft Lower BearBlck: B450 3D/X, B400	Aluminiumbefestigung Heckantriebswelle unterer Lagerblock: B450 3D/X, B400	Palier inférieur d'arbre d'anticouple en aluminium, Noir : B450 3D/X, B400	Blocco cuscinetto inferiore albero trasmissione di coda in alluminio: B450 3D/X, B400
BLH1655A	Aluminum Tail Drive Gear Pulley Assy: B450 3D/X, B400	Aluminium-Heckgetriebe- Riemenscheiben-Anordnung: B450 3D/X, B400	Arbre pignon/poulie transmission d'anticouple aluminium B450 3D/X, B400	Asse puleggia ingranaggio di trasmissione di coda in alluminio: B450 3D/X, B400
BLH1657C	Carbon Fiber Tail Boom: B450 3D/X	Karbonfaser-Heckausleger: B450 3D/X	Poutre en carbone : B450 3D/X	Asta di coda in fibra di carbonio: B450 3D/X
BLH1658A	Aluminum Tail Servo Boom Mount: B450 3D/X, B400	Aluminium-Servobefestigung Heckausleger: B450 3D/X, B400	Support de servo d'anticouple en aluminium B450 3D/X, B400	Montante asta del servo di coda in alluminio: B450 3D/X, B400
BLH1661A	Tail Boom Brace/Support Set/Aluminum E: B450 3D/X	Heckauslegerhalterung/Stützset/ Aluminium E: B450 3D/X	Set de renforts et support de poutre en aluminium E : B450 3D/X	Sostegno asta della coda/set sup- porto/alluminio E: B450 3D/X
BLH1662A	Aluminum Horizontal Stab Fin Mount: B450 3D/X	Aluminium-Befestigung horizontale Stabilisierungsflosse: B450 3D/X	Support de dérive et stabilisateur en aluminium : B450 3D/X	Montante deriva stabilizzazione orizzontale in alluminio: B450 3D/X
BLH1663A	Aluminum Tail Case Set: B450 3D/X	Aluminium-Heckabdeckungs-Set: B450 3D/X	Set de boîtier d'anticouple en aluminium B450 3D/X	Set case coda in alluminio: B450 3D/X
BLH1665A	Tail Rotor Shaft Aluminum Drive Pulley: B450 3D/X	Welle und Antriebsscheibe Heckrotor, Aluminium (2): B450 3D/X	Axe d'anticouple et poulie aluminium : B450 3D/X	Puleggia trasmissione in alluminio dell'albero del rotore di coda: B450 3D/X
BLH1667A	Aluminum Tail Rotor Pitch Lever Set: B450 3D/X	Aluminium-Heckrotor-Pitchhebel-Set: B450 3D/X	Lever de pas d'anticouple en aluminium : B450 3D/X	Set leva del pitch del rotore di coda in alluminio: B450 3D/X
BLH1668A	Aluminum Tail Rotor Pitch Control Slider Set: B450 3D/X	Aluminium-Heckrotor- Pitchschieberegler-Set: B450 3D/X	Set de slider d'anticouple en aluminium : B450 3D/X	Set cursore comando passo rotore di coda in alluminio: B450 3D/X
BLH1670A	Aluminum Tail Rotor Blade Grp Set: B450 3D/X	Aluminium-Heckrotorblatt-Set: B450 3D/X	Pieds de pales d'anticouple en aluminium : B450 3D/X	Set stringi pala rotore di coda in alluminio: B450 3D/X
BLH1671B	Tail Rotor Blade Set, Black: B450 3D/X	Heckrotorblatt-Set, schwarz: B450 3D/X	Set de pales d'anticouple, Noir : B450 3D/X	Set pale del rotore di coda, nero: B450 3D/X
BLH1671C	Tail Rotor Blade Set Carbon Fiber: B450 3D/X, B400	Heckrotorblatt-Set, Karbonfaser: B450 3D/X, B400	Set de pales d'anticouple en carbone : B450 3D/X, B400	Set in fibra di carbonio delle pale del rotore di coda: B450 3D/X, B400
BLH1672B	Stab/Fin Set, Black: B450 3D/X	Stabilisator/Flossen-Set, schwarz: B450 3D/X	Set de stabilisateur/dérive, Noir : B450 3D/X	Set stab/der, nero: B450 3D/X
BLH1672C	Stab/Fin Set, Carbon Fiber: B450 3D/X	Stabilisator/Flossen-Set, Karbonfaser: B450 3D/X	Set de stabilisateur/dérive en carbone : B450 3D/X	Set stab/der, fibra di carbonio: B450 3D/X
BLH1676A	Aluminum Servo Control Arms: B450 3D/X, B400	Aluminium-Servosteuerarme: B450 3D/X, B400	Bras de servos en aluminium : B450 3D/X, B400	Bracci comandi servo in alluminio: B450 3D/X, B400
BLH1679A	Aluminum Canopy Mounts: B450 3D/X	Aluminium-Canopy- Befestigungselemente: B450 3D/X	Supports de bulle en aluminium : B450 3D/X	Montanti calottina in alluminio: B450 3D/X
BLH1690A	Swash Leveling Tool: B450 3D/X, B400	Taumelscheibe-Nivellierungswerkzeug B450 3D/X, B400	Outil de réglage de plateau cyclique B450 3D/X, B400	Strumento di livellamento del piatto ciclico: B450 3D/X, B400

Part #	English	Deutsch	Français	Italiano
BLH4399	Aluminum 450 Flybarless Conversion Set: B450 3D	Aluminium-450 Flybarless-Umrüstungs-Set: B450 3D	Set de conversion 450 Flybarless en aluminium : B450 3D	Set conversione senza flybar 450 in alluminio: B450 3D
BLH1671OR	Tail Rotor Blade Set, Orange: B450 3D/X, B400	Heckrotorblatt-Set, orange: B450 3D/X, B400	Set de pales d'anticouple, Orange : B450 3D/X, B400	Set pale del rotore di coda, arancione: B450 3D/X, B400
BLH1671YE	Tail Rotor Blade Set, Yellow: B450 3D/X, B400	Heckrotorblatt-Set, gelb: B450 3D/X, B400	Set de pales d'anticouple, Jaune : B450 3D/X, B400	Set pale del rotore di coda, giallo: B450 3D/X, B400
BLH1671GR	Tail Rotor Blade Set, Green: B450 3D/X, B400	Heckrotorblatt-Set, grün: B450 3D/X, B400	Set de pales d'anticouple, Vert : B450 3D/X, B400	Set pale del rotore di coda, verde: B450 3D/X, B400
BLH1699	450 Carrying Case	450 Tragekoffer	Coffret de transport 450	Valigetta per il trasporto 450
BLH4006	Optional Fiberglass Canopy: 330X	Optionales Glasfaser-Kabinendach: 330X	Verrière en fibre de verre en option : 330X	Tettuccio di vetroresina opzionale: 330X



©2019 Horizon Hobby, LLC.

Blade, the Blade logo, SAFE, The SAFE logo, DSM2, DSMX, BNF, the BNF logo, and the Horizon Hobby logo are trademarks or registered trademarks of Horizon Hobby, LLC.

The Spektrum trademark is used with permission of Bachmann Industries, Inc.
All other trademarks, service marks or logos are property of their respective owners.

US 9,930,567. US 8,672,726. D774,933. Other patents pending.

Created 08/19

60330

BLH5900, BLH5950