

INSTRUCTION MANUAL
AX90026-1001

YETI™

READY-TO-RUN **ROCK RACER**

1/10th SCALE ELECTRIC 4WD • BRUSHLESS • WATERPROOF

ROCK RACER SERIES



 **axial**®

www.axialracing.com

CAUTIONS



To prevent serious personal injury and/or property damage, operate all remotely controlled models in a responsible manner as outlined herein.

CHOOSE THE RIGHT PLACE TO OPERATE YOUR R/C MODEL.

- Do not run on public streets or highways. This could cause serious accidents, personal injuries, and/or property damage.
- Never run R/C models near people or animals.
- To avoid injury, do not run in confined spaces.
- Do not run where loud noises can disturb others, such as hospitals and residential areas.
- Never run indoors. There is a high risk of fire and/or damage.

INSPECT YOUR MODEL BEFORE OPERATION.

- Make sure that all screws and nuts are properly tightened. It is also a good idea to use removable thread lock wherever metal screws go into metal, especially for engine mounts and the engine pilot shaft.
- Always use fresh batteries for your transmitter and for your receiver to avoid losing control of the model.
- Always test the brakes and throttle before starting your engine to avoid losing control of the model.

AFTER OPERATION OF YOUR R/C MODEL

- Turn off receiver first, then turn off transmitter, this will prevent runaways.
- Be careful when handling batteries, they will be hot after running.
- Replace any batteries that have been dented or have frayed wires, short circuits can cause fire.
- Be sure to keep your R/C model clean and free of excess dirt and grease, this will increase the life.

VORSICHT!



Um Verletzungen an Personen und/oder Sachschäden zu vermeiden, sollten alle ferngesteuerten Modelle sorgfältig und verantwortungsbewusst bedient werden, wie nachfolgend beschrieben.

Wählen Sie den richtigen Platz zum Fahren

- Fahren Sie niemals auf öffentlichen Straßen. Dies könnte Verkehrsunfälle, Personen schäden oder Sachschäden verursachen.
- Fahren Sie niemals in der Nähe von anderen Personen oder Tieren.
- Fahren Sie niemals auf belebten Straßen.
- Fahren Sie nie in der Nähe von Wohnhäusern oder Krankenhäusern. Der Lärm könnte andere Personen stören.
- Fahren Sie niemals in Innenräumen. Dort könnte etwas beschädigt werden.

Überprüfen Sie Ihr Modell, bevor Sie es in Betrieb nehmen.

- Gehen Sie sicher, dass alle Schrauben und Muttern festgezogen sind. Verwenden Sie überall dort Schrauben-Sicherungslack, wo Metallschrauben in ein Metallgewinde greifen, besonders bei den Motorhaltern.
- Um Störungen zu vermeiden, benutzen Sie immer voll geladene Akkus in Ihrem Sender und Empfänger.
- Bevor Sie den Motor starten, sollten Sie immer die Funktion der Bremse und des Gashebels testen.

Nach Betrieb des RC Modells:

- Zuerst den Empfänger abdrehen, dann den Sender abdrehen um unkontrolliertes Durchgehen zu vermeiden.
- Seien Sie vorsichtig mit gebrauchten Akkus, sie können nach dem Gebrauch heiß sein.
- Ersetzen Sie Akkus/Batterien die beschädigt sind oder schadhafte Kabel aufweisen, sie können Kurzschlüsse oder Feuer verursachen.
- Halten Sie Ihr Fahrzeug sauber und entfernen Sie Schmutz und Schmierfett, damit erhöhen Sie die Lebensdauer Ihres Modells.

PRECAUTIONS



Afin d'éviter toutes blessures corporelles et/ou dommages environnants, veuillez procéder en toute responsabilité comme indiqué ci-dessous

Choisir le lieu adéquat pour faire rouler votre modèle.

- Ne jamais rouler dans les rues ou sur les routes ouvertes au public. Ceci peut provoquer de graves accidents.
- Ne jamais rouler près de personnes ou d'animaux.
- Pour éviter les blessures, ne pas rouler dans des espaces confinés.
- Ne jamais rouler où le bruit peut déranger, comme aux abords des hôpitaux ou des quartiers résidentiels.
- Ne jamais rouler à l'intérieur: les gaz d'échappement sont nocifs.

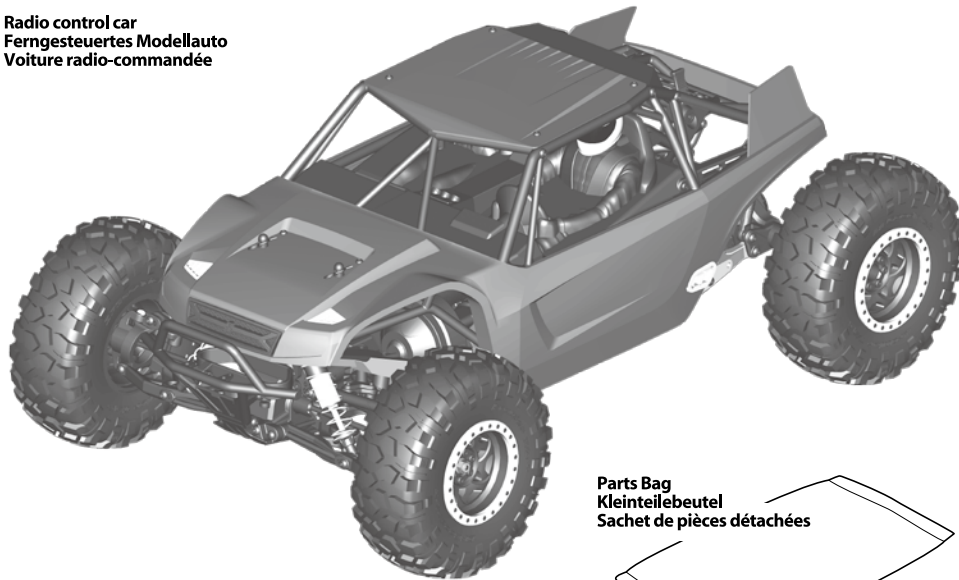
Controler votre modèle avant chaque utilisation.

- Vérifier que les vis et les écrous sont bien serrés. Il est très fortement conseillé d'utiliser du frein filet pour bloquer les vis qui sont en contact avec du métal et tout particulièrement les vis du moteur.
- Toujours utiliser des batteries bien chargées pour l'émission et la réception.
- Toujours vérifier les freins et la commande des gaz avant de démarrer.

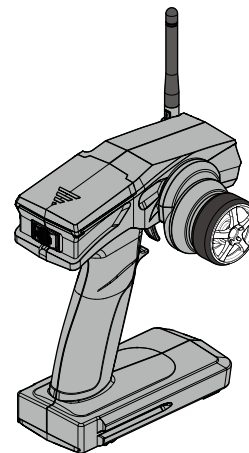
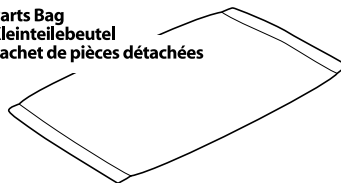
Après l'Opération De Votre Modèle de R/C

- Le virage du récepteur premier, alors virage de l'émetteur, ceci empêchera des fugitifs.
- Faire attention en contrôlant des piles, ils auront chaud après avoir couru.
- Remplacer n'importe quelles piles qui ont été cabossées ou a éraillé des fils, les court-circuits peuvent causer le feu.
- Etre sûr de garder votre modèle de R/C nettoie et libère de terre et la graisse supplémentaires, ceci augmentera la vie.

Radio control car
Ferngesteuertes Modellauto
Voiture radio-commandée

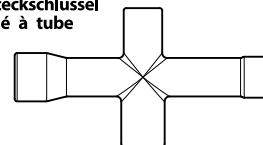


Parts Bag
Kleinteilebeutel
Sachet de pièces détachées

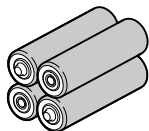


2.4GHz
Transmitter
Sender
Emetteur

Cross wrench
Steckschlüssel
Clé à tube



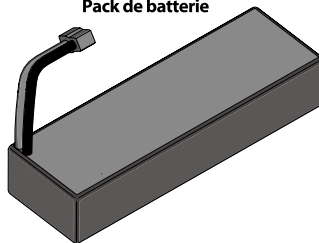
Equipment needed / Benötigtes Zubehör / Equipement nécessaire



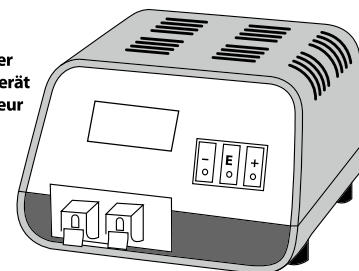
x4

4 AA Alkaline Dry Batteries.
4 St. AA Trockenbatterien.
4 piles type R6 pour votre
radio commande.

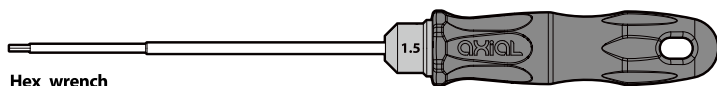
Battery
Akku-Pack
Pack de batterie



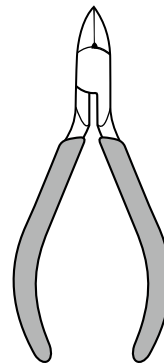
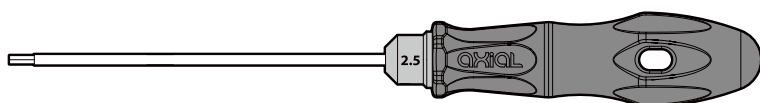
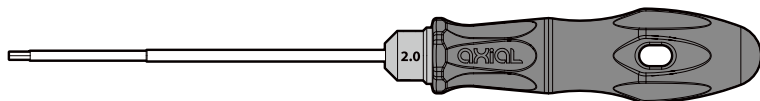
Charger
Ladegerät
Chargeur



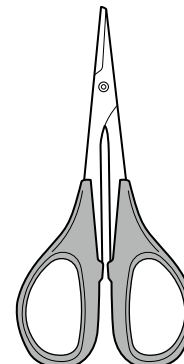
Tools Recommended / Benötigte Werkzeuge / Outillage



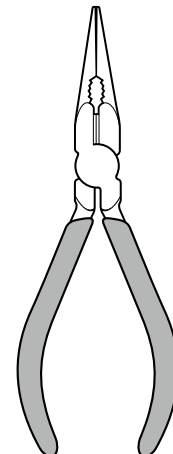
Hex wrench
Inbusschlüssel
Clé Allen



Side cutter
Seitenschneider
Pincès coupantes

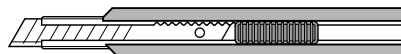


Curved scissors
Schere
Ciseaux

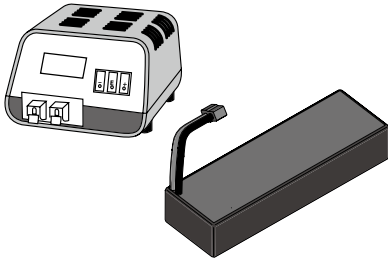


Long nose pliers
Flachzange
Pincès à becs longs

Modeling knife
Modelliermesser
Couteau de modéliste



Charge your battery / Laden des Fahrakkus / Chargement de la batterie



Follow the manufacturer's directions for the charger you purchased to properly charge your batteries.

Folgen Sie den Herstelleranweisungen für den Auflader Ihres gekauften ordentlich, Ihre Batterien zu laden.

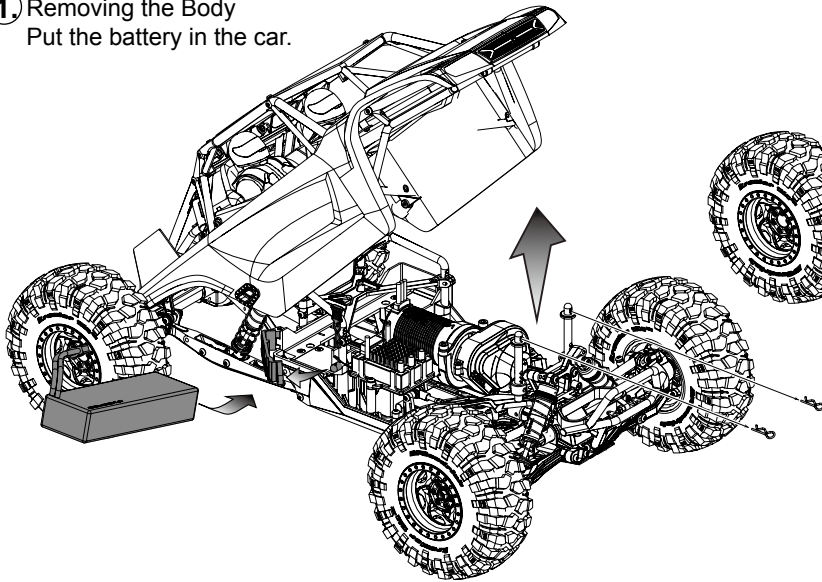
Suivre les directions de fabricant pour le chargeur votre a acheté convenablement pour charger vos piles.

Do not use a Nickel Cadmium or Nickel Metal Hydride battery charger to charge LiPo batteries. Damage to the batteries and charger will likely occur resulting in a fire.

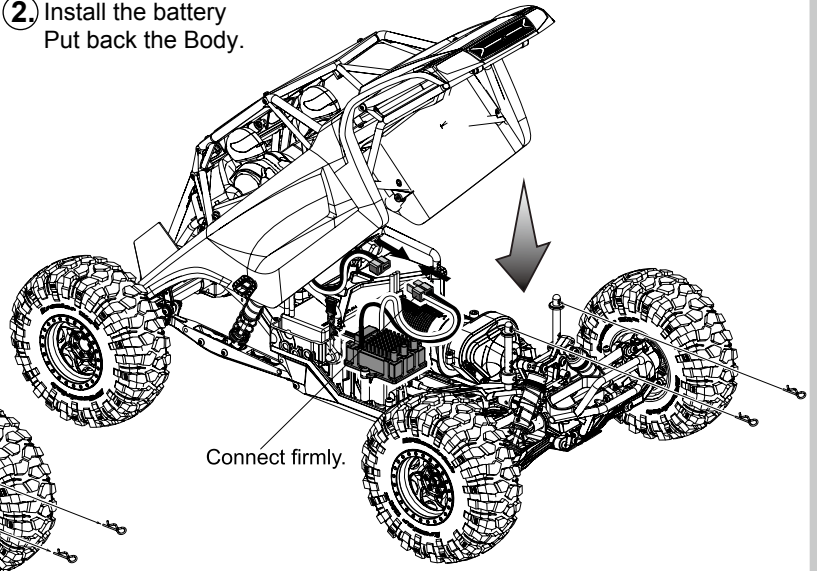
Verwenden Sie keine Nickel-Cadmium-oder Nickel-Metall-Hydrid-Akku Ladegerät LiPo-Akkus aufladen. Schäden an den Batterien und Ladegerät wird wahrscheinlich auftreten, was zu einem Brand.

Ne pas utiliser un chargeur de batterie au nickel-cadmium ou nickel-métal-hydrure pour recharger les batteries LiPo. Les dommages aux batteries et le chargeur se produira probablement de provoquer un incendie.

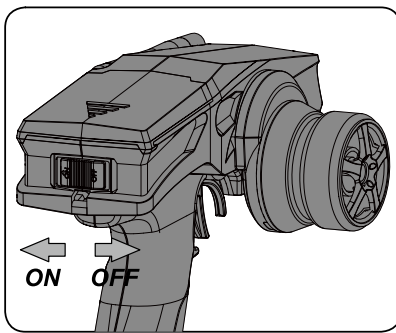
1. Removing the Body
Put the battery in the car.



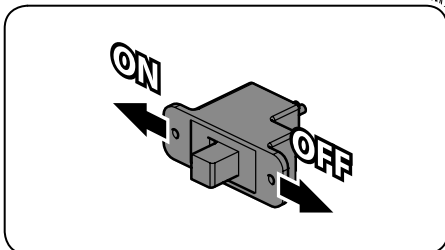
2. Install the battery
Put back the Body.



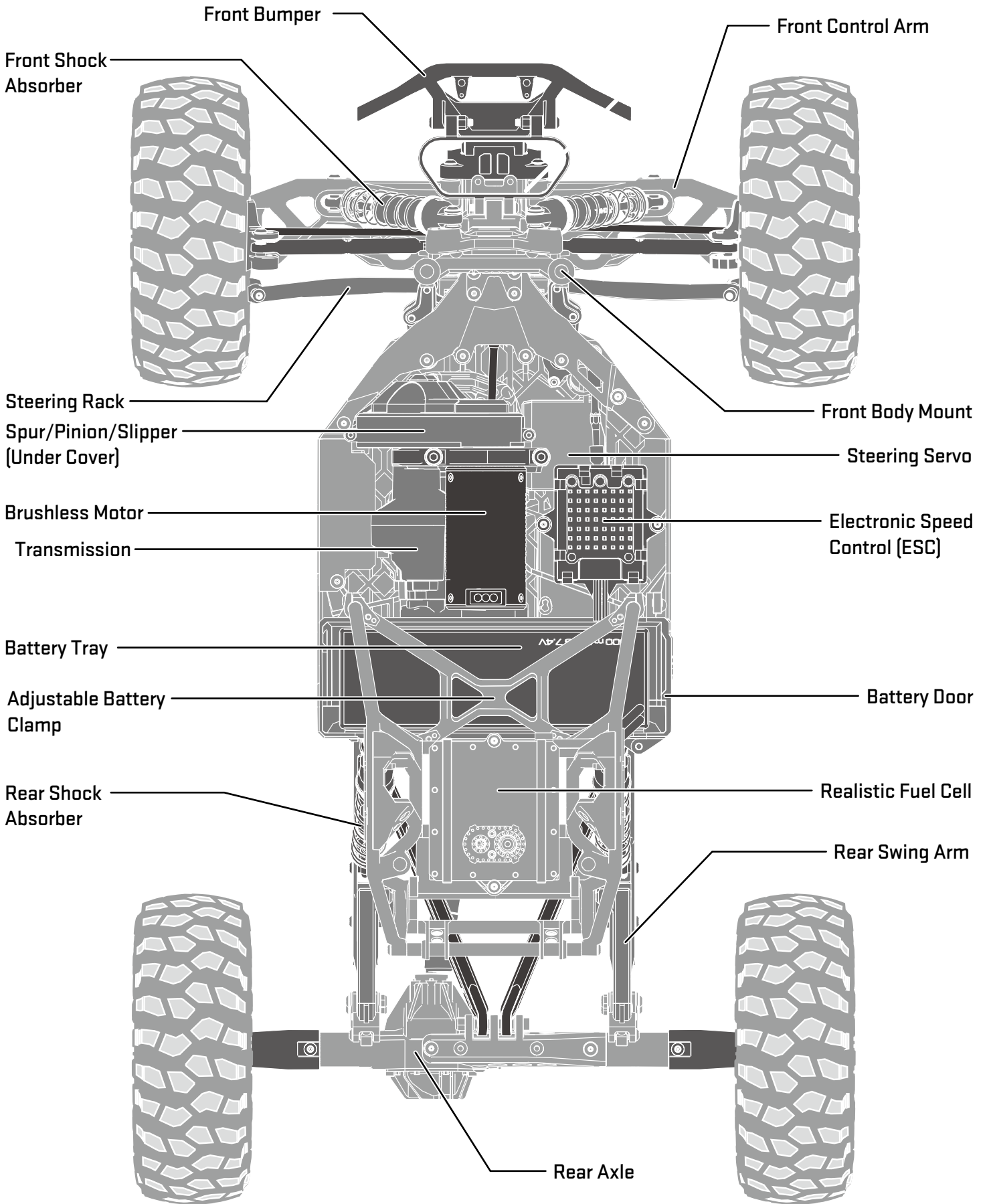
3. Turn on the transmitter.



4. Turn on the electronic speed controller.

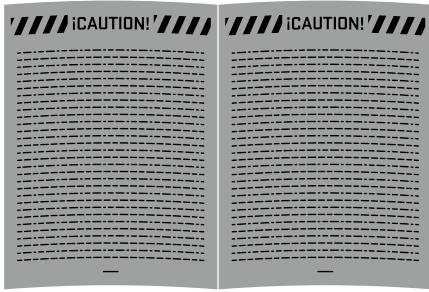


Top View Parts

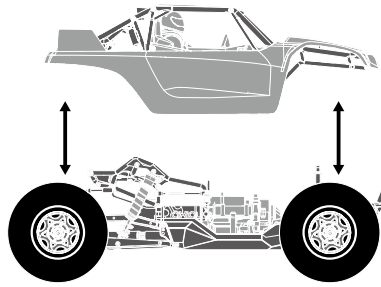


Getting-Started Checklist

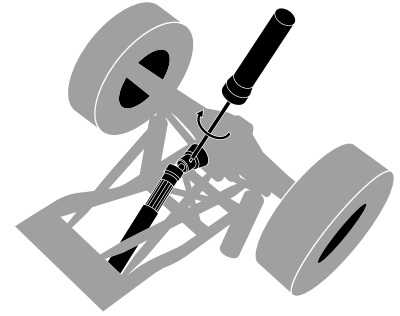
The following checklist is a guide for getting you vehicle running for the first time.



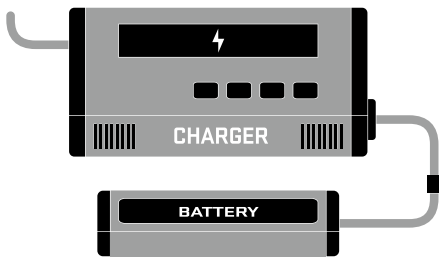
Read 'Cautions' in Manual. (Page 2)



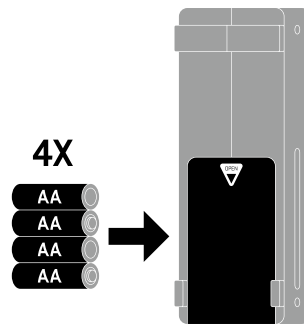
Familiarize yourself with vehicle and its components.



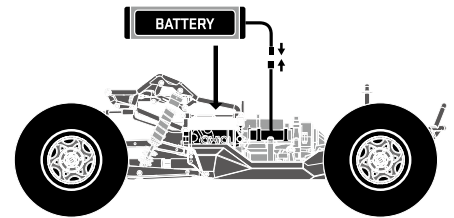
Even though the vehicle is new check driveshaft setscrews and other screws to make sure they are tight from the factory.



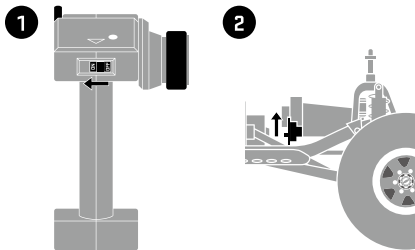
Charge battery pack. (Page 4)



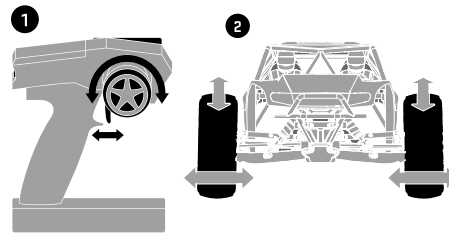
Install 4X AA batteries into Transmitter. (Page 7)



Install battery pack in vehicle. (Page 4)



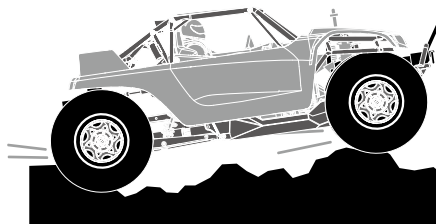
Turn on transmitter FIRST then ESC. (Page 4)



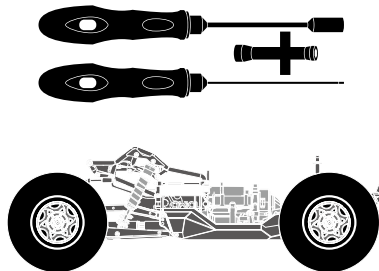
Check to make sure steering and throttle operation work correctly. (Page 7)



Range check radio system. (Next Page)



Drive vehicle, challenge yourself and have fun!



Maintain vehicle. (Next Page)

Range-Checking Your Radio System

The radio system should be checked before operating the vehicle to ensure it's operating properly and has adequate range.



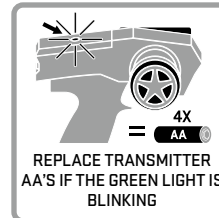
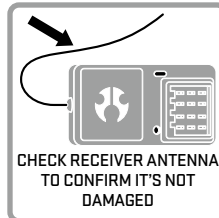
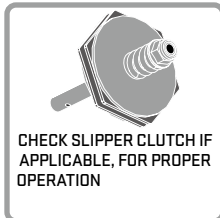
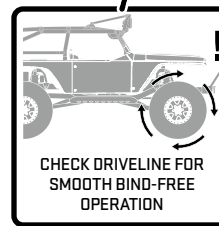
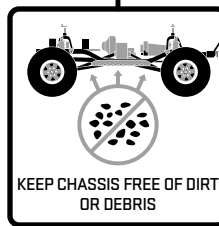
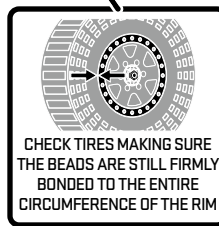
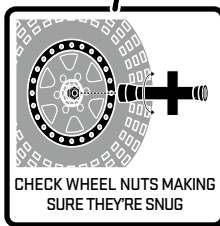
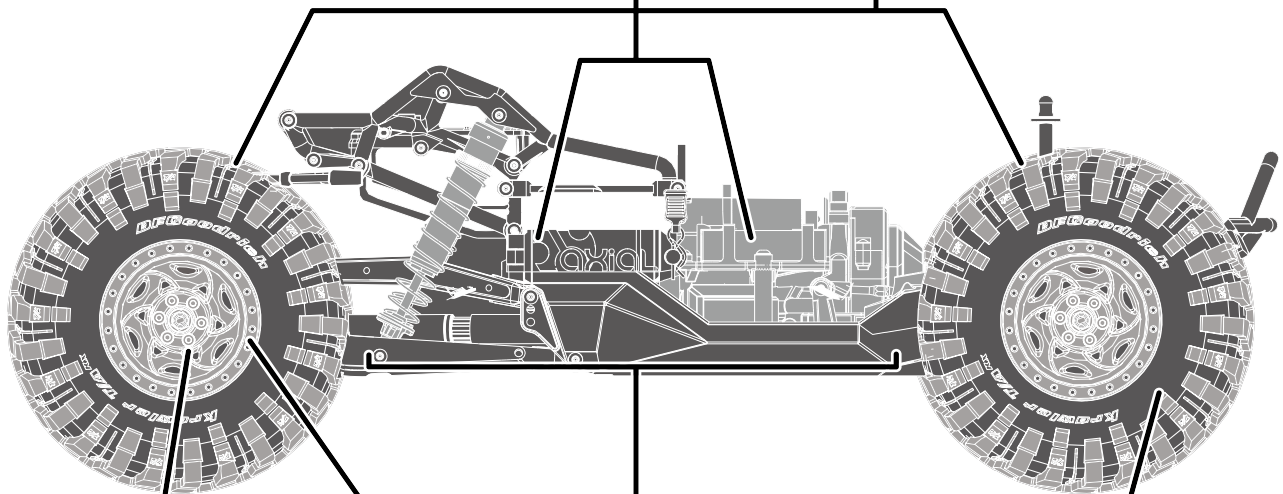
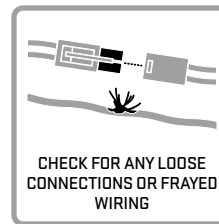
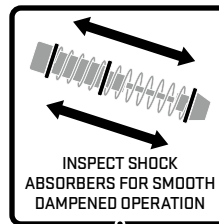
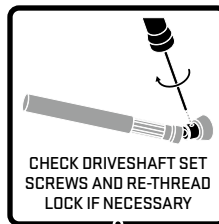
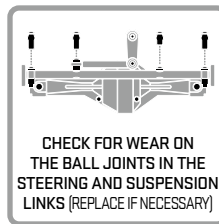
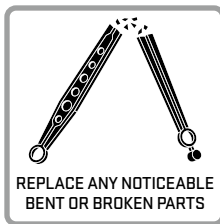
1. Turn on the transmitter first and then the vehicle.
2. Have a friend hold the vehicle while keeping hands and loose clothing away from moving parts.
3. Walk away until you are at the farthest distance you plan to operate the vehicle.
4. Steer the vehicle back and forth and throttle both forward and reverse making sure there is no erratic behavior.
5. If any erratic behavior is exhibited do not operate the vehicle, call customer service for further assistance.



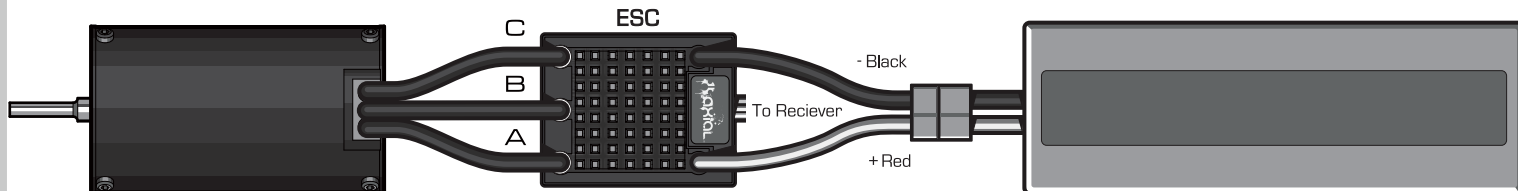
RANGE-CHECKING FOR DISTANCE

Maintaining Your Vehicle

Just like a full size car or truck your RC vehicle must undergo periodic maintenance in order to ensure peak running performance. Preventative maintenance will also help avoid needless breakages which could result in costly repairs. Below are some suggestions to properly maintain your vehicle.



AE-3 Vanguard Forward/Reverse Brushless ESC Instruction



Recommended motor: AX31047

Brushless ESC and Motor Setup:

- Mount the ESC in an area that is well ventilated and isolated from vibration and shock.
- Connect the ESC wires to the motor: Generally A to A, B to B, and C to C.
- Plug the receiver wire into the throttle channel on the receiver.
- Before plugging the battery into the ESC, make sure your transmitter is on and the throttle trim is set to zero.
- Plug in the battery to the ESC with the ESC switch in the OFF position.
- Apply full throttle on the transmitter.
- Turn on the ESC switch while applying full throttle.
- The ESC will emit a series of beeps with the red LED.
- Continue applying full throttle until the ESC blinks green and emits a series of beeps.
- Once the ESC blinks red, apply full brake (reverse) on the transmitter.
- The ESC will emit a series of beeps while blinking red to finalize the brake/reverse endpoint.
- Return the throttle to the neutral position and the ESC will emit a series of beeps to finalize the neutral point.
- The ESC will emit a final series of beeps confirming the ESC is ready to operate.
- Apply throttle to make sure the motor is going the direction you wanted.
- To reverse the direction of the motor, switch two of the wires going to the motor.

Notes:

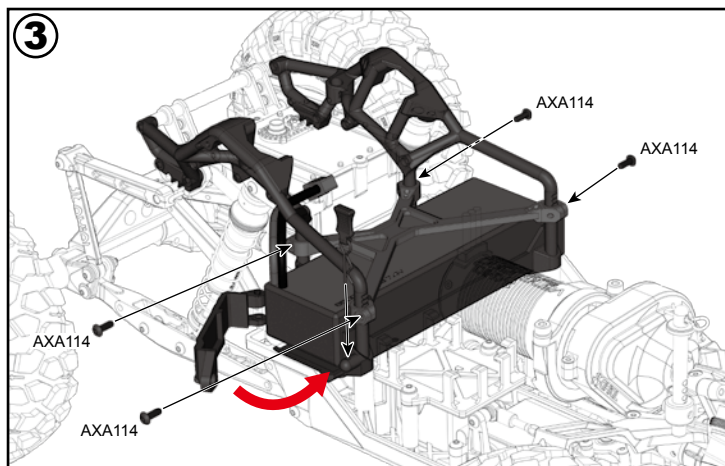
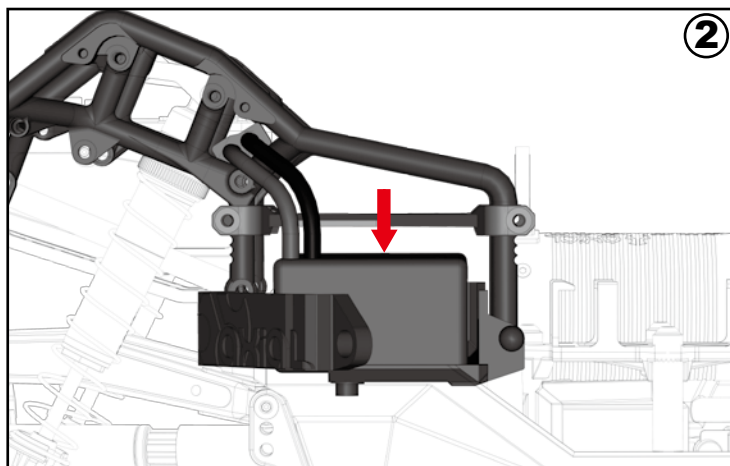
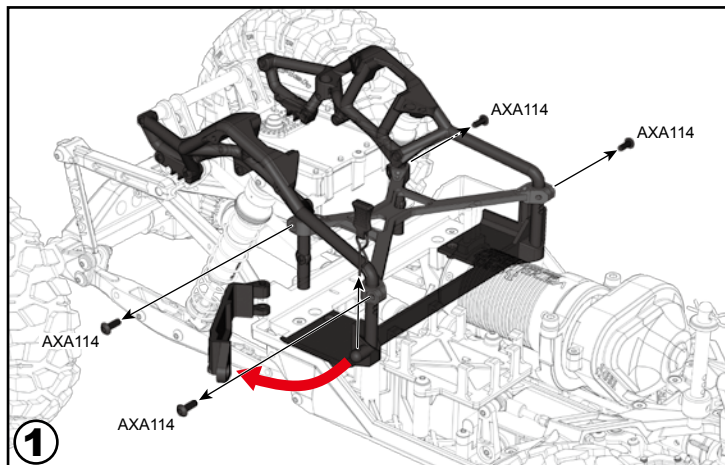
- If the ESC setup does not initialize when holding the full throttle, try switching the throttle reversing switch on the transmitter.
- LiPo Cut-Off is set to "ON" from the factory
- Use the CastleLink (Optional, not included) to access the advanced settings available in the ESC.
- Visit <http://www.castlecreations.com/> for more information on the CastleLink USB Programming Kit.

Specifications:	
Input voltage:	3S Lipo/8 NiCELL
Size:	1.95inx1.51in
Weight:	62.3grams
On-Resistance FET:	.00055 Ohms (per phase)
BEC Voltage/A:	5.0V 2.0A Peak
PWM Frequency:	12 KHZ

CAUTION **CONNECT THE BATTERY PACK JUST BEFORE DRIVING AND DISCONNECT IT IMMEDIATELY AFTER. ALWAYS MAKE SURE YOU ARE CONNECTING THE ESC TO A PROPER POWER SOURCE THAT HAS THE CORRECT VOLTAGE & POLARITY. INCORRECT VOLTAGES OR REVERSED POLARITY WILL DAMAGE THE ESC. ONCE THE BATTERY PACK IS CONNECTED, HANDLE THE MODEL WITH EXTREME CARE, MAKE SURE YOU ARE CLEAR OF ALL ROTATING PARTS.**

Battery Tray Access and Setup

1. Remove clip to open battery access door
2. Slide battery in to check height
3. Remove X4 M3x8mm AXA114 Screw
4. Drop battery clamp down to required battery height. Snug fit required
5. Reinstall X4 M3x8mm AXA114 Screws



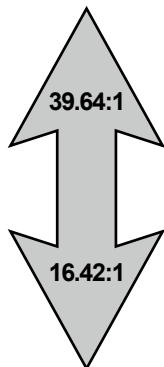
Gear Ratio / Getriebeübersetzung

Use this equation to calculate the final drive ratio.
Final Drive Gear Ratio = (Spur/Pinion)x5.67

Mit dieser Gleichung können Sie die Gesamtübersetzung berechnen.

Gesamtübersetzung = (Spur/Pinion)x5.67

Slower - More Torque
Langsamer - Mehr Kraft



Faster - Less Torque
Schneller - Weniger Kraft

32 Pitch 38T/13T (Stock Gearing AX30392 or HD AX30395)

Pinion	Spur Gear			
	56	60	64	68
11	28.85	30.91	32.97	35.03
12	26.44	28.33	30.22	32.11
13	24.41	26.15	27.90	29.64
14	22.67	24.88	25.90	27.52
15	21.15	22.67	24.18	25.69
16	19.83	21.25	22.67	24.08
17	18.67	20.00	21.33	22.67

32 Pitch 36T/14T (Overdrive HD Gearing AX30401)

Pinion	Spur Gear			
	56	60	64	68
11	25.38	27.19	29.00	30.81
12	23.26	24.92	26.58	28.25
13	21.47	23.01	24.54	26.07
14	19.94	21.36	21.94	22.60
15	19.61	19.94	21.27	22.60
16	17.45	18.69	19.94	21.18
17	16.42	17.59	18.77	19.94

32 Pitch 43T/13T (Underdrive HD Gearing AX30402)

Pinion	Spur Gear			
	56	60	64	68
11	32.64	34.97	37.31	39.64
12	29.92	32.06	34.20	36.33
13	27.62	29.59	31.57	33.54
14	25.65	27.48	29.31	31.14
15	23.94	25.65	27.36	29.07
16	22.44	24.04	25.65	27.25
17	21.12	22.63	24.14	25.65

Warranty Info

AXIAL LIMITED WARRANTY

Your Axial product is warranted to be free of defects in materials and workmanship when new in the factory sealed box. This warranty does not cover damages due to normal wear and tear, users' failure to perform routine maintenance, error of assembly or installation, modifications or addition of aftermarket parts or option parts. This warranty lasts as long as the original purchaser owns the product and is not transferable (verified by dated itemized sales receipt accompanied with product). In the event of a defect under this warranty, Axial will, at our discretion, repair or replace the product, provided our inspection indicates that an original defect exists. Axial provides a 10-day warranty from the date of purchase on electronics (i.e. servo, esc, radio). Axial reserves the right to replace any product which is no longer available with a product of comparable value and function. If Axial determines the repair is not covered under warranty guidelines, there could be a charge applied for the repair and return shipping charges. Note: Purchasing products from unauthorized distributors may void warranty and prevent support and service.

INTERNATIONAL CUSTOMER WARRANTY

Please return product to the dealer where the purchase was made. If your Axial product purchase was made through an on-line retailer, any warranty issues must be taken care of by that retailer. Axial assumes no responsibility for Axial products sold internationally by on-line retailers.

REPAIR

For warranty repair, please contact Axial Customer Service at (877) 64-AXIAL (877-642-9425).

HOURS AVAILABLE:

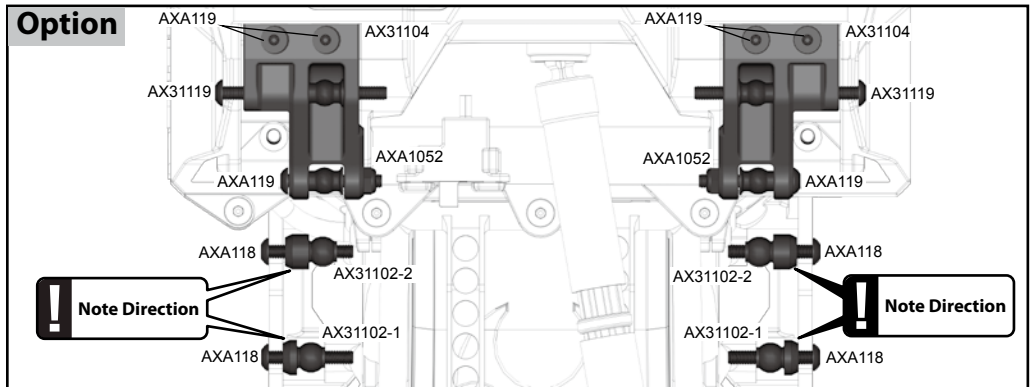
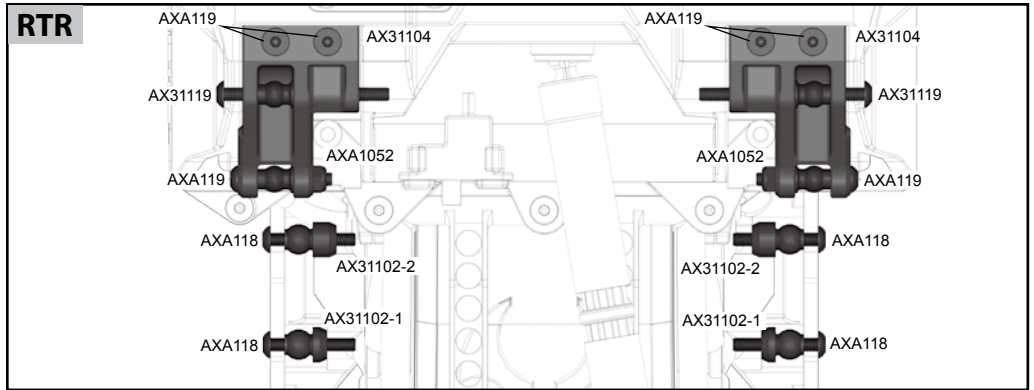
8:00 am - 5:00 pm Monday through Friday, Central Time.

Rear Suspension Tuning Upper Link Adjustments

- AX31104 Mounts can be installed on either side of the AX31103 Chassis Tub

- Swapping the AX31104 mounts will provide a suspension more suited to low speed technical terrain. This also requires flipping the upper shock bushings. The RTR stock setup is more suited for high speed stability.

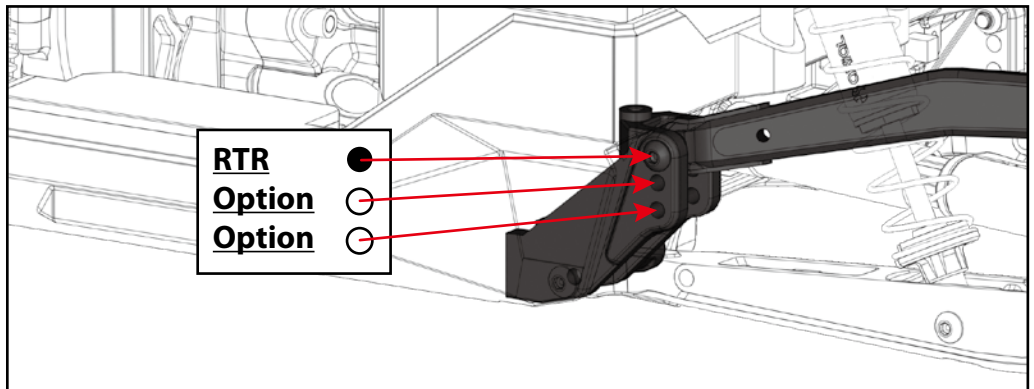
- Upper Shock bushings rotated to relocate shocks and line up with AX31109 Lower Links.



- Moving the upper links at the chassis will change the anti-squat characteristics of the Yeti under power.

- RTR Stock: Upper hole, more Anti-Squat for more rear traction under power.

- Optional lower holes, less Anti-Squat for less rear traction under power.

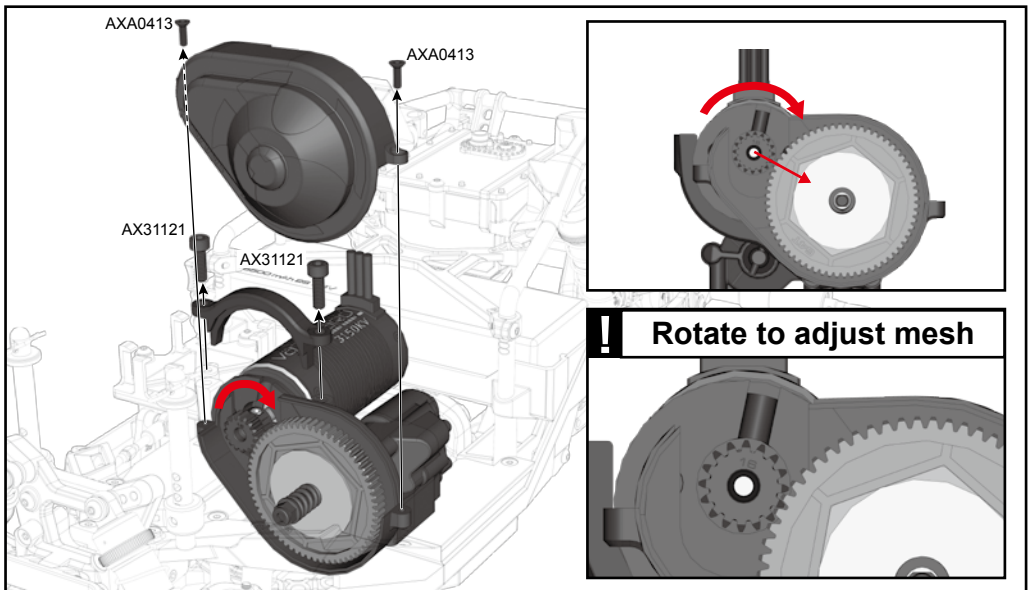


Gear Mesh Adjustment

- Remove X2 M2.6x8mm AXA0413 Flatheads from AX31107 Spur Cover to gain access to spur and pinion

- Loosen X2 M4x12mm AX31121 Capheads from AX31106 Motor Mount Clamp

- Rotate the motor and motor mount assembly to fine tune gear mesh



Problem
Problem
Problème

Cause
Grund
Cause

Remedy
Lösung
Remède

Does not move
Das Auto fährt nicht
Le véhicule ne bouge pas

Batteries are not installed properly in the transmitter.
Die Batterien sitzen nicht korrekt im Sender.
Les piles ne sont pas placées correctement dans l'émetteur.

Make sure batteries are properly installed.
Legen Sie die Batterien korrekt ein.
Positionnez correctement les piles dans l'émetteur.

Weak or no battery in model.
Leerer oder kein Akku im Auto.
Batterie faible ou non installée

Install charged battery.
Einbauen eines geladenen Akkus.
Mettez en place une batterie chargée

Damaged motor.
Kaputter Motor.
Moteur endommagé

Replace with new motor.
Austausch durch einen neuen Motor.
Remplacez par un nouveau moteur

Frayed or broken wiring.
Beschädigte Verkabelung.
Câble dénudé ou coupe

Splice and insulate wiring completely.
Erneuern und isolieren Sie die kaputte Stelle.
Faites une épissure et isolez complètement le câble.

ESC is shut down by heat protection circuit.
Notabschaltung des Reglers wegen Überhitzung.
Le système ESC est fermé par le circuit de protection thermique.

Stop driving immediately, do not drive the car until the Speed Controller cools down.
Fahren Sie nicht weiter. Warten Sie bis der Fahrten regler abgekühlt ist.
Arrêtez immédiatement de conduire, ne pilotez pas la voiture tant que le contrôleur de vitesse n'a pas refroidi.

No Control.
Keine Kontrolle über das Auto
Pas de contrôle

Improper antenna on transmitter or model.
Zu kurze Antenne am Sender oder Auto.
Antenne inadéquate sur l'émetteur ou le véhicule

Install charged or fresh batteries.
Einbauen voller Batterien.
Mettez des batteries rechargées ou neuves.

Weak or no batteries in transmitter or model.
Leere oder keine Batterien im Sender oder Auto.
Batterie faible ou absente dans l'émetteur ou le véhicule.

Fully extend antenna.
Ziehen Sie die Antenne vollständig aus.
Dépliez complètement l'antenne.

Neutral position or trim is incorrect.
Neutralposition oder Trimmung sind verstellt.
La position neutre est incorrecte ou le trim n'est pas réglé.

Adjust the steering trim.
Stellen Sie die Lenkungstrimmung neu ein.
Réglez le trim de direction.

Are the receiver and battery connections properly connected?
Sind der Empfänger und die Batterieverbindungen ordentlich verbunden?
Son conectadas apropiadamente las conexiones del receptor y la batería?

Check receiver and battery connections.
Prüfen Sie Empfänger und Batterieverbindungen.
Compruebe conexiones de batería y receptor.

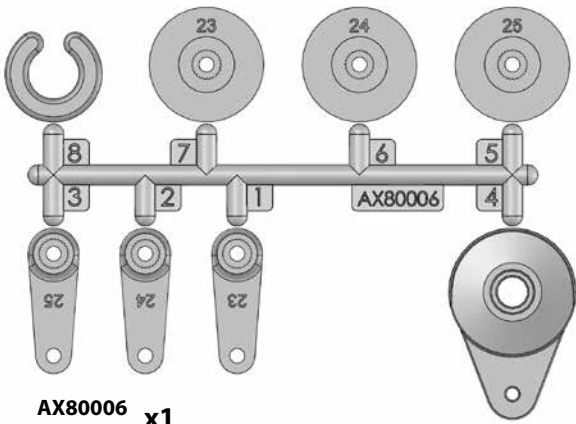
Steering and Throttle Function Reversed.
Lenkung und Gas funktionieren genau verkehrt herum.
Direction et accélération inverses.

Servo reverse switch is in wrong position.
Servorichtungs-Schalter ist in der falschen Position.
L'interrupteur de marche arrière du servo est dans la mauvaise position

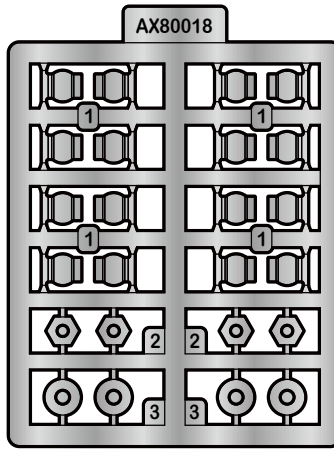
Set to correct position.
Satz, Position zu korrigieren
Vérifiez la position correcte

Please check that the wires from ESC to motor are connected properly.
Bitte überprüfen Sie, ob die Kabel vom Regler zum Motor richtig sitzen.
Veuillez vérifier que les fils allant de l'ESC au moteur sont correctement raccordés.

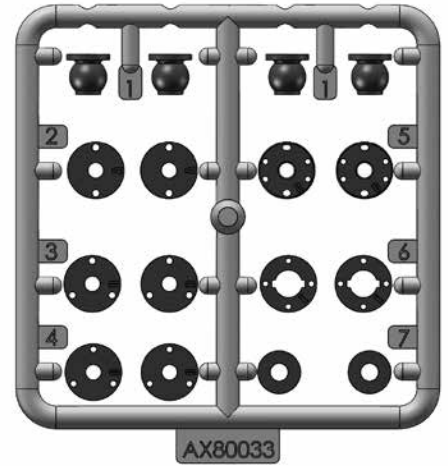
Check to make sure motor and ESC are properly connected.
Kontrolle sich zu vergewissern, dass Motor und ESC ordentlich verbunden sind.
Le contrôle pour assurer que le moteur et ESC est convenablement connecté.



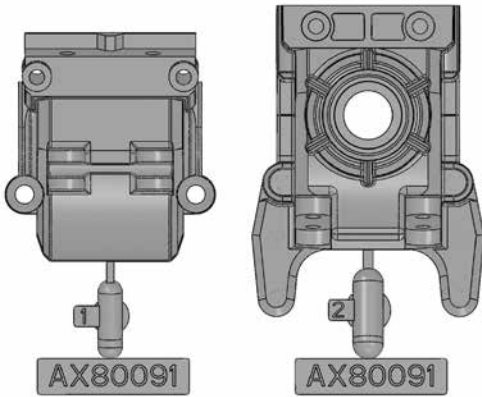
AX80006
Servo Set **x1**



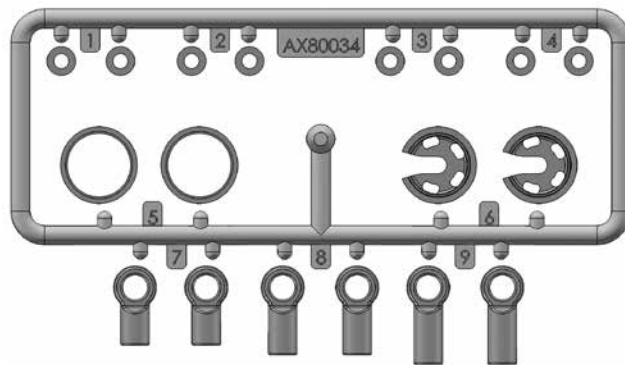
AX80018
Hardware Parts Tree **x2**



AX80033
10m Shock Parts Tree 1 **x2**



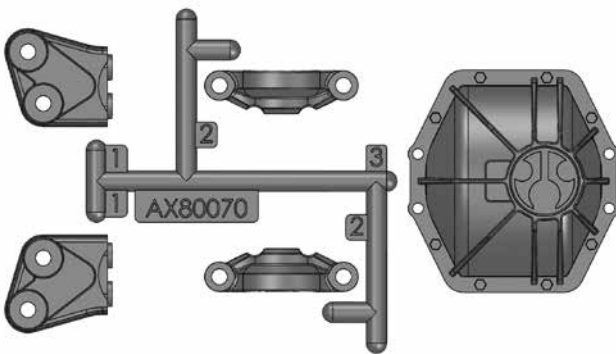
AX80091
EXO Bulkhead **x1**



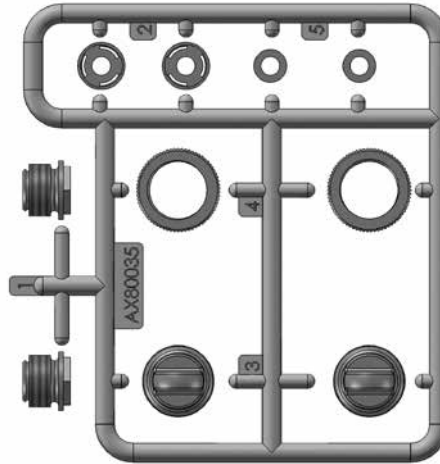
AX80034
10mm Shock Parts Tree 2 **x2**



AX80071
AR60 OCP Straight Axle Adapter **x1**



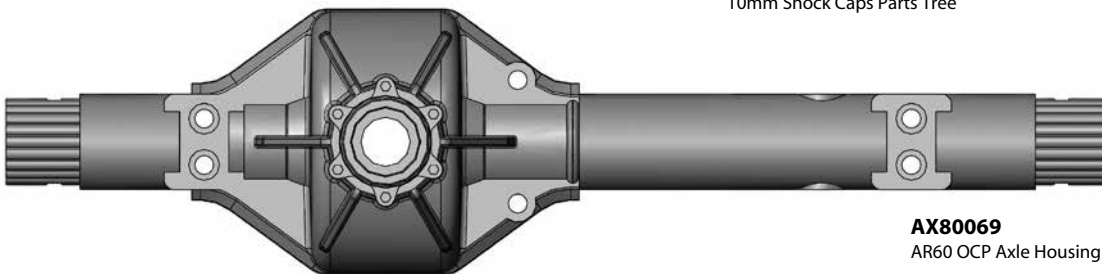
AX80070
AR60 OCP Differential Cover **x1**



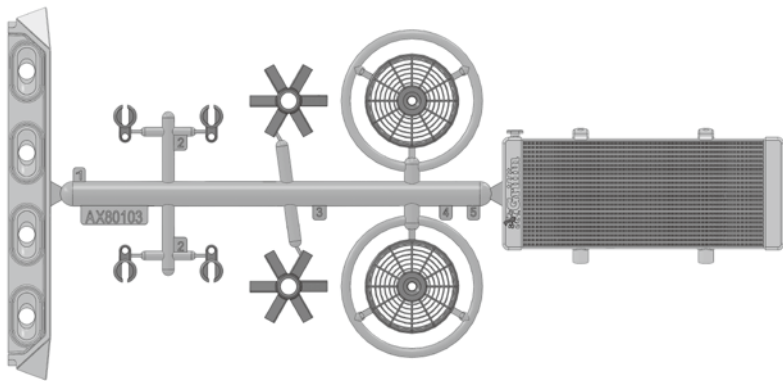
AX80035
10mm Shock Caps Parts Tree **x2**



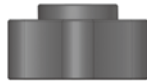
AX80072
AR60 OCP 4-Link Mount **x1**



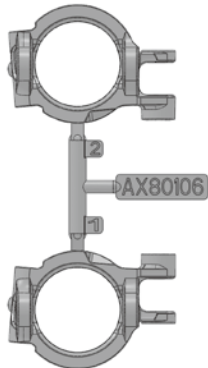
AX80069
AR60 OCP Axle Housing **x1**



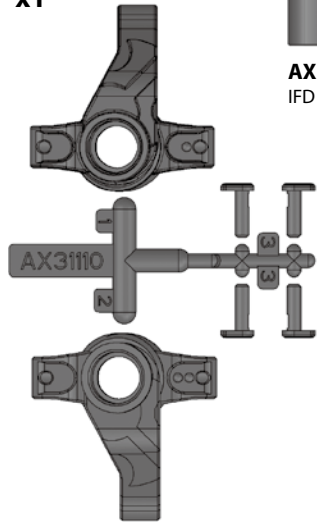
AX80103
EXO Rear Light Bezel and Radiator Set **x1**



AX31266
IFD Hex Hub Adapter



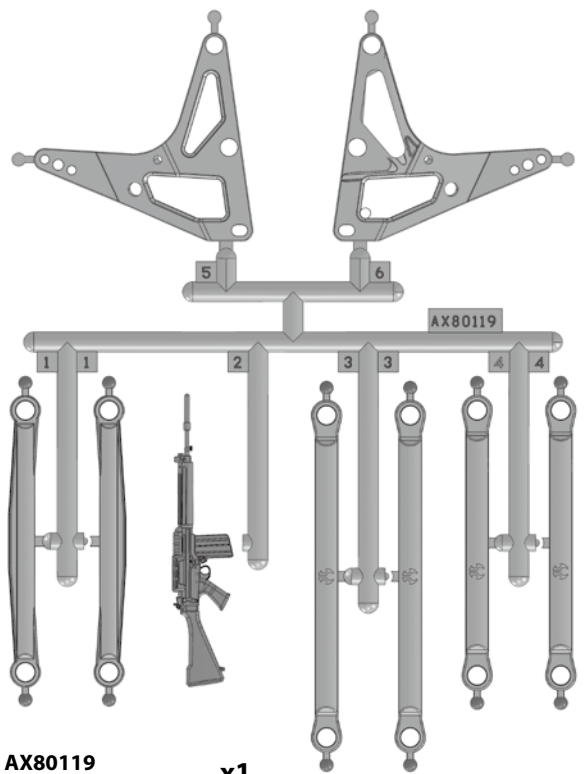
AX80106
EXO Steering Knuckle Carrier Set **x1**



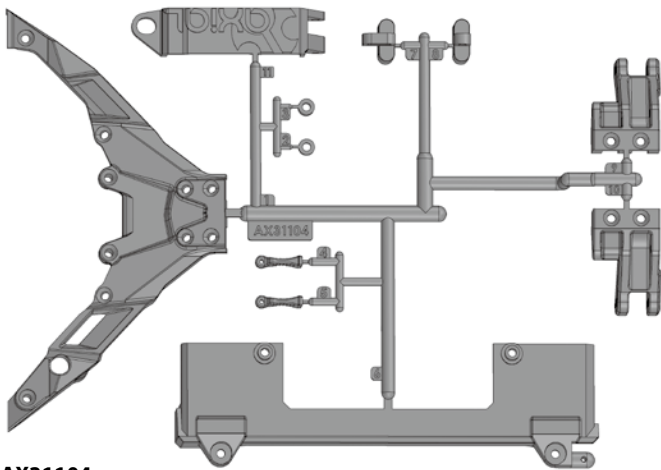
AX31110
Yeti™ Steering Knuckle Set **x1**



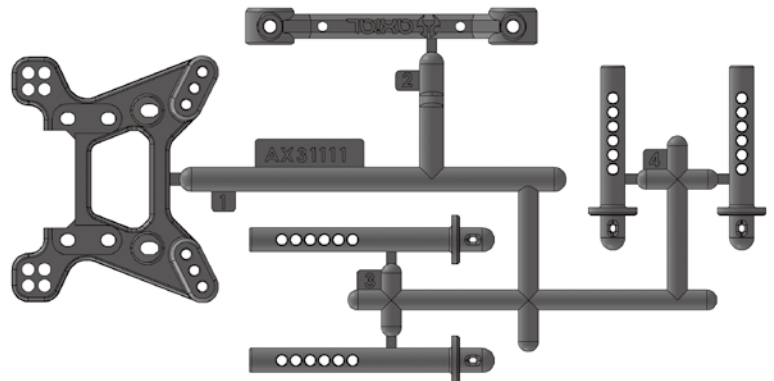
AX31266
IFD Hex Hub Adapter



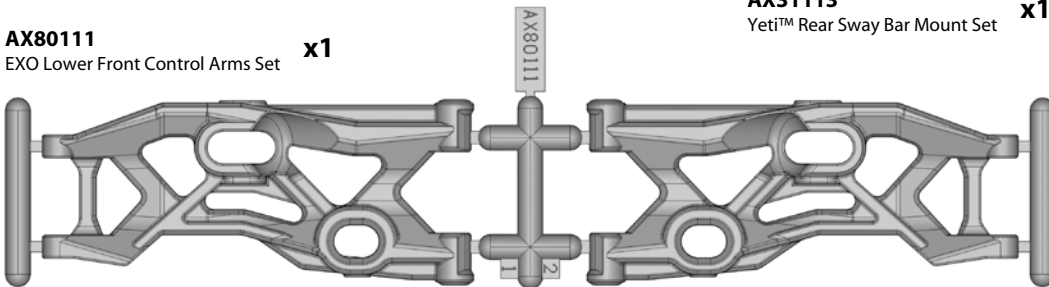
AX80119
EXO RTR Links Parts Tree **x1**



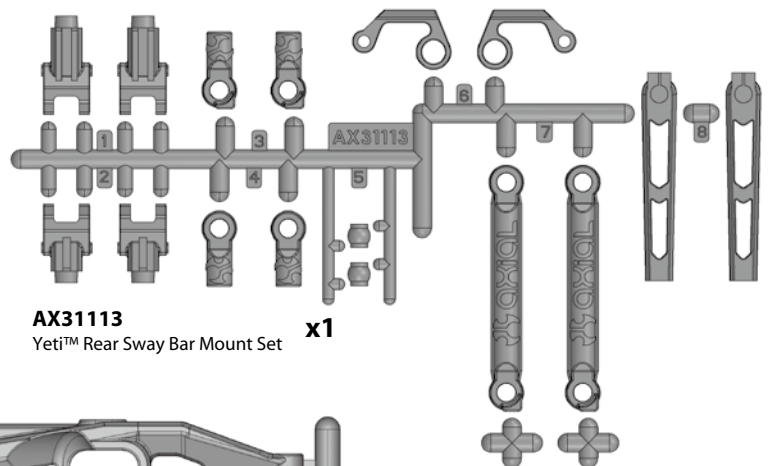
AX31104
Yeti™ Chassis Components **x1**



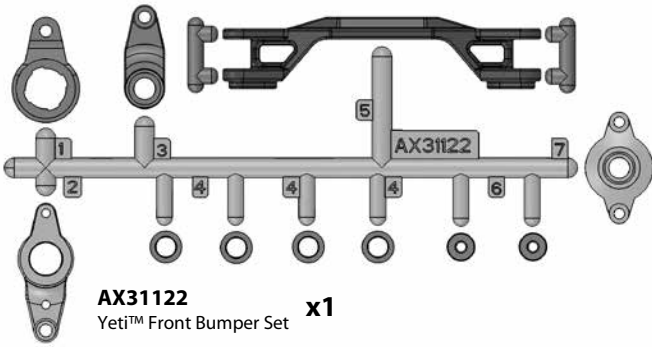
AX31111
Yeti™ Shock Tower and Body Post Set **x1**



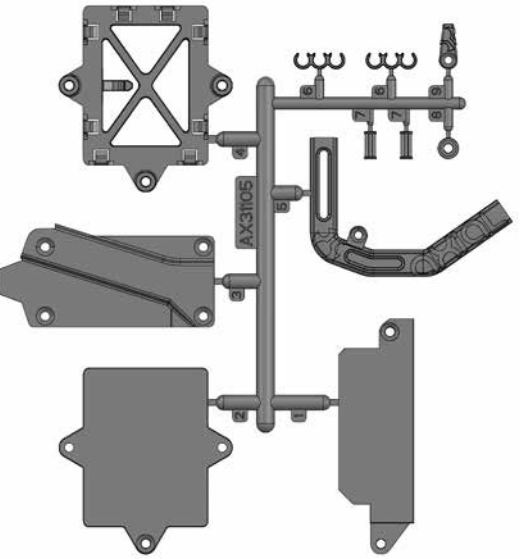
AX80111
EXO Lower Front Control Arms Set **x1**



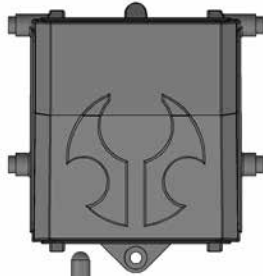
AX31113
Yeti™ Rear Sway Bar Mount Set **x1**



AX31122
Yeti™ Front Bumper Set **x1**



AX31105
Yeti™ Chassis Electronic Components **x1**



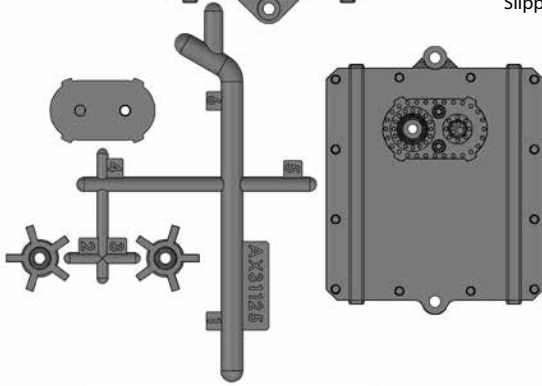
AX31067
Slipper Plate **x1**



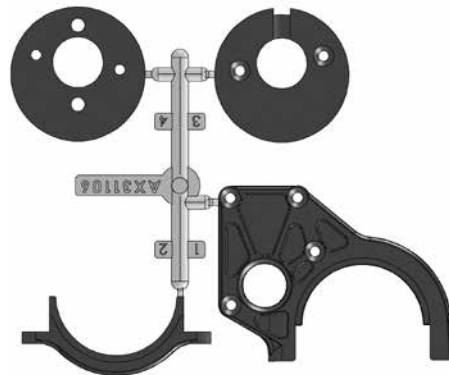
AX31107
2-Speed Hi/Lo Transmission Spur Gear Cover **x1**



AX31118
2.2 Walker Evans Wheels IFD™ Wheels - Black **x4**



AX31125
Yeti™ Fuel Cell **x1**



AX31106
2-Speed Hi/Lo Transmission Motor Mount **x1**



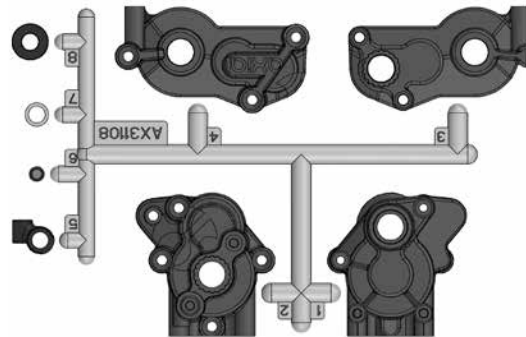
AX80002
Diff Case - Small **x2**



AX31059
Slipper Plate **x2**



AX31114
WB8-HD Driveshaft **x1**



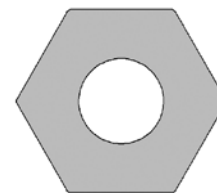
AX31108
2-Speed Hi/Lo Transmission Case **x1**



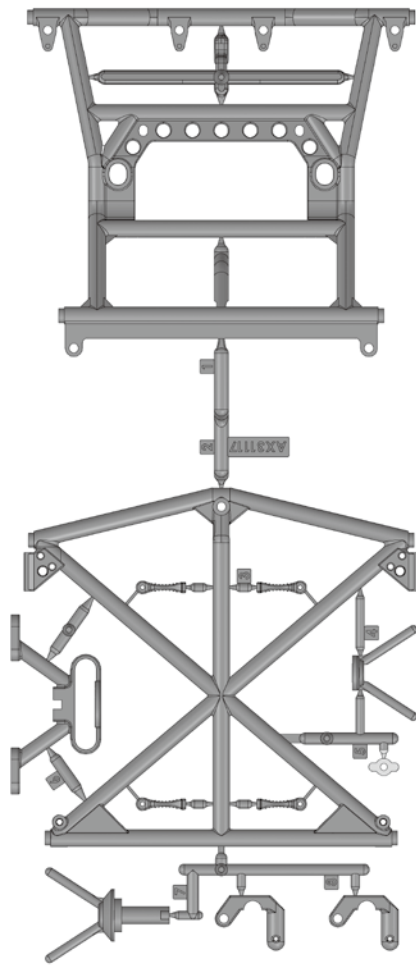
AX31065
Spur Gear 32P 64T **x1**



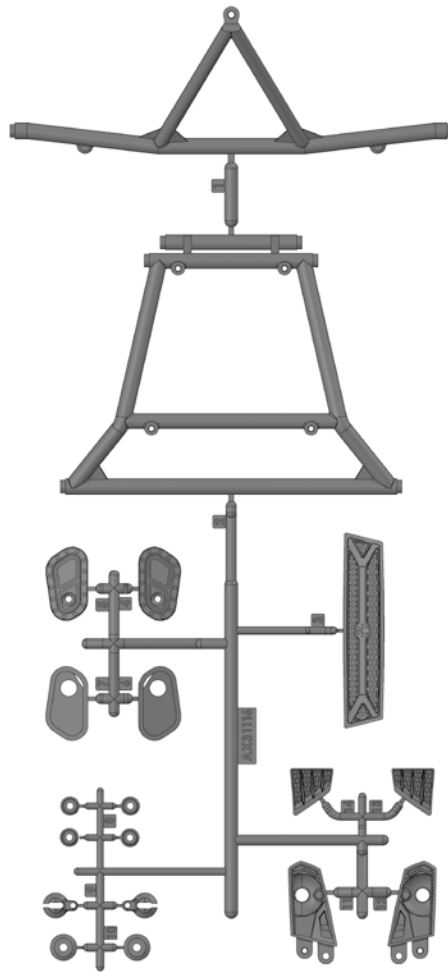
AX31109
Yeti™ Rear 4 Link Set **x1**



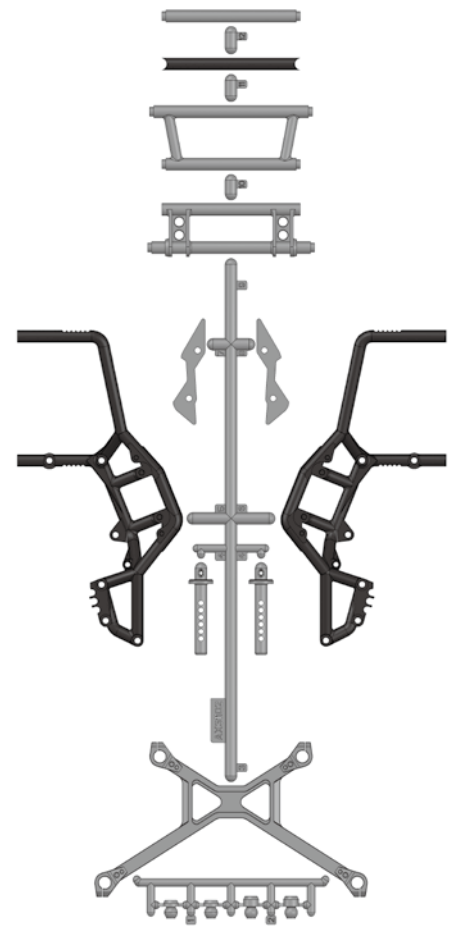
AX31068
Slipper Pad
32.8x15.2x1mm (2pcs) **x2**



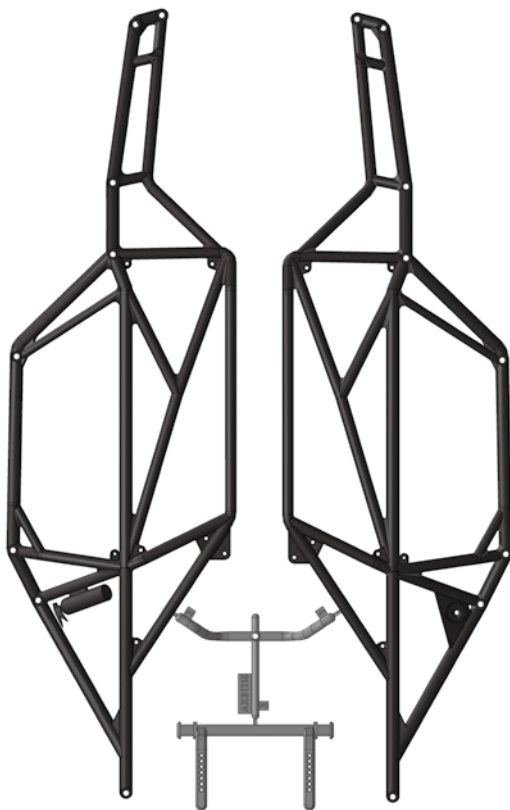
AX31117
Y-380 Cage Top, Rear and Tire Carrier **x1**



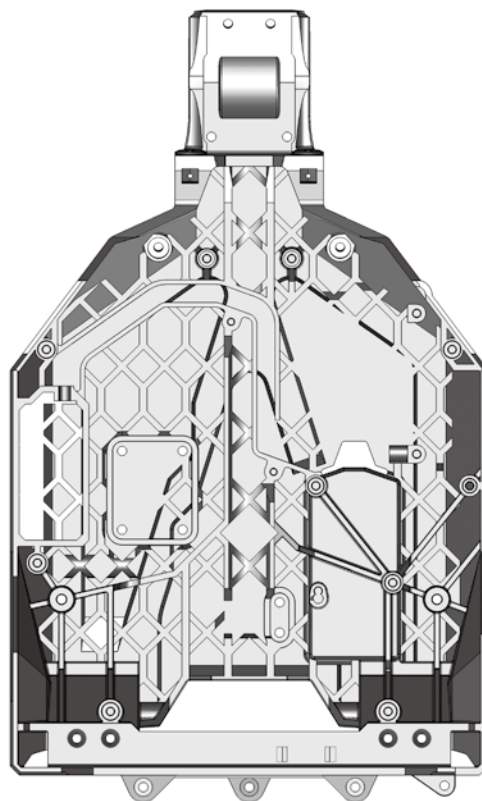
AX31116
Y-380 Cage Front and inserts **x1**



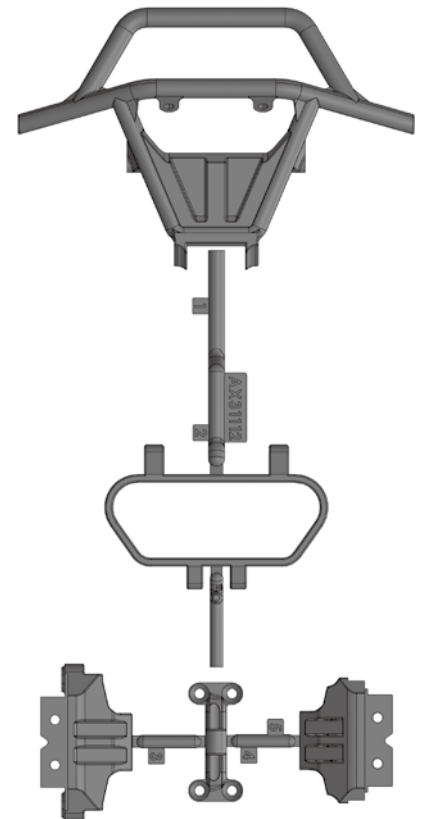
AX31102
Yeti™ Rear Cage Components **x1**



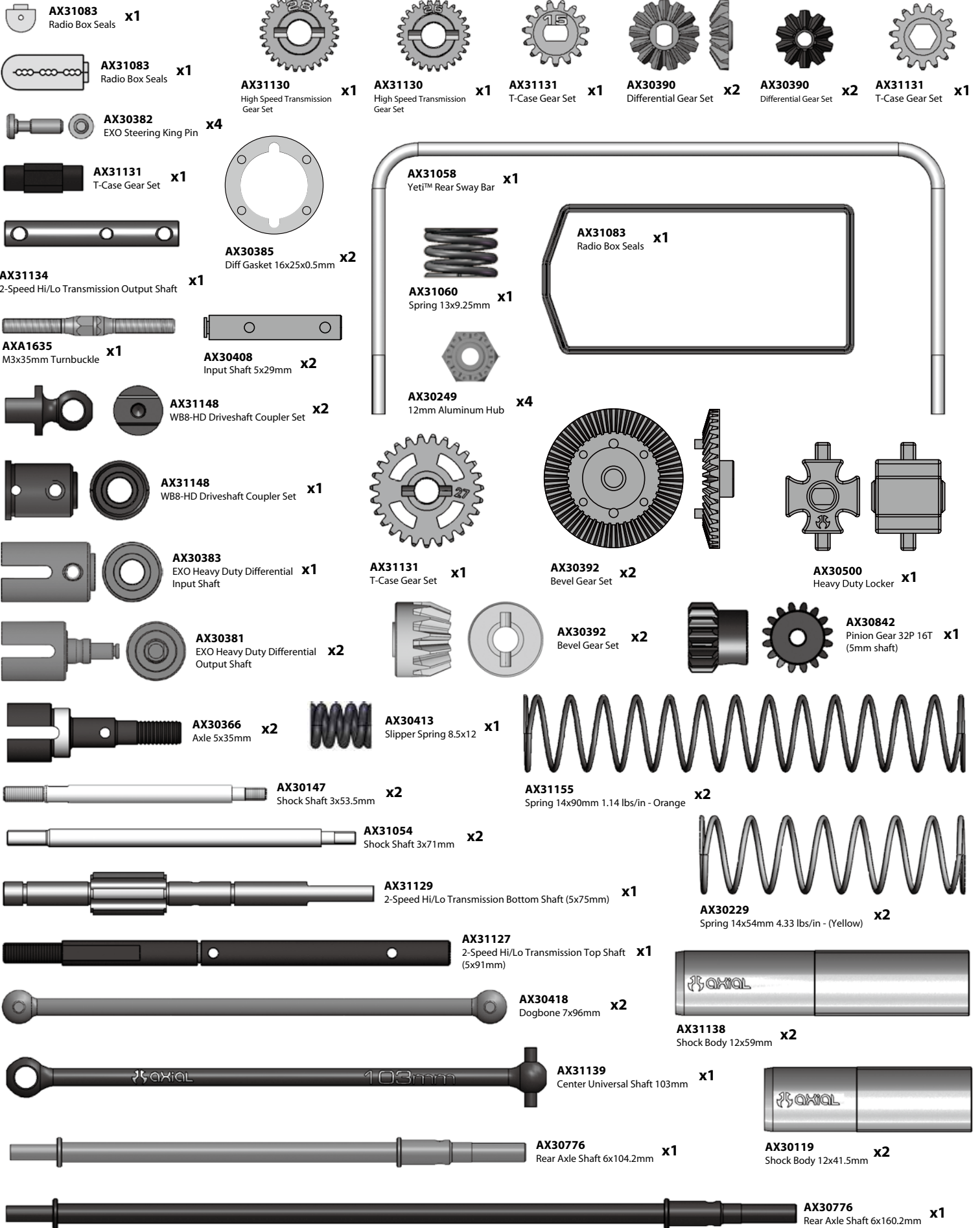
AX31115
Y-380 Cage Sides (Left and Right) **x1**
























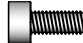


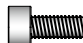


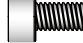



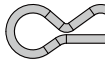























AX31103
Yeti™ Molded Chassis Tub **x1**



AX31112
Yeti™ Front Bumper Set **x1**



	AX31148 4.5x6.5mm Joint Pin	x4		AXA1041 M2.5 Nylon Locking Hex Nut	x4		AXA144 M3x8mm	x4
	AXA1184 O-Ring 7.5x1.5mm	x4		AXA1052 M3 Thin Nylon Locking Hex Nut	x16		AXA146 M3x12mm	x39
	AXA1202 O-Ring 3.5x2mm	x8		AXA1053 M3 Nylon Locking Hex Nut	x7		AXA0147 M3x16mm	x9
	AXA1162 O-Ring 5x1mm	x4		AXA1045 M4 Nylon Lock Nut	x1		AXA148 M3x18mm	x13
	AX30113 Rubber Bump Stop 3.6x7x4	x6		AXA1046 M4 Serrated Nylon Lock Nut	x4		AXA150 M3x25mm	x2
	AX30112 Shock Diaphragm 13x4.5mm	x4		AXA180 M3x3mm Set Screw (Black)	x3		AXA015 M2x10mm	x10
	AXA1069 Washer 2.7x6.7x0.5 mm	x8		AXA0181 M3x4mm Set Screw	x8		AXA0023 M2.6x8mm	x24
	AXA1071 Washer 4x8x0.5mm	x2		AXA291 M4x4mm Set Screw (Black)	x1		AXA087 M3x16mm	x6
	AX30163 Pin 2x10mm	x5		AXA0113 M3x6mm	x5		AXA091 M3x30mm	x1
	AX31028 Pin 2x11mm	x9		AXA114 M3x8mm	x4		AX31121 M4x12mm	x6
	AX30170 M3x22mm	x1		AXA115 M3x10mm	x4		AXA0412 M2.6x6mm	x3
	AXA1059 6mm Body Clip	x8		AXA116 M3x12mm	x8		AXA0109 M3x10mm Oversized Flat Hex Socket	x4
	AXA1393 E2.5 e-clip	x4		AXA117 M3x15mm	x11		AXA0413 M2.6x8mm	x3
	AXA1391 E4 e-clip	x2		AXA118 M3x18mm	x33		AXA464 M3x8mm	x4
	AXA1221 Bearing 5x11x4mm	x18		AXA119 M3x20mm	x4		AX31061 M2.6x18mm	x2
	AXA1230 Bearing 10x15x4mm	x6		AXA121 M3x30mm	x2		AXA0422 M2.6x6mm	x14
				AX31119 M3x35mm	x3		AXA435 M3x10mm	x26
				AXA0125 M3x35mm Hex Socket Button Head Screw Shaft	x2		AXA436 M3x12mm	x7
				AXA0128 M3x61mm Hex Socket Button Head Screw Shaft	x2		AXA0437 M3x15mm	x12
							AXA0286 M4x12mm	x6





Parts List

Part #	Description	Part #	Description
AX12021	816874011949	2.2 BFGoodrich Krawler T/A - R35 Compound (2pcs)	AX80002 877493003135 Diff Case -Small
AX24206	816874010133	2.4GHz Radio System (2 Channel) (AX-3, AR-3)	AX80006 877493003173 Servo Set
AX24260	816874011055	AE-3 Vanguard ESC	AX80018 877493004729 Hardware Parts Tree
AX30112	877493007096	Shock Diaphragm 13x4.5mm (6pcs)	AX80033 877493007058 10mm Shock Parts Tree 1
AX30113	877493007089	Rubber Bump Stop 3.6x7x4 (6pcs)	AX80034 877493007041 10mm Shock Parts Tree 2
AX30119	816874010454	Aluminum Shock Body 12x41.5mm (2pcs)	AX80035 877493007034 10mm Shock Caps Parts Tree
AX30147	816874010461	Shock Shaft 3x53.5mm (2pcs)	AX80069 877493009847 AR60 OCP Axle Housing
AX30163	877493002930	Pin 2.0x10mm (6pcs.)	AX80070 877493009854 AR60 OCP Differential Cover
AX30170	877493002954	Shaft 3 x 22 (2pcs)	AX80071 877493009861 AR60 OCP Straight Axle Adapter
AX30229	816874010508	Spring 14x54mm 4.33 lbs/in - (Yellow) - (2pcs)	AX80072 877493009878 AR60 OCP 4-Link Mount
AX30366	877493002985	Axle 5x35mm (2pcs.)	AX80091 816874010614 EXO Bulkhead
AX30381	816874011024	EXO Heavy Duty Differential Output Shaft (2pcs)	AX80103 816874010713 EXO Rear Light Bezel and Radiator Set
AX30382	816874011048	EXO Steering King Pin (TiN Coated) (2pcs)	AX80106 816874010744 EXO Steering Knuckle Carrier Set
AX30383	816874011031	EXO Heavy Duty Differential Input Shaft (2pcs)	AX80111 816874010799 EXO Lower Front Control Arms Set
AX30385	877493002992	Diff Gasket 16x25x0.5mm (2pcs)	AX80119 816874011680 EXO RTR Links Parts Tree
AX30390	877493004644	Differential Gear Set	AXA0023 816874011970 M2.6x8mm Cap Head (Black) (10pcs)
AX30392	877493003005	Bevel Gear Set (38/13)	AXA0109 816874012038 M3x10mm Oversized Flat Hex Socket (Black) (10pcs)
AX30408	877493009663	Input Shaft 5x29mm (2pcs)	AXA0113 877493009786 M3x6mm Hex Socket Button Head (Black) (10pcs)
AX30413	877493004439	Slipper spring 8.5x12 165 lbs/in - Black (2pcs)	AXA0125 816874011697 M3x35mm Hex Socket Button Head Screw Shaft (Black) (6pcs)
AX30418	816874011093	Dogbone Set 7x96mm (2pcs)	AXA0128 816874011581 M3x61mm Hex Socket Button Head Screw Shaft (Black) (6pcs)
AX30429	877493004668	12mm Aluminum Hub (Black)	AXA0147 877493008833 M3x16mm Hex Socket Flat Head (Black) (10pcs)
AX30500	877493004682	Heavy Duty Locker (2pcs)	AXA015 877493003272 M2x10mm Cap Head (Black) (10pcs)
AX30776	877493009731	AR60 OCP Rear Axle Set (2pcs)	AXA0181 816874010232 M3x4mm Set Screw (Black) (10pcs)
AX30842	816874011345	Pinion Gear 32P 16T (5mm shaft)	AXA0286 816874010874 Screw Shaft M4x2.5x12mm (6pcs)
AX31028	816874012366	Pin 2.0x11mm (6pcs)	AXA0412 877493008888 M2.6x6mm Hex Socket Tapping Flat Head (Black) (10pcs)
AX31047	816874012380	Brushless 3150KV Electric Motor	AXA0413 877493009793 M2.6x8mm Hex Socket Tapping Flat Head (Black) (10pcs)
AX31049	816874012687	Helmet Set (Black)	AXA0422 877493009816 M2.6x6mm Hex Socket Tapping Button Head (Black) (10pcs)
AX31054	816874012670	Shock Shaft 3x71mm (2pcs)	AXA0437 877493008918 M3x15mm Hex Socket Tapping Button Head (Black) (10pcs)
AX31058	816874012755	Yeti™ Rear Sway Bar (3pcs) (Soft, Medium, Firm)	AXA087 877493003326 M3x16mm Cap Head (Black) (10pcs)
AX31059	816874012762	Slipper Plate Washer 33x1mm (2pcs)	AXA091 877493007539 M3x30mm Cap Head - Black (10pcs)
AX31060	816874012793	Servo Saver Spring 13x9.25mm 104 lbs/in (2pcs)	AXA1041 877493007232 M2.5 Nylon Locking Hex Nut - Silver (10pcs)
AX31061	816874012809	M2.6x18mm Hex Socket Tapping Button Head (Black) (10pcs)	AXA1045 877493003364 M4 Nylon Lock Nut (Black) (10pcs)
AX31065	816874012786	Spur Gear 32P 64T	AXA1046 816874011994 M4 Serrated Nylon Lock Nut (Blue) (4pcs)
AX31067	816874012304	Slipper Plate (2pcs)	AXA1052 877493008789 M3 Thin Nylon Locking Hex Nut (Black)
AX31068	816874012373	Slipper Pad 32.8x15.2x1mm (2pcs)	AXA1053 877493003388 M3 Nylon Locking Hex Nut (Black) (10pcs)
AX31074	816874014568	IFD™ Hex Hub Conversion Set (12mm) (4pcs)	AXA1059 877493003395 6mm Body clip (Black) (10pcs)
AX31076	816874013615	O-Ring 3.8x1.9mm (P4) (10pcs)	AXA1069 877493007225 Washer 2.7x6.7x0.5 (10pcs)
AX31083	816874012663	Radio Box Seals	AXA1071 877493003418 Washer 4x8x0.5mm (10pcs)
AX31102	816874012410	Yeti™ Rear Cage Components	AXA114 877493003449 M3x8mm Hex Socket Button Head (Black) (10pcs)
AX31103	816874012427	Yeti™ Molded Chassis Tub	AXA115 877493007942 M3x10mm Hex Socket Button Head (Black) (10pcs)
AX31104	816874012434	Yeti™ Chassis Components	AXA116 877493007522 M3x12mm Hex Socket Button Head - Black (10pcs)
AX31105	816874012441	Yeti™ Chassis Electronic Components	AXA1162 877493004774 O-Ring 5x1mm (10pcs)
AX31106	816874012458	2-Speed Hi/Lo Transmission Motor Mount	AXA117 877493007935 M3x15mm Hex Socket Button Head (Black) (10pcs)
AX31107	816874012465	2-Speed Hi/Lo Transmission Spur Gear Cover	AXA1179 877493006723 O-Ring 2.5x1.5mm (10pcs)
AX31108	816874012472	2-Speed Hi/Lo Transmission Case	AXA118 877493007515 M3x18mm Hex Socket Button Head - Black (10pcs)
AX31109	816874012489	Yeti™ Rear 4 Link Set	AXA1184 877493006730 O-Ring 7.5x1.5mm (S8) - (10pcs)
AX31110	816874012496	Yeti™ Steering Knuckle Set	AXA119 877493008116 M3x20mm Hex Socket Button Head (Black) (10pcs)
AX31111	816874012502	Yeti™ Shock Tower and Body Post Set	AXA1202 877493007201 O-Ring 3.5x2mm (10pcs)
AX31112	816874012519	Yeti™ Front Bumper Set	AXA121 877493008307 M3x30mm Hex Socket Button Head (Black) (10pcs)
AX31113	816874012526	Yeti™ Rear Sway Bar Mount Set	AXA1221 877493003494 Bearing 5x11x4mm (2pcs)
AX31114	816874012533	WB8-HD Driveshaft	AXA1230 877493003517 Bearing 10x15x4mm
AX31115	816874012694	Y-380 Cage Sides (Left and Right)	AXA1391 877493008826 E4 e-clip (10pcs)
AX31116	816874012700	Y-380 Cage Front and inserts	AXA1393 877493003593 E2.5 e-clip (10pcs)
AX31117	816874012717	Y-380 Cage Top, Rear and Tire Carrier	AXA144 877493008093 M3x8mm Hex Socket Flat Head (Black) (10pcs)
AX31118	816874012342	2.2 Walker Evans Wheels - IFD™ Wheels - Black (2pcs)	AXA146 877493006310 M3x12mm Hex Socket Flat Head - Black (10pcs)
AX31119	816874012540	M3x35mm Hex Socket Button Head (Black) (10pcs)	AXA148 877493009557 M3x18mm Hex Socket Flat Head (Black) (10pcs)
AX31120	816874012557	M3x10mm Hex Socket Flat Head (Black) (10pcs)	AXA150 877493003371 M3x25mm Hex Socket Flat Head (Black) (10pcs)
AX31121	816874012564	M4x12mm Cap Head (Black) (10pcs)	AXA1635 816874010263 M3x35mm Turnbuckle (2pcs)
AX31122	816874012571	Double Shear Steering Rack	AXA180 877493003616 M3x3mm Set Screw (Black) (10pcs)
AX31125	816874012724	Yeti™ Fuel Cell	AXA291 877493004187 M4x4mm Set Screw (Black) (6pcs.)
AX31127	816874012588	2-Speed Hi/Lo Transmission Top Shaft (5x91mm)	AXA435 877493008062 M3x10mm Hex Socket Tapping Button Head (Black) (10pcs)
AX31129	816874012595	2-Speed Hi/Lo Transmission Bottom Shaft (5x75mm)	AXA436 877493008048 M3x12mm Hex Socket Tapping Button Head (Black) (10pcs)
AX31130	816874012601	High Speed Transmission Gear Set (48P 26T, 48P 28T)	AXA464 877493008185 M3x8mm Hex Socket Tapping Flat Head (Black) (10pcs)
AX31131	816874012618	T-Case Gear Set (32P 15T, 32P 15T, 32P 27T)	
AX31134	816874012625	2-Speed Hi/Lo Transmission Output Shaft (5x35mm)	
AX31138	816874012632	Aluminum Shock Body 12x59mm (2pcs)	
AX31139	816874012649	Center Driveline Universal Shaft (103mm)	
AX31140	816874012731	Y-380 1/10th Scale Body - .040" (Clear)	
AX31141	816874012748	Y-380 1/10th Scale Interior - .040" (Clear)	
AX31148	816874012656	WB8-HD Driveshaft Coupler Set	
AX31155	816874012830	Spring 14x90mm 1.14 lbs/in - Orange (2pcs)	

Option Parts

Part #	Description	Part #	Description
AX12015	2.2 Ripsaw Tires - R35 Compound (2pcs)	AX31188	Icon Aluminum Shock Body 12x47.5mm (2pcs)
AX12022	2.2 Maxxis Trepador Tires - R35 Compound (2pcs)	AX31189	Icon Aluminum Shock Body 12x59mm (2pcs)
AX24003	20T Electric Motor	AX31190	Icon Aluminum Shock Body 12x65mm (2pcs)
AX24004	Axial 27T Electric Motor	AX31191	Icon Shock Cap (12mm) (2pcs)
AX24007	Axial 55T Electric Motor	AX31193	Shock Shaft 3x77mm (2pcs)
AX24010	Brushless 2900KV Electric Motor	AX80085	Universal Mount 5 Bucket Light Bar (Black)
AX24251	Axial NVS - Night Visions System	AX80086	Light Bar Lenses (Clear) (5pcs)
AX24252	Axial Double LED Light String (White LED)	AX80115	Light Bar Lens Grills (Axial, PIAA, Un-Marked)
AX24253	Axial Double LED Light String (Red LED)	AXA1076	Cap Head Washer M3x10mm (4pcs)
AX24254	Axial Double LED Light String (Orange LED)	AXA1101	Cone Washer 3x6.9x2mm (6pcs)
AX24255	Axial Single LED Light String (White LED)	AXA1104	Cone Washer 3x6.9x2mm - Orange (6pcs)
AX24256	Axial 5 LED Light String (White LED)	AXA1105	Cone Washer 3x6.9x2mm - Grey (6pcs)
AX24257	Simple LED Controller w/LED lights (4 white and 2 Red)	AXA1331	Flanged Ball 3x5.8x7mm (6pcs)
AX24258	4 LED Light String (White LED)	AXA1412	0.5x6mm Spacer - Grey (6pcs)
AX30091	67-90mm Shock Set - 10mm Piston (2pcs)	AXA1413	1x6mm Spacer - Grey (6pcs)
AX30092	Axial 72-103mm Shock Set - 10mm Piston (2pcs)	AXA1414	2x6mm Spacer - Grey (6pcs)
AX30110	Axial Aluminum 13mm Aluminum Preload Collar (2pcs)	AXA1415	3x6mm Spacer - Grey (6pcs)
AX30111	Axial Aluminum Shock Cap (2pcs)	AXA1416	4x6mm Spacer - Grey (6pcs)
AX30120	Axial Aluminum Shock Body 12x47.5mm (2pcs)	AXA1417	5x6mm Spacer - Grey (6pcs)
AX30213	Spring 14x90mm 1.32 lbs/in - Red (2pcs)	AXA1418	6x6mm Spacer - Grey (6pcs)
AX30214	Spring 14x90mm 1.71 lbs/in - White (2pcs)	AXA1419	7x10mm Post - Grey (2pcs)
AX30215	Spring 14x90mm 2.25 lbs/in - Medium (Green)	AXA1420	7x15mm Post - Grey (2pcs)
AX30216	Spring 14x90mm 2.78 lbs/in - Firm (Yellow)	AXA1421	7x20mm Post - Grey (2pcs)
AX30217	Spring 14x90mm 3.01 lbs/in - Super Firm (Blue)	AXA1422	7x25mm Post - Grey (2pcs)
AX30226	Spring 14x54mm 2.64 lbs/in - Super Soft (Red) - (2pcs)	AXA1423	7x30mm Post - Grey (2pcs)
AX30227	Spring 14x54mm 3.4 lbs/in - Soft (White) - (2pcs)	AXA1424	7x35mm Post - Grey (2pcs)
AX30228	Spring 14x54mm 3.85 lbs/in - Medium (Green) - (2pcs)	AXA1425	7x40mm Post - Grey (2pcs)
AX30230	Spring 14x54mm 4.95 lbs/in - Super Firm (Blue) - (2pcs)	AXA1426	7x45mm Post - Grey (2pcs)
AX30395	Heavy Duty Bevel Gear Set - 38T/13T	AXA1427	7x50mm Post - Grey (2pcs)
AX30401	Heavy Duty Bevel Gear Set - 36T/14T	AXA1428	7x55mm Post - Grey (2pcs)
AX30402	Heavy Duty Bevel Gear Set - 43T/13T	AXA1429	7x60mm Post - Grey (2pcs)
AX30438	Machined Shock Piston 10mm - 1.2x2 (4pcs)	AXA1430	7x65mm Post - Grey (2pcs)
AX30709	Universal 5 Bucket Light Bar Set	AXA1431	7x70mm Post - Grey (2pcs)
AX30811	EXO Machined Aluminum Front Toe Block F1 (Hard Anodized)		
AX30829	AR60 OCP Machined Low-Profile Differential Cover		
AX30830	Axial AR60 OCP Machined Link Mounts		
AX30831	AR60 OCP™ Front Axle Set (Complete)		
AX30834	Aluminum Servo Horn 23T		
AX30835	Aluminum Servo Horn 24T		
AX30836	Aluminum Servo Horn 25T		
AX30837	Pinion Gear 32P 11T (5mm shaft)		
AX30838	Pinion Gear 32P 12T (5mm shaft)		
AX30839	Pinion Gear 32P 13T (5mm shaft)		
AX30840	Pinion Gear 32P 14T (5mm shaft)		
AX30841	Pinion Gear 32P 15T (5mm shaft)		
AX30843	Pinion Gear 32P 17T (5mm shaft)		
AX31097	3 Port High Output LED Controller		
AX31098	8 LED Light String (White LED)		
AX31133	WB8-HD Driveshaft Set (2pcs)		
AX31135	Universal Axle Set 94mm (2pcs)		
AX31136	Icon 87-125mm Aluminum Shock Set - 10mm Piston (2pcs)		
AX31152	Universal Rigid Light Bar Set		
AX31153	Spring 14x90mm 0.90 lbs/in - Black (2pcs)		
AX31154	Spring 14x90mm 1.01 lbs/in - Purple (2pcs)		
AX31156	Machined Adjustable Motor Mount (Hard Anodized)		
AX31160	Steel Spur Gear 32P 68T		
AX31161	Steel Spur Gear 32P 64T		
AX31162	Steel Spur Gear 32P 60T		
AX31163	Steel Spur Gear 32P 56T		
AX31164	Machined Slipper Plate (Hard Anodized) (2pcs)		
AX31165	Machined 4 Link Mounts (Hard Anodized) (2pcs)		
AX31166	Machined Shock Mount Plates (Hard Anodized) (2pcs)		
AX31167	Machined Sway Bar Clamp (Hard Anodized) (2pcs)		
AX31169	Machined Body Post Mount (Hard Anodized)		
AX31170	Machined Front Shock Tower (Hard Anodized)		
AX31171	Icon 72-103mm Aluminum Shock Set - 10mm Piston (2pcs)		
AX31172	Icon 67-90mm Aluminum Shock Set - 10mm Piston (2pcs)		
AX31173	Icon 93-137mm Aluminum Shock Damper Set - 10mm Piston (2pcs)		
AX31174	Y-380 1/10th Scale Body - .040" (Pre-Painted) (White, Blue, Pink)		
AX31182	Front Differential Locker		
AX31187	Icon Aluminum Shock Body 12x41.5mm (2pcs)		

DON'T SETTLE FOR *NORMAL BEHAVIOR*

©2013 Axial R/C, Inc. A subsidiary of Hobbico, Inc. All Rights Reserved.



READY TO RUN

**AX10™ DEADBOLT™ 1/10th SCALE
ELECTRIC 4WD #AX90033**

OFFICIALLY LICENSED TECHNICAL PARTNERS:



 **axial**®

www.axialracing.com

SCX10

THE OFFICIAL TRUCK OF THE R.E.C.O.N. G6 CHALLENGE



AWCC 2011



SCX10™ FEATURES:

- > SCALE LOOKS WITH METAL TO MATCH!!!
- > TRUE STEEL C-CHANNEL FRAME
- > SOLID AXLE DESIGN WITH HARDENED STEEL INNER AXLES FRONT AND BACK
- > TRUE RING AND PINION MECHANICAL DIFFERENTIALS
- > COIL OVER SHOCKS
- > STRONG 4X4 TRANSMISSION / TRANSFER CASE ALL-IN-ONE
- > FULL METAL BEARINGS IN AXLES AND TRANSMISSION - RUBBER SEALED FOR MAXIMUM PROTECTION

If you are looking for adventure, the RECON G6 Challenge™ is where it's at. RECON G6 Challenge™ events deliver excitement and push boundaries; always bringing the elements of what a real adventure should deliver - the unknown!

The coolest thing about participating in the G6 Challenge™ is that it is not about the podium, it's all about the finish. It's about the massive amount of drive time and persevering to survive the unknown-uncatched; and then sharing stories at the end of the day - "How in the heck did you clear TM-24 on the 100-course?" "Did you see that Bender-6X walk-it?!" "Did you get passed by the Swanson Swagger!?"

For adventure G6'ers, the rougher and less traveled, the better! It is the adventure of a lifetime for man and scale machine against the elements. The G6 is about battling the course with your comrades, work as an individual or help your fellow G6'ers to overcome the obstacles; survival is the name of the game!

In an adventure, chasing the unknown requires confidence. Confidence = reliability = SCX10™. The Axial SCX10™ - the official truck of the RECON G6 Challenge™!

Visit our blog and start the adventure!



THE SCX10™ MODEL RANGE:



AX90021
DINGO™
KIT (UNASSEMBLED)



AX90022
TRAIL HONCHO™
RTR (READY-TO-RUN)



AX90027
JEEP WRANGLER
UNLIMITED RUBICON
KIT (UNASSEMBLED)



AX90028
JEEP WRANGLER
UNLIMITED RUBICON
RTR (READY-TO-RUN)



OFFICIALLY LICENSED TECHNICAL PARTNERS:



EXPLORE

facebook.com/axialinc | twitter.com/axialrc | youtube.com/axialvideos | flickr.com/axialrc



AX90026-1001

BFGoodrich® Tires and KRAWLER™ T/A® Trademarks are used under License from Michelin.