

REPLACEMENT PARTS // ERSATZTEILE // PIÈCES DE RECHANGE // PEZZI DI RICAMBIO

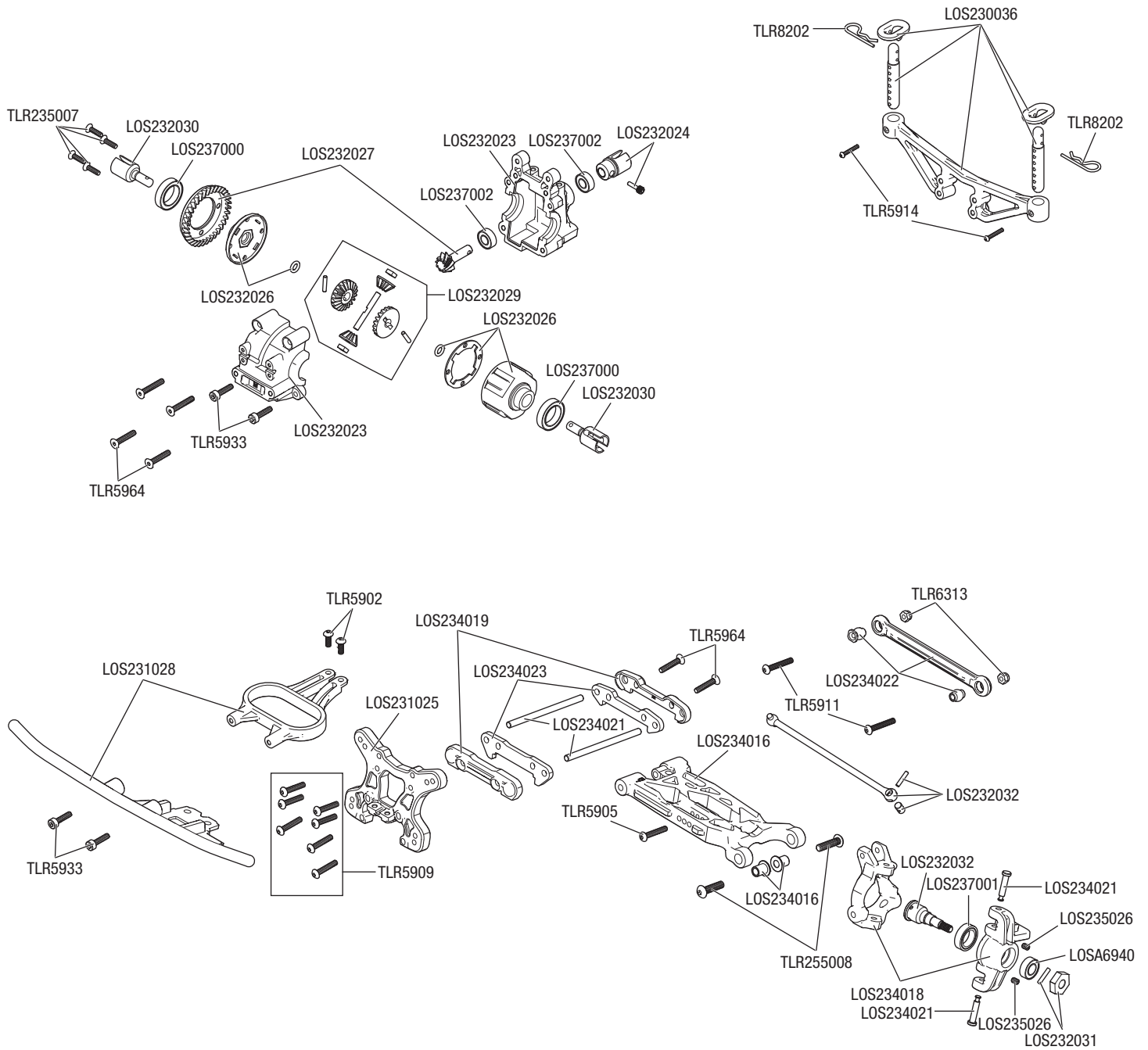
Part #	English	Deutsch	Français	Italiano
DYNS1222	DYN 550 12-Turn Brushed Motor	DYN-550-Bürstenmotor mit 12 Turns	Motore a spazzole DYN 550 12T	Moteur à balais DYN 550 12T
LOS230036	BODY MOUNT SET	KAROSSERIEHALTERUNGSSATZ	Support de carrosserie	SET SUPPORTO CARROZZERIA
LOS230062	Method Body Set: Tenacity SCT	Method Karosseriesatz: Tenacity SCT	Set carrozzeria Method: Tenacity SCT	Ensemble de carrosserie de méthode : Tenacity SCT
LOS231023	CHASSIS	FAHRGESTELL	Châssis	TELAIO
LOS231024	RADIO BOX SET	FUNKGERÄTKASTENSATZ	Boitier radio	SET SCOCCA RADIOCOMANDO
LOS231025	SHOCK TOWER SET	STOSSDÄMPFERSATZ	Support d'amortisseurs	SET TORRE AMMORTIZZATORE
LOS231026	STEERING BELLCRANK SET	STEUERHEBELSATZ	Renvois de direction	SET SQUADRETTE STERZO
LOS231027	Steering Posts/Tubes & Hardware	Lenksäulen/Rohre und Hardware	Pivots/commandes de direction & visserie	Comandi/tubi sterzo e accessori
LOS231028	Front Bumper Set	Frontstoßstangensatz	Pare-choc avant	Set paraurti anteriore
LOS231029	Rear Bumper Set	Heckstoßstangensatz	Pare-choc arrière	Set paraurti posteriore
LOS231030	Chassis Support Set	Fahrgestellstützsatz	Support châssis	Set supporto telaio
LOS231031	Motor Mount	Motorhalterung	Support moteur	Supporto motore
LOS231032	Battery Box	Akkukasten	Boitier batterie	Scatola batteria
LOS231033	Steering Drag Link & Hardware	Spurstangenverbindung und Hardware	Biellette de commande de direction & visserie	Rinvio trascinamento sterzo e accessori
LOS231034	Mud Flaps	Schmutzfänger	Bavettes de garde-boue	Parafanghi
LOS232023	DIFF CASE SET	DIFFERENTIALSGEHÄUSESATZ	Corps de différentiel	SET SCATOLA DIFFERENZIALE
LOS232024	Center Drive Coupler	Zentralantriebskupplung	Liaison cardan central	Accoppiatore trasmissione centrale
LOS232025	40T Spur Gear, Mod 1	40T Stirnradgetriebe, Mod 1	Couronne 40T, Mod 1	Ingranaggio cilindrico 40T, modalità 1
LOS232026	Diff Housing, Integrated Insert	Differentialgehäuse, integrierter Einsatz	Corps de différentiel, insert intégré	Scatola differenziale, inserto integrato
LOS232027	Front Ring & Pinion Gear Set	Frontring und Zahnradgetriebebesatz	Couronne de différentiel avant et pignon d'attaque	Set pignone e fascia anteriore
LOS232028	Rear Ring & Pinion Gear Set	Heckring und Zahnradgetriebebesatz	Couronne de différentiel arrière et pignon d'attaque	Set pignone e fascia posteriore
LOS232029	Diff Gear Set w/Hardware	Differentialgetriebebesatz mit Hardware	Différentiel avec visserie	Set ingranaggio differenziale con accessori
LOS232030	Outdrive, Diff (2)	Außenliegende Differentiale (2)	Noix de cardan, différentiel (2)	Trascinatore, differenziale (2)
LOS232031	Wheel Hex Set (4)	Radsechskantsatz (4)	Hexagones de roues (4)	Set esagoni ruote (4)
LOS232032	Fr/R Driveshafts (2)	Front-/Heckantriebswellen (2)	Cardan avant/arrière (2)	Alberi di trasmissione ant./post. (2)
LOS232033	FR Center Dogbone (2)	Mittlerer Front-Dogbone (2)	Cardan central avant (2)	Cardano centrale ant. (2)
LOS232034	Rear Center Dogbone (2)	Mittlerer Heck-Dogbone (2)	Cardan central arrière (2)	Cardano centrale post. (2)
LOS232050	Brushed Motor Spacer: Tenacity SC	Abstandhalter für Bürstenmotoren: Tenacity SC	Distanziale motore a spazzole: Tenacity SC	Entretoise de moteur à balais : Tenacity SC
LOS233011	SHOCK PLASTICS SET	KUNSTSTOFF-STOSSDÄMPFERSATZ	Plastique amortisseurs	SET COMPONENTI AMMORTIZZATORI IN PLASTICA
LOS233012	Front & Rear Shock Body	Front- und Heckstoßdämpfergehäuse	Corps d'amortisseurs avant & arrière	Corpo ammortizzatore ant. e post.
LOS233013	Spring Set	Federsatz	Ressort	Set molle
LOS233014	Rear Shock Shaft (2)	Hintere Stoßdämpferwelle (2)	Tige d'amortisseur arrière (2)	Albero ammortizzatore posteriore (2)
LOS233015	Front Shock Shaft (2)	Vordere Stoßdämpferwelle (2)	Tige d'amortisseur avant (2)	Albero ammortizzatore anteriore (2)
LOS234016	FRONT ARM SET	FRONTARMSATZ	Bras avant	SET BRACCIO ANTERIORE
LOS234017	REAR ARM SET	HECKARMSATZ	Bras arrière	SET BRACCIO POSTERIORE
LOS234018	FRONT SPINDLE & CARRIER SET	VORDERER SPINDEL- UND SCHLITTENSATZ	Fusée avant & étrier	SET FUSELLO E PORTAFUSELLO ANTERIORE
LOS234019	FRONT/REAR Pin Mount Cover Set	VORDERER/HINTERER Stift-Halterungsabdeckungssatz	Protections de renforts de cellules avant et arrière	Set copertura supporto ant./post. con perni
LOS234020	Rear Hubs Set	Hinterer Nabensatz	Fusée arrière	Set mozzi posteriori
LOS234021	Hingepin & Kingpin Set	Scharnierbolzen- und Achsschenkelbolzen-Satz	Axe de suspension & axes	Set perni cerniere e perni fuso a snodo
LOS234022	Camber Link Set	Sturzstangensatz	Biellette de carrossage	Set collegamenti campanatura
LOS234023	Pivot Pin Mount Set, Steel (4)	Kippzapfen-Halterungssatz, Stahl (4)	Goupilles de pivots, acier (4)	Set supporto a perno girevole, acciaio (4)
LOS235011	Set Screws, M3 x 3mm Cup Point(10)	Stellschrauben, M3 x 3 mm Ringschneide (10)	Vis STHC M3 x 3mm CUV (10)	Grani, M3 x 3 mm con punta a coppa (10)
LOS235012	Set Screw, M4 x 4mm Cup Point(10)	Stellschrauben, M4 x 4 mm Ringschneide (10)	Vis STHC M4 x 4mm CUV (10)	Grano, M4 x 4 mm con punta a coppa (10)
LOS235024	Button Head Screws M3x25mm (10)	Halbrundschräuben M3 x 25 mm (10)	Vis à tête bombée M3 x 25mm (10)	Viti a testa tonda M3 x 25 mm (10)
LOS235025	Button Head Screws M3x30mm (10)	Halbrundschräuben M3 x 30 mm (10)	Vis à tête bombée M3 x 30mm (10)	Viti a testa tonda M3 x 30 mm (10)

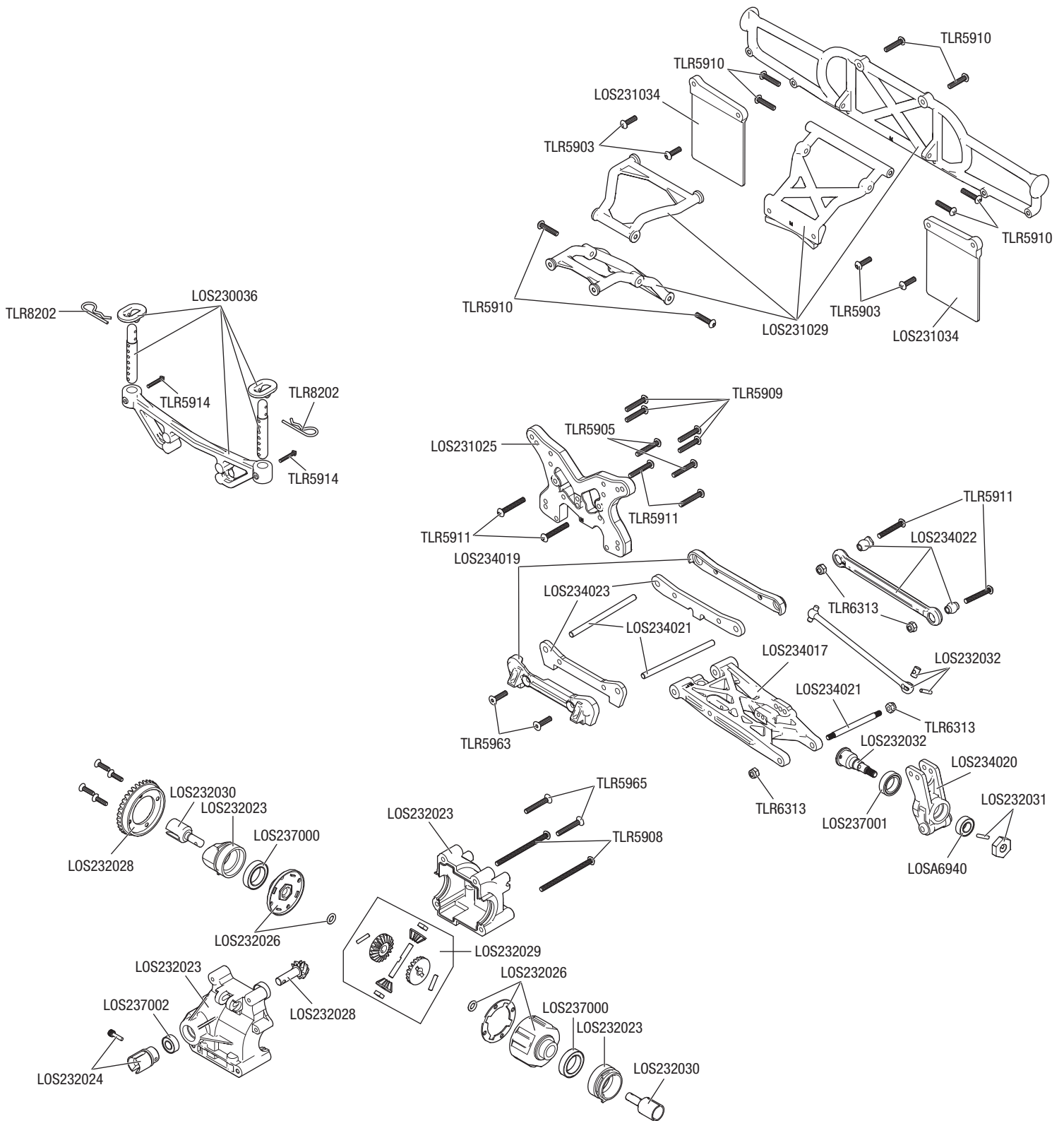
REPLACEMENT PARTS // ERSATZTEILE // PIÈCES DE RECHANGE // PEZZI DI RICAMBIO

Part #	English	Deutsch	Français	Italiano
LOS235026	Set Screws, M3 x 4mm Cup Point(10)	Stellschrauben, M3 x 4mm Ringschneide (10)	Vis sans tête M3 x 4mm (10)	Grani, M3 x 4 mm con punta a coppa (10)
LOS235027	Set Screws, M3 x 10mm Cup Point(10)	Stellschrauben, M3 x 10mm Ringschneide (10)	Vis sans tête M3 x 10mm (10)	Grani, M3 x 10 mm con punta a coppa (10)
LOS236000	E-Clips 2.5mm (12)	E-Clips 2,5 mm (12)	E-Clips 2,5mm (12)	E-clip 2,5 mm (12)
LOS236001	3.2mm x 7mm x .5mm Washer (10)	3,2 mm x 7 mm x 0,5 mm Unterlegscheibe (10)	Rondelle 3,2mm x 7mm x 0,5mm (10)	Rondella 3,2 mm x 7 mm x .5 mm (10)
LOS237000	12x18x4mm Ball Bearing (4)	12 x 18 x 4 mm Kugellager (4)	Roulements 12 x 18 x 4mm (4)	Cuscinetto a sfera 12 x 18 x 4 mm (4)
LOS237001	10x15x4mm Ball Bearing (4)	10 x 15 x 4 mm Kugellager (4)	Roulements 10 x 15 x 4mm (4)	Cuscinetto a sfera 10 x 15 x 4 mm (4)
LOS237002	5x11x4mm Ball Bearing (4)	5 x 11 x 4 mm Kugellager (4)	Roulements 5 x 11 x 4mm (4)	Cuscinetto a sfera 5 x 11 x 4 mm (4)
LOS43006	Wheels (4): Baja Rey	Räder (4): Baja Rey	Baja Rey - Roues (4)	Ruote (4): Baja Rey
LOS43015	Wheel and Tire Mounted (2)	Rad und Reifen befestigt (2)	Pneu et jante monté (2)	Ruota e pneumatico montati (2)
LOS43016	Maxxis Razr MT, SCT TIRE (2)	Maxxis Razr MT, SCT REIFEN (2)	Pneu SCT, Maxxis Razr MT (2)	Maxxis Razr MT, pneumatico SCT (2)
LOSA6940	6x12mm Sealed Ball Bearing (4)	6 x 12 mm geschlossenes Kugellager (4)	Roulements étanches 6x12mm (4)	Cuscinetto a sfera sigillato 6 x 12 mm (4)
SPMS605	9KG Servo, WP, Metal Cent. Case 23T	9 kg Servo, WP, zentrales Metallgehäuse 23T	Servo 9KG, WP, custodia cent. in metallo 23T	Servo 9KG, WP, Métal. Boîtier 23T
TLR235007	Flat Head Screws M2.5 x 10mm (10)	Flachkopfschraube M2,5 x 10 mm (10)	Vis FHC M2,5 x 10mm (10)	Viti a testa piatta M2,5 x 10 mm (10)
TLR255008	Button Head Screws, M4x16mm (10)	Halbrundschrauben, M4 x 16 mm (10)	Vis à tête bombée, M4x16mm (10)	Viti a testa tonda, M4 x 16 mm (10)
TLR255013	Flat Head Screws, M4x12mm (10)	Flachkopfschrauben, M4 x 12 mm (10)	Vis à tête fraisée, M4x12mm (10)	Viti a testa piatta, M4 x 12 mm (10)
TLR256005	Nylock Nut, M4 (10)	Einstellmutter, M4 (10)	Écrou auto-freiné, M4 (10)	Dado Nylock, M4 (10)
TLR336005	M3 Flanged Aluminum Lock Nuts, Black (10)	M3 geflanschte Aluminium-Kontermuttern, Schwarz (10)	Écrou auto-freiné épaulé M3 en aluminium, noir (10)	Dadi autobloccanti a colletto M3 in alluminio, nero (10)
TLR5901	Button Head Screws, M3 x 6mm (10)	Halbrundschrauben, M3 x 6 mm (10)	Vis à tête bombée M3 x 6mm (10)	Viti a testa tonda, M3 x 6 mm (10)
TLR5902	Button Head Screws, M3 x 8mm (10)	Halbrundschrauben, M3 x 8 mm (10)	Vis à tête bombée M3 x 8mm (10)	Viti a testa tonda, M3 x 8 mm (10)
TLR5903	Button Head Screws, M3 x 10mm (10)	Halbrundschrauben, M3 x 10 mm (10)	Vis à tête bombée M3 x 10mm (10)	Viti a testa tonda, M3 x 10 mm (10)
TLR5904	Button Head Screws, M3 x 12mm (10)	Halbrundschrauben, M3 x 12 mm (10)	Vis à tête bombée M3 x 12mm (10)	Viti a testa tonda, M3 x 12 mm (10)
TLR5905	Button Head Screws, M3 x 18mm (10)	Halbrundschrauben, M3 x 18 mm (10)	Vis à tête bombée M3 x 18mm (10)	Viti a testa tonda, M3 x 18 mm (10)
TLR5908	Button Head Screws, M3 x 44mm (4)	Halbrundschrauben, M3 x 44 mm (4)	Vis à tête bombée M3 x 44mm (4)	Viti a testa tonda, M3 x 44 mm (4)
TLR5909	Button Head Screws, M3 x 16mm (10)	Halbrundschrauben, M3 x 16 mm (10)	Vis à tête bombée M3 x 16mm (10)	Viti a testa tonda, M3 x 16 mm (10)
TLR5910	Button Head Screws, M3 x 14mm (10)	Halbrundschrauben, M3 x 14 mm (10)	Vis à tête bombée M3 x 14mm (10)	Viti a testa tonda, M3 x 14 mm (10)
TLR5911	Button Head Screws, M3 x 20mm (10)	Halbrundschrauben, M3 x 20 mm (10)	Vis à tête bombée M3 x 20mm (10)	Viti a testa tonda, M3 x 20 mm (10)
TLR5914	Button Head Screws, M2 x 12mm (10)	Halbrundschrauben, M2 x 12 mm (10)	Vis à tête bombée M2 x 12mm (10)	Viti a testa tonda, M2 x 12 mm (10)
TLR5932	Cap Head Screws, M3 x 10mm (10)	Kopfschrauben, M3 x 10 mm (10)	Vis BTR M3 x 10mm (10)	Viti a grano, M3 x 10 mm (10)
TLR5933	Cap Head Screws, M3 x 12mm (10)	Kopfschrauben, M3 x 12 mm (10)	Vis BTR M3 x 12mm (10)	Viti a grano, M3 x 12 mm (10)
TLR5963	Flathead Screw, M3 x 12mm (10)	Flachkopfschraube, M3 x 12 mm (10)	Vis à tête plate M3 x 12mm (10)	Viti a testa piatta M3 x 12 mm (10)
TLR5964	Flathead Screw, M3 x 16mm (10)	Flachkopfschraube, M3 x 16 mm (10)	Vis à tête plate M3 x 16mm (10)	Viti a testa piatta, M3 x 16 mm (10)
TLR5965	Flathead Screw, M3 x 20mm (10)	Flachkopfschraube, M3 x 20 mm (10)	Vis à tête plate M3 x 20mm (10)	Viti a testa piatta, M3 x 20 mm (10)
TLR6313	Locknut, M3 x .5 x 5.5mm (10)	Kontermutter, M3 x 0,5 x 5,5 mm (10)	Ecrou M3 x 0,5 x 5,5mm (10)	Dado autobloccante, M3 x .5 x 5,5 mm (10)
TLR6352	Washers, M3 (10)	Unterlegscheiben, M3 (10)	Rondelles M3 (10)	Rondelle, M3 (10)
TLR74008	Silicone Shock oil, 35wt, 2oz	Silikonstoßdämpferöl, 35wt, 2 oz	Huile silicone d'amortisseur, 35wt, 60 ml	Olio silicone ammortizzatori, 35wt, 2oz
TLR8202	Body Clips, Black (12): 22	Karosserieklammern, Schwarz (12): 22	22 - Clips de carrosserie noirs (12)	Clip carrozzeria, nero (12): 22

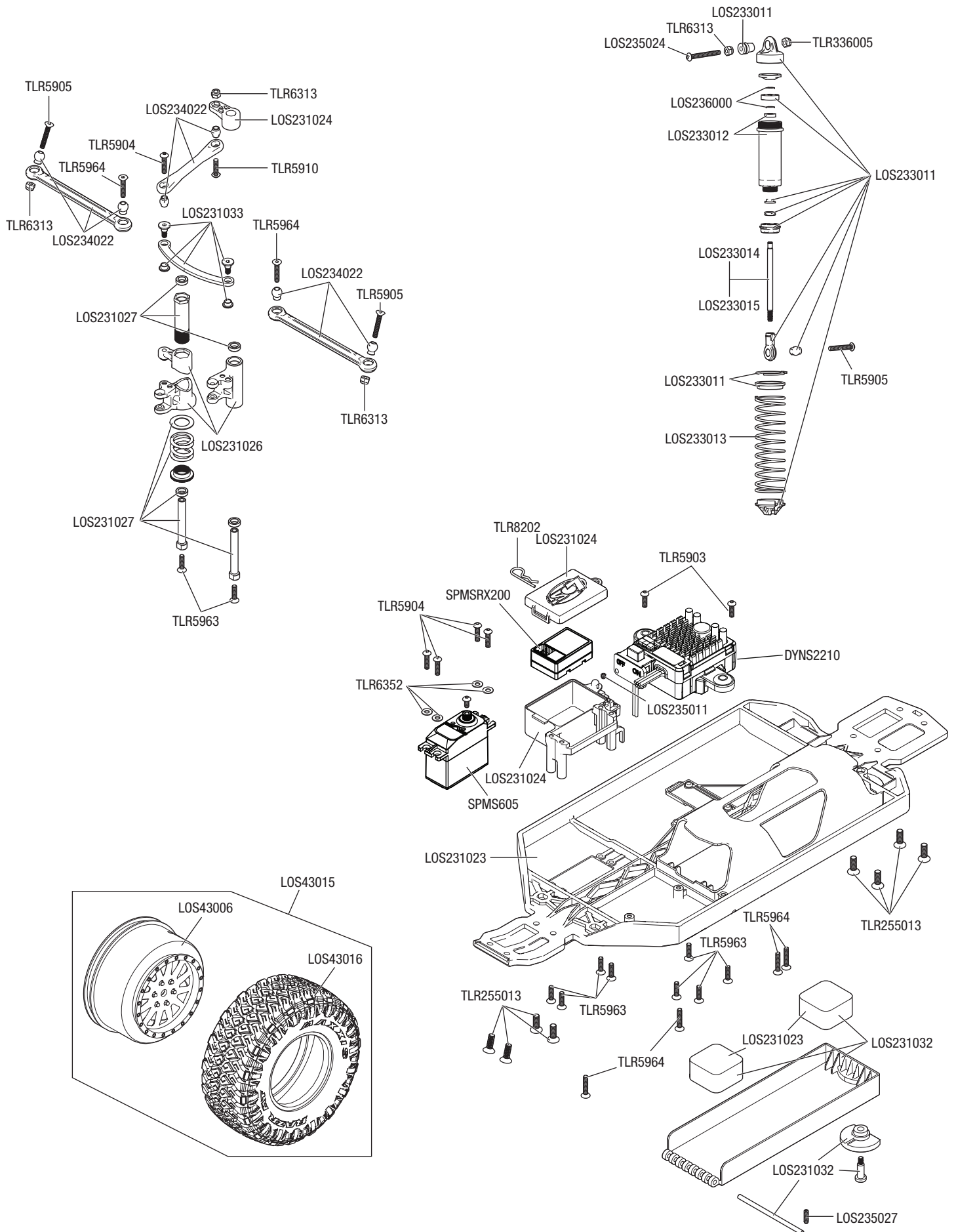
OPTIONAL PARTS // OPTIONALE TEILE // PIÈCES OPTIONNELLES // PARTI OPZIONALI

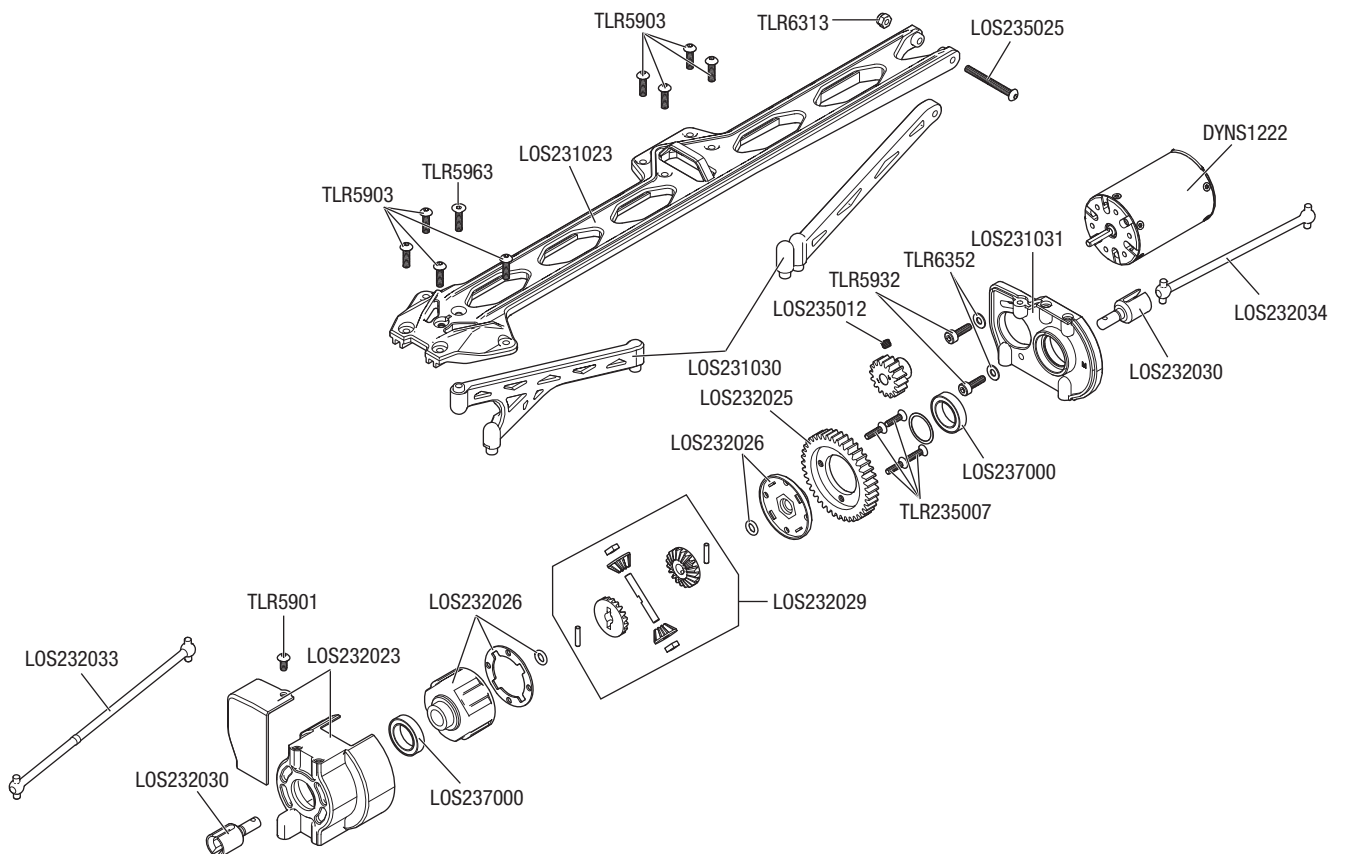
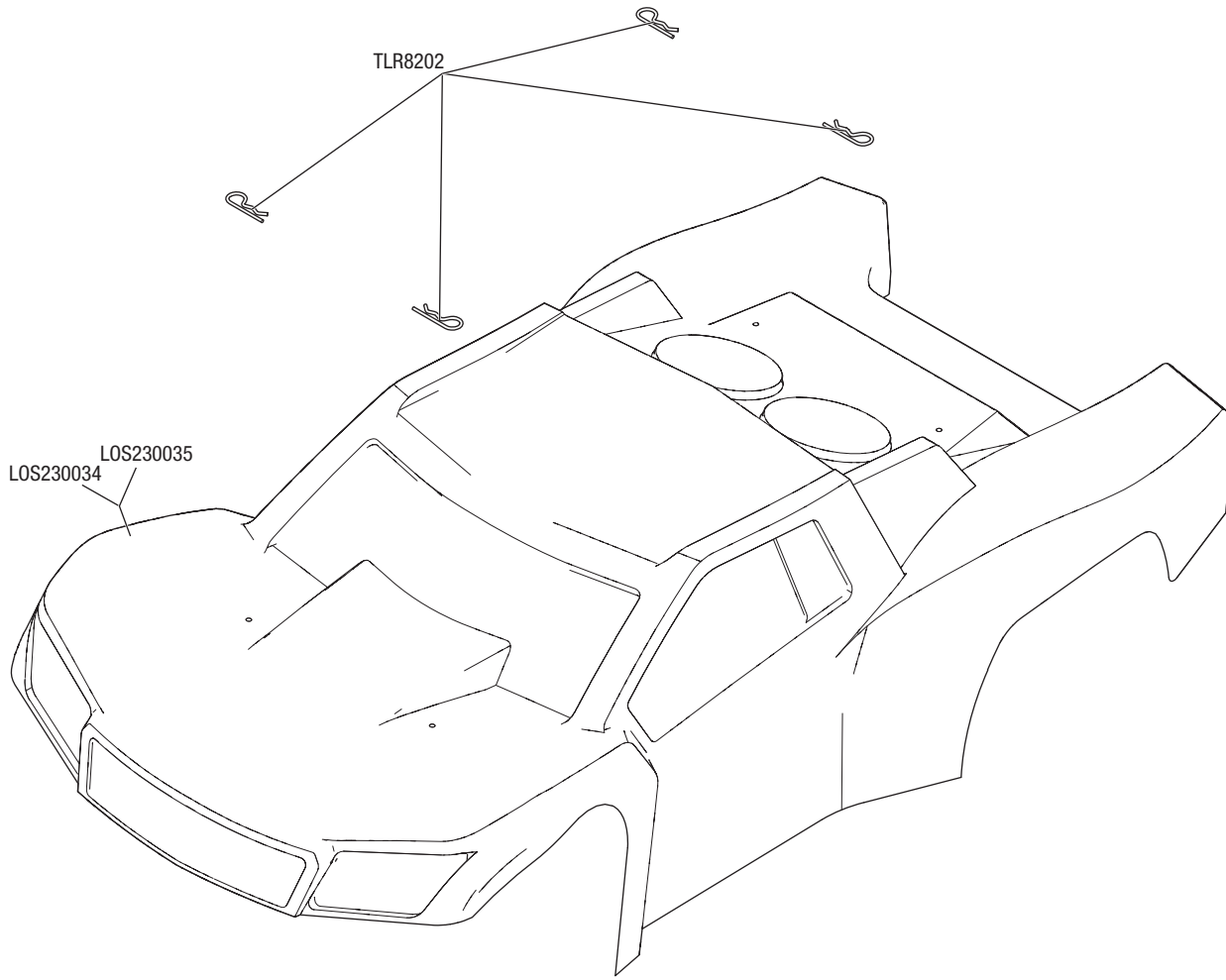
Part #	English	Deutsch	Français	Italiano
DYN2834	Startup Tool Set: Metric	Anfänger-Werkzeugsatz: Metrisch	Set utensili per avvio: metrico	Jeu d'outils de démarrage : Métrique
DYN4955	Fuze 130A BL ESC: 4WD SCT 1/8 WP	Fuze 130A BL Geschwindigkeitsregler 4WD SCT 1/8 WP	ESC Fuze 130A BL: 4WD SCT 1/8 WP	Variateur ESC Fuze 130 A BL : 4WD SCT 1/8 WP
DYN5500	Magnum Force 2 Motor Spray, 13 oz	Magnum Force 2 Motorspray, 368 g	Spray motore Magnum Force 2, 384 ml	Vaporisateur pour moteur Magnum Force 2, 13 onces
DYNS1616	FUZE 550 BL Motor 3800kv v2	FUZE 550 Bürstenloser Motor 3800 kv V2	Motore FUZE 550 BL 3800 kv v2	FUZE 550 BL Moteur 3 800 kv v2
DYNT2010	Machined Nut Driver Set (4) Metric	Set gefräste Steckschlüssel (4) metrisch	Set chiave dadi fresata (4) metrico	Ensemble de tournevis à écrou usiné (4) Métrique
DYNT2030	Machined Hex Driver Set (4) Metric	Set gefräste Sechskantschlüssel (4) metrisch	Set chiave esagonale fresata (4) metrico	Ensemble de clé à six pans usinée (4) Métrique
LOS230033	Body Set, Clear: TENACITY SCT	Karosseriesatz, farblos: TENACITY SCT	Set cellula, trasparente: TENACITY SCT	Ensemble de carrosserie, transparente : TENACITY SCT
LOS230034	Body Set, Painted:TENACITYBLK/YE	Karosseriesatz, lackiert: TENACITY BLK/YE	Set carrozzeria, verniciato: TENACITY BLK/YE	Ensemble de carrosserie, peinte : TENACITY BLK/YE
LOS230035	Body Set, Painted:TENACITYWHT/OR	Karosseriesatz, lackiert: TENACITY WHT/OR	Set carrozzeria, verniciato: TENACITY WHT/OR	Ensemble de carrosserie, peinte : TENACITY WHT/OR
LOS331008	Tenacity PROformance Upgrade Kit	Tenacity PROformance Upgrade Kit	Kit aggiornamento Tenacity PROformance	Kit de mise à niveau Tenacity PROformance
LOS331009	Alum Fr Chs Brc:TenacitySCT/T/D	Vordere Karosseriestrebe, Aluminium: Tenacity SCT/T/D	Supporto telaio anteriore in alluminio: Tenacity SCT/T/D	Support de carrosserie avant en aluminium : Tenacity SCT/T/D
LOS331010	Alum Rr Chs Brc:TenacitySCT/T/D	Hintere Karosseriestrebe, Aluminium: Tenacity SCT/T/D	Supporto telaio posteriore in alluminio: Tenacity SCT/T/D	Support de carrosserie arrière en aluminium : Tenacity SCT/T/D
LOS331012	Mach Alum Motor Mount: Tenacity	Gefräste Motorhalterung, Aluminium: Tenacity	Supporto motore in alluminio fresato: Tenacity	Support moteur en aluminium usiné : Tenacity
LOS334011	Aluminum Rear Hubs (2): Tenacity	Hintere Nabe, Aluminium (2): Tenacity	Mozzi posteriori in alluminio (2): Tenacity	Moyeux arrière en aluminium (2) : Tenacity
LOS334012	Aluminum Ft Spindle (2): Tenacity	Ft Spindel, Aluminium (2): Tenacity	Fusello anteriore in alluminio (2): Tenacity	Axe avant en aluminium (2) : Tenacity
LOS334013	Alum Spind Carrier (2): Tenacity	Spindelträger, Aluminium (2): Tenacity	Set guida fuso in alluminio (2): Tenacity	Support d'axe en aluminium (2) : Tenacity
LOS43011	Dsrst Claws Tires with Foam, Soft (2)	Desert Claws-Reifen mit Schaumstoff (2)	Ruote Desert Claws con schiuma, morbide (2)	Pneus Desert Claws avec mousse, douce (2)
LOSA99173	Ride Height Gauge	Fahrzeughöhenmesser	Cale de mesure de garde au sol	Misuratore di altezza
LOSA99174	Car Stand: 8IGHT/T	Autoständer	Support de voiture	Supporto auto
LOSB3493	Aluminum Clamping Wheel Hex (2): TEN-SCTE	Aluminium Klemmradsschraube (2): TEN SCTE	TEN-SCTE - Hexagones de roues en aluminium (2)	Esagono Ruote in Alluminio (2): TEN-SCTE
SPM6730	Spektrum Tx Storage Bag	Spektrum Tx Aufbewahrungstasche	Borsa per la trasmittente Spektrum	Sac de rangement Spektrum Tx
SPMSS6230	S6230 U-T / M-S Digital WP Servo	S6230 U-T / M-S Digitaler WP Servo	Servo S6230 U-T / M-S Digital WP	Servo numérique S6230 U-T / M-S WP
TLR332014	Rear Hex, +0.5mm Width, Alum: SCTE	TLR Mitnehmer Hinten, +0,5mm, Aluminium: SCTE	Hexagones de roues arrière en aluminium SCTE TLR (+0.5mm)	SCTE set trascinatori posteriori in alluminio (+0.5mm larghezza)
TLR336000	4mm Aluminum Serrated Lock Nuts, Black (6)	TLR 4mm Aluminium Stopmutter mit Flansch Schwarz 6St.	Ecrou auto-freiné épaulé M4, aluminium, noir (6)	Dado autobloccante seghettato 4mm, nero (6)
TLR336001	4mm Aluminum Serrated Lock Nuts, Blue (6)	TLR 4mm Aluminium Stopmutter mit Flansch Blau (6).	Ecrou auto-freiné épaulé M4, aluminium, bleu (6)	Dado autobloccante 4mm dentellato, blu (6)
TLR5062	Bleeder Shock Caps, Alum (2): TEN	Stoßdämpfer-Entlüfterkappen, Aluminium (2): TEN	Tappi sfiato per ammortizzatori in alluminio (2): TEN	Capuchons d'amortisseurs avec purgeurs, Alum (2) : TEN
TLR74006	Silicone Shock oil, 30wt, 2oz	Silikon Stoßdämpfer Öl, 30wt, 2oz	Huile silicone d'amortisseur, 30wt, 60 ml	Olio silicone ammortizzatore, 30wt, 2oz
TLR74010	Silicone Shock Oil, 40 Wt, 2 Oz	Silikonstoßdämpferöl, 40wt, 2 oz	Huile silicone d'amortisseur, 40wt, 60 ml	Olio silicone ammortizzatori, 40wt, 2oz
TLR76000	Tire Glue, Standard	TLR Reifenkleber Standard	Colle à pneus standard	Colla per gomme, standard
TLR76004	TLR Lok, Threadlock, Blue	TLR Schraubensicherungslack Blau	Frein filet TLR Lok, bleu	TLR Lok, frenafilletti, blu
TLR8060	Hi Perfrmnce Body: 22SCT,2.0,SCTE	Hochleistungskarrosserie: 22SCT,2.0, SCTE	Carrozzeria alte prestazioni: 22SCT,2.0, SCTE	Carrosserie Hi Performance : 22SCT,2.0, SCTE
TLR8061	Hi Performance Body, Clear, Precut: 22SCT/2.0/SCTE	TLR: Hi Performance Karrosserie vorgeschritten: 22SCT/ SCT/ SCTE	22SCT, SCT, SCTE - Carrosserie SCT hautes performances pré-découpée	Carrozzeria ad Alte Performance, Trasparente, Pretagliata: 22SCT/2.0/ SCTE





EXPLODED VIEW // EXPLOSIONSZEICHNUNG // VUE ÉCLATÉE DES PIÈCES // VISTA ESPLOSA DELLE PARTI







WWW.LOSI.COM

©2018 Horizon Hobby, LLC.

Losi, Tenacity, Dynamite, EC3, Prophet and the Horizon Hobby logo are trademarks or registered trademarks of Horizon Hobby, LLC. The Spektrum trademark is used with permission of Bachmann Industries, Inc.

Created 09/18

58311

LOS03010T1/T2

