

# AX24 XC-1

1/24 SCALE ELECTRIC 4WD READY-TO-RUN



Scan the QR code and select the Manuals and Support quick links from the product page for the most up-to-date manual information.

Scannen Sie den QR-Code und wählen Sie auf der Produktseite die Quicklinks Handbücher und Unterstützung, um die aktuellsten Informationen zu Handbücher.

Scannez le code QR et sélectionnez les liens rapides Manuals and Support sur la page du produit pour obtenir les informations les plus récentes sur le manuel.

Scannerizzare il codice QR e selezionare i Link veloci Manuali e Supporto dalla pagina del prodotto per le informazioni manuali più aggiornate.

**RTR**  
READY-TO-RUN



**Before operating this vehicle, please read all printed materials thoroughly. Horizon Hobby is not responsible for inadvertent errors in this manual.**

**INSTRUCTION MANUAL  
BEDIENUNGSANLEITUNG  
MANUEL D'UTILISATION  
MANUALE DI ISTRUZIONI**

**HORIZON**<sup>®</sup>  
H O B B Y

**NOTICE**

All instructions, warranties and other collateral documents are subject to change at the sole discretion of Horizon Hobby, LLC. For up-to-date product literature, visit [horizonhobby.com](http://horizonhobby.com) or [towerhobbies.com](http://towerhobbies.com) and click on the support or resources tab for this product.

**MEANING OF SPECIAL LANGUAGE**

The following terms are used throughout the product literature to indicate various levels of potential harm when operating this product:

**WARNING:** Procedures, which if not properly followed, create the probability of property damage, collateral damage, and serious injury OR create a high probability of superficial injury.

**CAUTION:** Procedures, which if not properly followed, create the probability of physical property damage AND a possibility of serious injury.

**NOTICE:** Procedures, which if not properly followed, create a possibility of physical property damage AND a little or no possibility of injury.



**WARNING:** Read the ENTIRE instruction manual to become familiar with the features of the product before operating. Failure to operate the product correctly can result in damage to the product, personal property and cause serious injury.

This is a sophisticated hobby product. It must be operated with caution and common sense and requires some basic mechanical ability. Failure to operate this Product in a safe and responsible manner could result in injury or damage to the product or other property. This product is not intended for use by children without direct adult supervision. Do not use with incompatible components or alter this product in any way outside of the instructions provided by Horizon Hobby, LLC. This manual contains instructions for safety, operation and maintenance. It is essential to read and follow all the instructions and warnings in the manual, prior to assembly, setup or use, in order to operate correctly and avoid damage or serious injury.

**Age Recommendation: Not for children under 14 years. This is not a toy.**

**SAFETY PRECAUTIONS AND WARNINGS**

As the user of this product, you are solely responsible for operating in a manner that does not endanger yourself and others or result in damage to the product or property of others.

This model is controlled by a radio signal subject to interference from many sources outside your control. This interference can cause momentary loss of control, so it is advisable to always keep a safe distance in all directions around your model as this margin will help avoid collisions or injury.

- Never operate your model with low transmitter batteries.
- Always operate your model in open spaces away from full-size vehicles, traffic and people.
- Never operate the model in the street or in populated areas for any reason.
- Carefully follow the directions and warnings for this and any optional support equipment (chargers, rechargeable battery packs, etc.) you use.
- Keep all chemicals, small parts and anything electrical out of the reach of children.
- Never lick or place any portion of the model in your mouth as it could cause serious injury or even death.
- Exercise caution when using tools and sharp instruments.
- Take care during maintenance as some parts may have sharp edges.
- Immediately after using your model, do NOT touch equipment such as the motor, electronic speed control and battery, because they generate high temperatures. You may burn yourself seriously touching them.
- Do not put fingers or any objects inside rotating and moving parts, as this may cause damage or serious injury.
- Always turn on your transmitter before you turn on the receiver in the car. Always turn off the receiver before turning your transmitter off.
- Keep the wheels of the model off the ground when checking the operation of the radio equipment.

## TABLE OF CONTENTS

|   |   |   |    |
|---|---|---|----|
| USB Charging Warnings .....             | 4 | After Driving.....                                  | 9  |
| Charge the Vehicle Battery .....        | 4 | Binding the Transmitter and Receiver.....           | 9  |
| Transmitter Functions.....              | 5 | Receiver and ESC wiring Diagram .....               | 9  |
| Rear Steering Modes .....               | 5 | Troubleshooting.....                                | 10 |
| Servo Travel.....                       | 6 | Parts List.....                                     | 10 |
| Install the Transmitter Batteries ..... | 6 | Limited Warranty .....                              | 10 |
| Remove the Vehicle Body .....           | 6 | Warranty and Service Contact Information .....      | 12 |
| Install the Vehicle Battery.....        | 7 | FCC Information.....                                | 12 |
| Power on the Transmitter.....           | 7 | IC Information.....                                 | 12 |
| Power on the Vehicle .....              | 8 | Compliance Information for the European Union ..... | 13 |
| Test the Controls .....                 | 8 | Exploded Views .....                                | 50 |

## BOX CONTENTS

| INCLUDED COMPONENTS          |   |
|------------------------------|---|
| <b>Vehicle</b>               | AX24 XC-1 1/24th Scale RTR (AXI00003)                 |
| <b>Transmitter</b>           | SLT3 2.4 GHz 3 channel (SPMRLT310)                    |
| <b>Charger</b>               | USB LiPo Charger (DYNC1063)                           |
| <b>Vehicle Battery</b>       | 7.4V, 350mAh, 2S LiPo (DYNB0012)                      |
| <b>Motor</b>                 | SCX24 030-Motor with Pinion (DYNS1217)                |
| <b>ESC/Receiver</b>          | 2-in-1 ESC/Rx with Forward and Reverse (SPMXSE2425RX) |
| <b>Servos (2)</b>            | AS-1 Micro Servo (AXI31619)                           |
| <b>Transmitter Batteries</b> | (4) AA Alkaline                                       |

| SPECIFICATIONS          |               |
|-------------------------|---------------|
| <b>Length</b>           | 8.6" (220mm)  |
| <b>Width</b>            | 3.9" (100mm)  |
| <b>Height</b>           | 3.6" (93mm)   |
| <b>Operating Weight</b> | 8 oz (226.8g) |

## USB CHARGING WARNINGS



**WARNING:** Failure to exercise caution while using this product and comply with the following warnings could result in product malfunction, electrical issues, excessive heat, FIRE, and ultimately injury and property damage.

### • NEVER LEAVE CHARGING BATTERIES UNATTENDED.

### • NEVER CHARGE BATTERIES OVERNIGHT.

- Never attempt to charge dead, damaged or wet battery packs.
- Never attempt to charge a battery pack containing different types of batteries.
- Never allow children under 14 years of age to charge battery packs.
- Never charge batteries in extremely hot or cold places or place in direct sunlight.
- Never charge a battery if the cable has been pinched or shorted.
- Never connect the charger if the power cable has been pinched or shorted.
- Never attempt to dismantle the charger or use a damaged charger.
- Always use only rechargeable batteries designed for use with this type of charger.
- Always inspect the battery before charging.
- Always keep the battery away from any material that could be affected by heat.
- Always monitor the charging area and have a fire extinguisher available at all times.
- Always end the charging process if the battery becomes hot to the touch or starts to change form (swell) during the charge process.
- Always connect the positive leads (+) and negative leads (-) correctly.
- Always disconnect the battery after charging, and let the charger cool between charges.
- Always charge in a well-ventilated area.
- Always terminate all processes and contact Horizon Hobby if the product malfunctions.
- Charge only rechargeable batteries. Charging non-rechargeable batteries may cause the batteries to burst, resulting in injury to persons and/or damage to property.
- The USB outlet shall be installed near the equipment and shall be easily accessible.



**CAUTION:** Always ensure the battery you are charging meets the specifications of this charger. Not doing so can result in excessive heat and other related product malfunctions, which can lead to user injury or property damage. Please contact Horizon Hobby or an authorized retailer with compatibility questions.



**CAUTION:** If at any time during the charge process the battery pack becomes hot or begins to puff, disconnect the battery immediately and discontinue the charge process as batteries can cause fire, collateral damage and injuries.

## CHARGE THE VEHICLE BATTERY

Use only the included USB charger to charge the battery.

1. Connect the charger to a suitable USB power port. The charger will work with most 5V mobile power sources or smartphone chargers with at least 1 amp of power output.

**NOTICE:** Charging the battery with a USB power port with less than 1 amp of power output can produce heat.

2. Connect the charge lead to the battery, noting correct polarity. Charging a fully discharged battery takes approximately 45–60 minutes. Charge times may vary depending on the power source.
3. Remove the battery from the charger when the charging cycle is complete.
4. Remove the charger from the power supply.



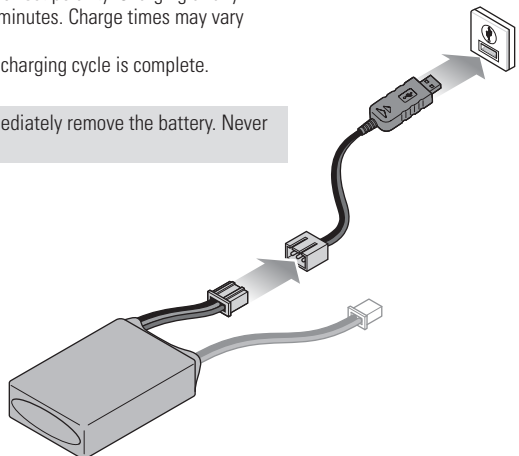
**CAUTION:** Once charging is complete, immediately remove the battery. Never leave a battery connected to the charger.

### CHARGER LED INDICATIONS

**RED, solid** = Charging

**RED, solid; GREEN, flashing** = Stand by

**GREEN, solid** = Charging complete



## TRANSMITTER FUNCTIONS

### Specifications

**Power Supply:** 4 AA Batteries

**Operating Frequency:** 2.4GHz

**Transmit Power:** <100mw

**Control Protocol:** SLT

**Control:** Proportional Steering and Throttle/Brake with Trim Knobs, Third Channel with Three Position Switch.

**Auxiliary Functions:** Three Position Throttle Limit Switch, Steering Rate Knob to Change Steering Travel on-the-fly, Programmable Servo Travel for Steering and Throttle/Brake.

### A. Throttle Trim

Adjusts the throttle neutral point.

### B. Steering Trim

Adjusts the front steering center point. Normally, the steering trim is adjusted until the vehicle tracks straight.

### C. LED

- Solid red lights: Indicates the power is ON and adequate battery power.
- Flashing red lights: Indicates the battery voltage is critically low. Replace batteries.

### D. Steering Wheel

### E. Throttle/Brake

### F. Steering Rate

On-The-Fly knob for travel adjustment on the steering.

### G. Steering Mode

3 position switch.

### H. Throttle Limit

Limits throttle output to 50/75/100%

Select 50% or 75% for less experienced drivers or when you are driving the vehicle in a small area.

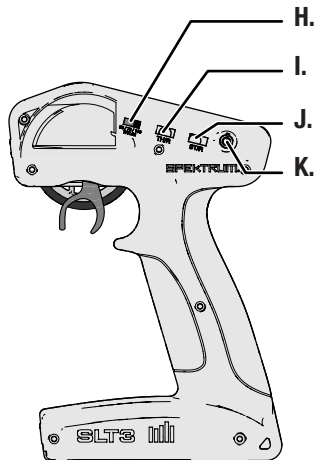
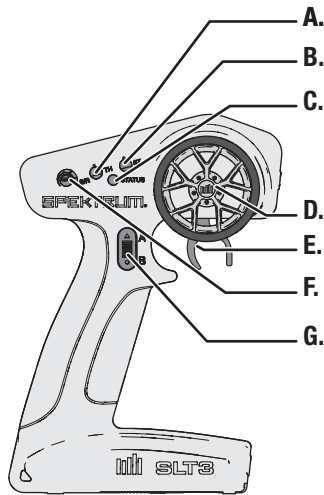
### I. Throttle (TH) Servo Reversing

Move the switch to reverse the throttle channel.

### J. Steering (ST) Servo Reversing

Move the switch to reverse the steering channel.

### K. Power Button

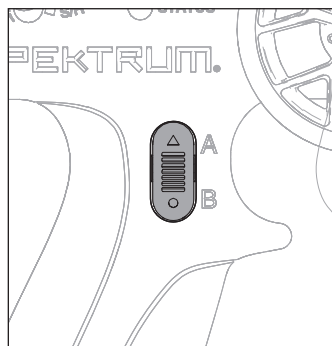


## REAR STEERING MODES

The AX24 XC-1 features both front and rear steering. There are three steering modes to manage how the rear steering responds to the steering wheel. The steering mode is selected from the transmitter with the three position switch.

**IMPORTANT:** Steering trim only affects the front wheels.

- In all modes the front wheels operate normally.
- Up is crab mode where the rear wheels steer the same direction as the front so the entire vehicle can crab sideways.
- Down is mirror mode where the rear wheels steer opposite the front wheels to tighten the turning radius.
- Center is front steer only mode, where the rear wheels do not steer.
- Press up or down on the three position switch to change from front steer only.
- When changing from one of the dual steering modes, you must first toggle back to front steer only.



## SERVO TRAVEL

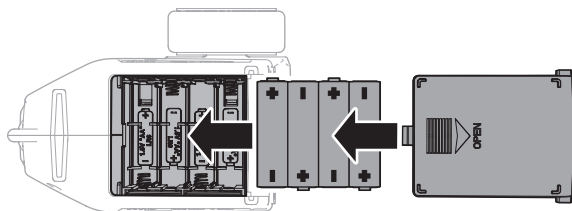
The servo travel on the Steering and Throttle channels can be adjusted through a special programming mode in the transmitter.

1. Begin with the transmitter binding process to the receiver complete. Power ON the receiver.
2. Hold full right and full brake while powering the transmitter ON to put the transmitter into programming mode.  
The LED on the transmitter will flash 4 times to indicate it is in programming mode.
3. Turn and hold the wheel full left to set the travel limit for that direction. Press the A button to increase travel, press the B button to reduce travel. The LED will flash once with every change. Return the wheel to center to set the travel value.
4. Turn the wheel to the right and repeat the process to set the steering travel to the right.
5. For electric vehicles, power the Transmitter OFF to save the settings. Calibrate your ESC to the default throttle travel.
6. For fuel powered vehicles, set the throttle travel without the engine running; After setting steering travel, you can set throttle travel with the same process. Pull and hold full throttle, adjust travel with the A and B buttons, return to center to set the value.
7. Push full brake, adjust travel with the A and B buttons, return to center.
8. Power the transmitter OFF to save the values.

**IMPORTANT:** If the value has reached the maximum or minimum that can be accepted, the LED will not flash with further input.

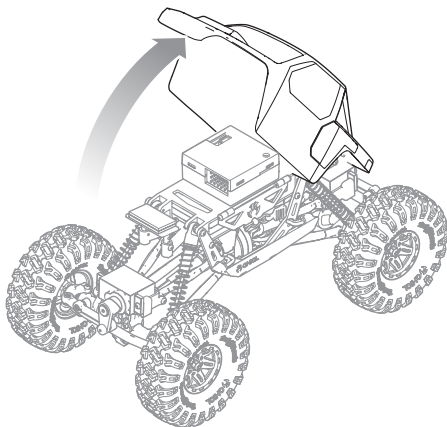
## INSTALL THE TRANSMITTER BATTERIES

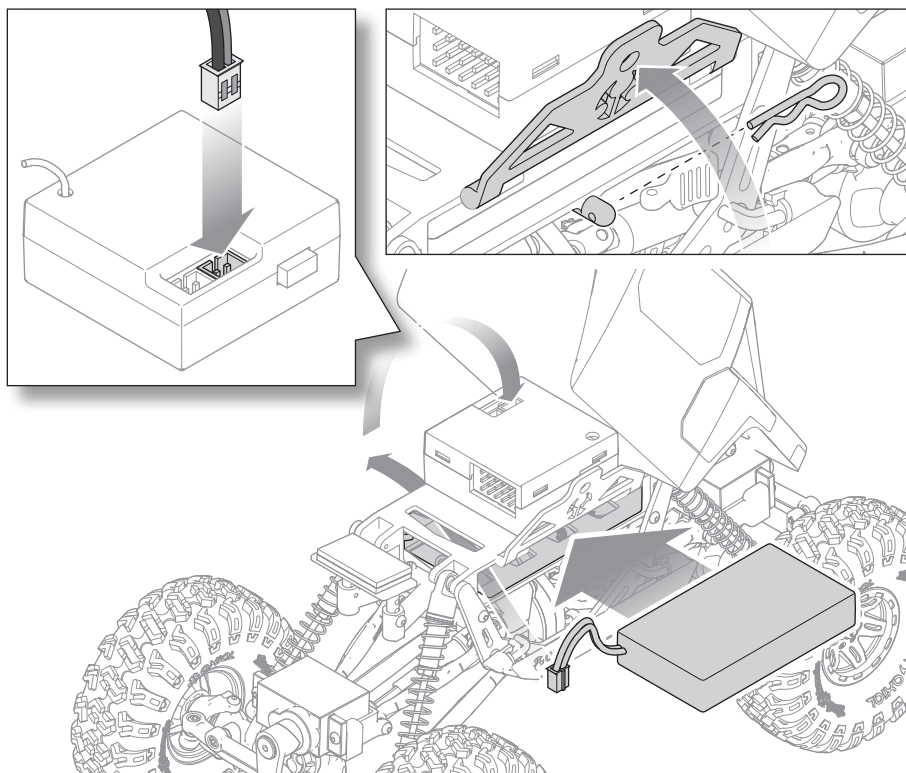
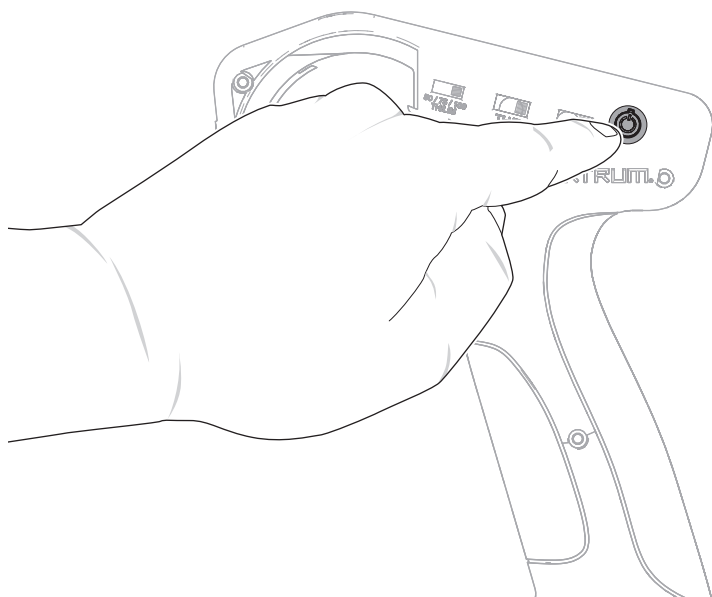
1. Press the battery compartment latch and rotate the battery cover to open.
2. Install 4 AA alkaline batteries (or Ni-Cd or Ni-MH), verifying correct polarity.
3. Close the battery cover until it latches.



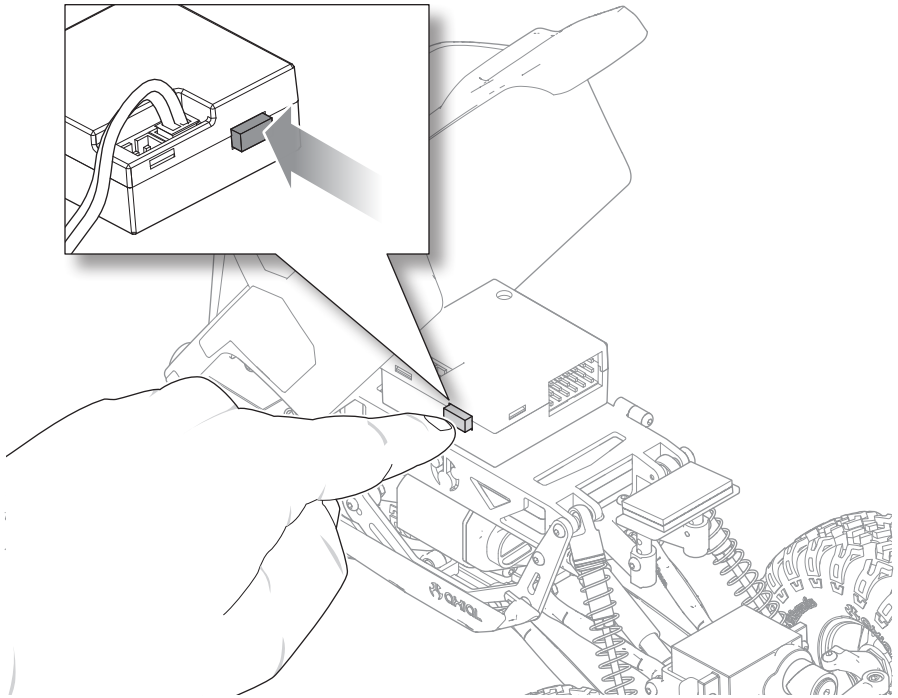
- CAUTION:** NEVER remove the transmitter batteries while the vehicle is powered ON. Loss of vehicle control, damage, or injury may occur.
- CAUTION:** If using rechargeable batteries, charge only rechargeable batteries. Charging non-rechargeable batteries may cause the batteries to burst, resulting in injury or property damage.
- CAUTION:** Risk of explosion if battery is replaced by an incorrect type. Dispose of used batteries according to state and local laws.

## REMOVE THE VEHICLE BODY

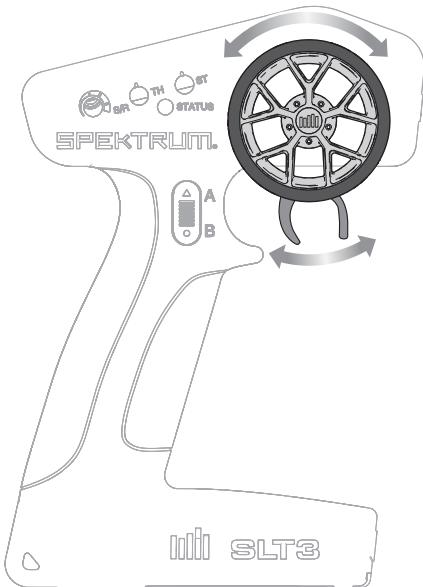


**INSTALL THE VEHICLE BATTERY****POWER ON THE TRANSMITTER**

## POWER ON THE VEHICLE



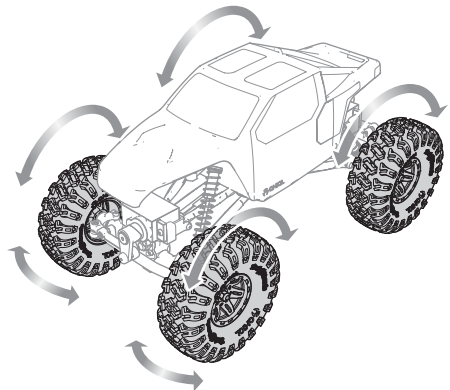
## TEST THE CONTROLS



With the vehicle wheels off the ground, test the throttle and steering controls. Ensure the wheels spin in the proper direction and the front wheels turn in the proper direction with steering input.

After checking for proper direction of controls, start driving slowly. If the vehicle does not go straight without steering input, adjust the steering trim dial on the transmitter until the vehicle holds a straight line with no steering input.

Have FUN driving your vehicle!

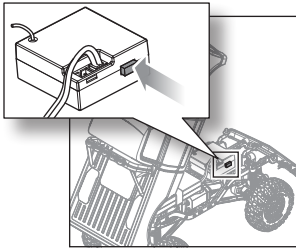




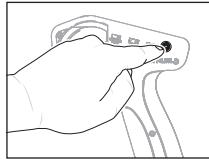
## AFTER DRIVING

When you are finished driving your vehicle:

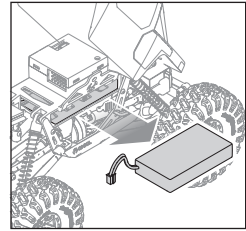
1. Power off the vehicle.



2. Power off the transmitter.



3. Remove the vehicle battery and charge if necessary.



## BINDING THE TRANSMITTER AND RECEIVER

Binding is the process of programming the receiver to recognize a specific transmitter signal, thus preventing interference from other transmitters. The transmitter and receiver included with your vehicle are bound at the factory. If you need to rebind, follow the instructions below.

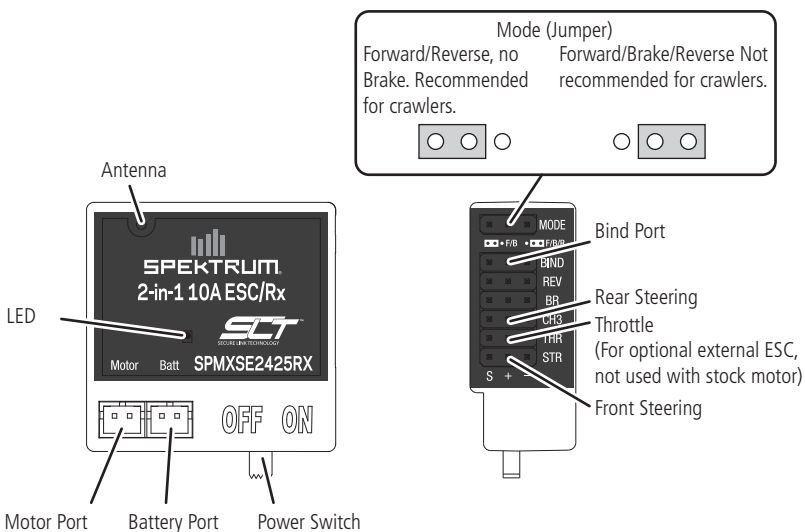
**NOTICE:** Do not attempt to bind the transmitter and receiver if any other compatible transmitters are in bind mode within approximately 400 feet (120 meters). Doing so may result in unexpected binding to the wrong transmitter and loss of control of your vehicle.

Prior to starting the binding procedure, ensure the servos and motor are connected to the proper ports on the receiver and the transmitter has fresh batteries installed.

1. Insert the bind plug into the receiver.
2. Power on the receiver. The receiver LED will flash rapidly.
3. Power on the transmitter while pressing the BIND button. The transmitter LED will flash.
4. When the LED glows solid, binding is complete.

The receiver LED will glow solid when both the transmitter and receiver are powered on. If the receiver LED flashes rapidly or is not illuminated, the transmitter and receiver are not bound. Power off both the transmitter and receiver and repeat the binding procedure.

## RECEIVER AND ESC WIRING DIAGRAM



## TROUBLESHOOTING

| PROBLEM                                       | POSSIBLE CAUSE  | SOLUTION   |
|---|---|--|
| Vehicle does not move                         | Batteries are not installed properly in the transmitter | Ensure the transmitter batteries are properly installed                                    |
|   | Weak or no battery in the vehicle                       | Install a freshly charged vehicle battery  |
|   | Damaged motor   | Replace the motor  |
|   | Frayed or broken wiring                                 | Replace any damaged wiring   |
|   | ESC is shut down by heat protection circuit             | Allow the ESC to cool down completely  |
| Loss of vehicle control                       | Improper antenna placement                              | Ensure the transmitter antenna is not blocked and the receiver antenna is located properly |
|   | Weak or no batteries in the transmitter or vehicle      | Install a freshly charged vehicle battery and new transmitter batteries                    |
|   | Neutral or trim position is incorrect                   | Adjust the steering trim   |
|   | Receiver and/or battery not connected properly          | Check all receiver and battery connections   |
| Steering and/or throttle function is reversed | Servo travel is reversed at the transmitter             | Set the transmitter servo reversing switch to the correct position                         |
|   | Motor wires are not connected properly                  | Check all motor wires for correct polarity and secure connection                           |

## PARTS LIST

|           |                                   |              |                                     |
|-----------|-----------------------------------|--------------|-------------------------------------|
| AXI200012 | XC-1 Body, Clear: AX24            | DYNS1217     | SCX24 Motor w/ Pinion               |
| AXI201004 | Chassis Set: AX24                 | SPMRS1310    | SLT3 Transmitter                    |
| AXI201005 | Body Post Set: AX24               | SPMXSE2425RX | 2-in-1 ESC and SLT Receiver         |
| AXI201006 | Rock Sliders: AX24                |              |                                     |
| AXI202001 | Driveshaft Set: AX24              |              |                                     |
| AXI203001 | Shock Set, Assembled (4pcs): AX2  |              |                                     |
| AXI204004 | Link Set: AX24                    |              |                                     |
| AXI206000 | 3mm Body Clip w/Tab Black (10pc)  |              |                                     |
| AXI206000 | 3mm Body Clip w/Tab Black (10pc)  |              |                                     |
| AXI31608  | SCX24 Transmission (Assembled)    |              |                                     |
| AXI31609  | SCX24 Front Axle (Assembled)      |              |                                     |
| AXI31619  | AS-1 Micro Servo                  |              |                                     |
| AXI40002  | 1.0 Rockster Whls Bk (4) SCX24    | AXI31567     | 1.0 Nitto Trail Grappler M/T V1 4p  |
| AXI40007  | 1.0 Rock Lizards 2.44" (62mm) (4) | AXI31610     | SCX24 Rear Axle (Assembled)         |
| AXIC1147  | AX31147 Nylon Lock Nut 2mm (10)   | AXI31615     | 1.0 KMC Machete Wheels 4pcs         |
| DYNB0012  | Battery 7.4v 350mAh 2s LiPo       | AXI40000     | 1.0 Method MR307 whls(4) SCX24      |
| DYNC1062  | USB Charger LiPo                  | AXI40001     | 1.0 BFG KrawlerT/A Tire(4):SCX2     |
|           |                                   | AXI40004     | 1.0 Nitto Trl Grapp V2 Tire(4)SCX2  |
|           |                                   | DYNH2027     | SS Screw Set: Axial SCX24           |
|           |                                   | SPMXC1050    | Smart S1500 DC Charger, 1x500W      |
|           |                                   | SPMXC2050    | Smart S155 G2 AC 1x55W Charger      |
|           |                                   | SPMXCA309    | Adapter: IC3 Battery/JST PH2.0 Dev. |

### Optional Parts:

Check the AX24 product page at [HorizonHobby.com](http://HorizonHobby.com) for the latest releases

## LIMITED WARRANTY

### What this Warranty Covers

Horizon Hobby, LLC, (Horizon) warrants to the original purchaser that the product purchased (the "Product") will be free from defects in materials and workmanship for a period of 2 years from the date of purchase.

### What is Not Covered

This warranty is not transferable and does not cover (i) cosmetic damage, (ii) damage due to acts of God, accident, misuse, abuse, negligence, commercial use, or due to improper use, installation, operation or maintenance, (iii) modification of or to any part of the Product, (iv) attempted

service by anyone other than a Horizon Hobby authorized service center, (v) Product not purchased from an authorized Horizon dealer, or (vi) Product not compliant with applicable technical regulations or (vii) use that violates any applicable laws, rules, or regulations.

OTHER THAN THE EXPRESS WARRANTY ABOVE, HORIZON MAKES NO OTHER WARRANTY OR REPRESENTATION, AND HEREBY DISCLAIMS ANY AND ALL IMPLIED WARRANTIES, INCLUDING, WITHOUT LIMITATION, THE IMPLIED WARRANTIES OF NON-INFRINGEMENT, MERCHANTABILITY AND FITNESS

FOR A PARTICULAR PURPOSE. THE PURCHASER ACKNOWLEDGES THAT THEY ALONE HAVE DETERMINED THAT THE PRODUCT WILL SUITABLY MEET THE REQUIREMENTS OF THE PURCHASER'S INTENDED USE.

### **Purchaser's Remedy**

Horizon's sole obligation and purchaser's sole and exclusive remedy shall be that Horizon will, at its option, either (i) service, or (ii) replace, any Product determined by Horizon to be defective. Horizon reserves the right to inspect any and all Product(s) involved in a warranty claim. Service or replacement decisions are at the sole discretion of Horizon. Proof of purchase is required for all warranty claims. SERVICE OR REPLACEMENT AS PROVIDED UNDER THIS WARRANTY IS THE PURCHASER'S SOLE AND EXCLUSIVE REMEDY.

### **Limitation of Liability**

HORIZON SHALL NOT BE LIABLE FOR SPECIAL, INDIRECT, INCIDENTAL OR CONSEQUENTIAL DAMAGES, LOSS OF PROFITS OR PRODUCTION OR COMMERCIAL LOSS IN ANY WAY, REGARDLESS OF WHETHER SUCH CLAIM IS BASED IN CONTRACT, WARRANTY, TORT, NEGLIGENCE, STRICT LIABILITY OR ANY OTHER THEORY OF LIABILITY, EVEN IF HORIZON HAS BEEN ADVISED OF THE POSSIBILITY OF SUCH DAMAGES. Further, in no event shall the liability of Horizon exceed the individual price of the Product on which liability is asserted. As Horizon has no control over use, setup, final assembly, modification or misuse, no liability shall be assumed nor accepted for any resulting damage or injury. By the act of use, setup or assembly, the user accepts all resulting liability. If you as the purchaser or user are not prepared to accept the liability associated with the use of the Product, purchaser is advised to return the Product immediately in new and unused condition to the place of purchase.

### **Law**

These terms are governed by Illinois law (without regard to conflict of law principals). This warranty gives you specific legal rights, and you may also have other rights which vary from state to state. Horizon reserves the right to change or modify this warranty at any time without notice.

## **WARRANTY SERVICES**

### **Questions, Assistance, and Services**

Your local hobby store and/or place of purchase cannot provide warranty support or service. Once assembly, setup or use of the Product has been started, you must contact your local distributor or Horizon directly. This will enable Horizon to better answer your questions and service you in the event that you may need any assistance. For questions or assistance, please visit our website at [www.horizonhobby.com](http://www.horizonhobby.com), submit a Product Support Inquiry, or call the toll free telephone number referenced in the Warranty and Service Contact Information section to speak with a Product Support representative.

### **Inspection or Services**

If this Product needs to be inspected or serviced and is compliant in the country you live and use the Product in, please use the Horizon Online Service Request submission process found on our website or call Horizon to obtain a Return Merchandise Authorization (RMA) number. Pack

the Product securely using a shipping carton. Please note that original boxes may be included, but are not designed to withstand the rigors of shipping without additional protection. Ship via a carrier that provides tracking and insurance for lost or damaged parcels, as Horizon is not responsible for merchandise until it arrives and is accepted at our facility. An Online Service Request is available at [http://www.horizonhobby.com/content/service-center\\_render-service-center](http://www.horizonhobby.com/content/service-center_render-service-center). If you do not have internet access, please contact Horizon Product Support to obtain a RMA number along with instructions for submitting your product for service. When calling Horizon, you will be asked to provide your complete name, street address, email address and phone number where you can be reached during business hours. When sending product into Horizon, please include your RMA number, a list of the included items, and a brief summary of the problem. A copy of your original sales receipt must be included for warranty consideration. Be sure your name, address, and RMA number are clearly written on the outside of the shipping carton.

**NOTICE:** Do not ship Li-Po batteries to Horizon. If you have any issue with a Li-Po battery, please contact the appropriate Horizon Product Support office.

### **Warranty Requirements**

For Warranty consideration, you must include your original sales receipt verifying the proof-of-purchase date. Provided warranty conditions have been met, your Product will be serviced or replaced free of charge. Service or replacement decisions are at the sole discretion of Horizon.

### **Non-Warranty Service**

Should your service not be covered by warranty, service will be completed and payment will be required without notification or estimate of the expense unless the expense exceeds 50% of the retail purchase cost. By submitting the item for service you are agreeing to payment of the service without notification. Service estimates are available upon request. You must include this request with your item submitted for service. Non-warranty service estimates will be billed a minimum of 1/2 hour of labor. In addition you will be billed for return freight. Horizon accepts money orders and cashier's checks, as well as Visa, MasterCard, American Express, and Discover cards. By submitting any item to Horizon for service, you are agreeing to Horizon's Terms and Conditions found on our website [http://www.horizonhobby.com/content/service-center\\_render-service-center](http://www.horizonhobby.com/content/service-center_render-service-center).

**ATTENTION: Horizon service is limited to Product compliant in the country of use and ownership. If received, a non-compliant Product will not be serviced. Further, the sender will be responsible for arranging return shipment of the un-serviced Product, through a carrier of the sender's choice and at the sender's expense. Horizon will hold non-compliant Product for a period of 60 days from notification, after which it will be discarded.**

## WARRANTY AND SERVICE CONTACT INFORMATION

| Country of Purchase      | Horizon Hobby   | Contact Information                             | Address  |
|--------------------------|---|---|--|
| United States of America | Horizon Service Center<br>(Repairs and Repair Requests)   | servicecenter.horizonhobby.com/RequestForm/     | 2904 Research Rd<br>Champaign, IL 61822          |
|                          | Horizon Product Support<br>(Product Technical Assistance) | productsupport@horizonhobby.com<br>877-504-0233 |  |
|                          | Sales   | websales@horizonhobby.com<br>800-338-4639       |  |
| European Union           | Horizon Technischer Service                               | service@horizonhobby.eu                         | Hanskampring 9<br>D 22885 Barsbüttel,<br>Germany |
|                          | Sales: Horizon Hobby GmbH                                 | +49 (0) 4121 2655 100                           |  |

## FCC INFORMATION

### FCC ID: BRWSPMSLT300

This equipment complies with FCC and IC radiation exposure limits set forth for an uncontrolled environment. This equipment should be installed and operated with minimum distance 20cm between the radiator and/or antenna and your body (excluding fingers, hands, wrists, ankles and feet). This transmitter must not be co-located or operating in conjunction with any other antenna or transmitter.

### Supplier's Declaration of Conformity

#### Axial AX24 XC-1 1/24 4WD RTR (AXI00003T1/T2)

**FCC** This device complies with part 15 of the FCC Rules. Operation is subject to the following two conditions: (1) This device may not cause harmful interference, and (2) this device must accept any interference received, including interference that may cause undesired operation.



**CAUTION:** Changes or modifications not expressly approved by the party responsible for compliance could void the user's authority to operate the equipment.

**NOTE:** This equipment has been tested and found to comply with the limits for a Class B digital device, pursuant to part 15 of the FCC Rules. These limits are designed to provide reasonable protection against

harmful interference in a residential installation. This equipment generates, uses and can radiate radio frequency energy and, if not installed and used in accordance with the instructions, may cause harmful interference to radio communications. However, there is no guarantee that interference will not occur in a particular installation. If this equipment does cause harmful interference to radio or television reception, which can be determined by turning the equipment off and on, the user is encouraged to try to correct the interference by one or more of the following measures:

- Reorient or relocate the receiving antenna.
- Increase the separation between the equipment and receiver.
- Connect the equipment into an outlet on a circuit different from that to which the receiver is connected.
- Consult the dealer or an experienced radio/TV technician for help.

Horizon Hobby, LLC  
2904 Research Road,  
Champaign, IL 61822  
Email: compliance@horizonhobby.com  
Web: HorizonHobby.com

## IC INFORMATION

### IC: 6157A-SPMSLT300

#### CAN ICES-3 (B)/NMB-3(B)

This device contains license-exempt transmitter(s)/ receiver(s) that comply with Innovation, Science, and Economic Development Canada's license-exempt RSS(s). Operation is subject to the following 2 conditions:

1. This device may not cause interference.
2. This device must accept any interference, including interference that may cause undesired operation of the device.

## COMPLIANCE INFORMATION FOR THE EUROPEAN UNION



### EU Compliance Statement:

#### Axial AX24 XC-1 1/24 4WD RTR

(AXI00003T1/T2); Hereby, Horizon Hobby,

LLC declares that the device is in compliance with the following: EU Low Voltage Directive 2014/35/EU; EU EMC Directive 2014/30/EU; EU Radio Equipment Directive 2014/53/EU; RoHS 2 Directive 2011/65/EU; RoHS 3 Directive - Amending 2011/65/EU Annex II 2015/863.

The full text of the EU declaration of conformity is available at the following internet address: <https://www.horizonhobby.com/content/support-render-compliance>.

**NOTE:** This product contains batteries that are covered under the 2006/66/EC European Directive, which cannot be disposed of with normal household waste. Please follow local regulations.

### Wireless Frequency Range and Wireless Output Power

#### Transmitter

2403-2480MHz

16.3 dBm



E328

### EU Manufacturer of Record:

Horizon Hobby, LLC  
2904 Research Road  
Champaign, IL 61822 USA

### EU Importer of Record:

Horizon Hobby, GmbH  
Hanskampring 9  
22885 Barsbüttel Germany

### WEEE NOTICE:

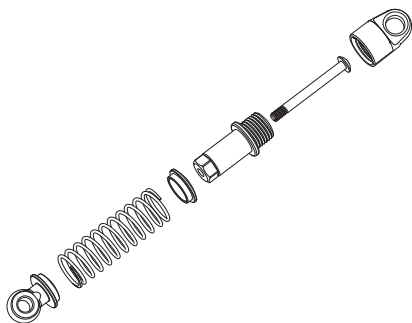


This appliance is labeled in accordance with European Directive 2012/19/EU concerning waste of electrical and electronic equipment (WEEE). This label indicates that this product should not be disposed of with household waste. It should be deposited at an appropriate facility to enable recovery and recycling.

# EXPLODED VIEWS // EXPLOSIONSZEICHNUNGEN // VUES ÉCLATÉES // VISTE ESPOSE

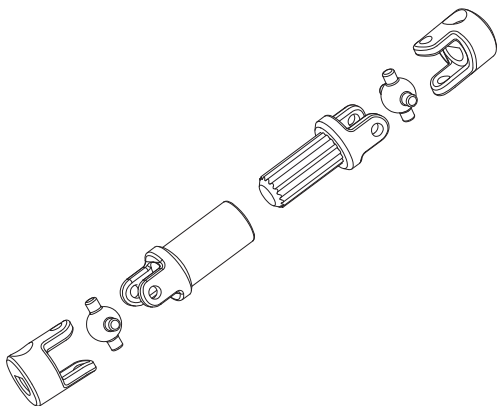
## AXI203001

AX24 Shock Set (assembled)  
AX24 Stoßdämpfersatz (montiert)  
Ensemble d'amortisseurs AX24 (assemblés)  
AX24 Set ammortizzatori (assemblati)



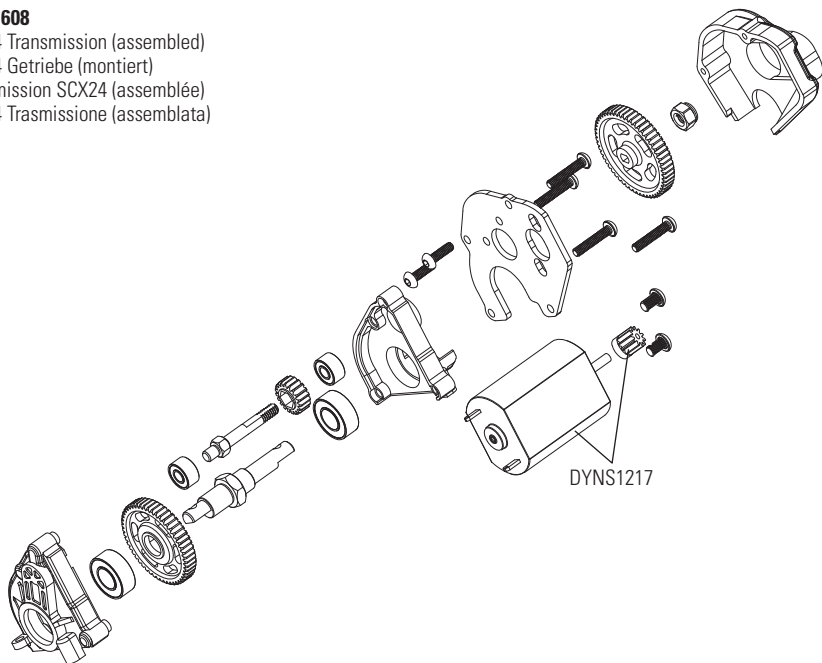
## AXI202001

Driveshaft Set: AX24  
Antriebswellensatz: AX24  
Ensemble d'arbre  
de transmission: AX24  
Set albero di trasmissione: AX24



## AXI31608

SCX24 Transmission (assembled)  
SCX24 Getriebe (montiert)  
Transmission SCX24 (assemblée)  
SCX24 Trasmissione (assemblata)



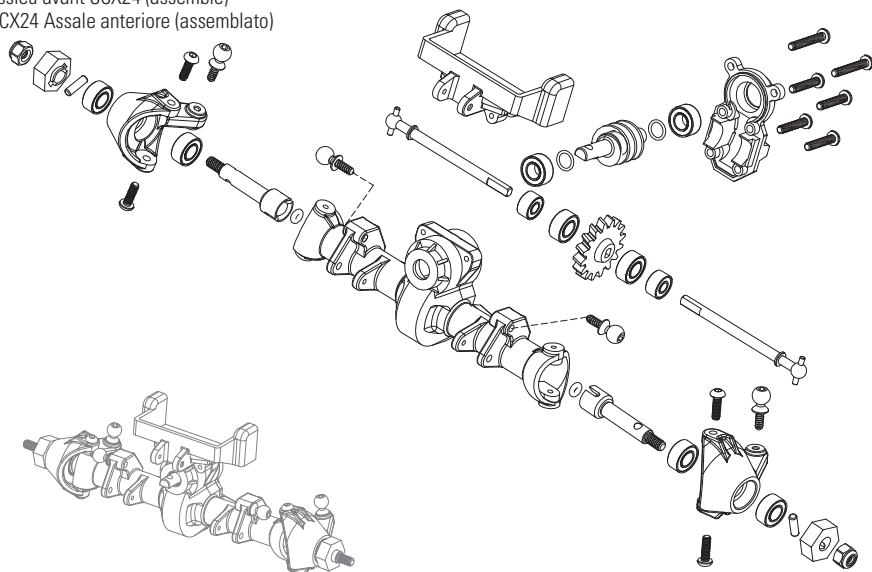
### AXI31609

SCX24 Front Axle (assembled)

SCX24 Vorderachse (montiert)

Essieu avant SCX24 (assemblé)

SCX24 Assale anteriore (assemblato)



### AXI204004

Link Set: AX24

Verbindungssatz: AX24

Jeu de liens : AX24

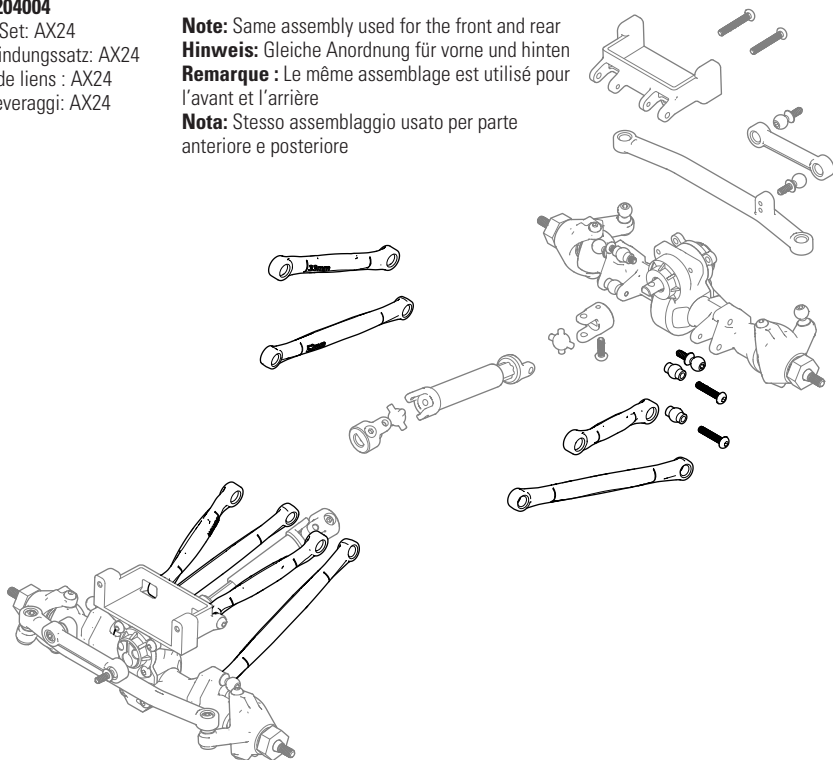
Kit leveraggi: AX24

**Note:** Same assembly used for the front and rear

**Hinweis:** Gleiche Anordnung für vorne und hinten

**Remarque :** Le même assemblage est utilisé pour l'avant et l'arrière

**Nota:** Stesso assemblaggio usato per parte anteriore e posteriore



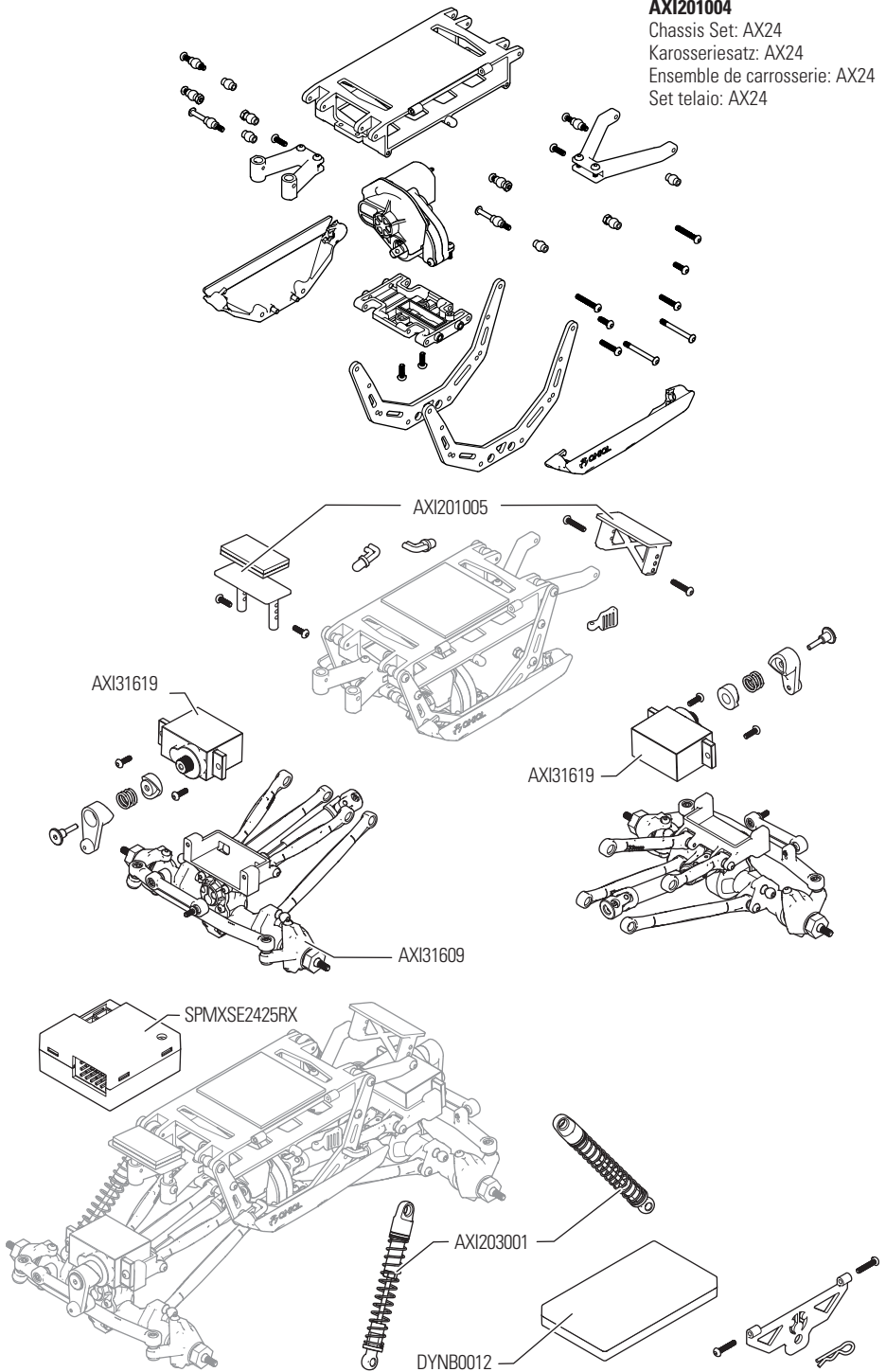
**AXI201004**

Chassis Set: AX24

Karosseriesatz: AX24

Ensemble de carrosserie: AX24

Set telaio: AX24





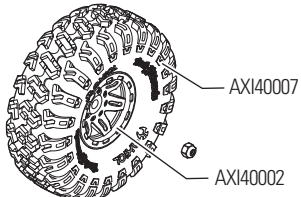
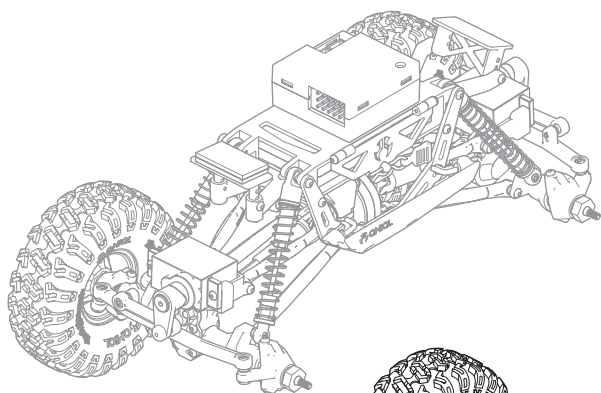
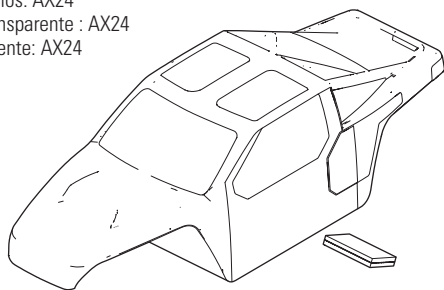
**AXI200012**

XC-1 Body, Clear: AX24

XC-1 Karosserie, farblos: AX24

Carrosserie XC-1, transparente : AX24

Scocca XC-1, trasparente: AX24





## BUILD ADVENTURE

[facebook.com/axialinc](https://facebook.com/axialinc) | [instagram.com/axialadventure](https://instagram.com/axialadventure)  
[twitter.com/axialrc](https://twitter.com/axialrc) | [youtube.com/axialvideos](https://youtube.com/axialvideos)



©2022 Horizon Hobby, LLC.

Axial, the Axial logo, SCX24, and the Horizon Hobby logo are trademarks or registered trademarks of Horizon Hobby, LLC.

Nitto<sup>®</sup> and Trail Grappler<sup>®</sup> are registered trademarks of Nitto Tire U.S.A., Inc.

KMC Wheels name and logo are trademarks or registered trademarks of WheelPros, LLC and are used under license.

All other trademarks, service marks and logos are property of their respective owners.

Updated 10/22

AXI00003T1/T2

443292.2