

Name: _____	Date: _____ Event: _____
City: _____ State: _____	Track: _____
Track Conditions: <input type="checkbox"/> Indoor <input type="checkbox"/> Tight <input type="checkbox"/> Smooth <input type="checkbox"/> Hard Packed <input type="checkbox"/> Blue Groove <input type="checkbox"/> Wet <input type="checkbox"/> Low Bite <input type="checkbox"/> High Bite <input type="checkbox"/> Outdoor <input type="checkbox"/> Open <input type="checkbox"/> Rough <input type="checkbox"/> Loose/Loamy <input type="checkbox"/> Dry <input type="checkbox"/> Dusty <input type="checkbox"/> Med Bite <input type="checkbox"/> Other _____	

**Front Suspension**

Toe: \_\_\_\_\_

Ride Height: \_\_\_\_\_

Camber: \_\_\_\_\_

Caster Block:  17.5  20

Spindle Height:  High  Low

Wheel Hex: \_\_\_\_\_

Sway Bar: \_\_\_\_\_

Piston/Oil: \_\_\_\_\_

Shock Type:  Bladder  Emulsion  Vented

Spring: \_\_\_\_\_

Pills: A \_\_\_\_\_ B \_\_\_\_\_

Overall Shock Length: \_\_\_\_\_

Drag Link/Ackerman: \_\_\_\_\_

Bump Spindle: \_\_\_\_\_ Link: \_\_\_\_\_

Camber Link: \_\_\_\_\_

Shock Location: \_\_\_\_\_

Receiver Battery Type: \_\_\_\_\_

Weight: \_\_\_\_\_

**Differentials**

Front:  Standard  Smart

Spring Wire Dia. \_\_\_\_\_

Qty of Springs: \_\_\_\_\_

Ramp Plate: \_\_\_\_\_

Grease: \_\_\_\_\_

Diff Fluid: \_\_\_\_\_

Center:  Standard  Smart

Spring Wire Dia.: \_\_\_\_\_

Qty of Springs: \_\_\_\_\_

Ramp Plate: \_\_\_\_\_

Grease: \_\_\_\_\_

Diff Fluid: \_\_\_\_\_

**Drive Shaft**

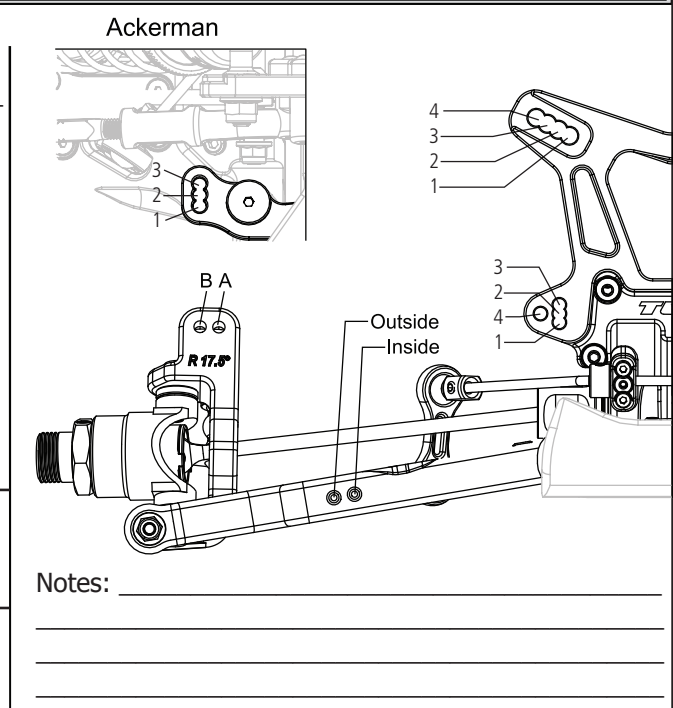
Front:  CVA  UNI

Rear:  CVA  UNI

**Arm Inserts**

Front:  None  Plastic  Carbon

Rear:  None  Plastic  Carbon



**Rear Suspension**

Shocks:  FWD  Back Shock Shaft:  3.5  4.0

Toe/D Pill: \_\_\_\_\_

Anti-Squat/C Pill: \_\_\_\_\_

Ride Height: \_\_\_\_\_

Camber: \_\_\_\_\_

Rear Hub Spacing: \_\_\_\_\_

Hub Height:  A  B  Other \_\_\_\_\_

Wheel Hex: \_\_\_\_\_

Sway Bar: \_\_\_\_\_

Piston/Oil: \_\_\_\_\_

Shock Type:  Bladder  Emulsion  Vented

Spring: \_\_\_\_\_

Stroke: \_\_\_\_\_

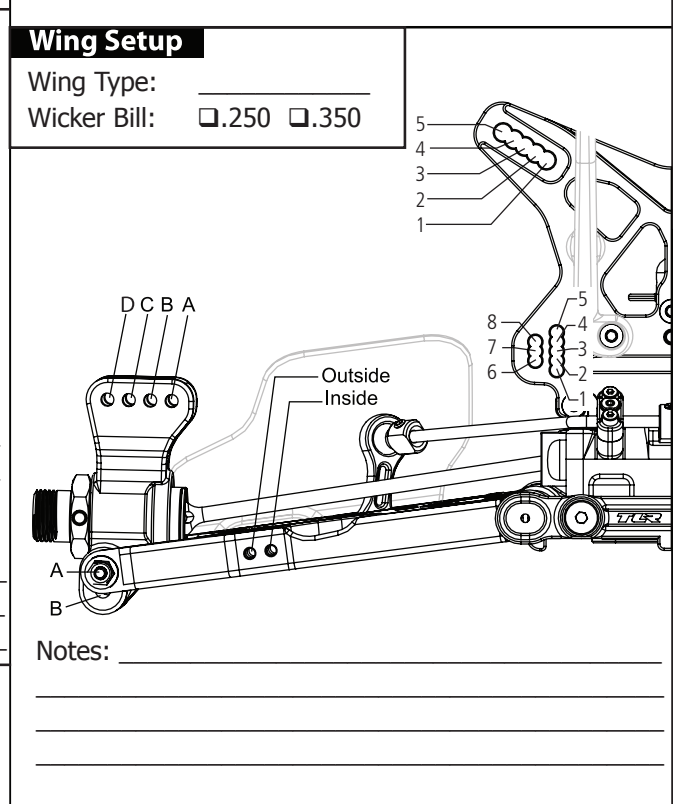
Overall Shock Length: \_\_\_\_\_

Camber Link: \_\_\_\_\_

Shock Position: \_\_\_\_\_

Rear Diff Fluid: \_\_\_\_\_

Weight: \_\_\_\_\_



**Engine**

Engine: \_\_\_\_\_ Fuel: \_\_\_\_\_

Glow Plug: \_\_\_\_\_ Head Clearance \_\_\_\_\_

Pipe/Header: \_\_\_\_\_ Gearing: \_\_\_\_\_

**Clutch**

Clutch Shoes and Springs Info

\_\_\_\_\_

\_\_\_\_\_

\_\_\_\_\_

\_\_\_\_\_

**Tires**

Type	Compound	Insert
Front: _____	_____	_____
Rear: _____	_____	_____
Notes: _____		